



US00D589091S

(12) **United States Design Patent**
Ikeda

(10) **Patent No.:** **US D589,091 S**
(45) **Date of Patent:** **** Mar. 24, 2009**

(54) **CAP OF PEN**

(75) Inventor: **Akinori Ikeda**, Tokyo (JP)

(73) Assignee: **Kabushiki Kaisha Pilot Corporation**,
Tokyo (JP)

(**) Term: **14 Years**

(21) Appl. No.: **29/302,752**

(22) Filed: **Jan. 24, 2008**

(30) **Foreign Application Priority Data**

Aug. 2, 2007 (JP) 2007-021080

(51) **LOC (9) Cl.** **19-06**

(52) **U.S. Cl.** **D19/57**

(58) **Field of Classification Search** D19/35,
D19/36, 41–51, 53–57; 24/11 R, 11 F, 11 P;
401/52, 99, 100, 104–109, 192, 195, 196
See application file for complete search history.

(56) **References Cited**

U.S. PATENT DOCUMENTS

- D227,611 S * 7/1973 Carre D19/48
- D317,625 S * 6/1991 Itoh D19/57
- D321,718 S * 11/1991 Ambasz D19/48
- D335,142 S * 4/1993 Katami et al. D19/57
- D335,145 S * 4/1993 Katami et al. D19/57
- D349,297 S * 8/1994 Shimizu D19/57
- D395,449 S * 6/1998 Bussiere et al. D19/57
- D402,991 S * 12/1998 Mosser D14/230
- D414,203 S * 9/1999 Stukenkemper D19/48

- D431,598 S * 10/2000 Kim et al. D19/36
- D565,658 S * 4/2008 Sato D19/57
- D571,858 S * 6/2008 Mayne D19/57

FOREIGN PATENT DOCUMENTS

- JP 895856 S 4/1994
- JP 897770 S 5/1994

* cited by examiner

Primary Examiner—Elizabeth A Albert

(74) *Attorney, Agent, or Firm*—Sughrue Mion, PLLC

(57) **CLAIM**

The ornamental design for a cap of pen, as shown and described.

DESCRIPTION

FIG. 1 is a perspective view of the top, front and left side of a cap of pen showing my new design;

FIG. 2 is a front elevational view thereof;

FIG. 3 is a top plan view thereof;

FIG. 4 is a bottom plan view thereof;

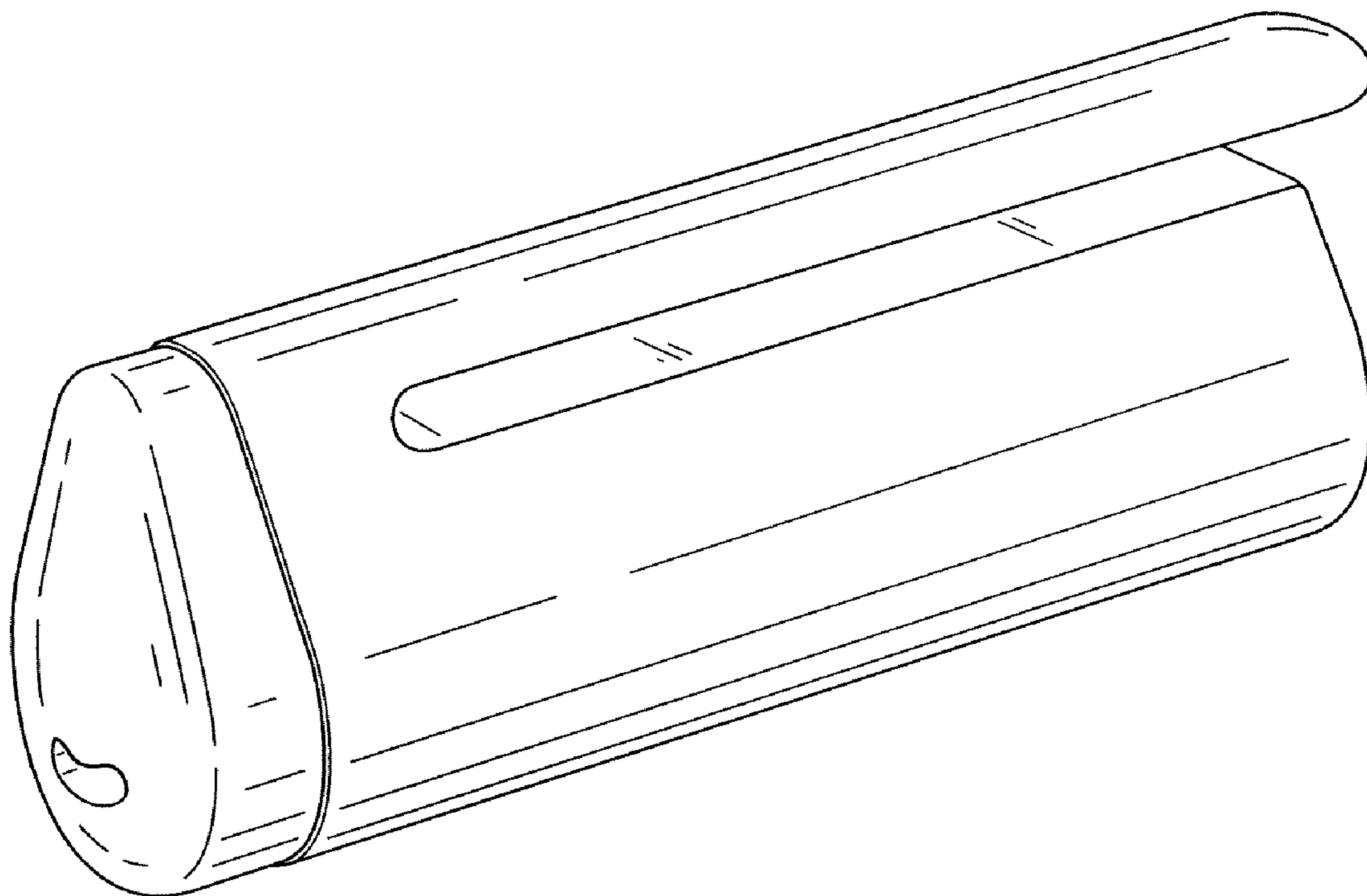
FIG. 5 is a left side elevational view thereof;

FIG. 6 is a right side elevational view thereof; and,

FIG. 7 is a cross-sectional view thereof at 7—7 in FIG. 3.

The broken lines showing inside portions of the cap of pen in FIG. 6 are included for the purpose of illustrating environment and form no part of the claimed design.

1 Claim, 3 Drawing Sheets



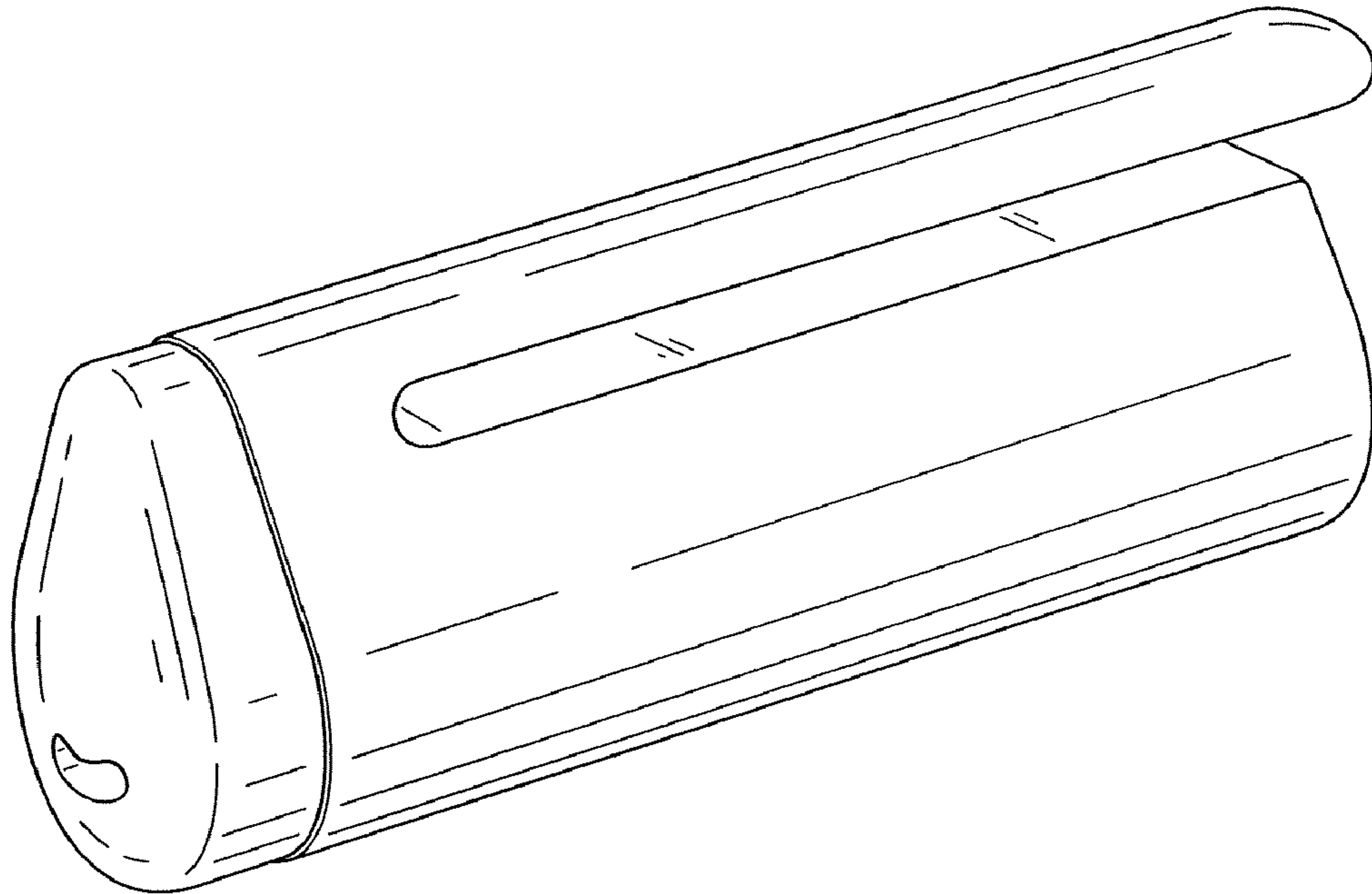


FIG. 1

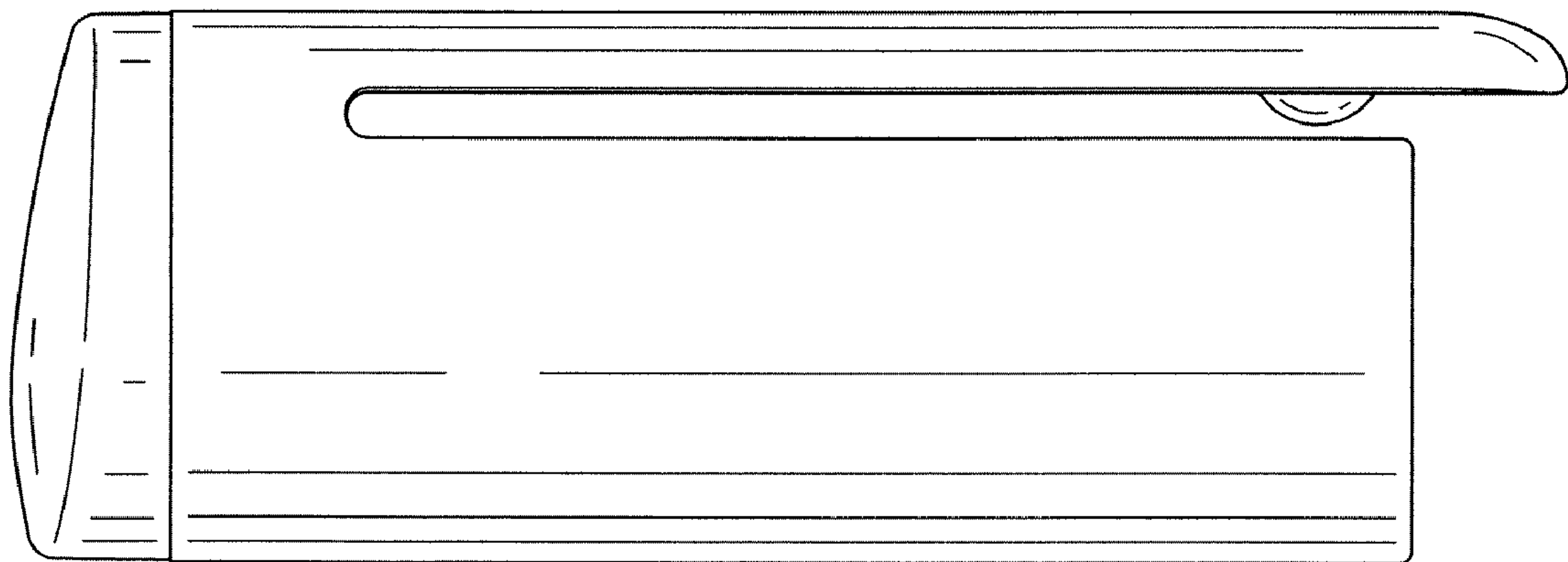


FIG. 2

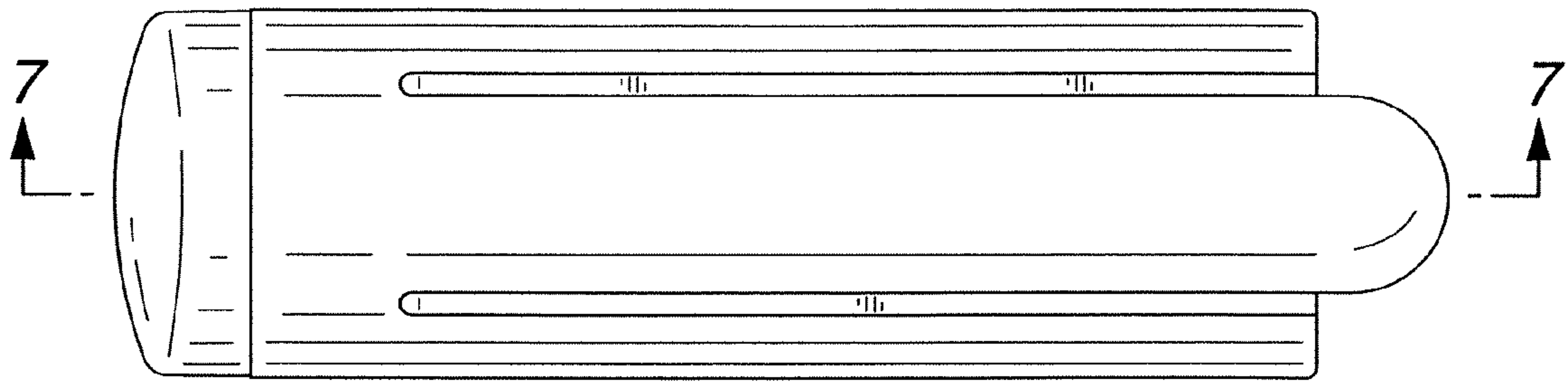


FIG. 3

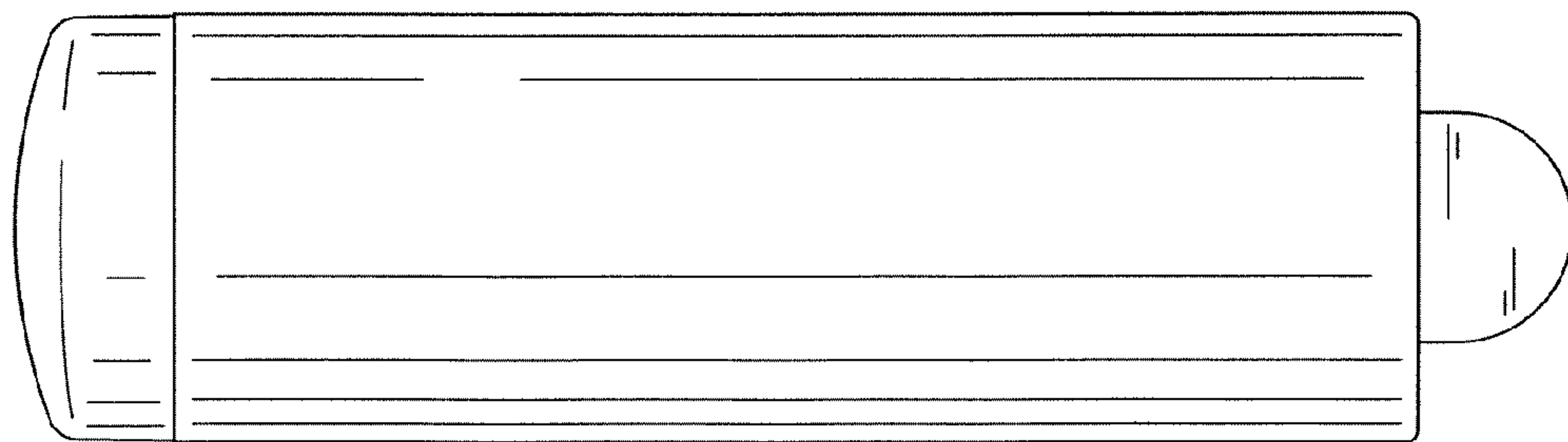


FIG. 4

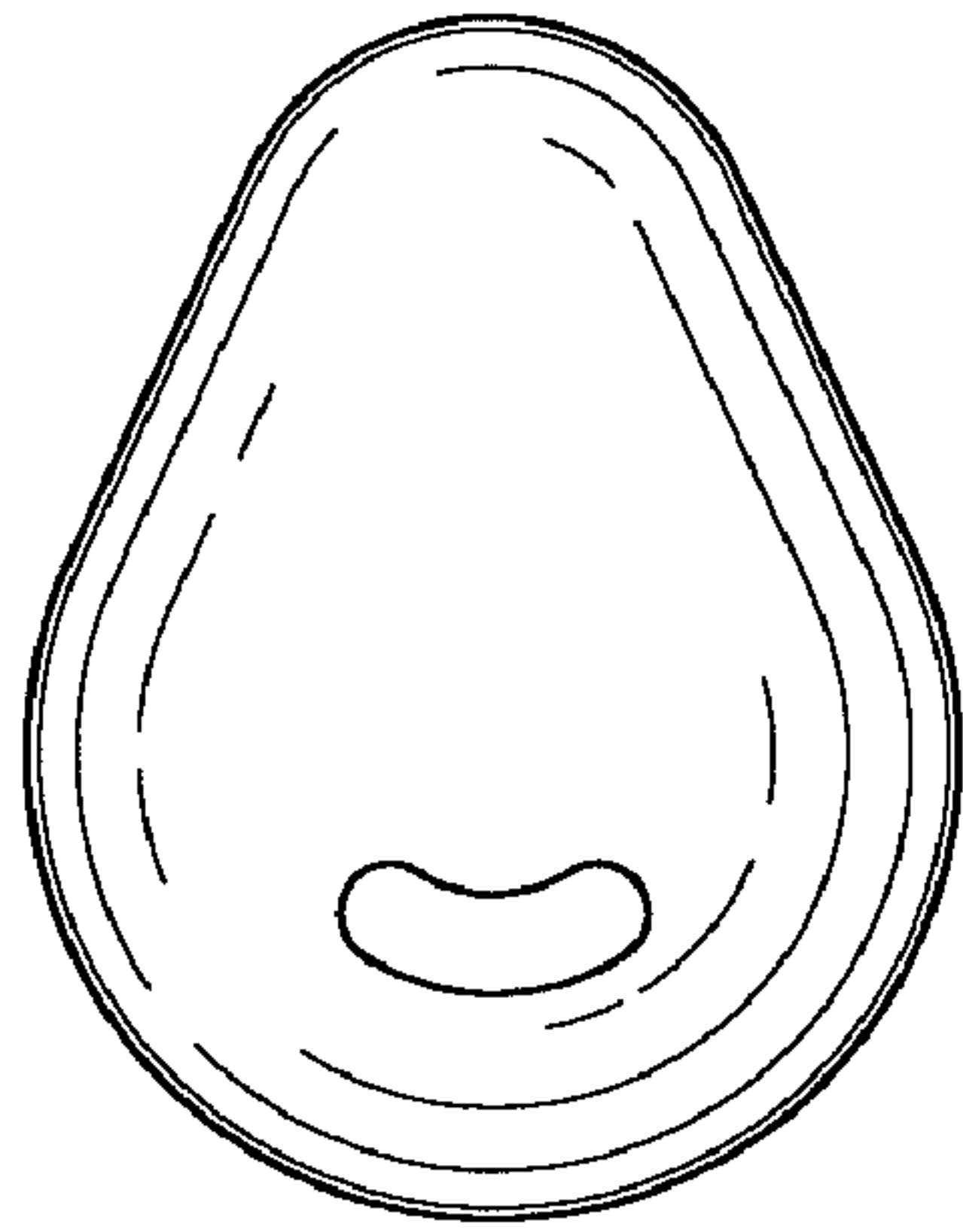


FIG. 5

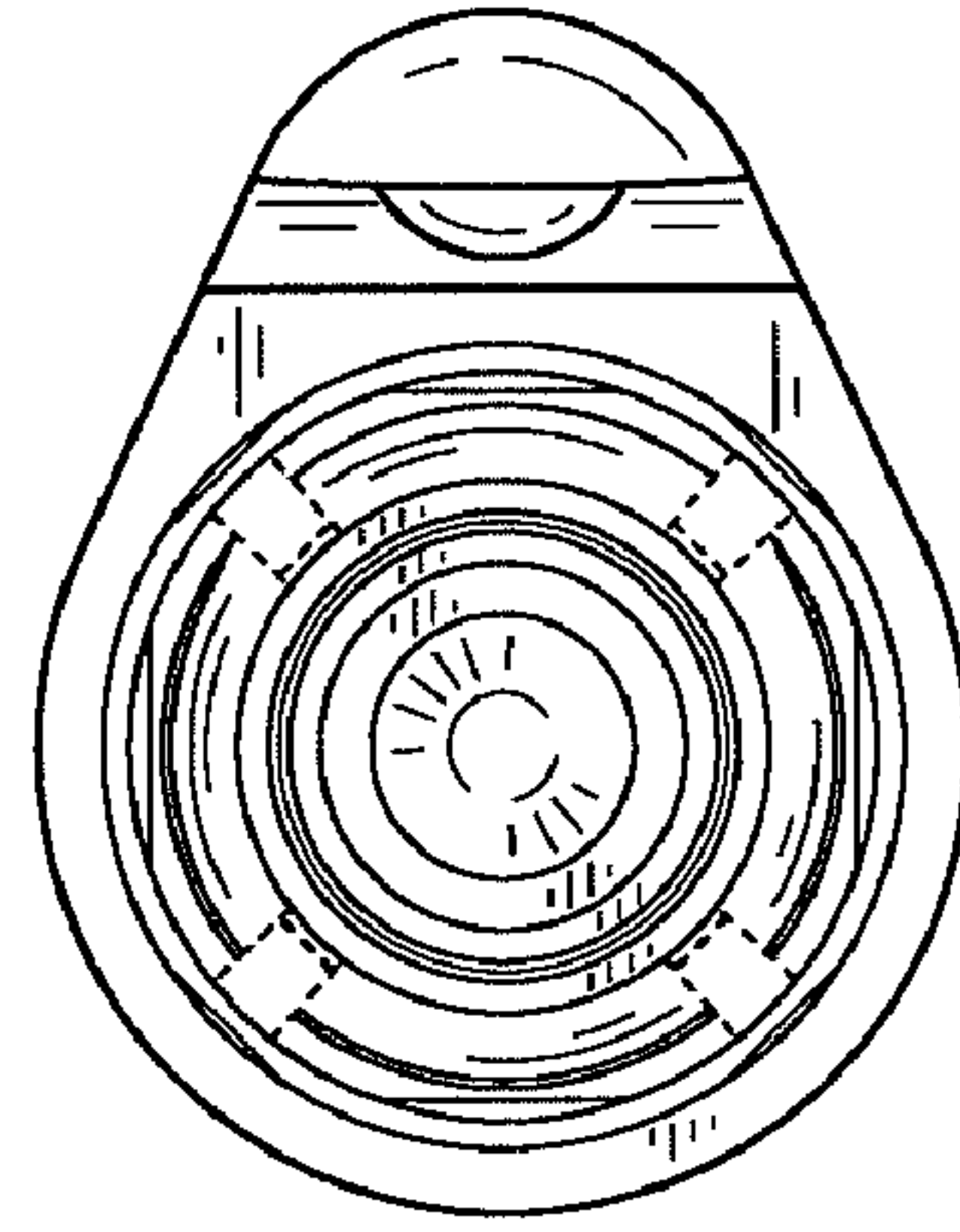


FIG. 6

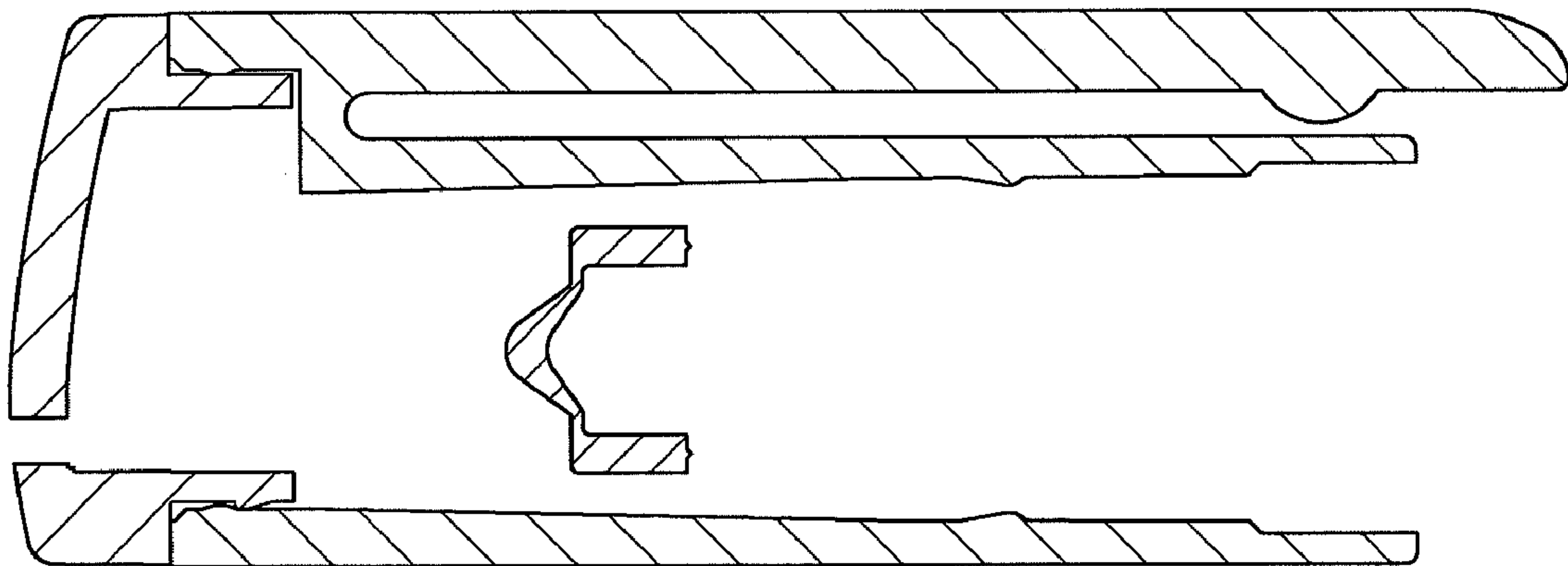


FIG. 7