



US00D589080S

(12) **United States Design Patent**
Flanagan

(10) **Patent No.:** **US D589,080 S**
(45) **Date of Patent:** **** Mar. 24, 2009**

(54) **SUNGLASSES**

(76) **Inventor:** **Mark James Flanagan**, 4223 Buena Vista St., #7, Dallas, TX (US) 75205

(**) **Term:** **14 Years**

(21) **Appl. No.:** **29/326,032**

(22) **Filed:** **Oct. 10, 2008**

(51) **LOC (9) Cl.** **16-06**

(52) **U.S. Cl.** **D16/326**

(58) **Field of Classification Search** D16/101, D16/300-342; D29/109-110; D24/110.2; 351/41, 44, 51-52, 62, 158, 92, 103-123, 351/140, 153; 2/426-432, 447-449, 441, 2/434-437; D21/483, 659-661

See application file for complete search history.

(56) **References Cited**

U.S. PATENT DOCUMENTS

D383,772 S *	9/1997	Atabeyki	D16/326
D403,345 S *	12/1998	Flanagan	D16/327
D423,551 S *	4/2000	Lamy	D16/326
D424,597 S *	5/2000	Conway	D16/326
D435,264 S *	12/2000	Yeh	D16/326
D450,078 S *	11/2001	Lee	D16/326
D481,062 S *	10/2003	Lane	D16/326
D481,063 S *	10/2003	Lane	D16/326
D481,751 S *	11/2003	Stables	D16/321
D523,464 S *	6/2006	Yang	D16/326

D525,278 S *	7/2006	Krefman	D16/326
D556,245 S *	11/2007	Lane	D16/326
D556,247 S *	11/2007	Hsu	D16/326
D557,324 S *	12/2007	Moody	D16/319
D558,254 S *	12/2007	Hsu	D16/326

* cited by examiner

Primary Examiner—Raphael Barkai

(74) *Attorney, Agent, or Firm*—Allen Dyer Doppelt Milbrath & Gilchrist

(57) **CLAIM**

The ornamental design for sunglasses, as shown and described.

DESCRIPTION

FIG. 1 is a front perspective view of sunglasses in accordance with this invention.

FIG. 2 is a bottom view of the design shown in FIG. 1;

FIG. 3 is a front view of the design shown in FIGS. 1 and 2;

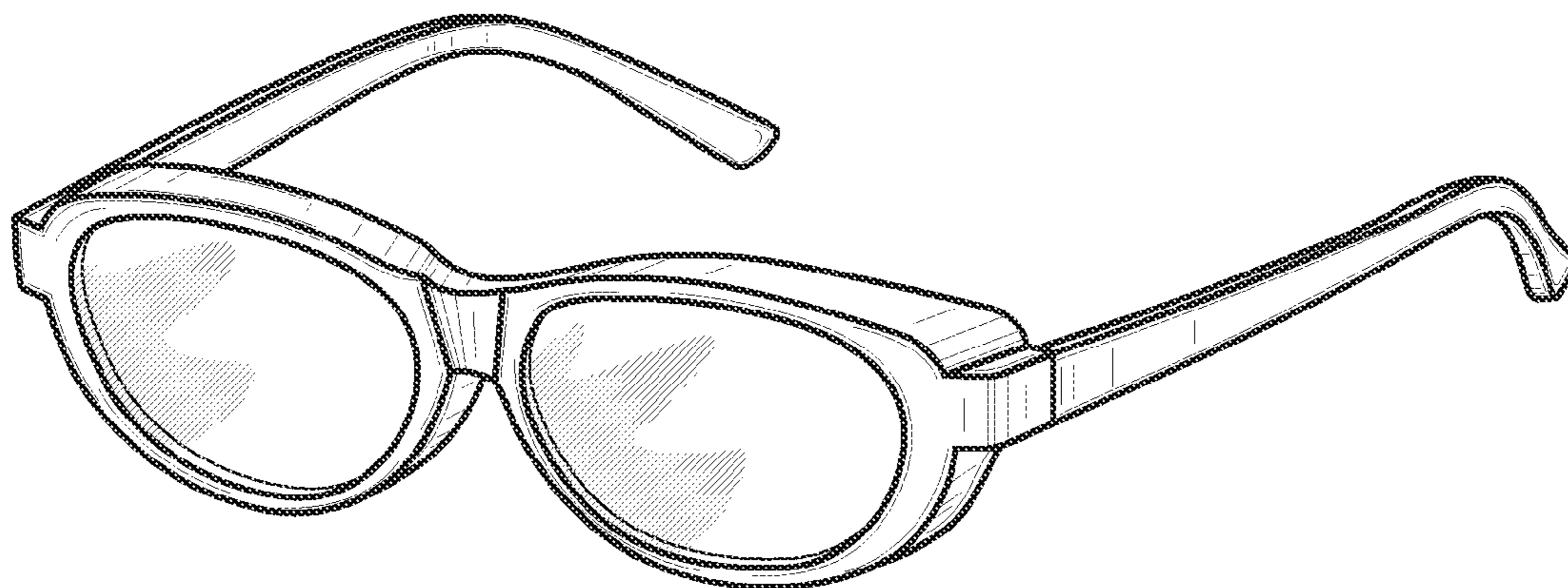
FIG. 4 is a right side view of the design shown in FIGS. 1-3;

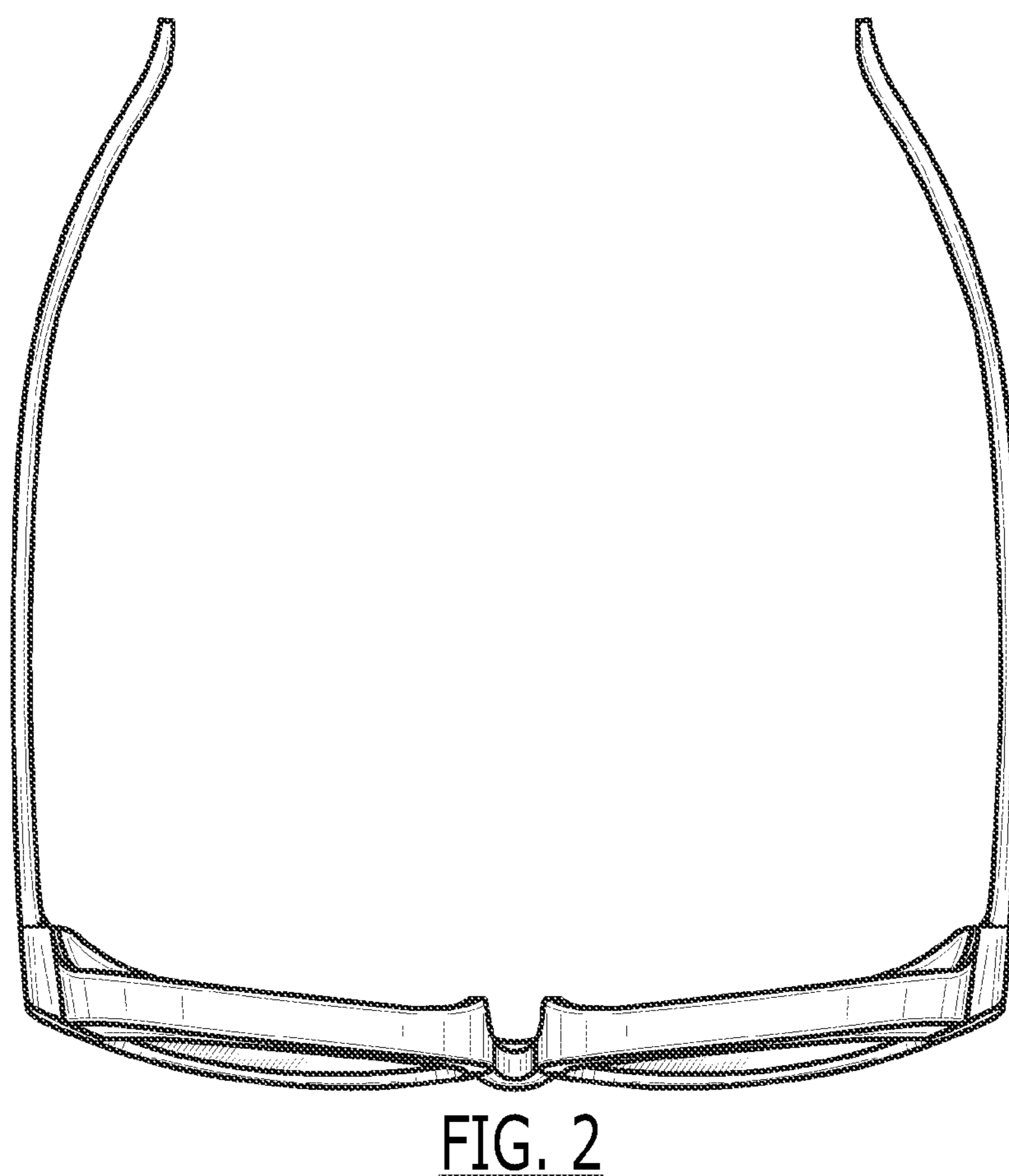
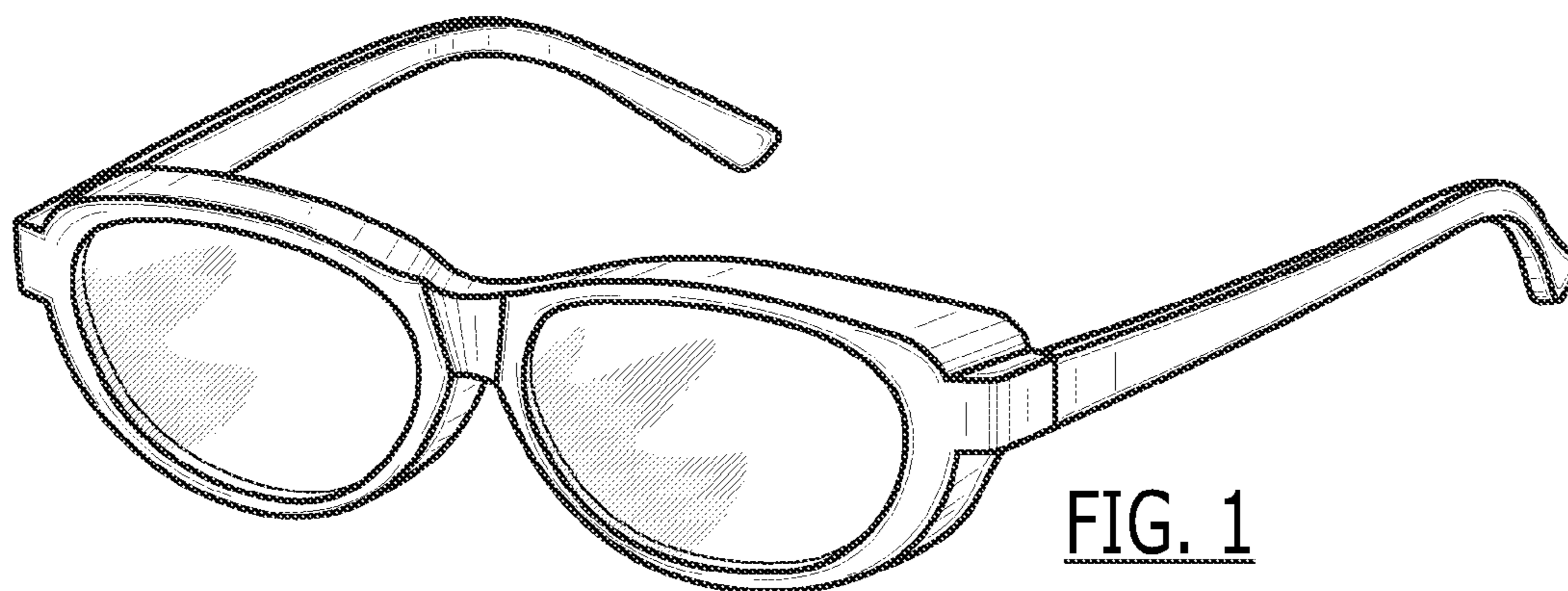
FIG. 5 is a left side view of the design shown in FIGS. 1-4, with the left side view being a mirror image of FIG. 4;

FIG. 6 is a rear perspective view of the design shown in FIGS. 1-5; and,

FIG. 7 is a top view of the design shown in FIGS. 1-6.

1 Claim, 3 Drawing Sheets





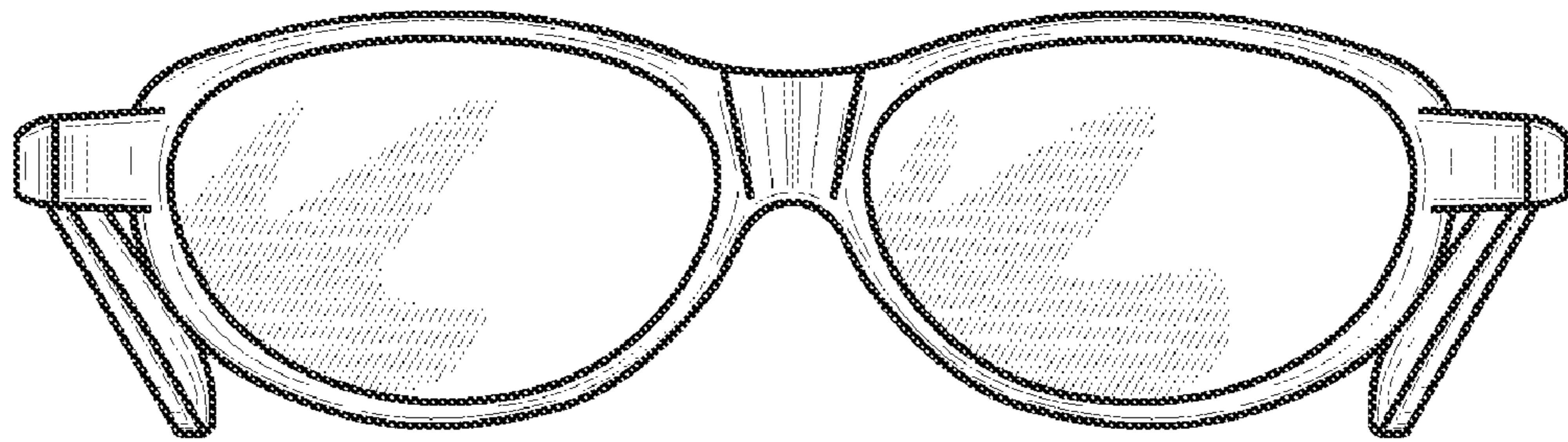


FIG. 3

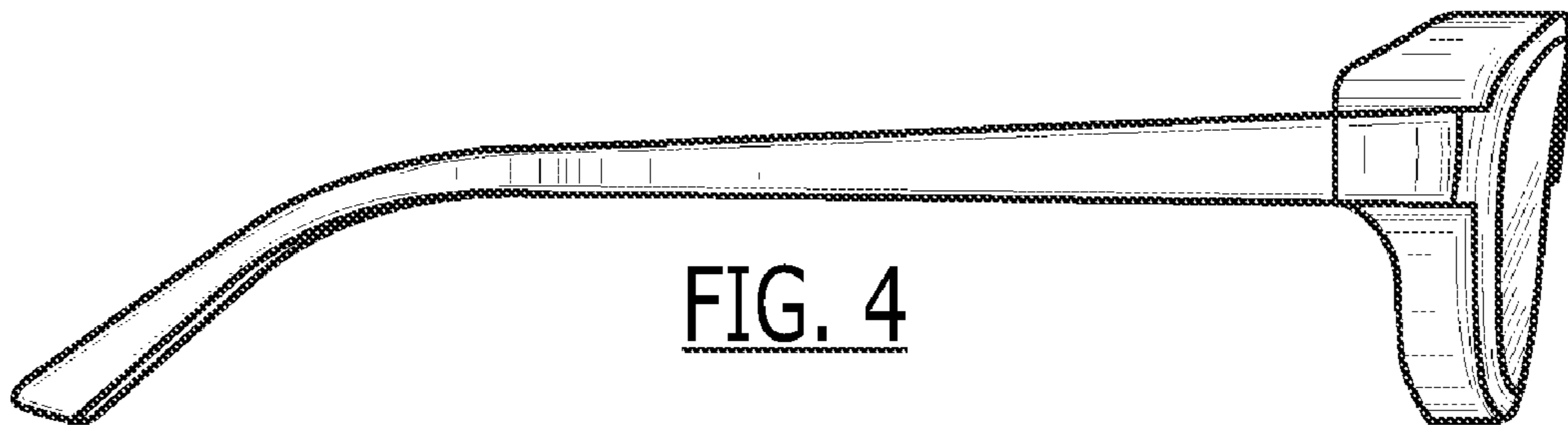


FIG. 4

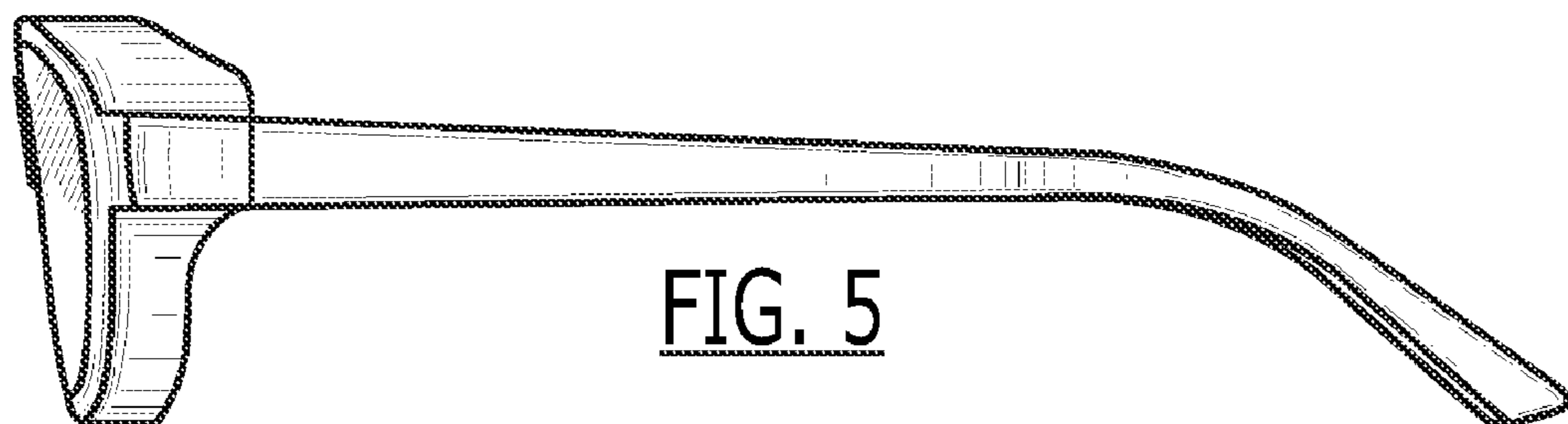


FIG. 5

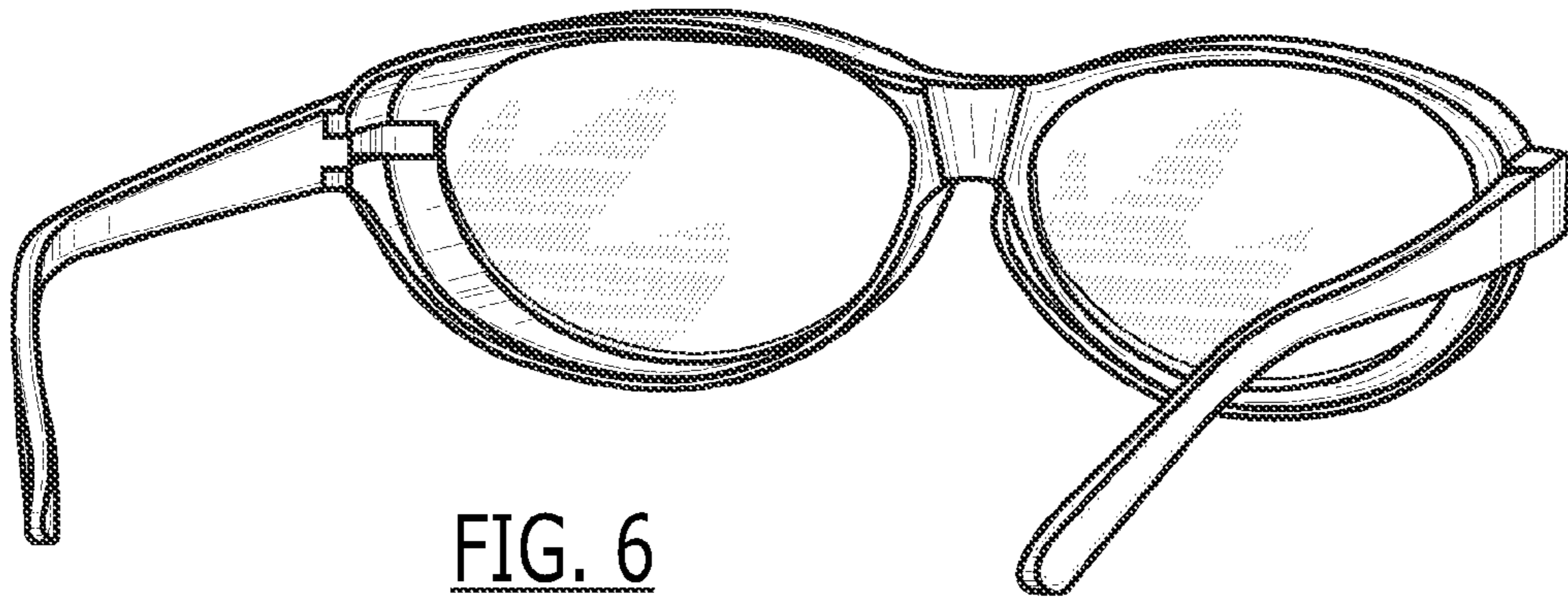


FIG. 6

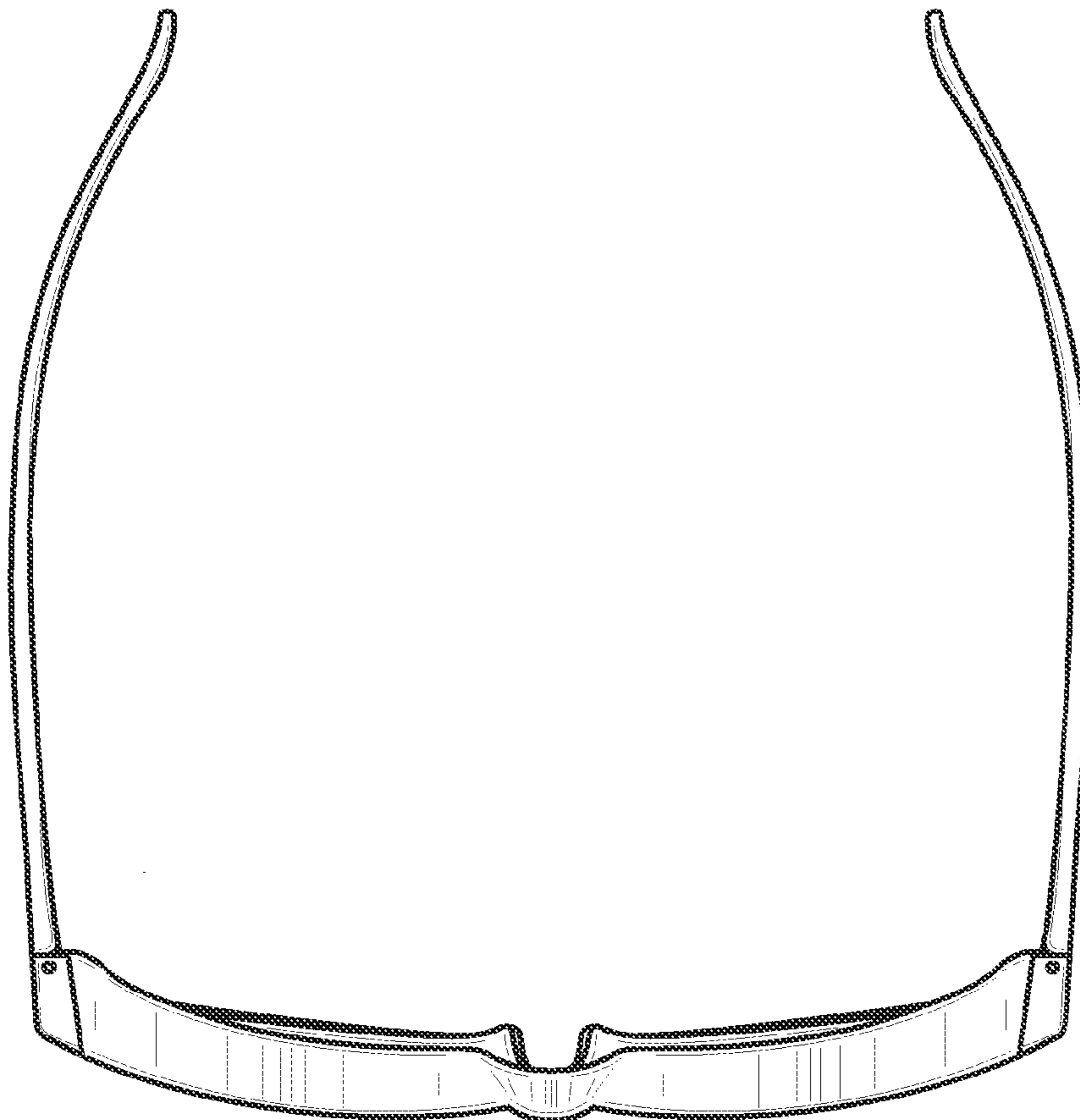


FIG. 7