



US00D589072S

(12) **United States Design Patent**
Morisawa

(10) **Patent No.:** **US D589,072 S**
(45) **Date of Patent:** **** Mar. 24, 2009**

(54) **VIDEO CAMERA**

(75) Inventor: **Yujin Morisawa**, Tokyo (JP)

(73) Assignee: **Sony Corporation**, Tokyo (JP)

(**) Term: **14 Years**

(21) Appl. No.: **29/290,525**

(22) Filed: **Dec. 13, 2007**

(30) **Foreign Application Priority Data**

Jul. 6, 2007 (CN) 2007 3 0159996

(51) **LOC (9) Cl.** **16-01**

(52) **U.S. Cl.** **D16/202**

(58) **Field of Classification Search** D16/200–206,
D16/208, 218; 348/333.06, 373–376; 358/909.1;
396/535–541

See application file for complete search history.

(56) **References Cited**

U.S. PATENT DOCUMENTS

- D391,588 S 3/1998 Sumita
- D429,267 S 8/2000 Sumita
- D431,582 S * 10/2000 Sumita et al. D16/202
- D488,495 S 4/2004 Shimizu
- D499,439 S * 12/2004 Horikiri et al. D16/202
- 6,912,005 B2 * 6/2005 Senda 348/333.06
- D528,575 S * 9/2006 Suzuki et al. D16/205
- 7,295,240 B2 * 11/2007 Kobayashi et al. 348/333.06
- D559,289 S * 1/2008 Shimizu D16/202
- D569,405 S * 5/2008 Ota et al. D16/202

FOREIGN PATENT DOCUMENTS

JP D1020273 S 1/1999

JP D1067168 * 4/2000

* cited by examiner

Primary Examiner—Adir Aronovich

(74) *Attorney, Agent, or Firm*—Rader, Fishman & Grauer, PLLC

(57) **CLAIM**

The ornamental design for a video camera, as shown and described.

DESCRIPTION

FIG. 1 is a front perspective view of a video camera of the first embodiment showing my new design;

FIG. 2 is a front elevational view thereof;

FIG. 3 is a rear elevational view thereof;

FIG. 4 is a left side elevational view thereof;

FIG. 5 is a right side elevational view thereof;

FIG. 6 is a top plan view thereof; and

FIG. 7 is a bottom plan view thereof.

FIG. 8 is a front perspective view of a video camera of the second embodiment showing my new design;

FIG. 9 is a front elevational view thereof;

FIG. 10 is a rear elevational view thereof;

FIG. 11 is a left side elevational view thereof;

FIG. 12 is a right side elevational view thereof;

FIG. 13 is a top plan view thereof; and,

FIG. 14 is a bottom plan view thereof.

FIGS. 15–17 are for illustrative purposes only and form no part of the claimed design.

1 Claim, 14 Drawing Sheets

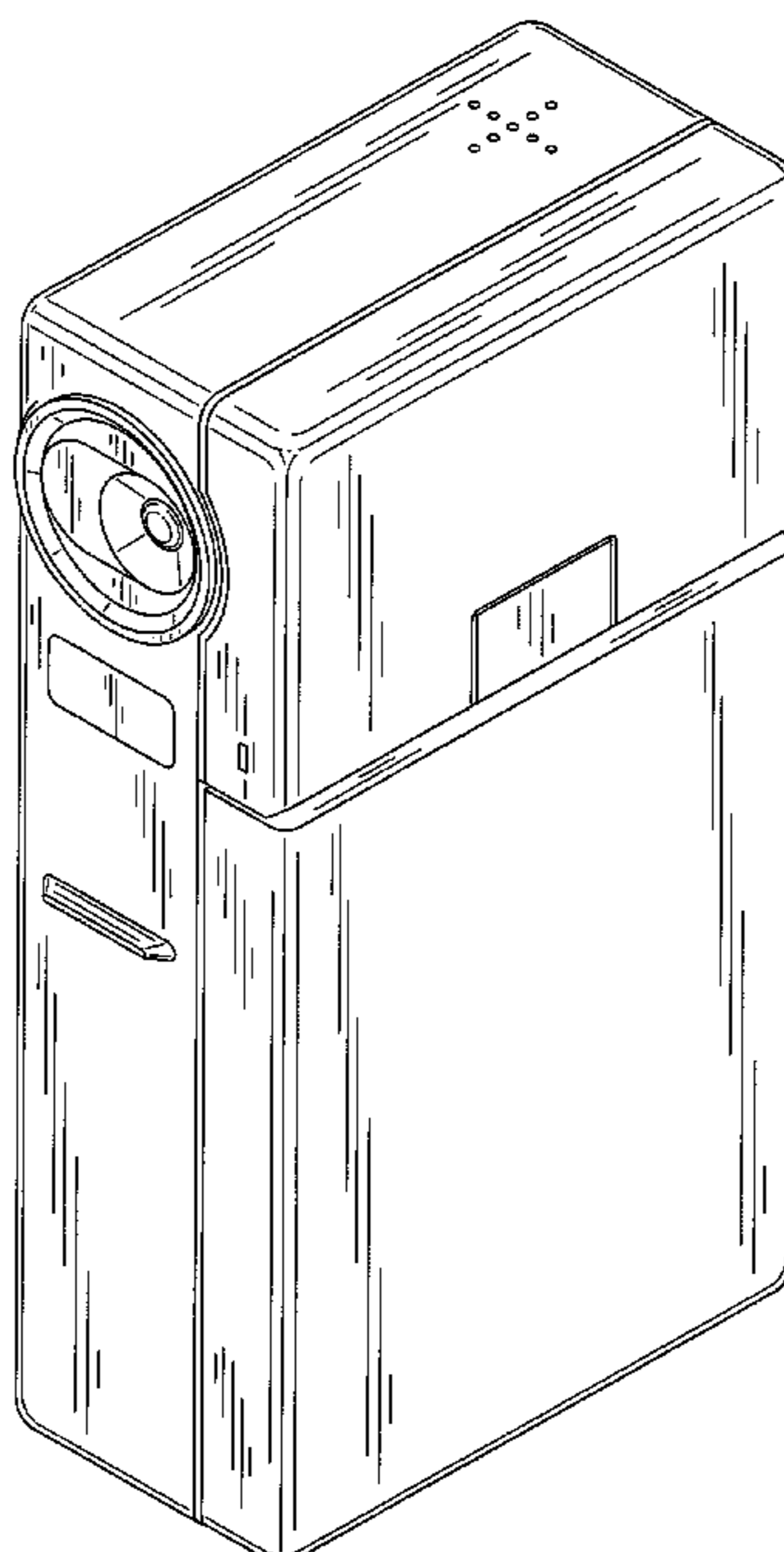


Fig. 1

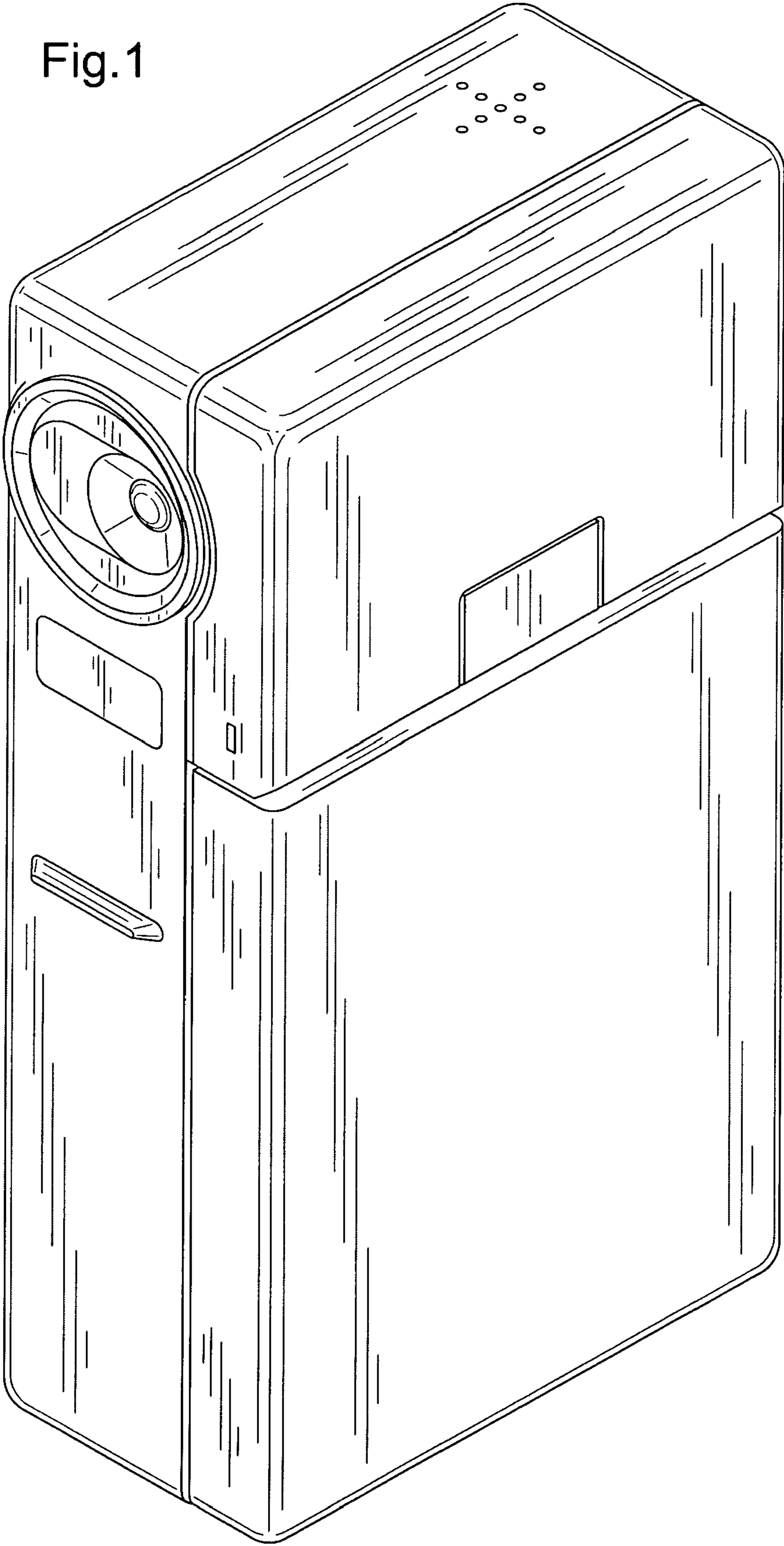


Fig.2

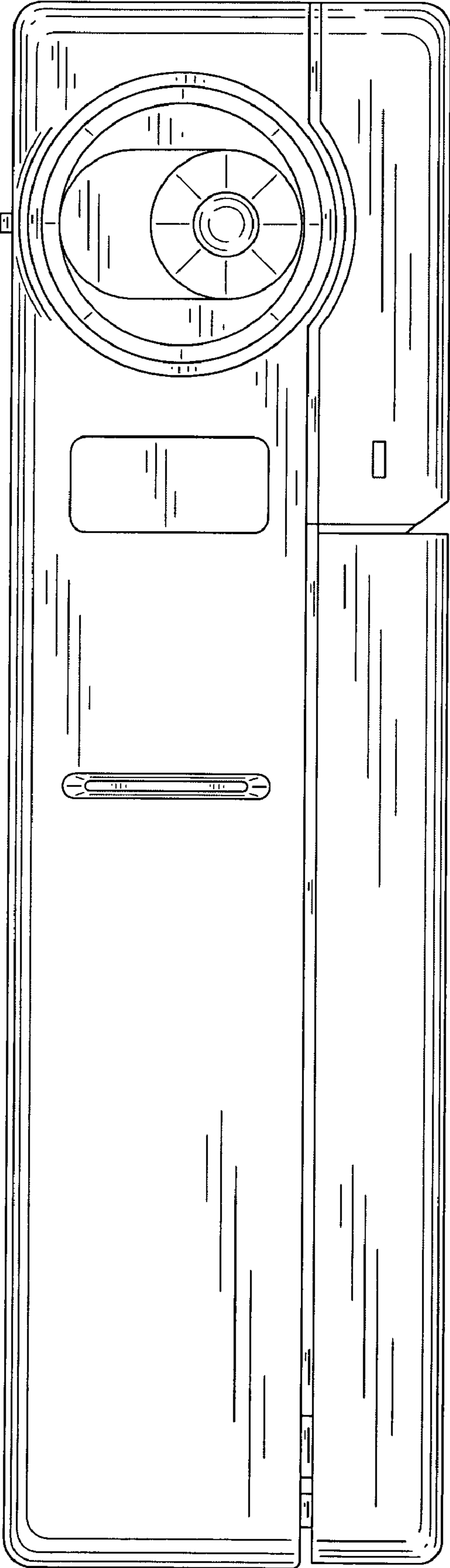


Fig.3

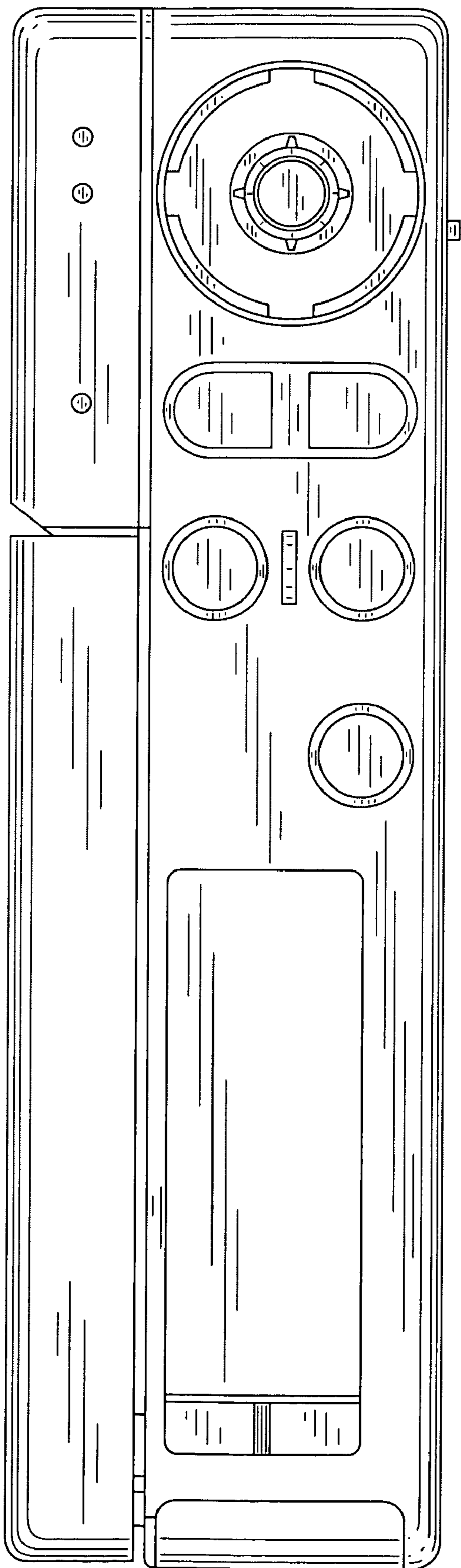


Fig.4

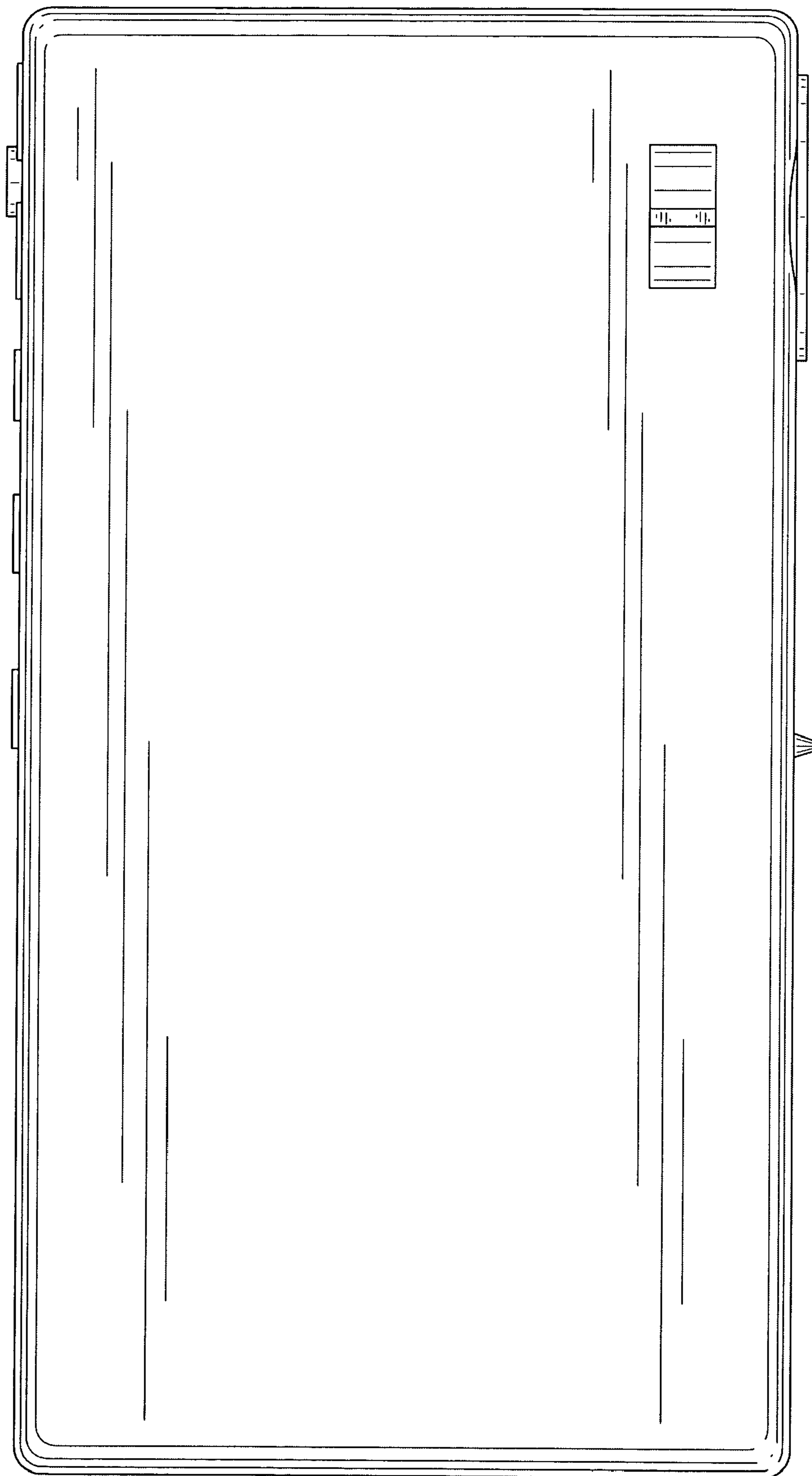


Fig.5

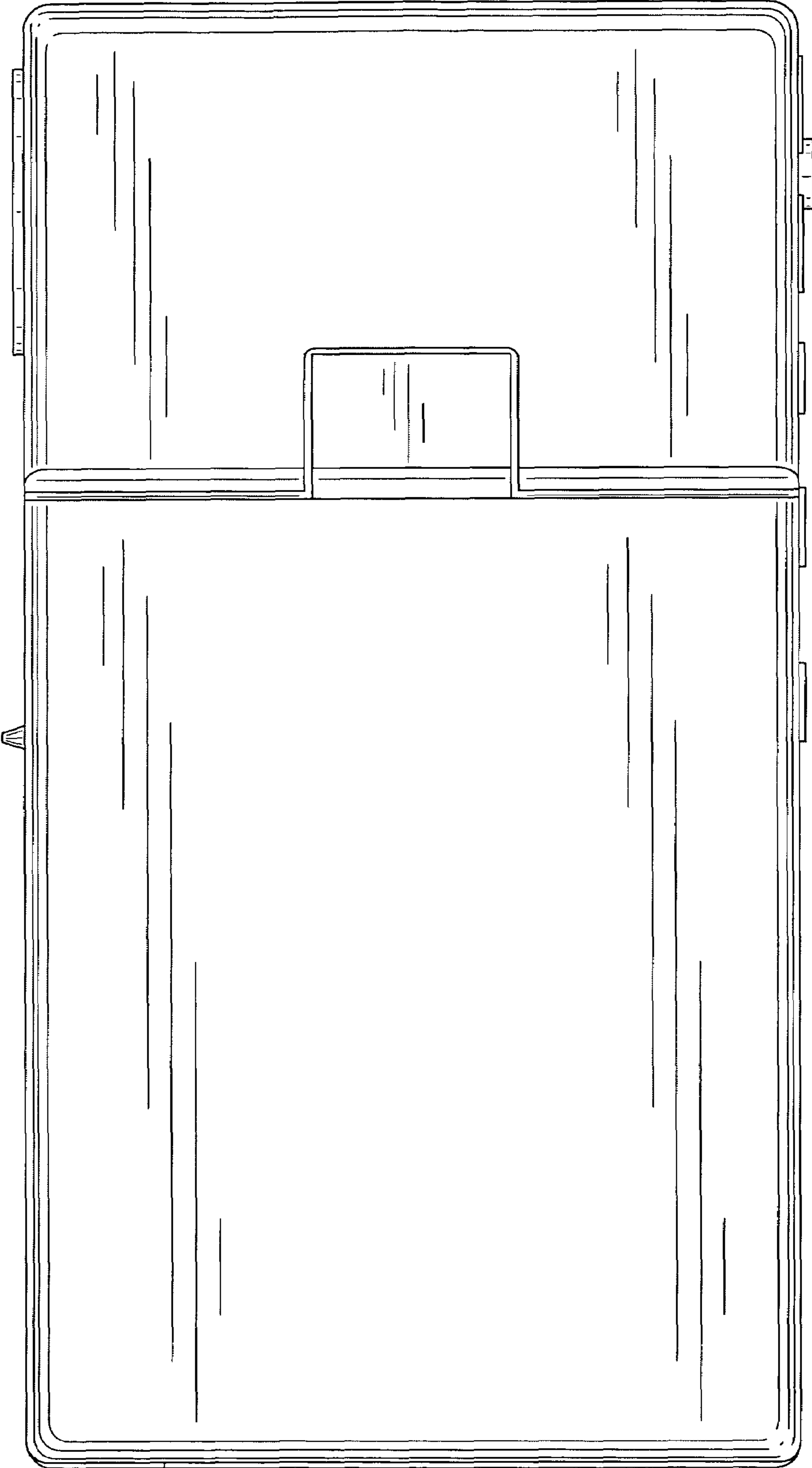


Fig.6

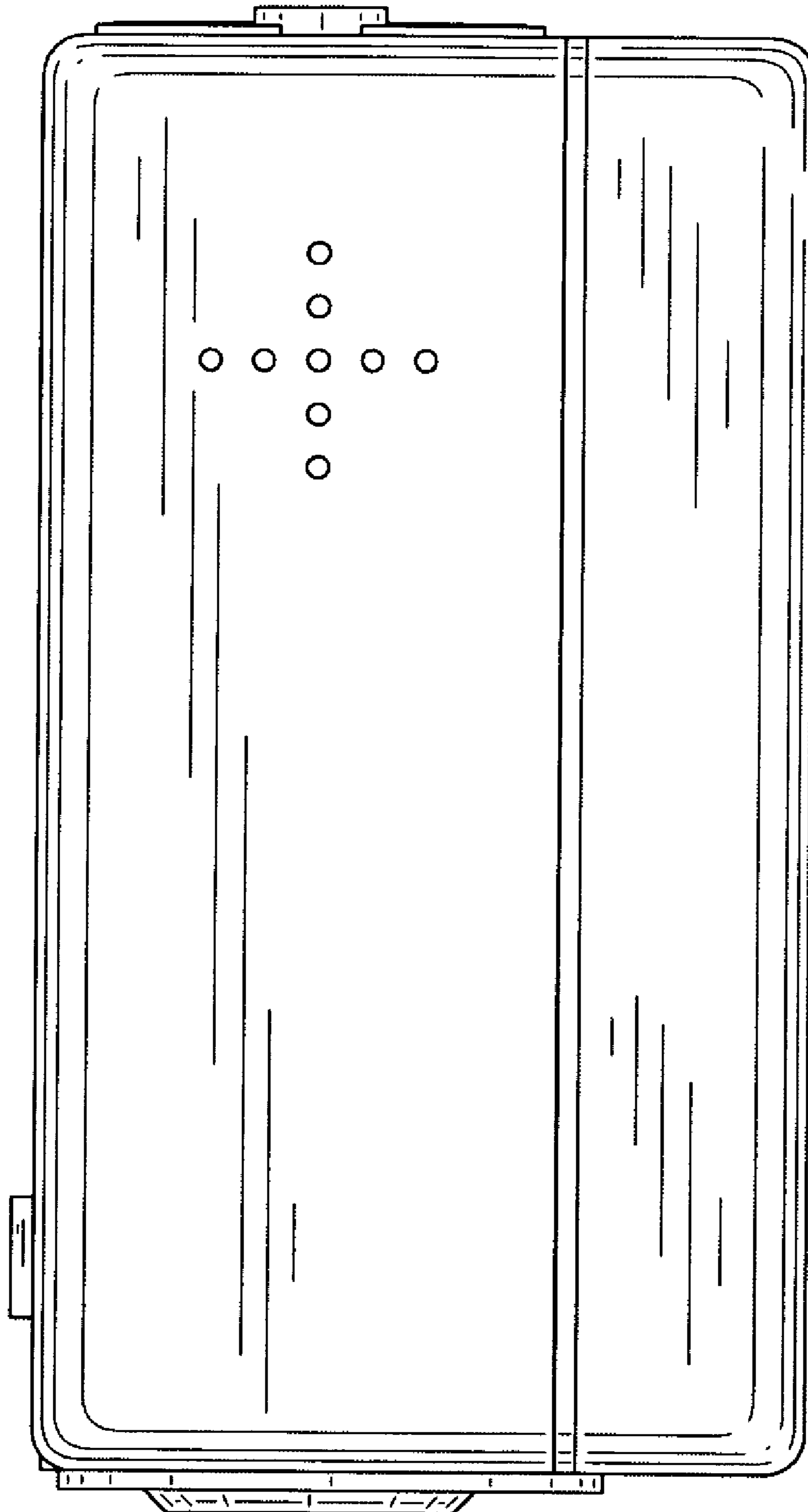


Fig.7

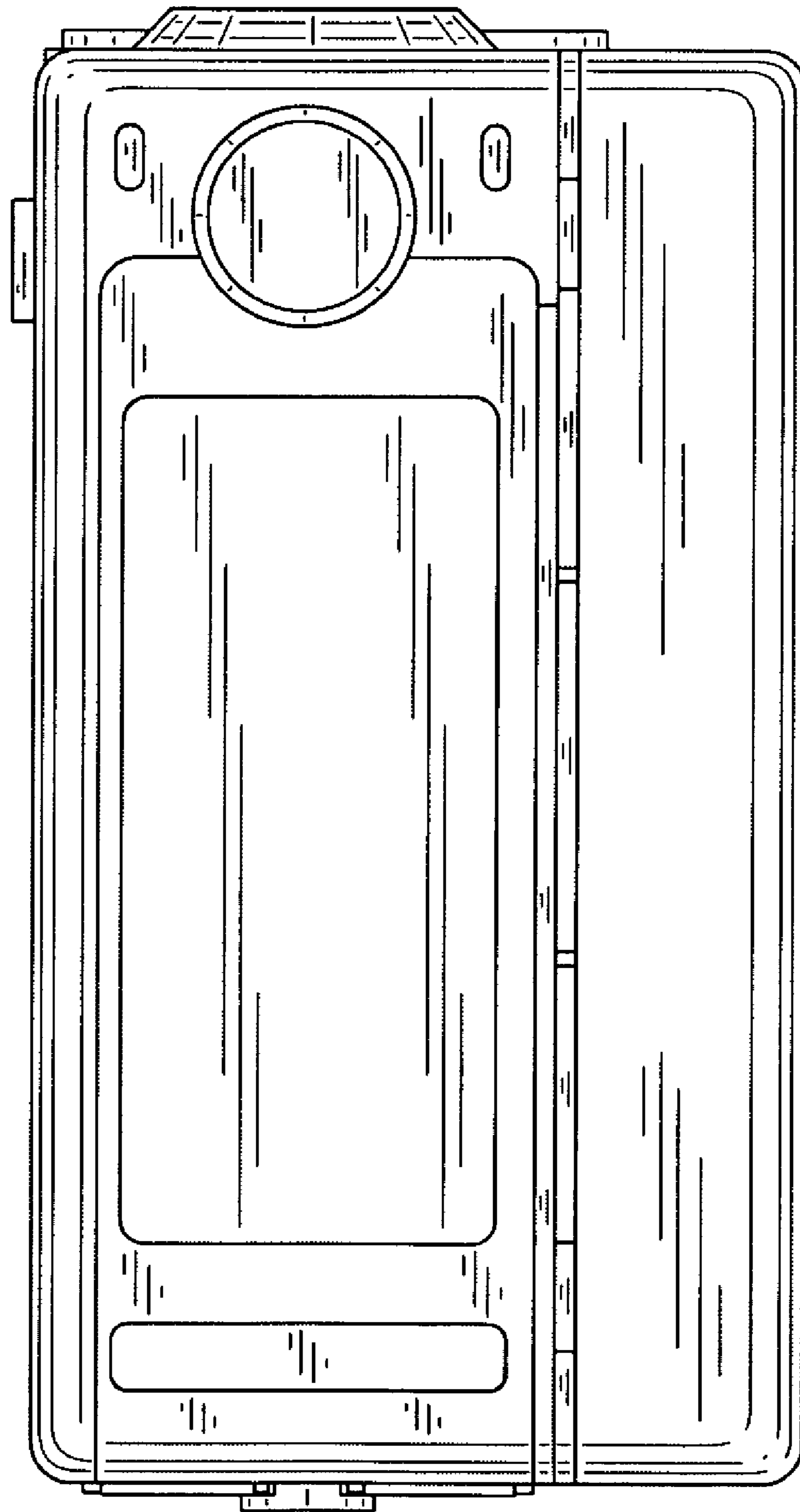


Fig.8

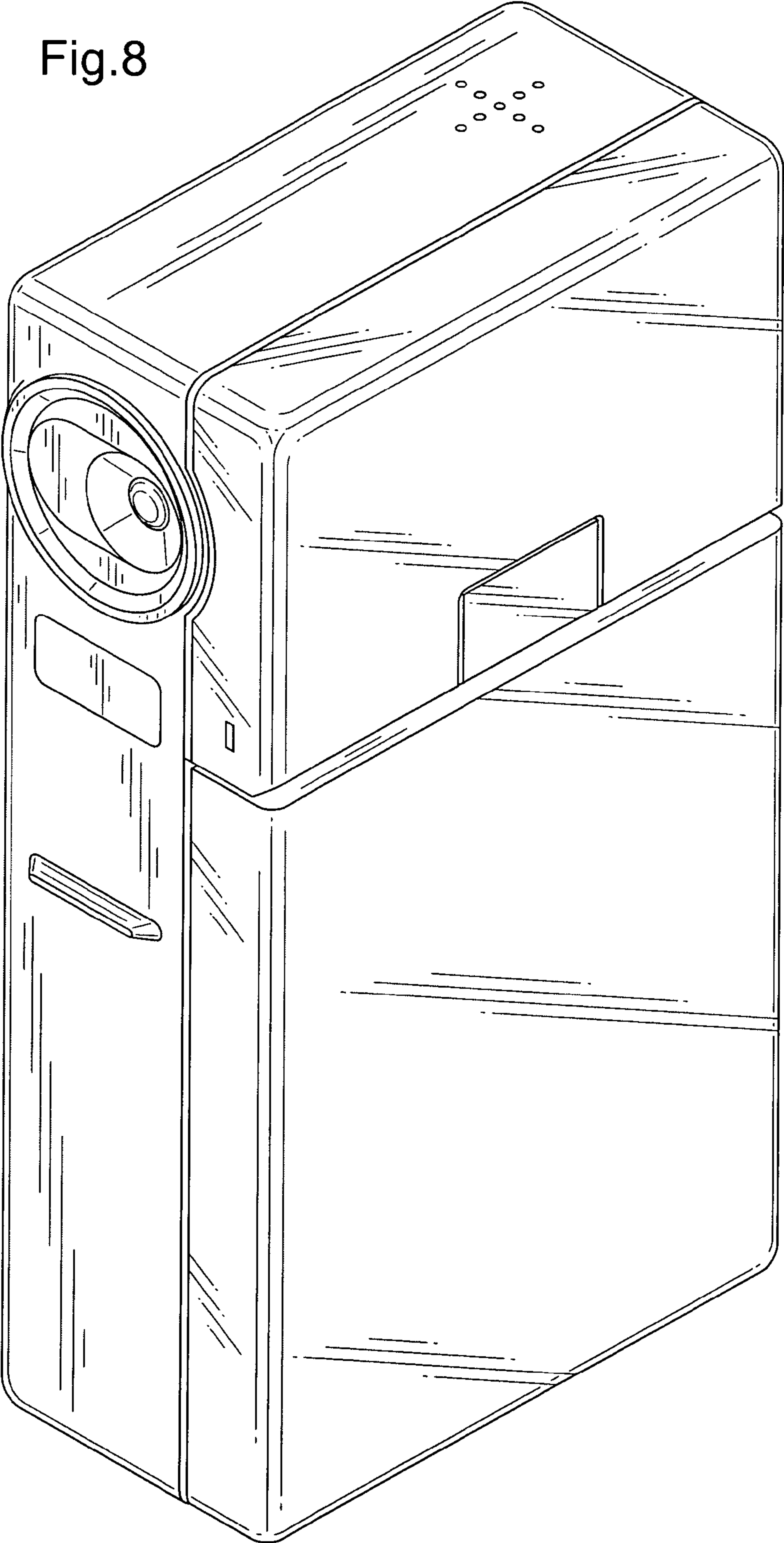


Fig.9

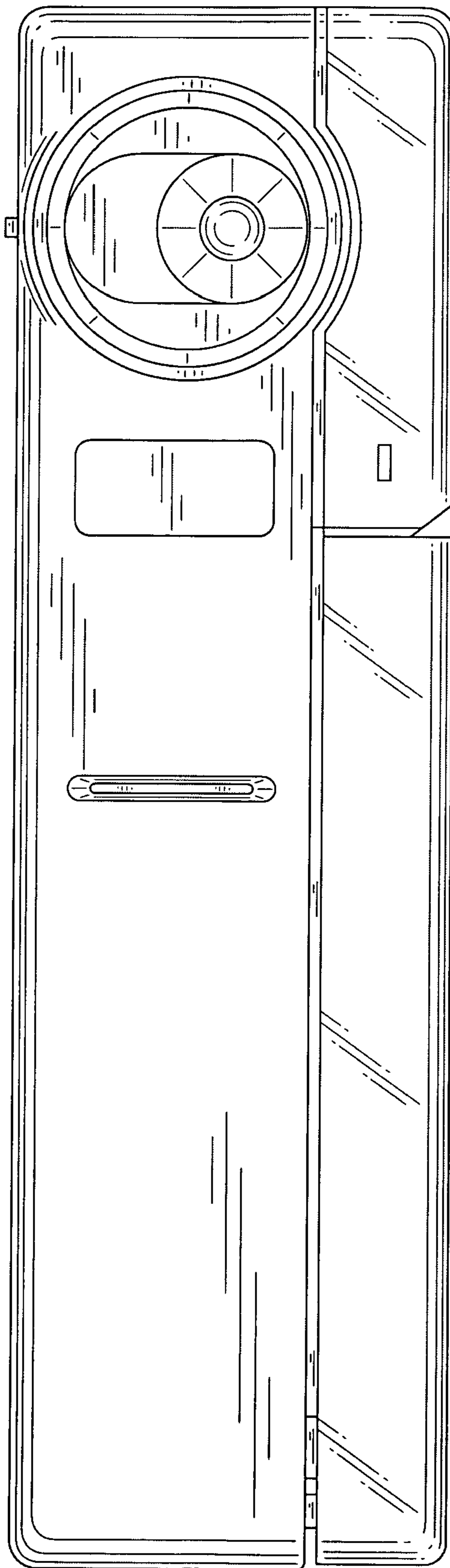


Fig.10

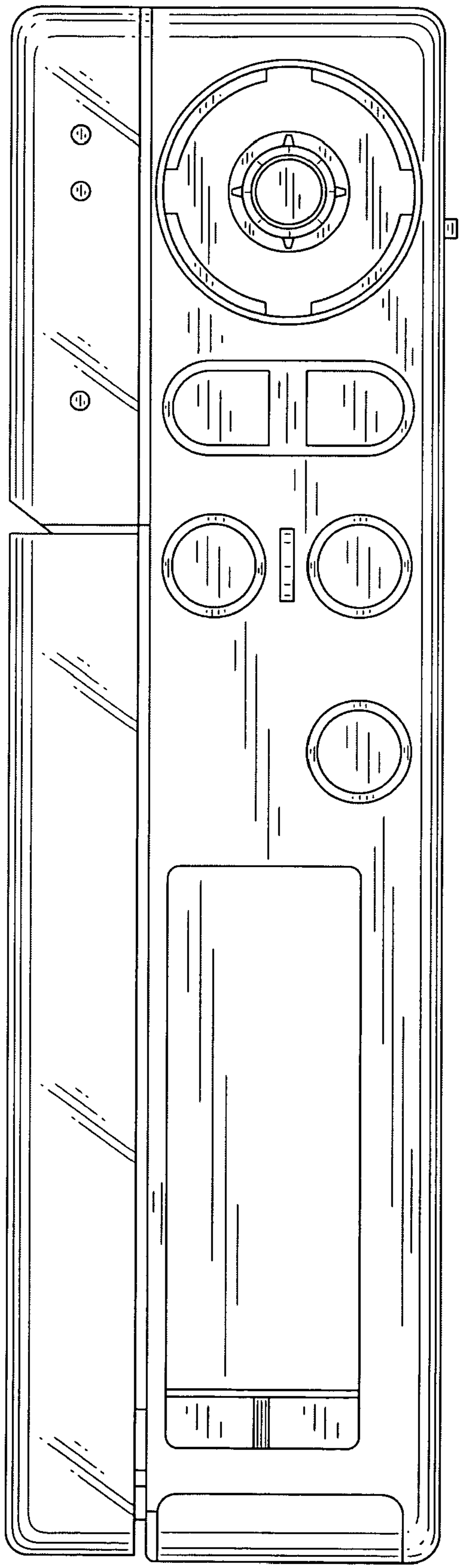


Fig.11

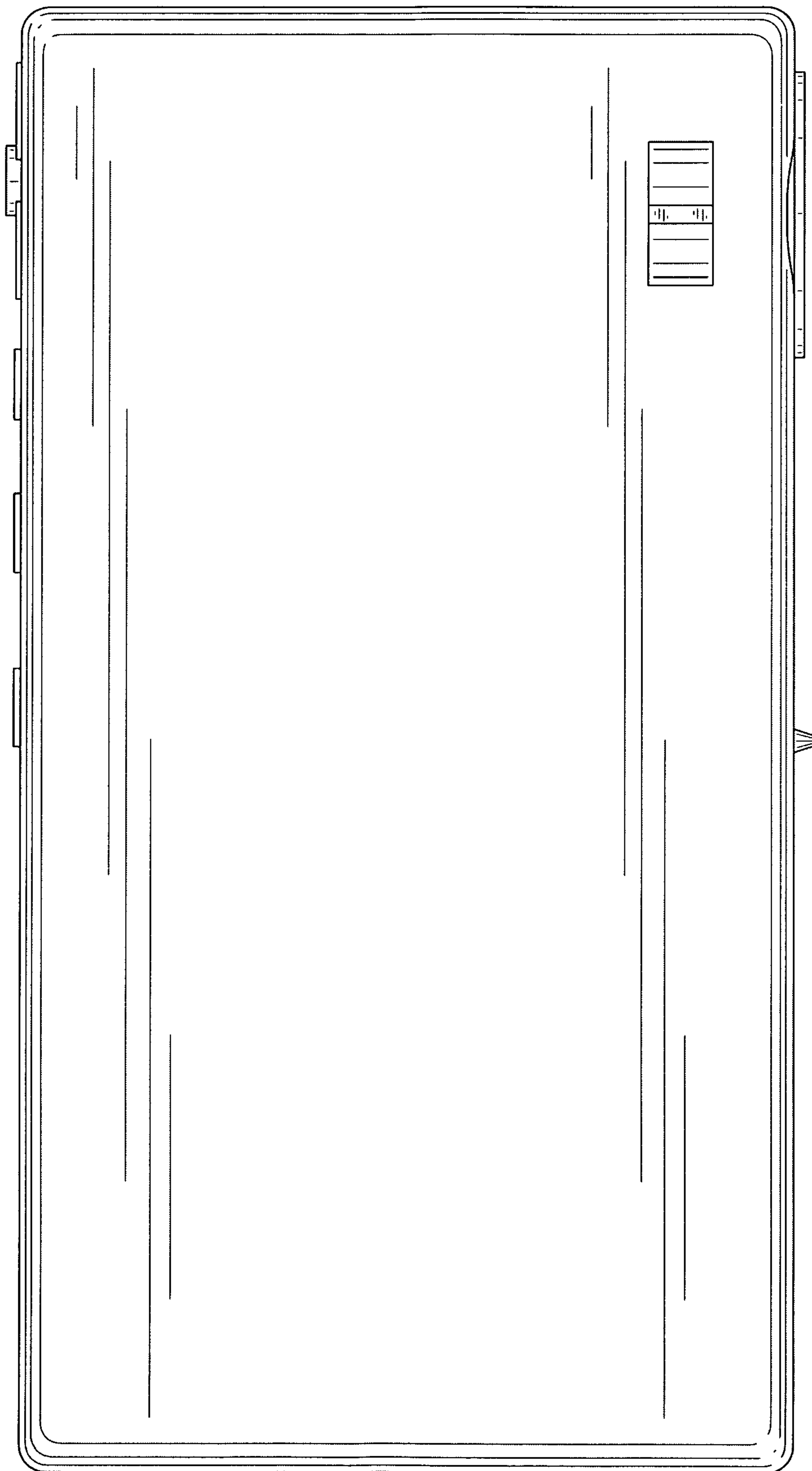


Fig.12

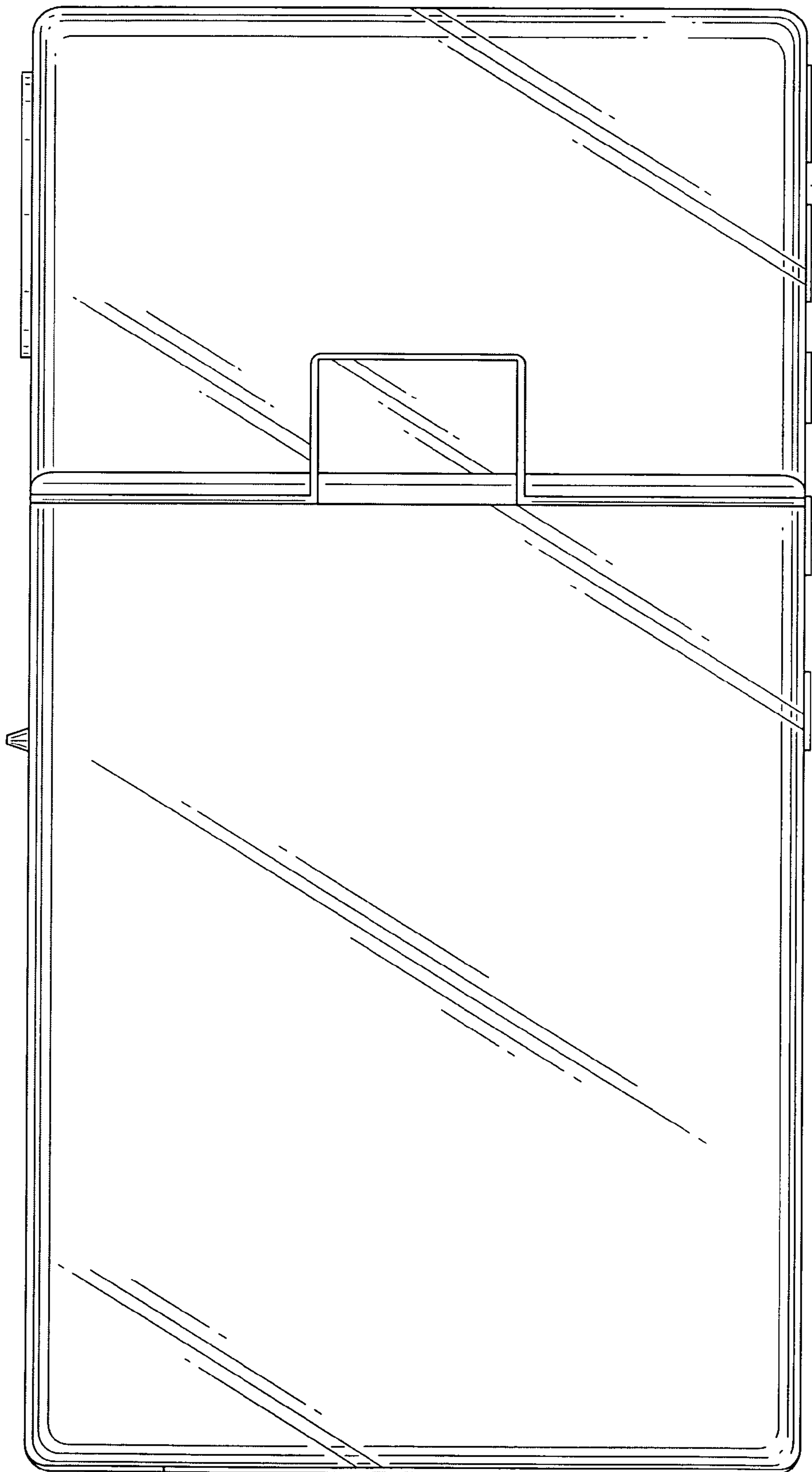


Fig.13

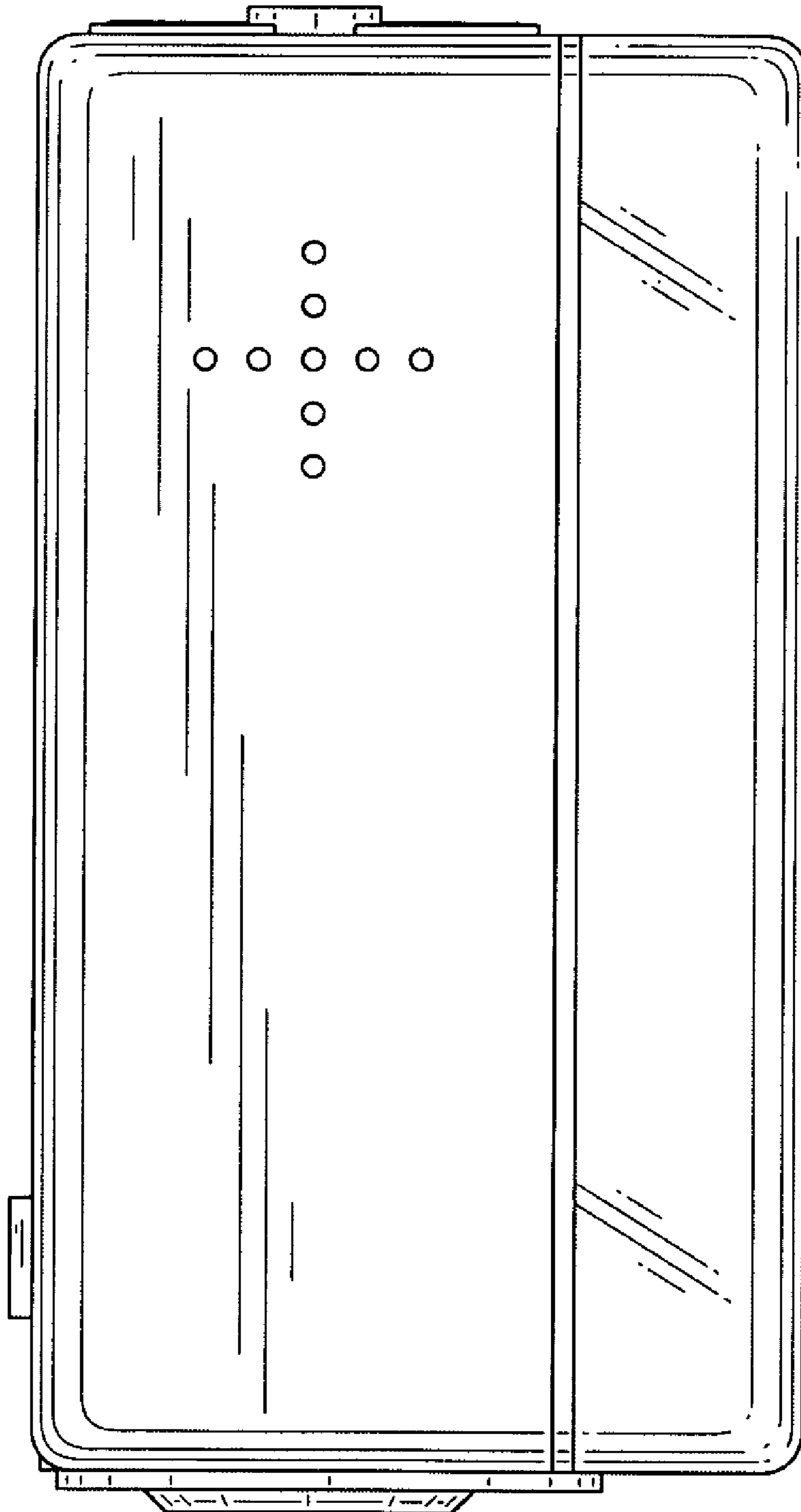


Fig. 14

