



US00D589071S

(12) **United States Design Patent**
Jim

(10) **Patent No.:** **US D589,071 S**
(45) **Date of Patent:** **** Mar. 24, 2009**

(54) **RIMLESS LIGHT-EMITTING DIODE
MAGNIFIER**

(75) Inventor: **Shiu-fai Jim**, Hong Kong (CN)

(73) Assignee: **Concavex Plastic Works Limited**, Hong Kong (HK)

(**) Term: **14 Years**

(21) Appl. No.: **29/286,539**

(22) Filed: **May 10, 2007**

(51) **LOC (9) Cl.** **16-06**

(52) **U.S. Cl.** **D16/135**

(58) **Field of Classification Search** D16/135,
D16/130; D21/483; D28/30, 48, 64.1; D19/34,
D19/36; 359/802-805, 810-811, 818-819,
359/822; 15/160, 176.1; 99/342, 422; D6/300,
D6/309

See application file for complete search history.

(56) **References Cited**

U.S. PATENT DOCUMENTS

3,031,930 A * 5/1962 Kafig et al. 359/882
D394,073 S * 5/1998 Hennessy et al. D16/135
D395,907 S * 7/1998 Calello D16/135
D423,030 S * 4/2000 Yuen D16/135
D428,032 S * 7/2000 Lee D16/135

D440,243 S * 4/2001 Jacquet D16/135
D452,975 S * 1/2002 Mershon D19/36
D495,726 S * 9/2004 Yip et al. D16/135
D497,626 S * 10/2004 Yip et al. D16/135
D501,665 S * 2/2005 Yip et al. D16/135
6,903,882 B1 * 6/2005 Cameron et al. 359/803
D559,876 S * 1/2008 Yip et al. D16/135
D565,069 S * 3/2008 Yip et al. D16/135

* cited by examiner

Primary Examiner—Paula Greene

(74) *Attorney, Agent, or Firm*—Alix, Yale & Ristas, LLP

(57) **CLAIM**

The ornamental design for a rimless light-emitting diode magnifier, as shown and described.

DESCRIPTION

FIG. 1 is a perspective view of a rimless light-emitting diode magnifier showing my new design;

FIG. 2 is a front view thereof;

FIG. 3 is a rear view thereof;

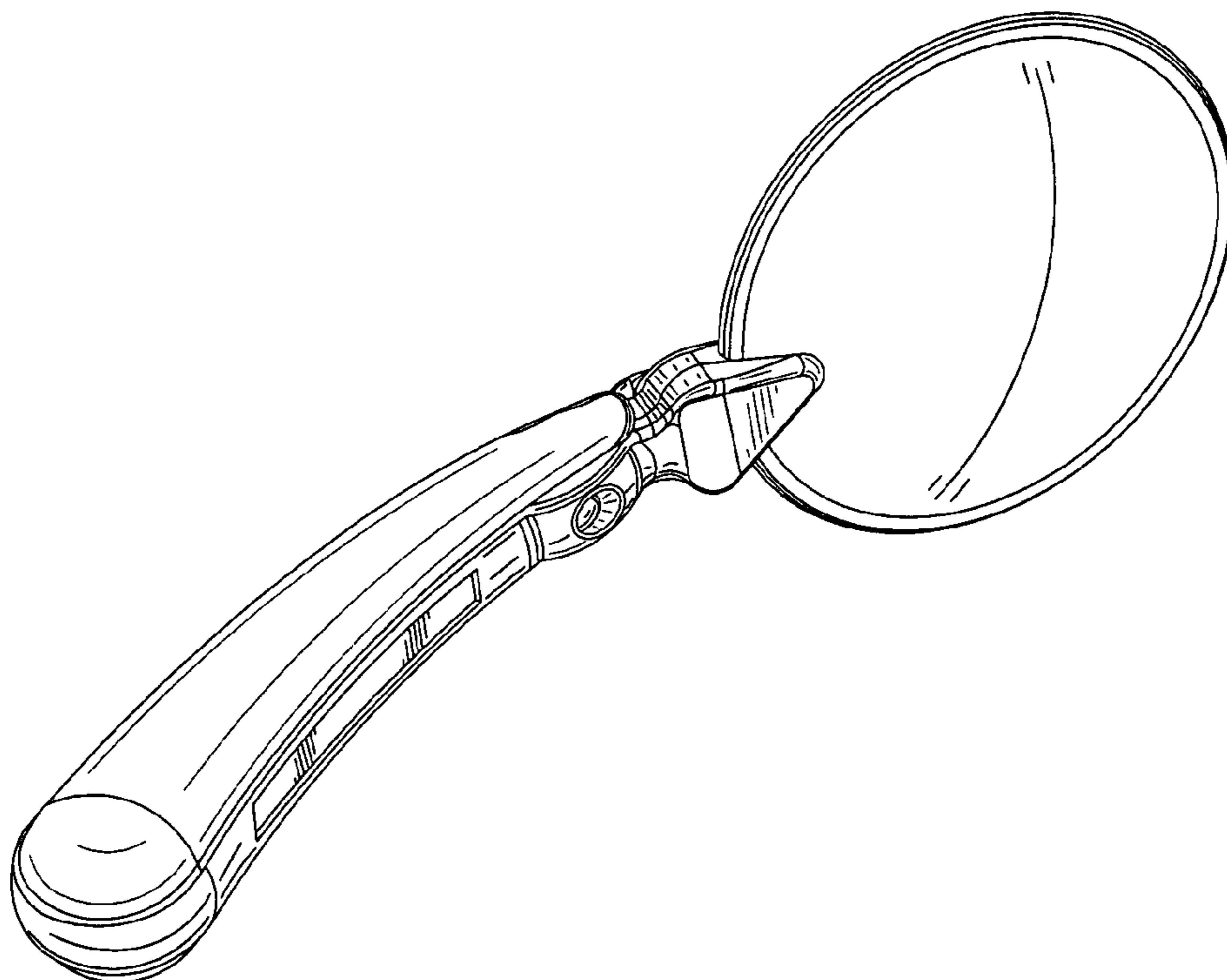
FIG. 4 is a right side view thereof;

FIG. 5 is a left side view thereof;

FIG. 6 is a top plan view thereof; and,

FIG. 7 is a bottom plan view thereof.

1 Claim, 4 Drawing Sheets



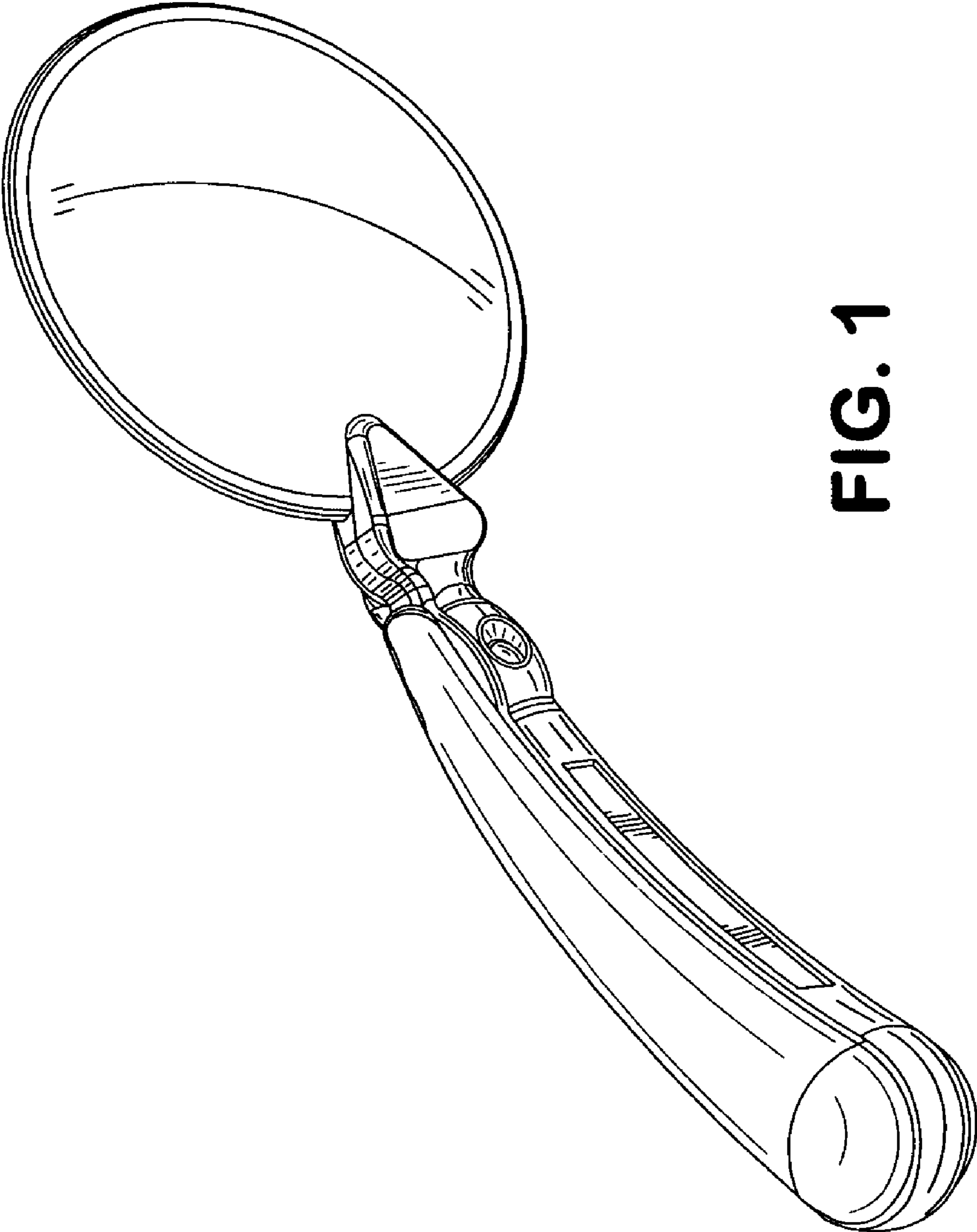


FIG. 1

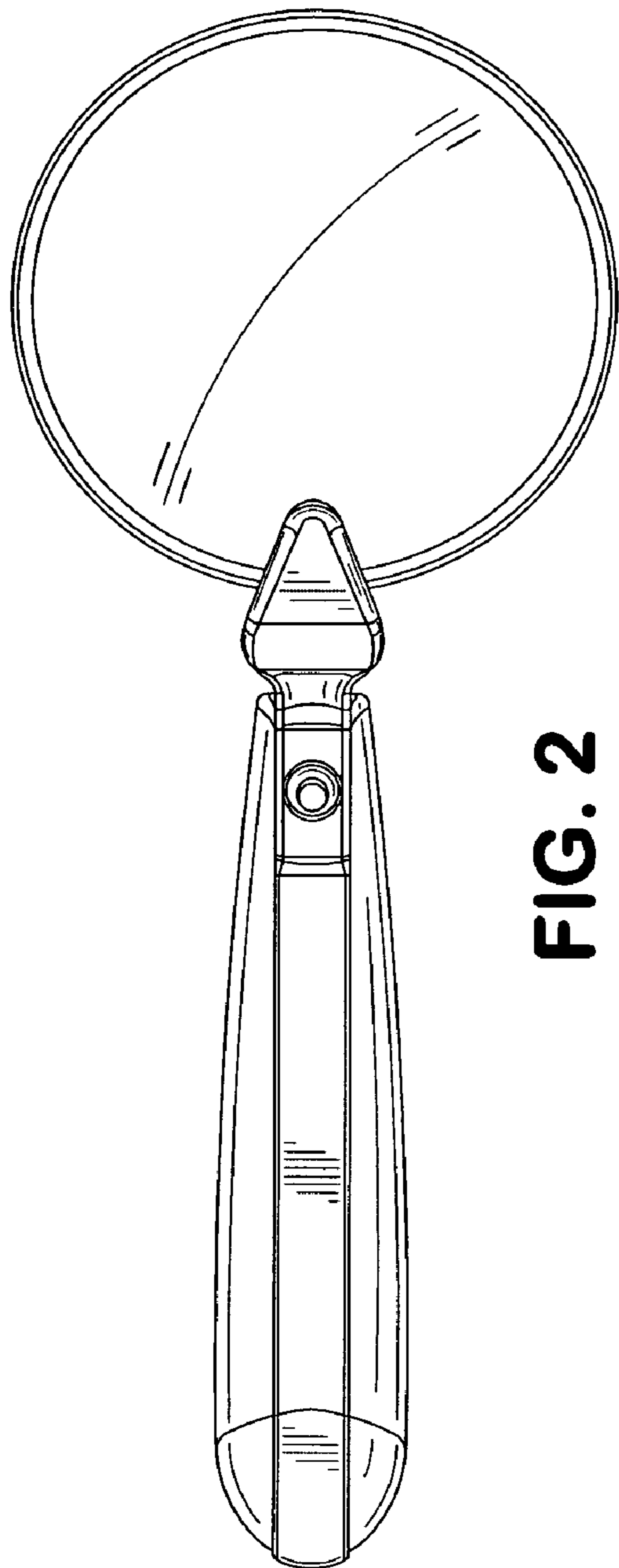


FIG. 2

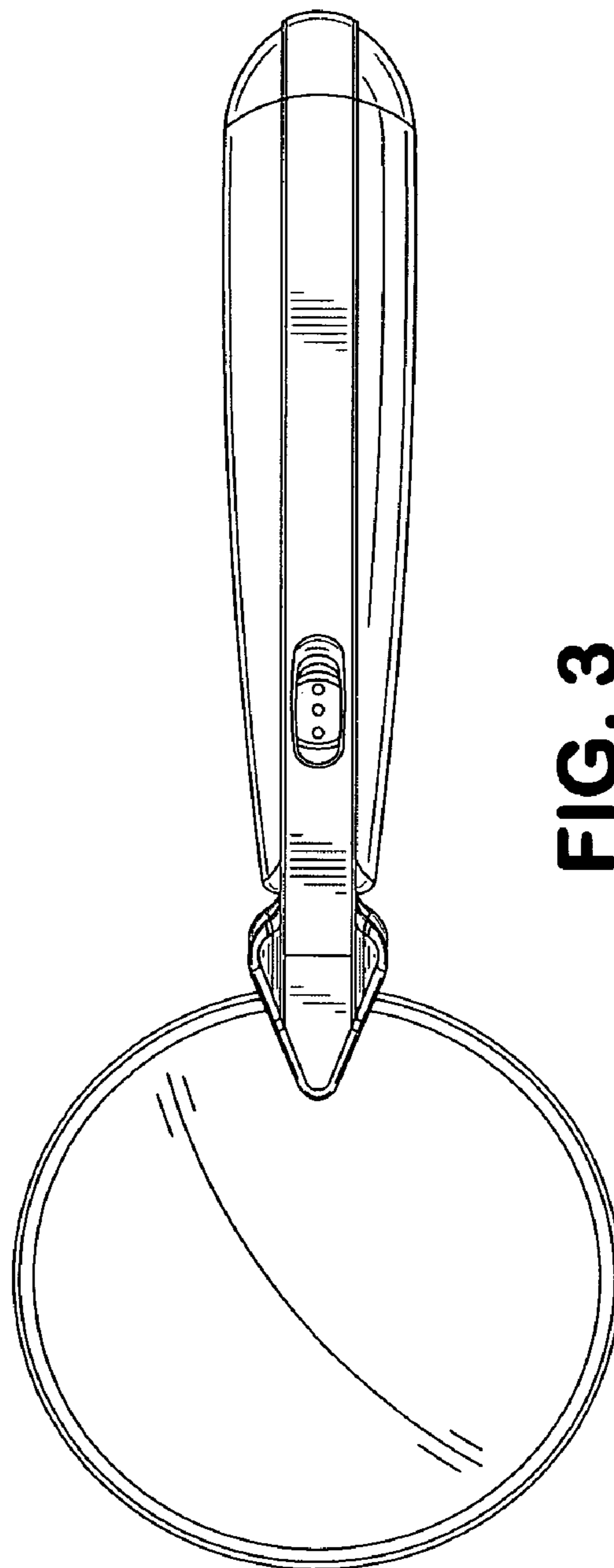


FIG. 3

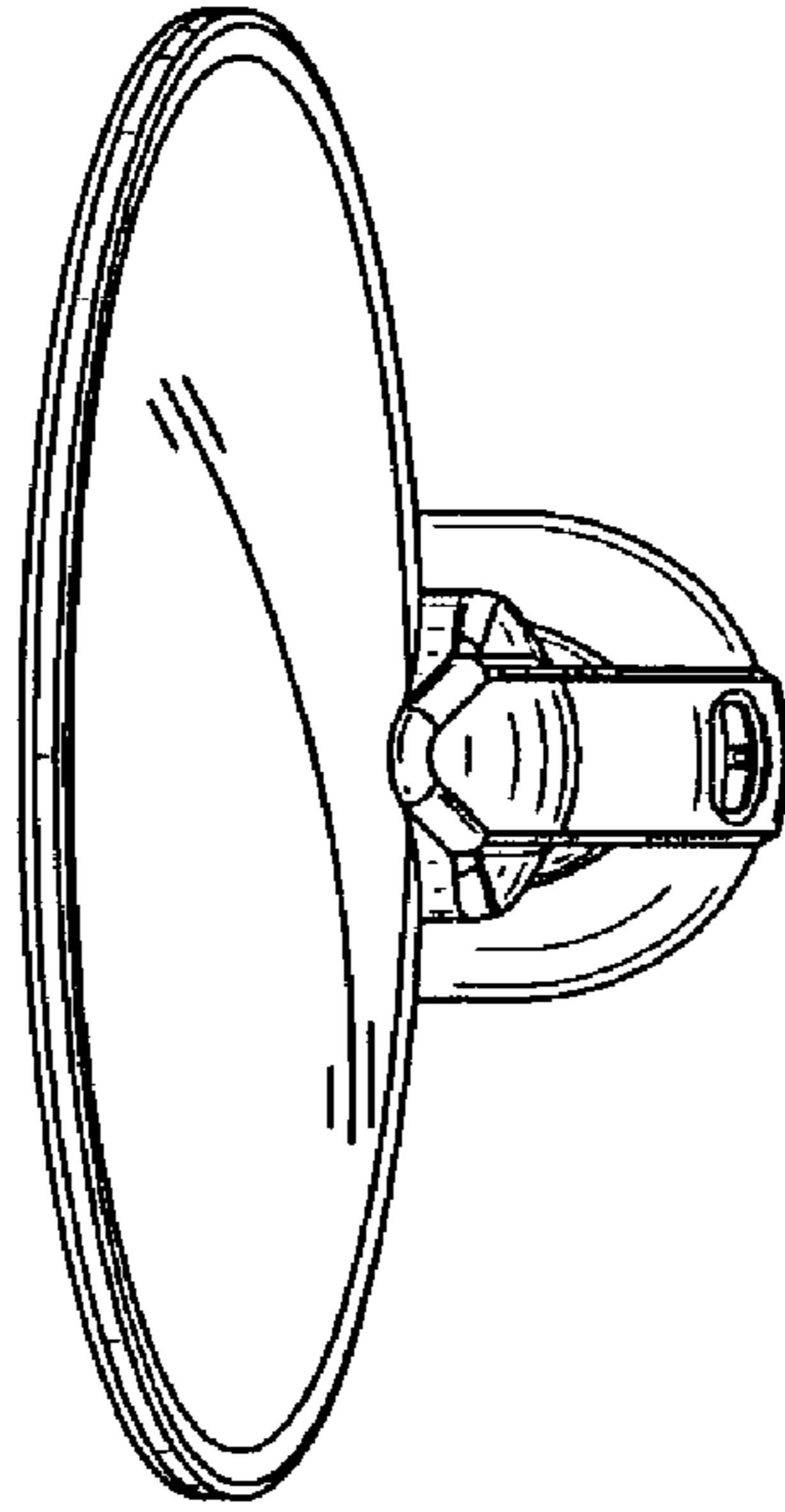


FIG. 4

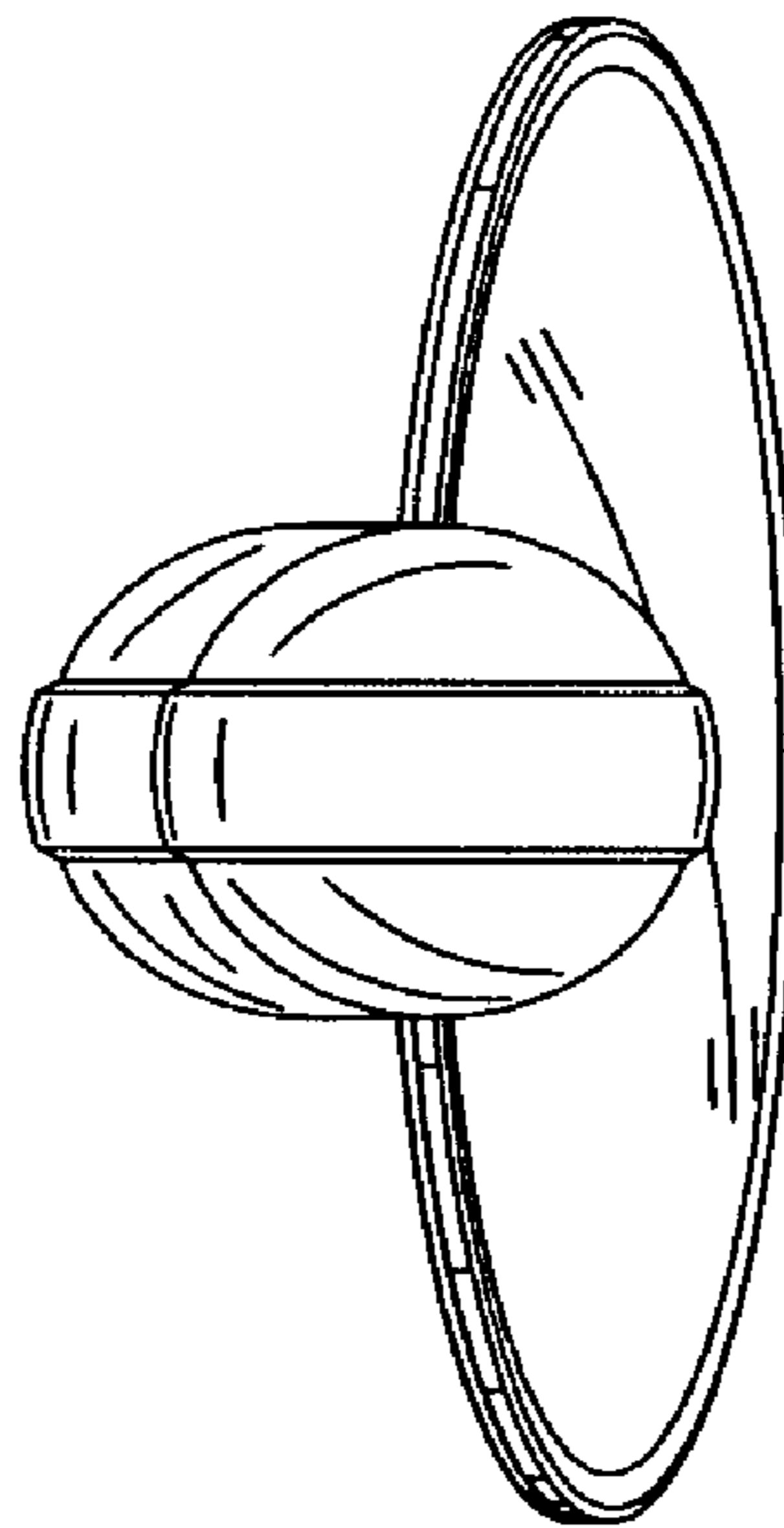


FIG. 5

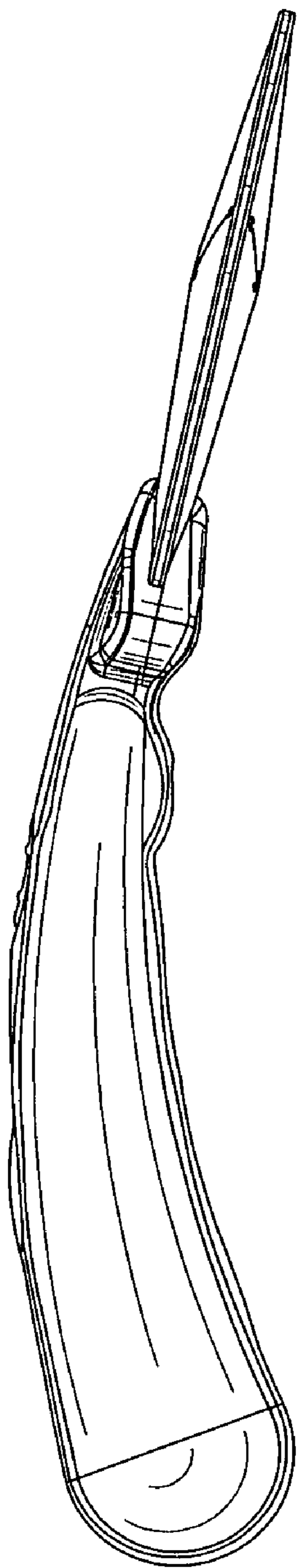


FIG. 6



FIG. 7