



US00D589070S

(12) **United States Design Patent**
Beld et al.

(10) **Patent No.:** **US D589,070 S**
(45) **Date of Patent:** **** Mar. 24, 2009**

(54) **BACON COMB**

(75) Inventors: **Julian John Beld**, Lodi, WI (US);
Anthony F. Scribner, Waunakee, WI
(US)

(73) Assignee: **Alkar-RapidPak, Inc.**, Lodi, WI (US)

(**) Term: **14 Years**

(21) Appl. No.: **29/306,301**

(22) Filed: **Apr. 7, 2008**

Related U.S. Application Data

(60) Division of application No. 29/229,162, filed on May 4, 2005, now Pat. No. Des. 568,916, which is a continuation-in-part of application No. 10/947,468, filed on Sep. 22, 2004.

(51) **LOC (9) Cl.** **15-99**

(52) **U.S. Cl.** **D15/199**

(58) **Field of Classification Search** D15/199;
17/44.2, 44.3; 211/49.1, 196; 294/79, 81.56;
452/177, 182, 183, 185, 187, 193
See application file for complete search history.

(56) **References Cited**

U.S. PATENT DOCUMENTS

935,171	A *	9/1909	Stark et al.	452/193
974,200	A *	11/1910	Stark et al.	452/193
998,286	A *	7/1911	Fisher	452/193
1,825,879	A *	10/1931	Louthian	452/193
1,863,743	A *	6/1932	Burns	452/187
1,936,380	A *	11/1933	Lalumier et al.	452/193
1,967,870	A *	7/1934	Covey	452/193
2,061,937	A *	11/1936	Fay	211/49.1
2,412,233	A *	12/1946	Tominello	452/193
2,461,374	A *	2/1949	Custer	248/146
2,470,878	A *	5/1949	Tate	452/187
2,680,522	A *	6/1954	Temple	108/59
2,946,455	A *	7/1960	Meyers	211/49.1

3,090,990	A *	5/1963	Graper	452/193
3,363,544	A *	1/1968	Bergh	99/426
3,501,015	A *	3/1970	Behles	211/49.1
3,602,370	A *	8/1971	Jerch et al.	211/49.1
3,887,079	A	6/1975	Crew	
4,029,212	A	6/1977	Uadiski	
4,106,174	A	8/1978	Ilines	
4,172,305	A *	10/1979	Henebry et al.	452/193
4,182,004	A *	1/1980	Haring et al.	452/187
4,278,177	A	7/1981	Fahmi	
4,465,313	A *	8/1984	Val	294/68.3
4,615,077	A *	10/1986	Beebe	452/187
4,863,043	A	9/1989	Bowen	
5,052,975	A	10/1991	Handel	
5,100,365	A *	3/1992	Johnson	452/187
5,188,241	A *	2/1993	Kobza et al.	211/59.1

(Continued)

Primary Examiner—Sandra Snapp

Assistant Examiner—Patricia Palasik

(74) *Attorney, Agent, or Firm*—Andrus, Scales, Starke & Sawall, LLP

(57) **CLAIM**

The ornamental design for a bacon comb, as shown.

DESCRIPTION

FIG. 1 is an isometric view of a bacon comb incorporating our new design;

FIG. 2 is front elevation view thereof;

FIG. 3 is a left side elevation view thereof;

FIG. 4 is a top plan view thereof;

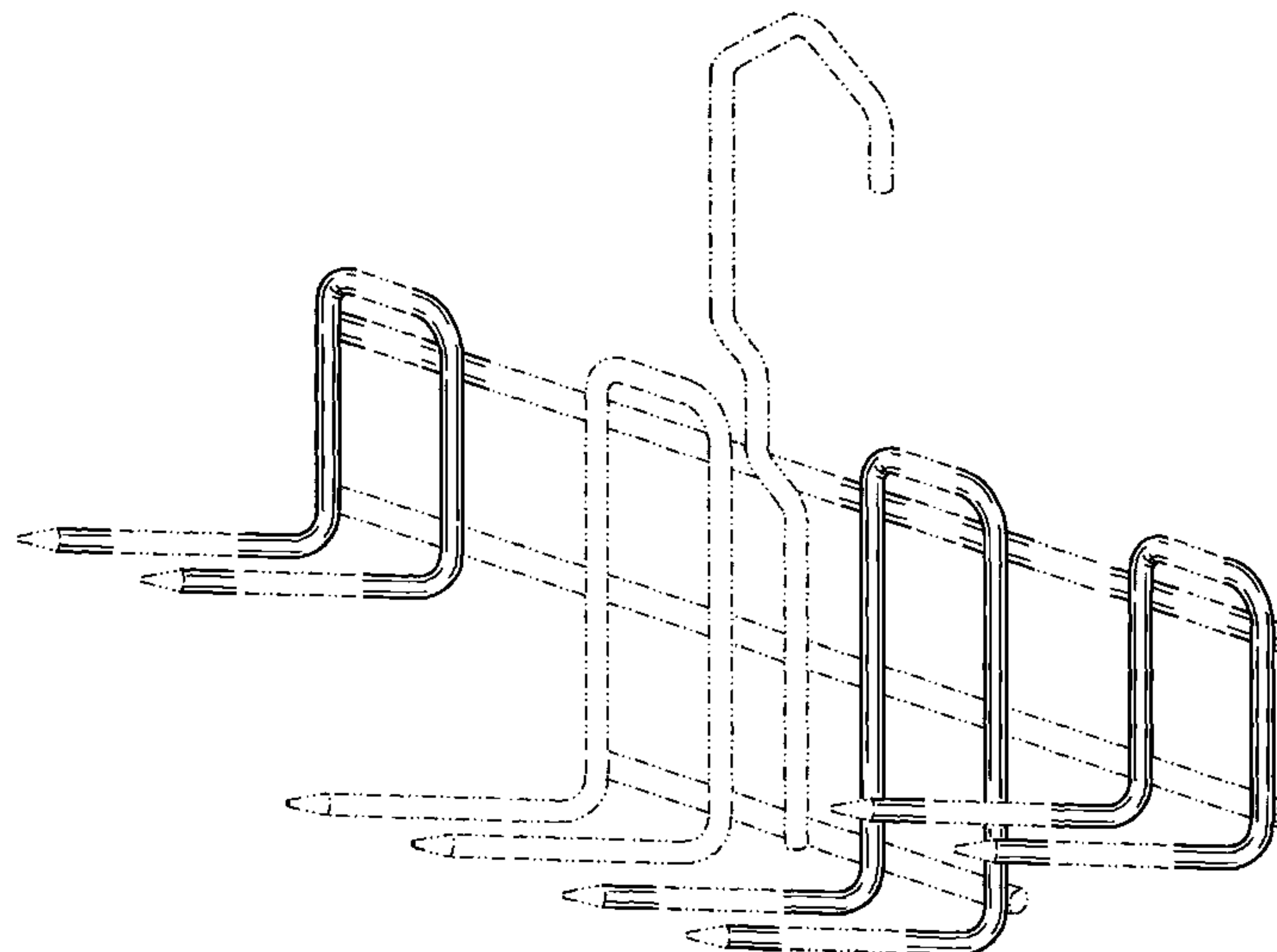
FIG. 5 is a right side elevation view thereof;

FIG. 6 is a rear elevation view thereof; and,

FIG. 7 is a bottom plan view thereof.

The broken lines are for illustration only and form no part of the claimed design.

1 Claim, 5 Drawing Sheets



US D589,070 S

Page 2

U.S. PATENT DOCUMENTS

5,334,088	A	8/1994	Le-Normand et al.	6,398,086	B1	6/2002	Bennett	
5,423,721	A	6/1995	Roush et al.	6,506,108	B1 *	1/2003	Jagusch 452/193
5,669,810	A	9/1997	Ware et al.	D568,916	S *	5/2008	Beld et al. D15/199
5,848,716	A	12/1998	Waranius	2006/0099901	A1	5/2006	Jagusch	
5,862,924	A	1/1999	Dumont	2006/0199488	A1	9/2006	Niemiec	
5,938,522	A	8/1999	Jagusch et al.					

* cited by examiner

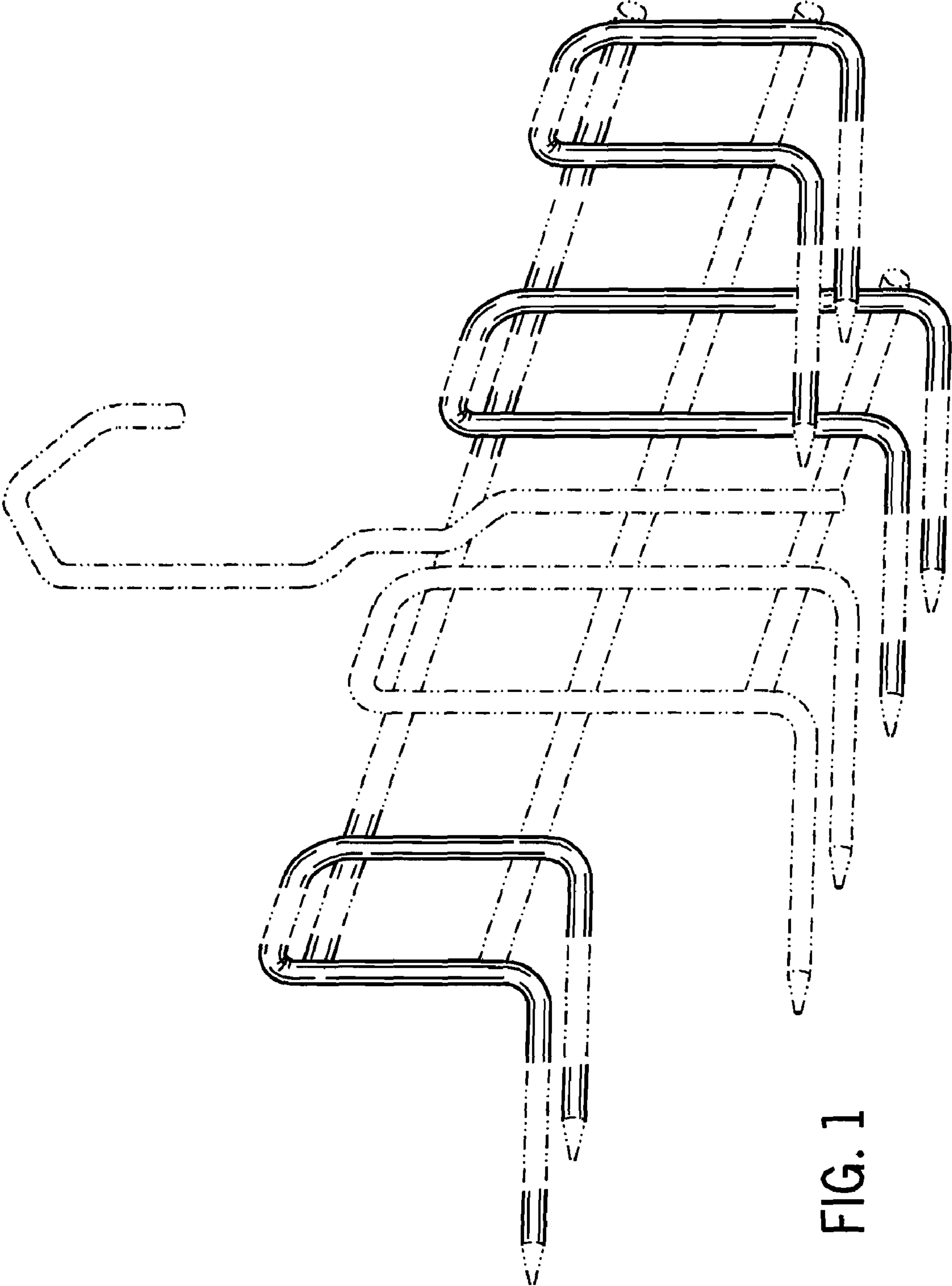


FIG. 1

FIG. 2

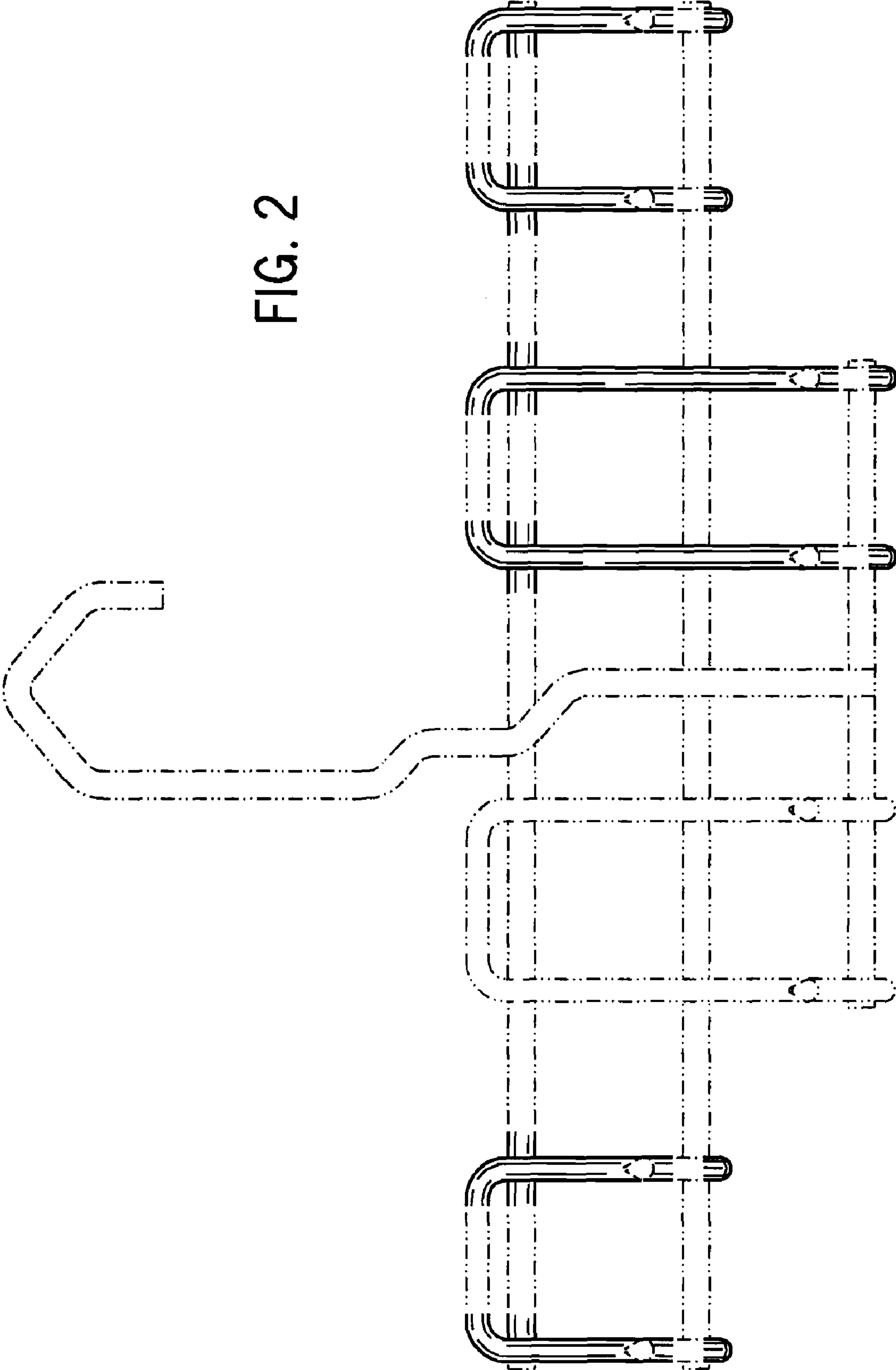


FIG. 5

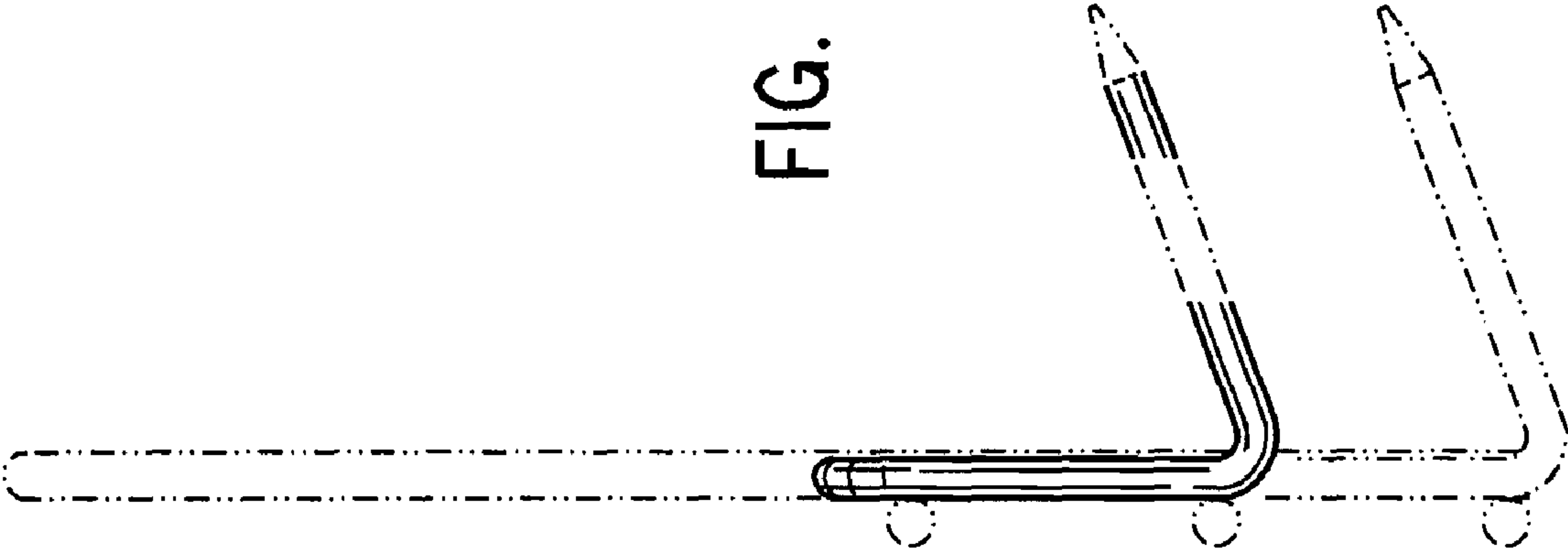
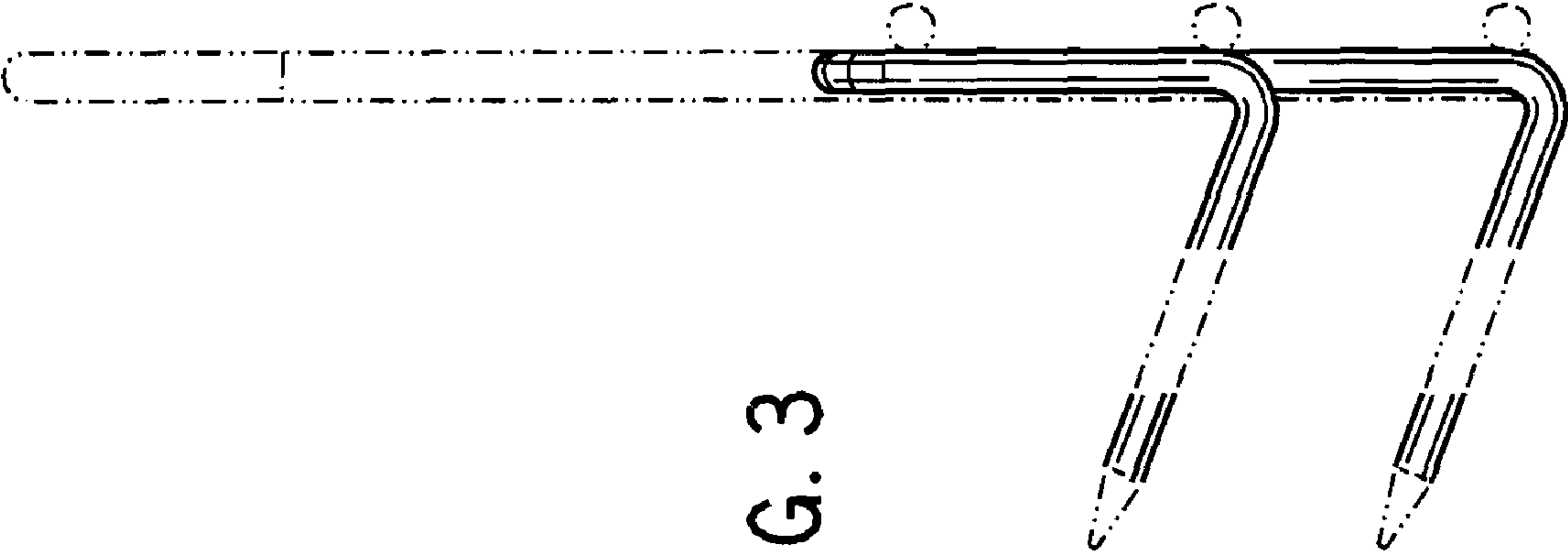


FIG. 3



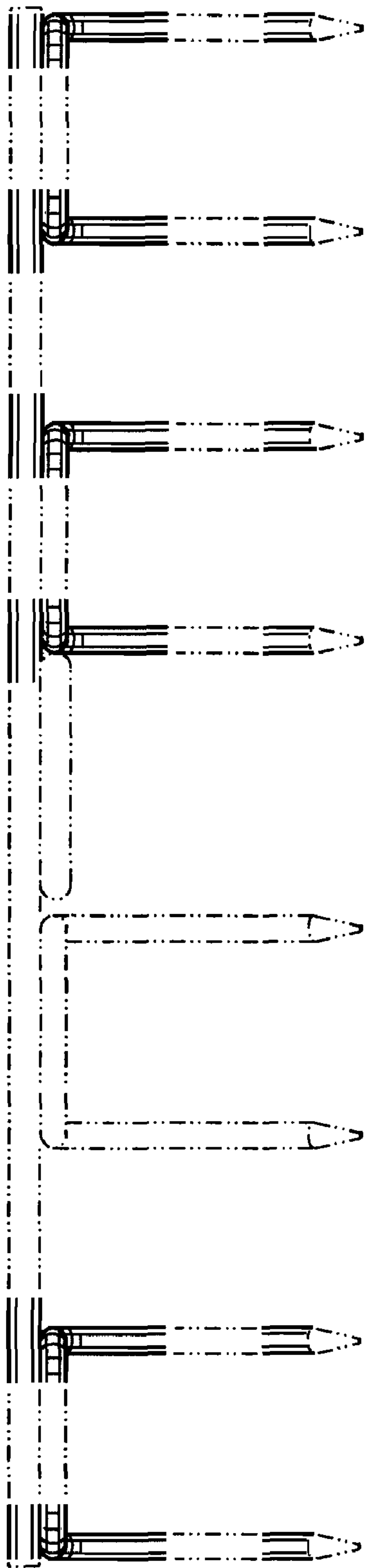


FIG. 4

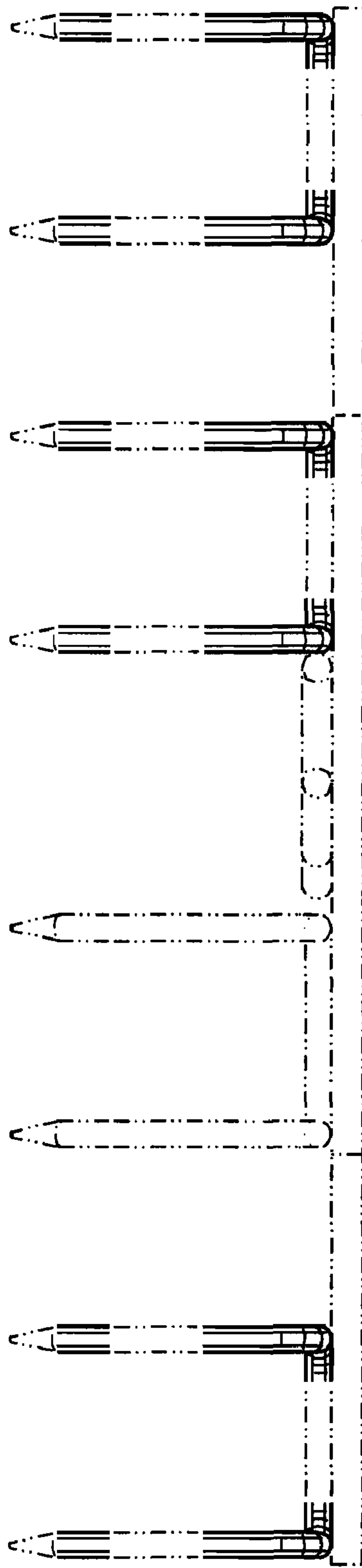


FIG. 7

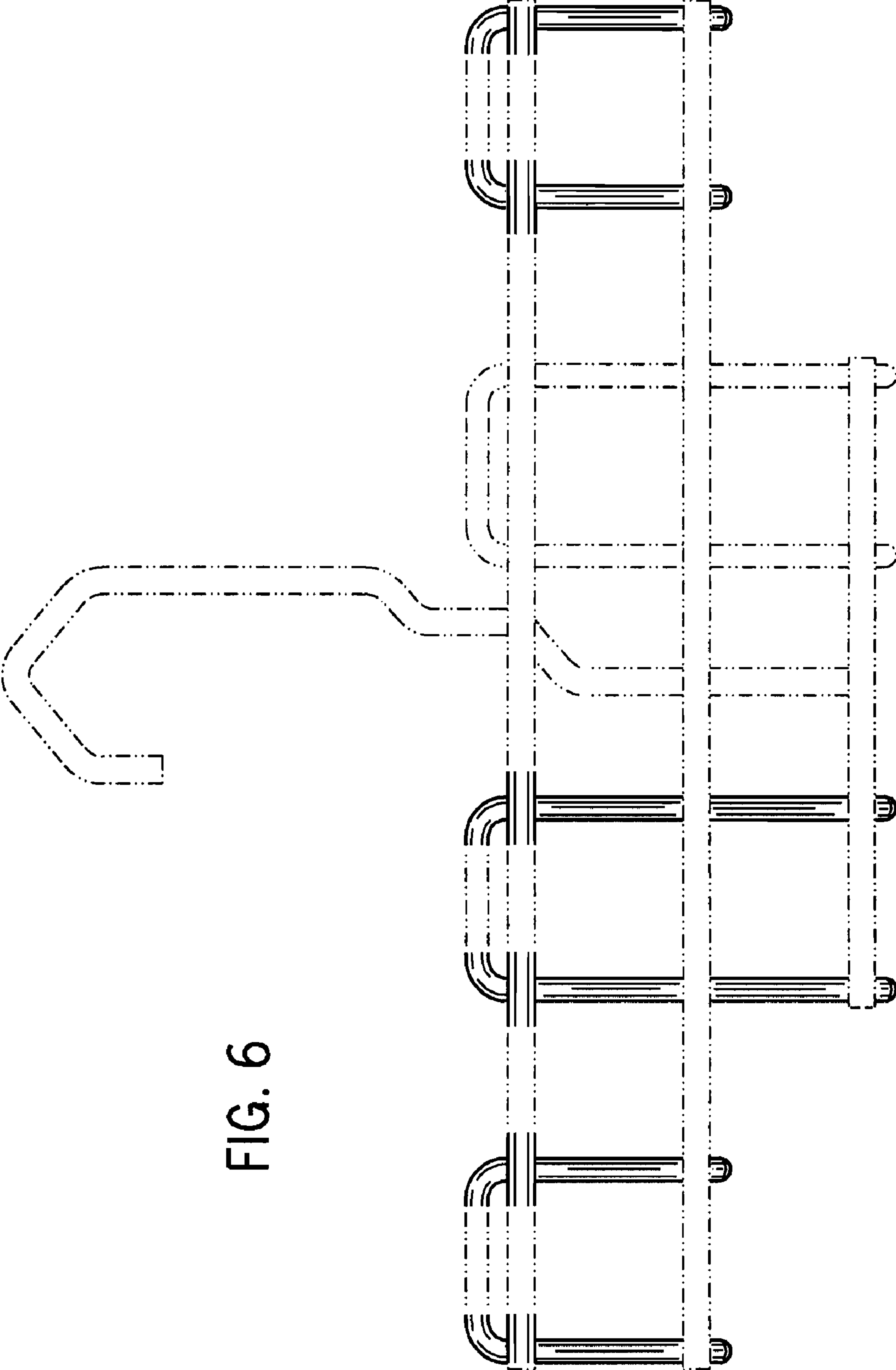


FIG. 6