



US00D589069S

(12) **United States Design Patent**
Chuang et al.

(10) **Patent No.:** **US D589,069 S**
(45) **Date of Patent:** **** Mar. 24, 2009**

(54) **HORSE RIDING MACHINE**

(76) Inventors: **Jin-Chen Chuang**, No. 17, Lane 301,
Nanyang Rd., Fongyuan City, Taichung
County 42083 (TW); **Lung-Fei Chuang**,
No. 17, Lane 301, Nanyang Rd.,
Fongyuan City, Taichung County 42083
(TW)

(**) Term: **14 Years**

(21) Appl. No.: **29/302,697**

(22) Filed: **Jan. 22, 2008**

(51) **LOC (9) Cl.** **15-99**

(52) **U.S. Cl.** **D15/199**

(58) **Field of Classification Search** D15/199;
D21/416, 429, 688, 832; D30/134, 135,
D30/143, 199; 272/52, 52.5, 53.1, 53.2;
434/247

See application file for complete search history.

(56) **References Cited**

U.S. PATENT DOCUMENTS

D165,491 S *	12/1951	Spangler	D21/416
2,854,064 A *	9/1958	Judd et al.	472/1
2,884,247 A *	4/1959	Johns	482/77
3,672,075 A *	6/1972	Eikelenboom	434/247
3,997,979 A *	12/1976	Turner	472/29
D284,296 S *	6/1986	Bossert et al.	D21/483
4,957,444 A *	9/1990	Armen	434/247
5,429,515 A *	7/1995	Greenwood	434/247
5,826,412 A *	10/1998	Harrell et al.	54/1
6,120,375 A *	9/2000	Takahashi	463/7
6,210,286 B1 *	4/2001	Ohara et al.	472/97
6,264,569 B1 *	7/2001	Cannavino	472/95
6,402,626 B1 *	6/2002	Beaty	472/96

6,808,458 B1 *	10/2004	Jung	472/97
6,964,614 B1 *	11/2005	Tsai	472/58
7,070,415 B2 *	7/2006	Hojo et al.	434/247
2003/0073504 A1 *	4/2003	Ettenhofer	472/104
2006/0147887 A1 *	7/2006	Greenwood	434/247
2007/0275358 A1 *	11/2007	Nakanishi	434/247

* cited by examiner

Primary Examiner—Sandra Snapp
Assistant Examiner—Patricia Palasik
(74) *Attorney, Agent, or Firm*—Banger Shia

(57) **CLAIM**

The ornamental design for a horse riding machine, as shown and described.

DESCRIPTION

FIG. 1 is a perspective view of a horse riding machine showing my new design;

FIG. 2 is a front elevational view thereof;

FIG. 3 is a rear elevational view thereof,

FIG. 4 is a left side elevational view thereof,

FIG. 5 is a right side elevational view thereof,

FIG. 6 is a top plan view thereof; and

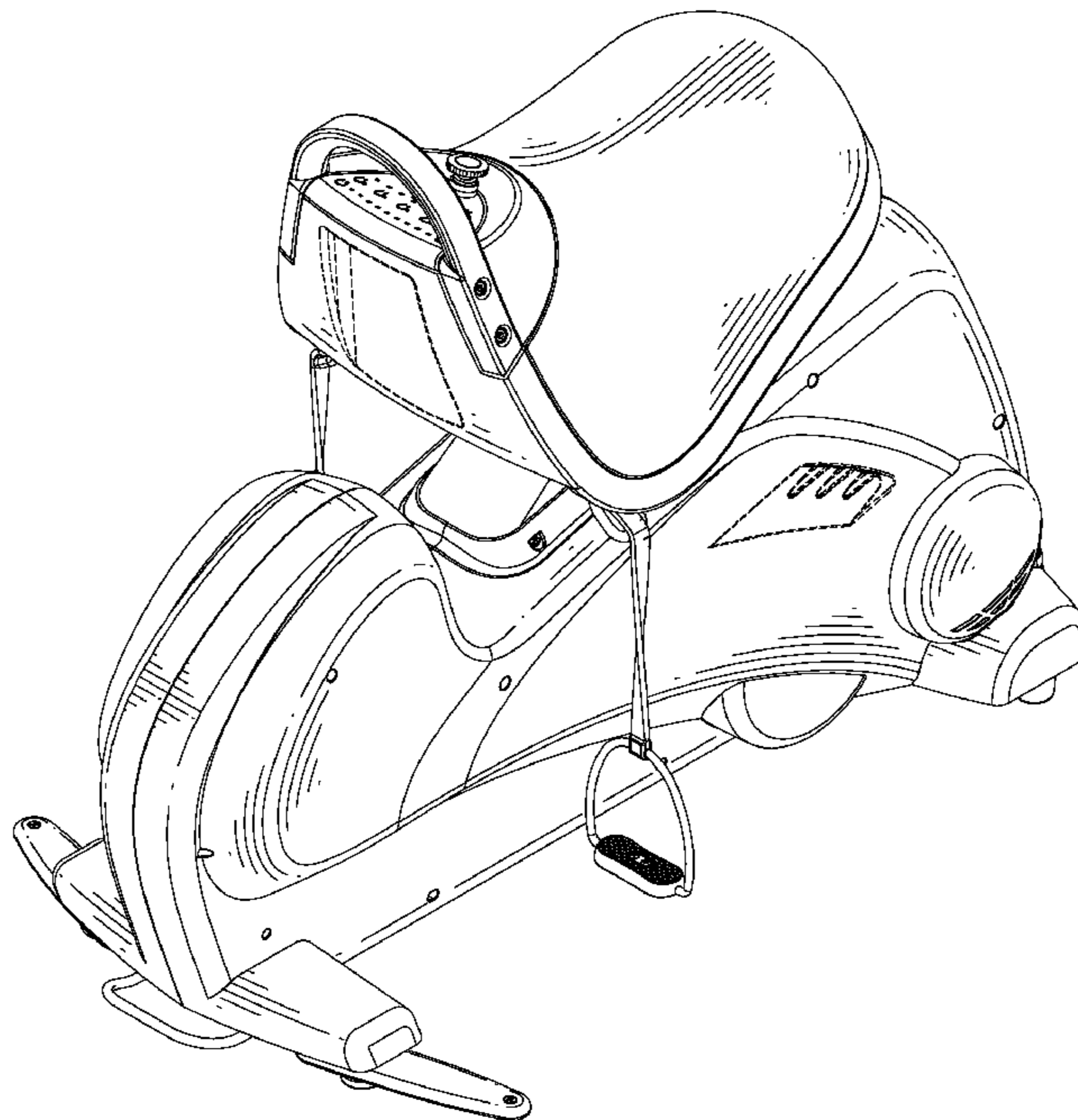
FIG. 7 is a bottom plan view thereof; and

FIG. 8 is a perspective view of embodiment 1; and,

FIG. 9 is a perspective view of a second embodiment of the horse riding machine.

The broken line showing of the horse riding machine is included for the purpose of illustrating portions of the horse riding machine and forms no part of the claimed design.

1 Claim, 9 Drawing Sheets



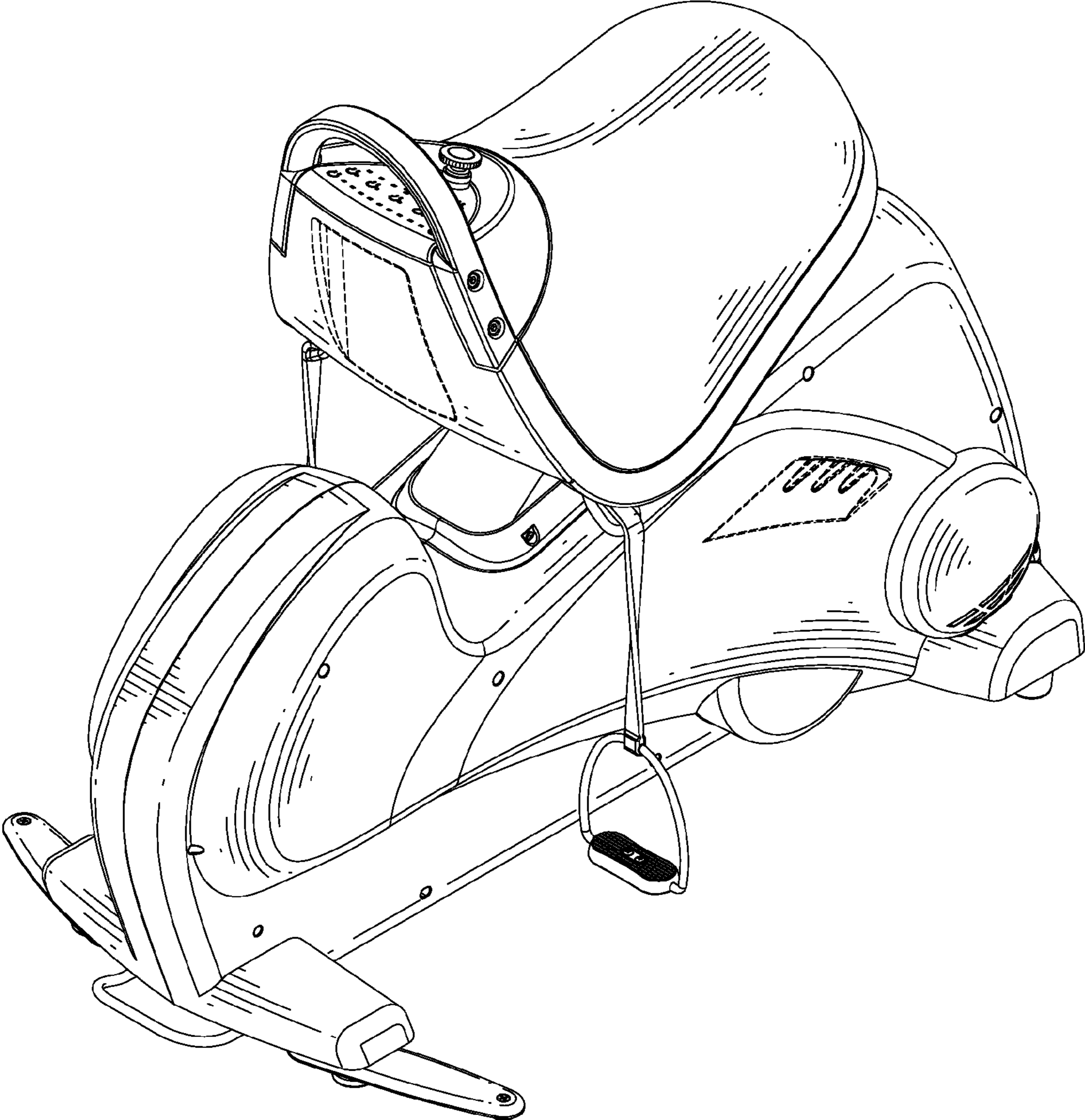


FIG. 1

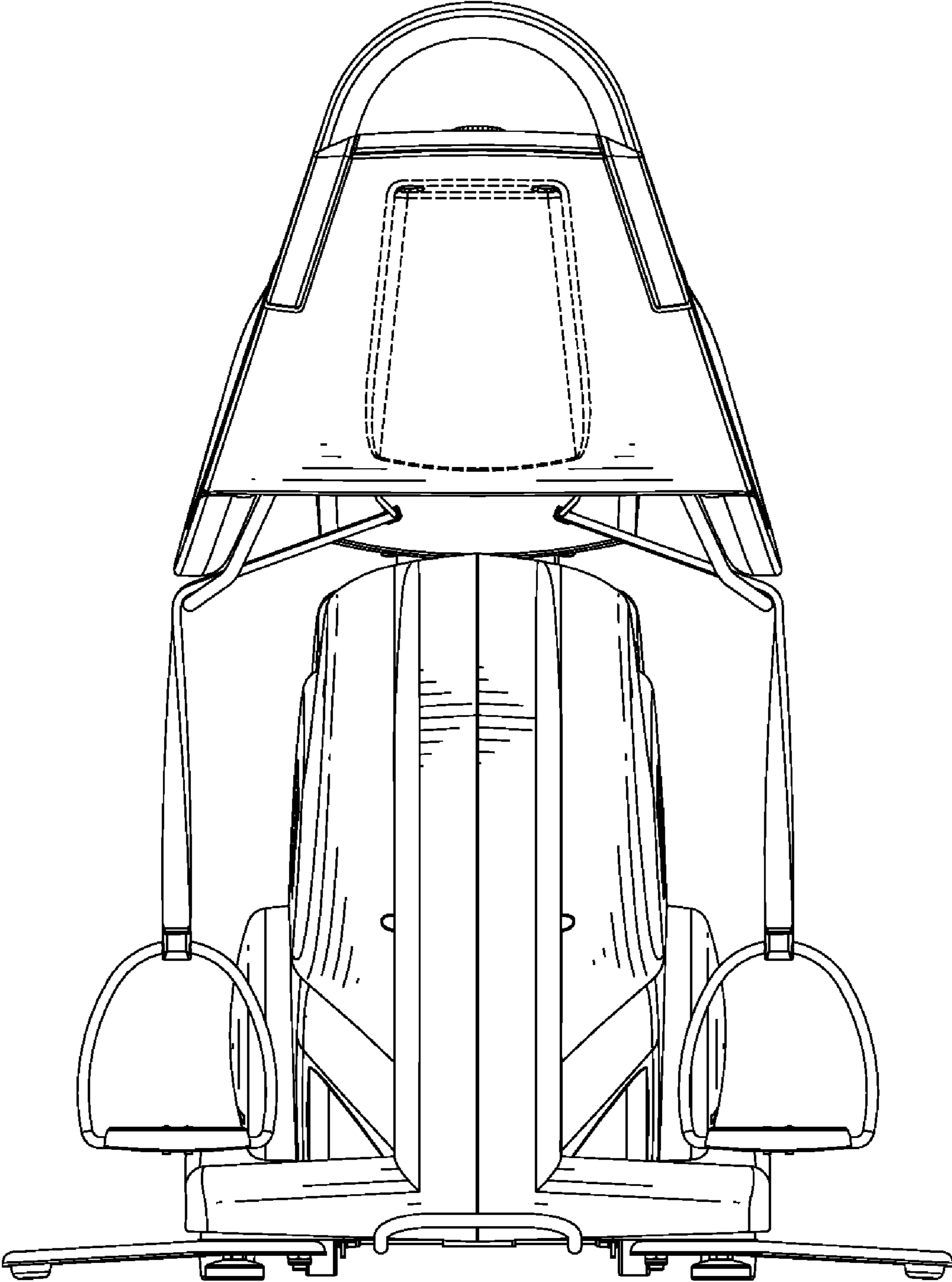


FIG. 2

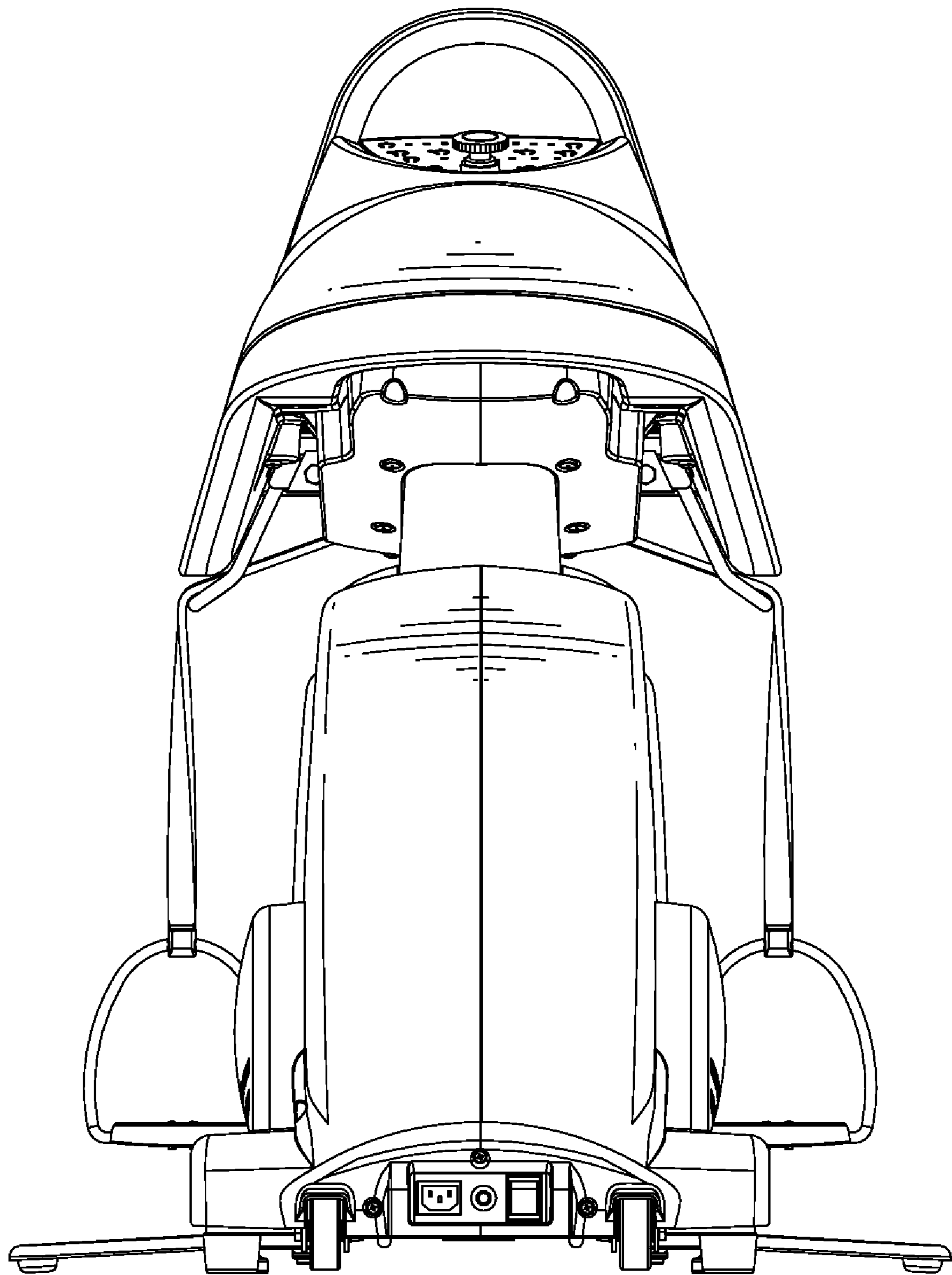


FIG. 3

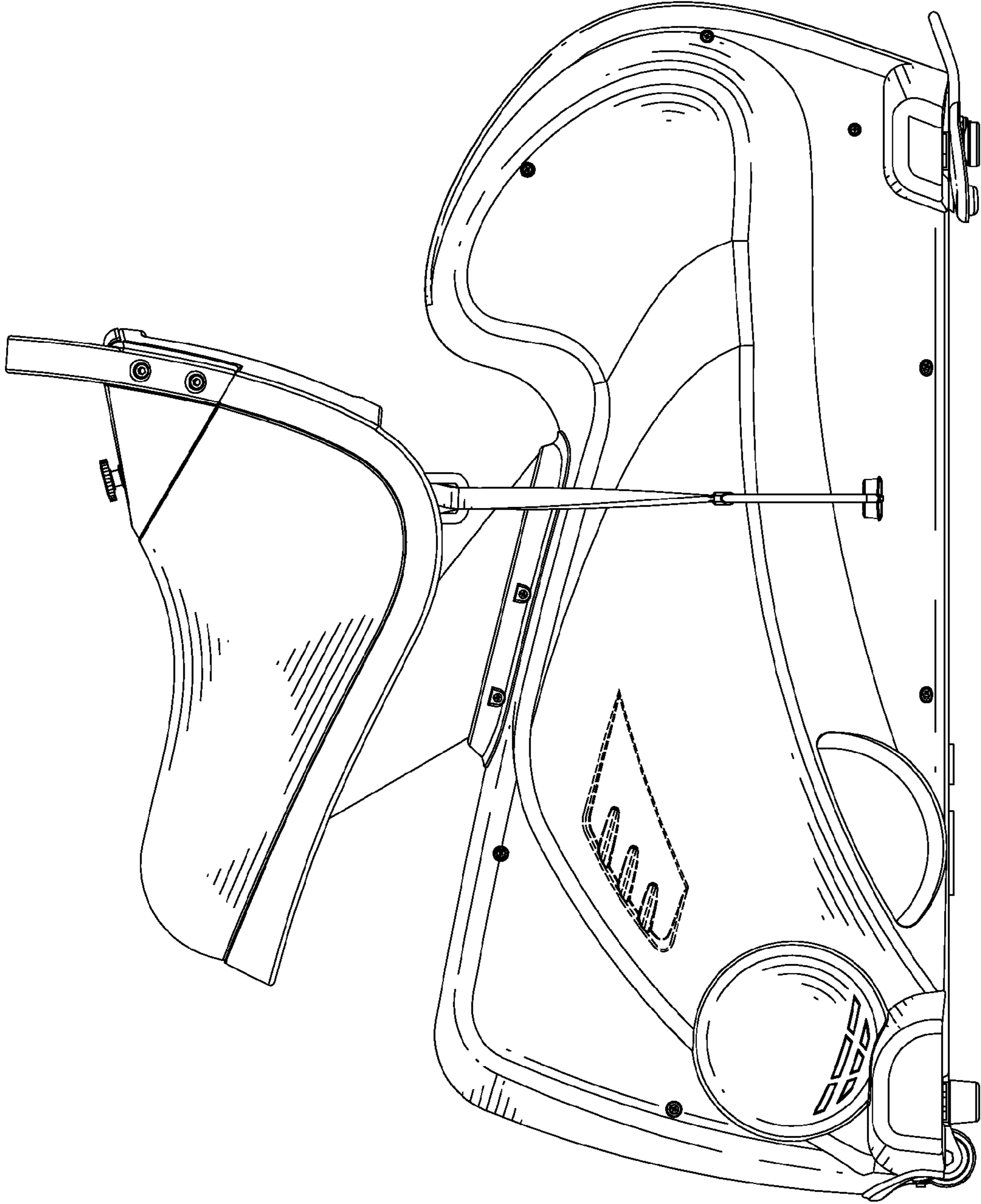


FIG. 4

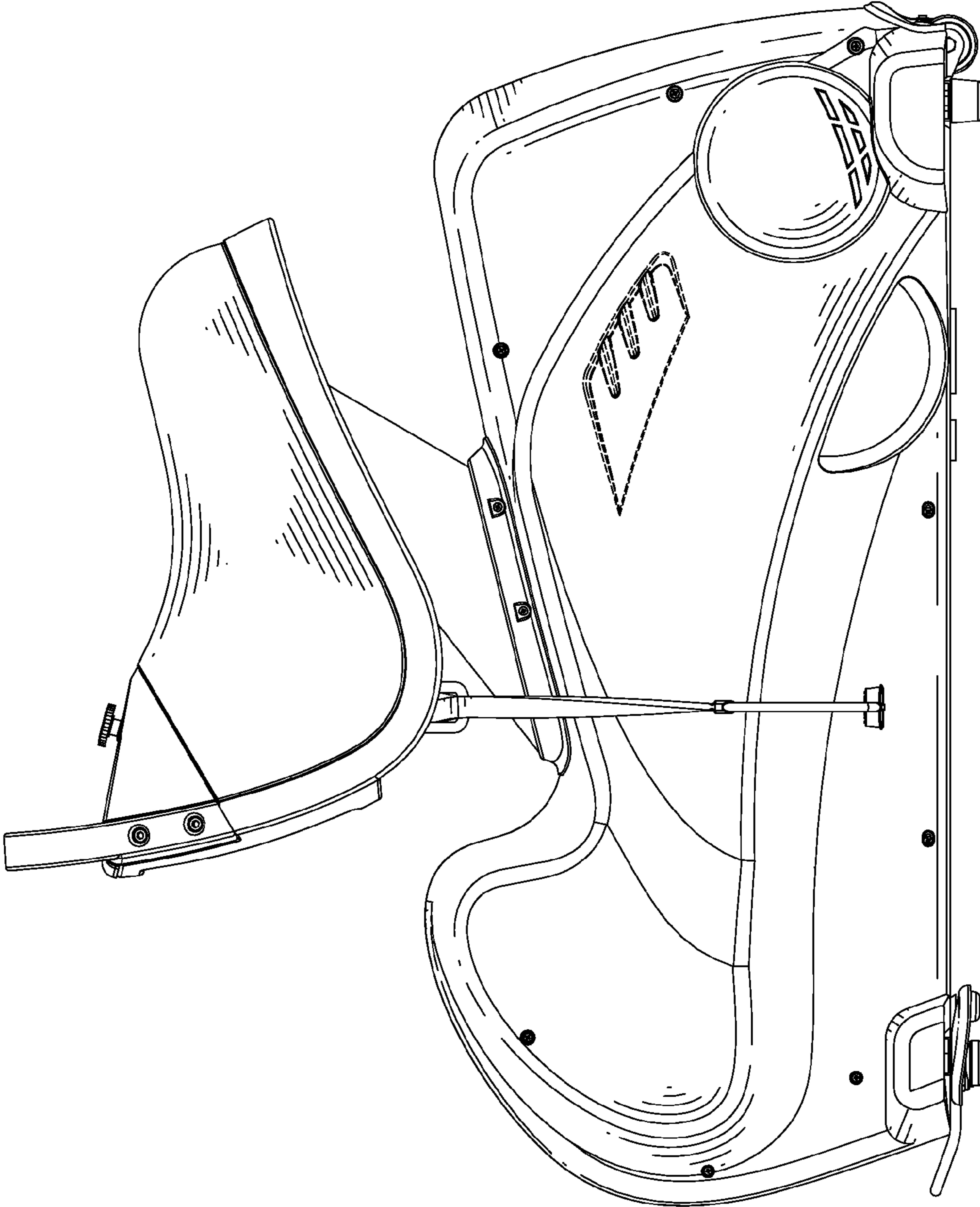


FIG. 5

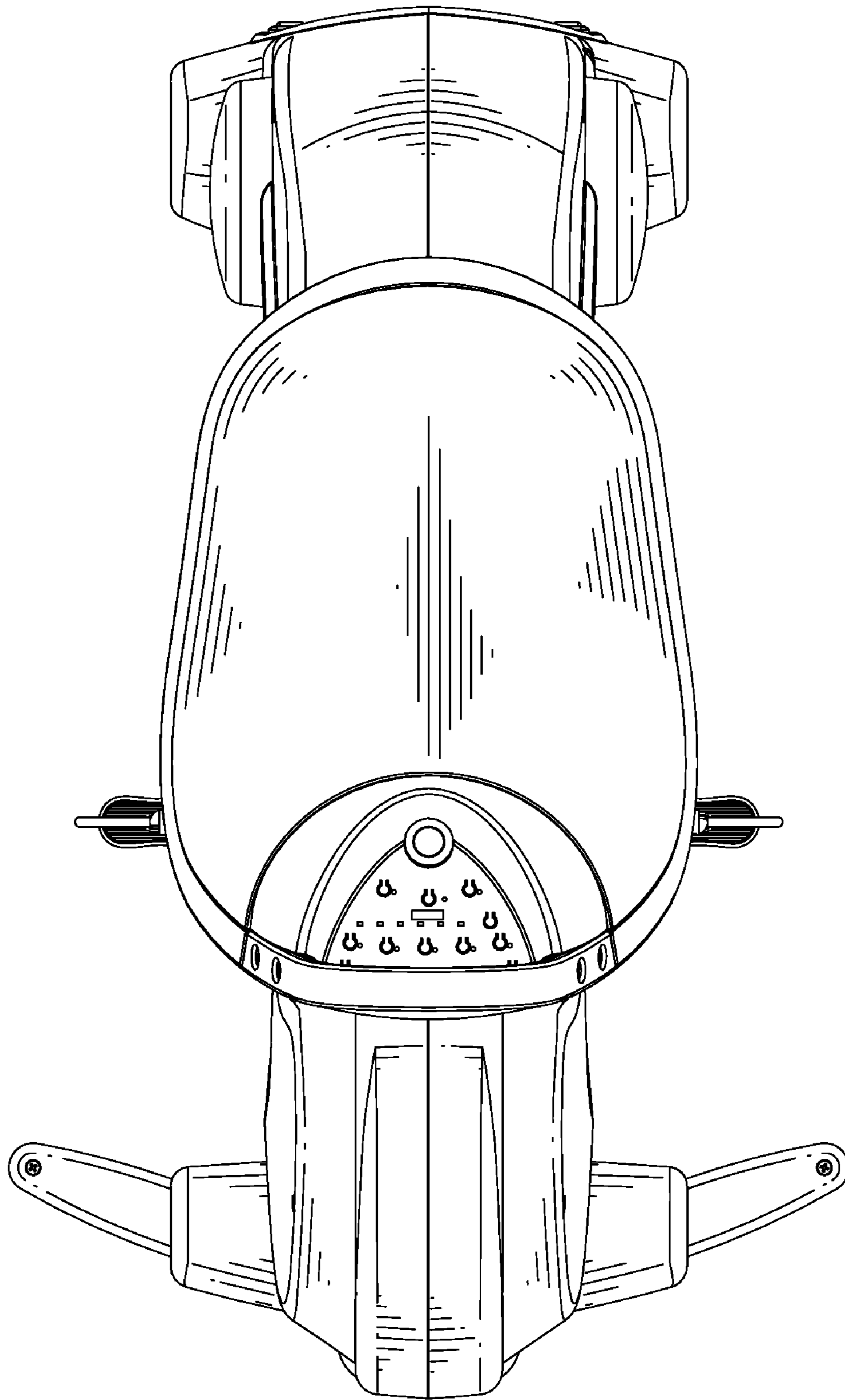


FIG. 6

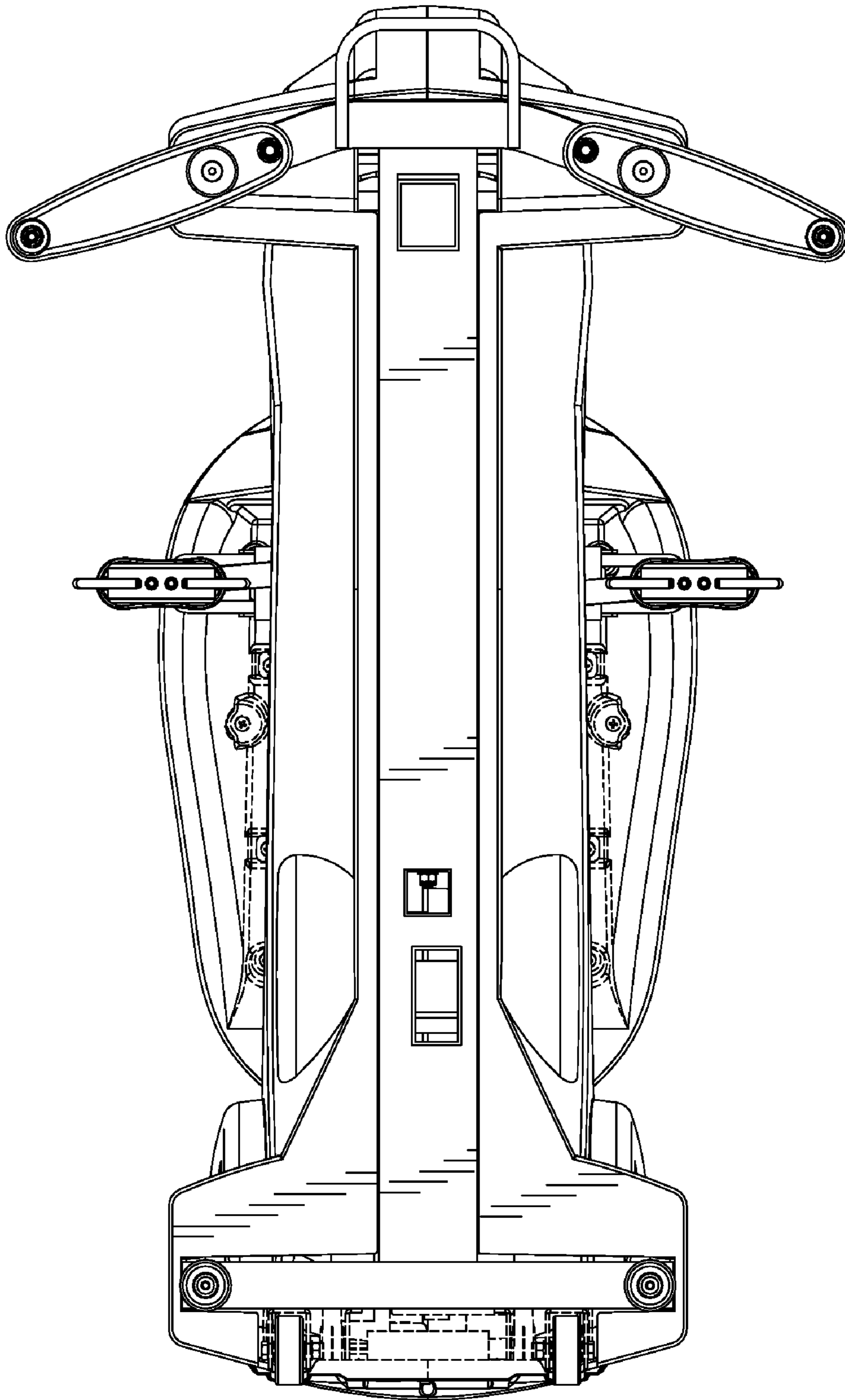


FIG. 7

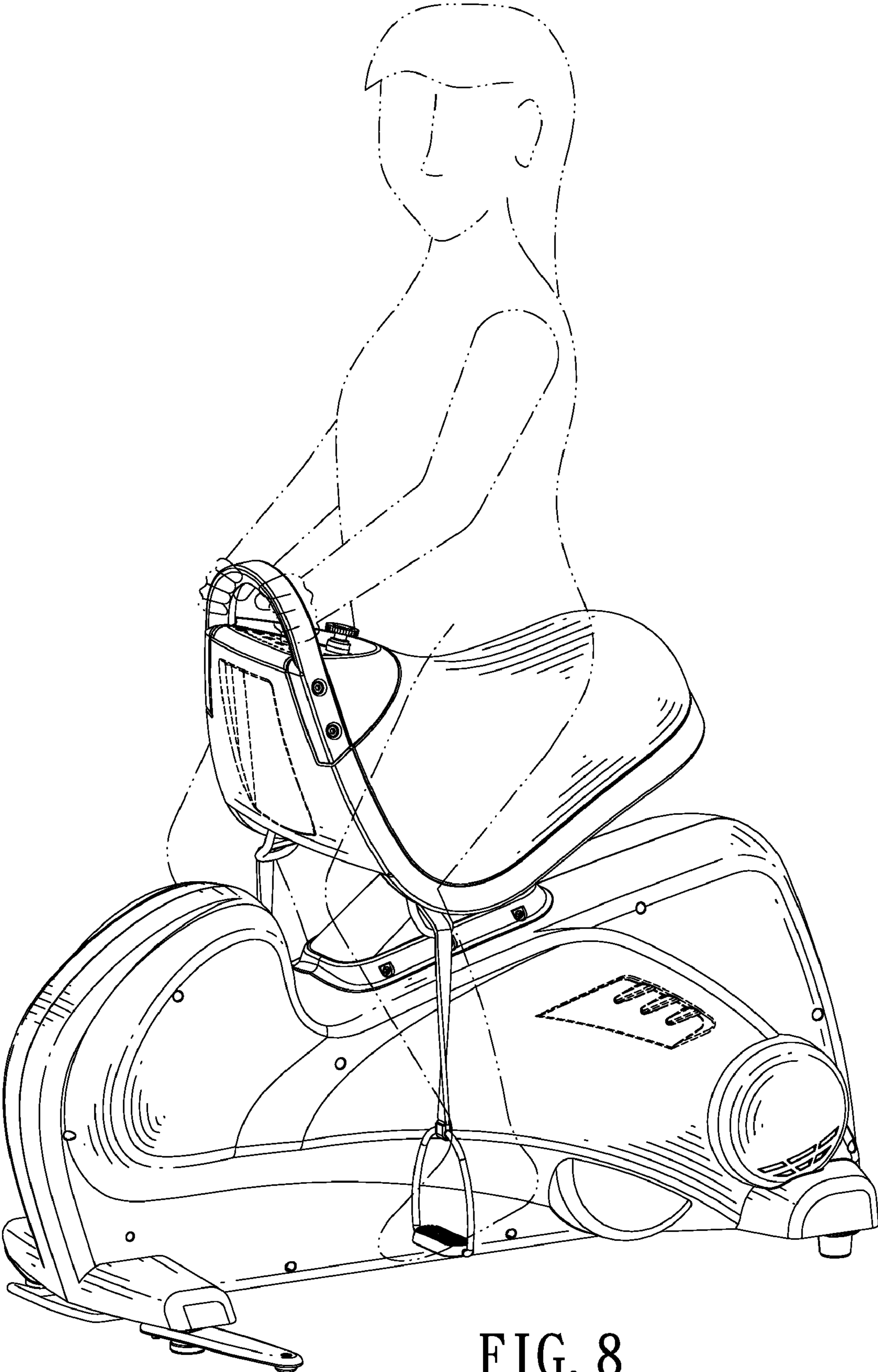


FIG. 8

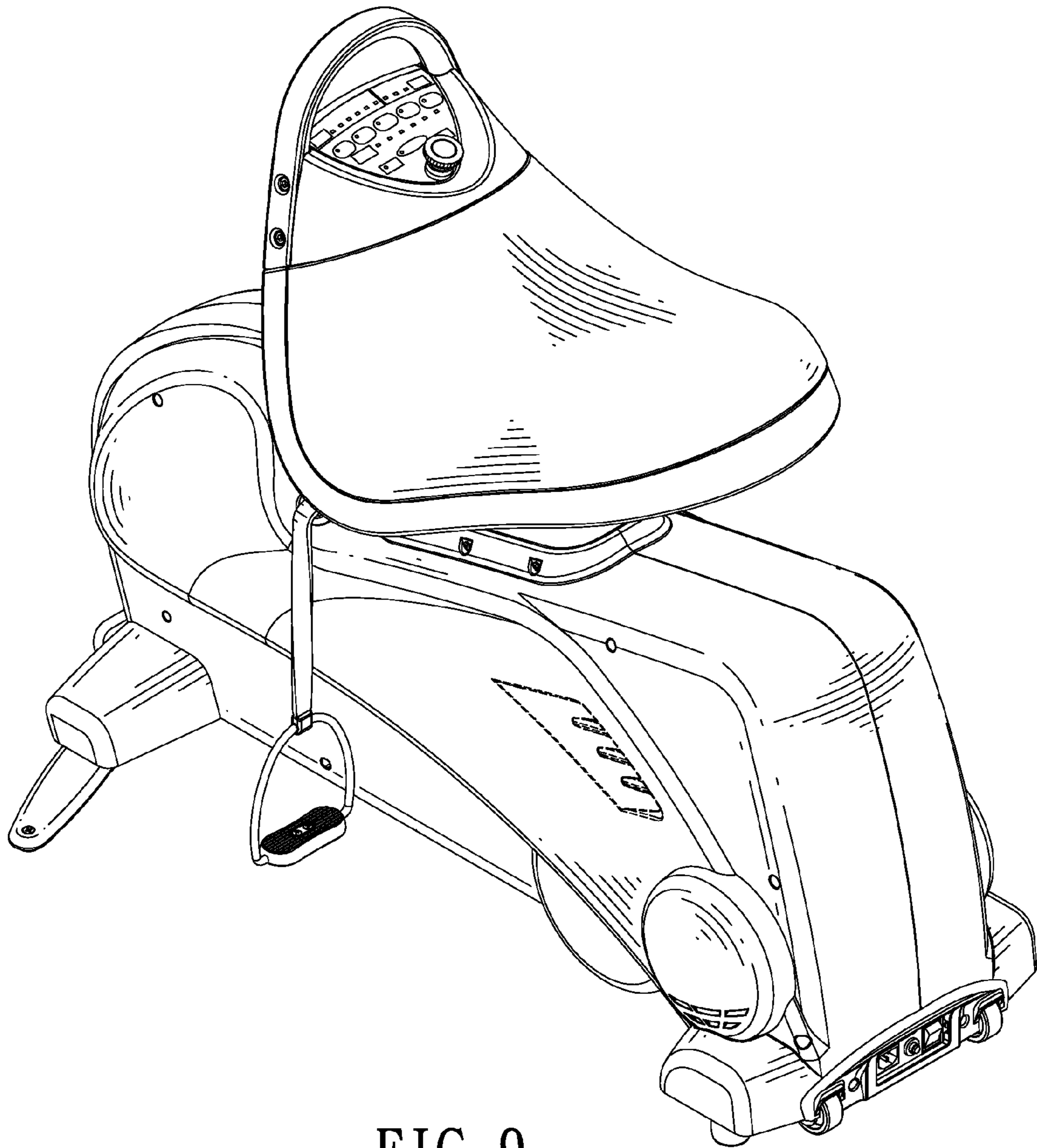


FIG. 9