



US00D589067S

(12) **United States Design Patent**  
**Yamamoto**

(10) **Patent No.:** **US D589,067 S**  
(45) **Date of Patent:** **\*\* Mar. 24, 2009**

(54) **VIBRATORY ROLLER**

(75) Inventor: **Yuichiro Yamamoto**, Saitama (JP)

(73) Assignee: **Sakai Heavy Industries, Ltd.**, Tokyo (JP)

(\*\*) Term: **14 Years**

(21) Appl. No.: **29/300,659**

(22) Filed: **Apr. 23, 2008**

(30) **Foreign Application Priority Data**

Oct. 24, 2007 (JP) ..... 2007-029192

(51) **LOC (9) Cl.** ..... **15-03**

(52) **U.S. Cl.** ..... **D15/28; D15/20**

(58) **Field of Classification Search** ..... D15/20-26,  
D15/28, 32, 33, 10; D12/14; 404/117, 122,  
404/125, 128; 405/271; 180/89.12, 20; 172/115;  
296/187.01, 193.09, 203.01, 193.01  
See application file for complete search history.

(56) **References Cited**

**U.S. PATENT DOCUMENTS**

D207,532	S	*	5/1967	Garis	.....	D15/20
4,227,827	A	*	10/1980	Arenz	.....	404/121
D275,678	S	*	9/1984	Mawhorr et al.	.....	D15/20
RE33,312	E	*	8/1990	Elliot	.....	404/124
D396,431	S	*	7/1998	Lindgren et al.	.....	D12/14
D396,727	S	*	8/1998	Geier et al.	.....	D15/20
D466,135	S	*	11/2002	Spomer et al.	.....	D15/33
D516,094	S	*	2/2006	Dotsch et al.	.....	D15/20

7,004,275	B1	*	2/2006	Junga et al.	.....	180/89.13
2001/0048221	A1	*	12/2001	Mitsui	.....	280/801.1
2002/0197110	A1	*	12/2002	Saito et al.	.....	404/117
2003/0021629	A1	*	1/2003	Swanson et al.	.....	404/117
2006/0034659	A1	*	2/2006	Magee	.....	404/117
2006/0147265	A1	*	7/2006	Fluent et al.	.....	404/117

\* cited by examiner

*Primary Examiner*—Stella M Reid

*Assistant Examiner*—Mark A Goodwin

(74) *Attorney, Agent, or Firm*—Crowell & Moring LLP

(57) **CLAIM**

The ornamental design for a vibratory roller, as shown and described.

**DESCRIPTION**

FIG. 1 is a top left front perspective view of a vibratory roller showing my new design;

FIG. 2 is a top right rear perspective view thereof;

FIG. 3 is a top right front perspective view thereof;

FIG. 4 is a left side view thereof;

FIG. 5 is a right side view of thereof;

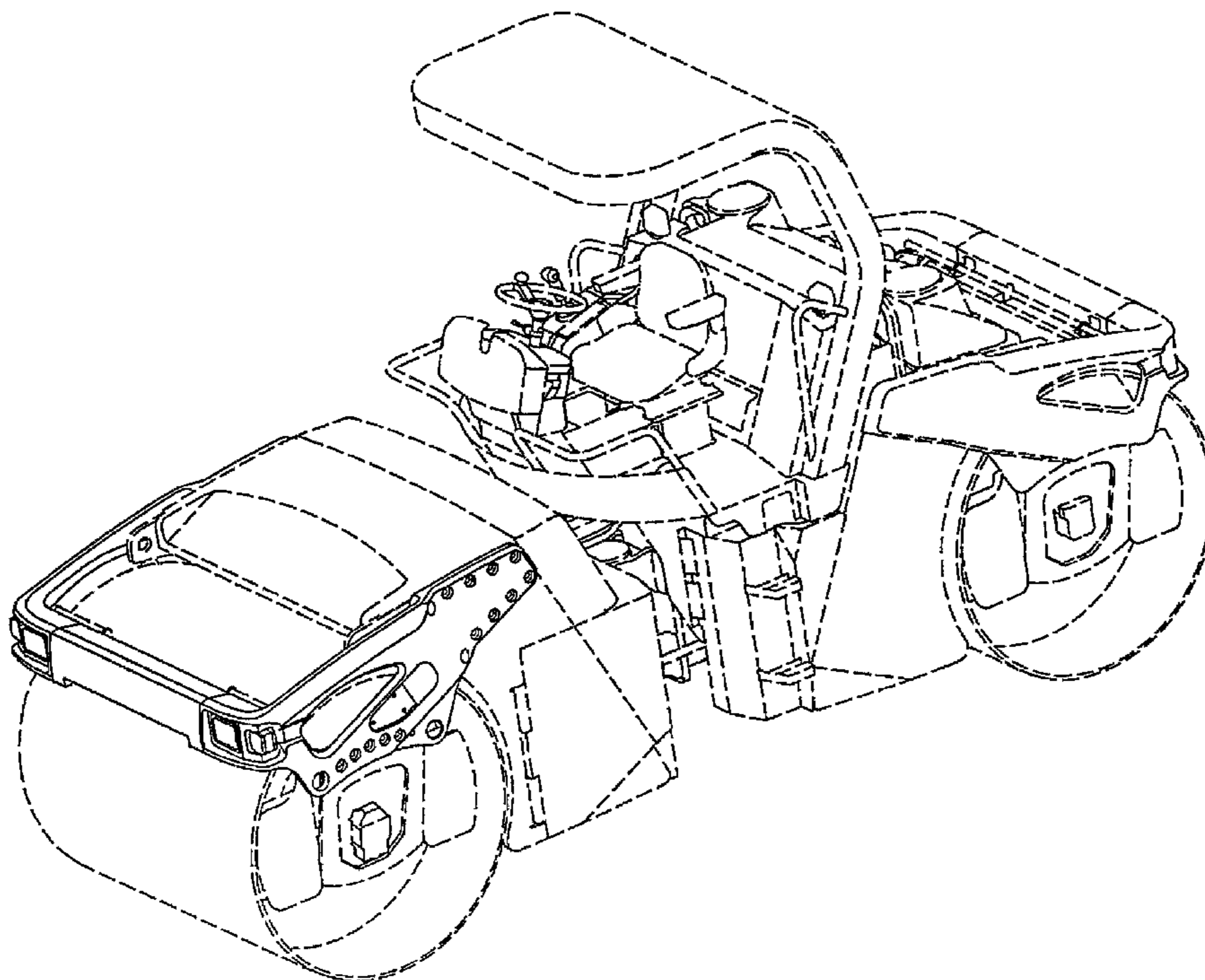
FIG. 6 is a top plan view of thereof;

FIG. 7 is a rear view thereof; and,

FIG. 8 is a front view of thereof.

The broken line showing of the vibratory roller is included for the purpose of illustrating environmental structure and forms no part of the claimed design.

**1 Claim, 8 Drawing Sheets**



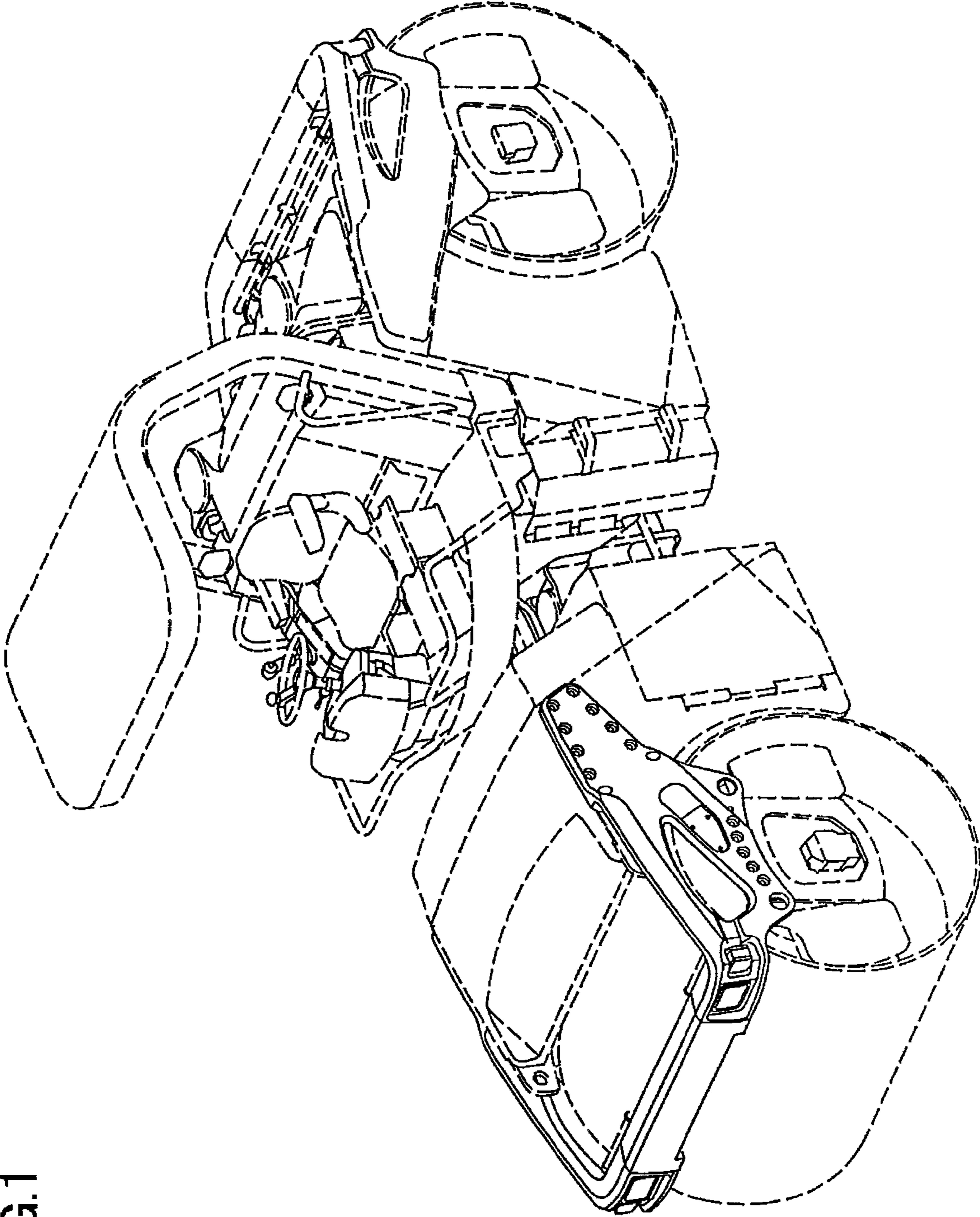


FIG.1

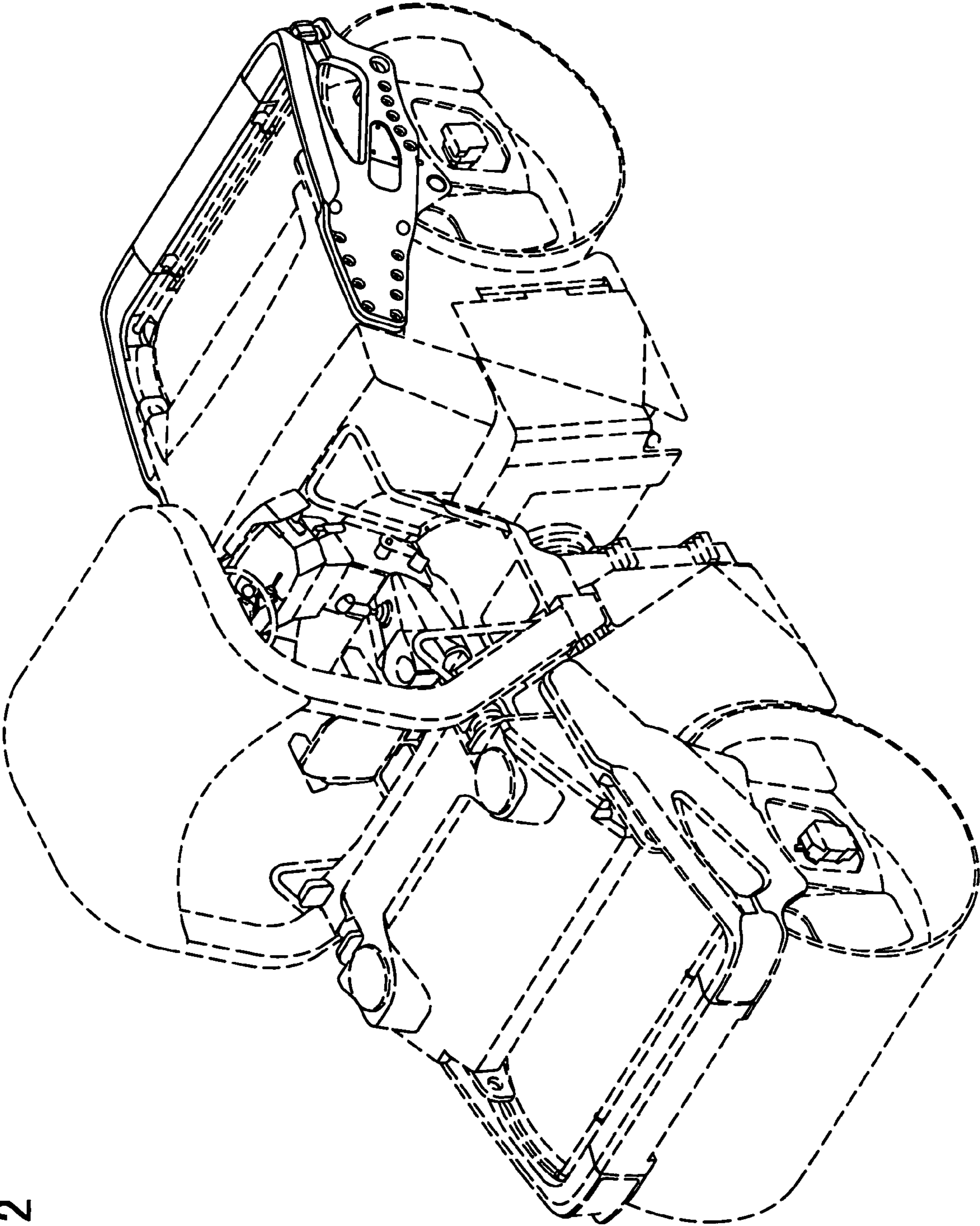


FIG.2

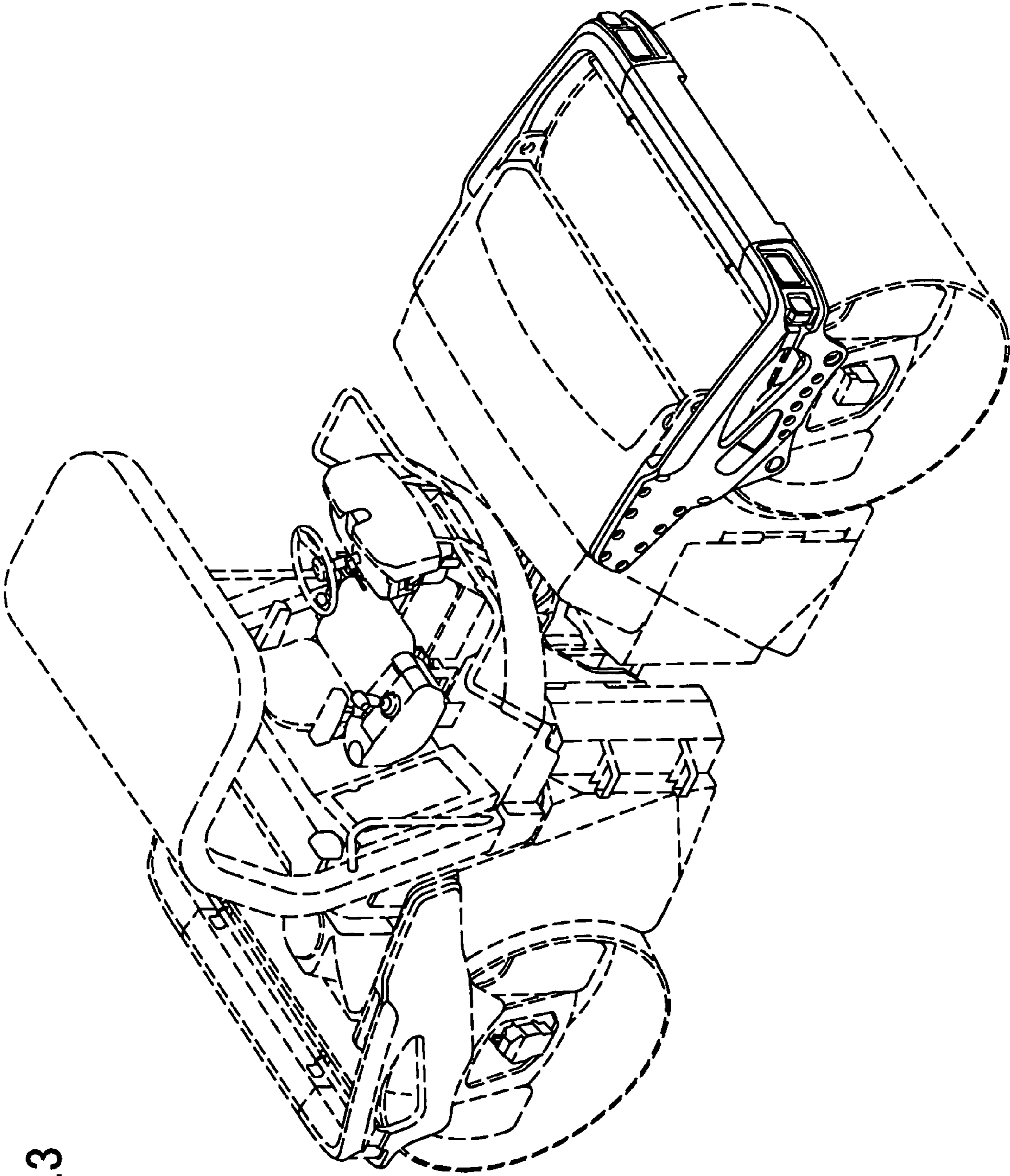


FIG.3

FIG.4

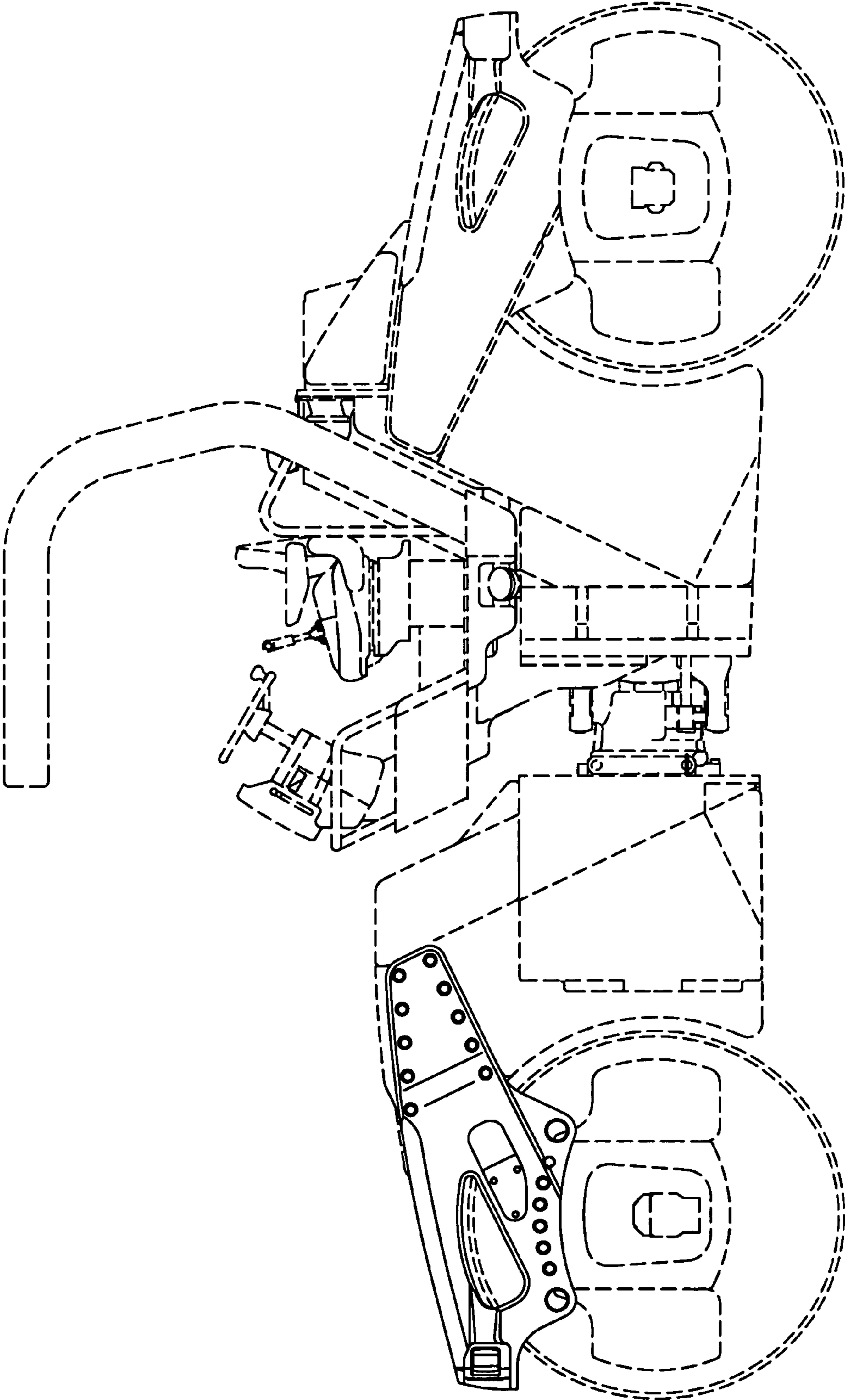


FIG.5

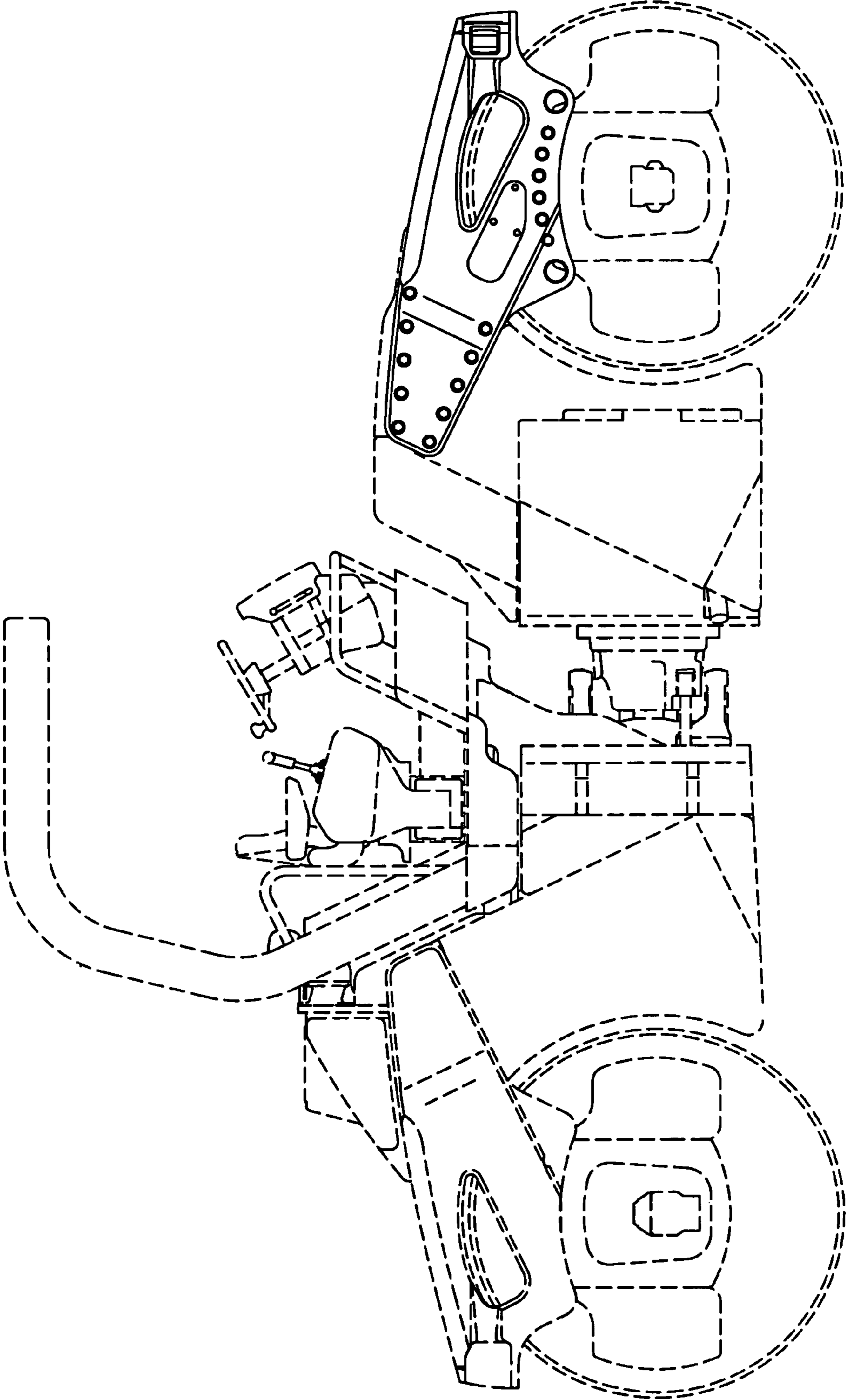


FIG.6

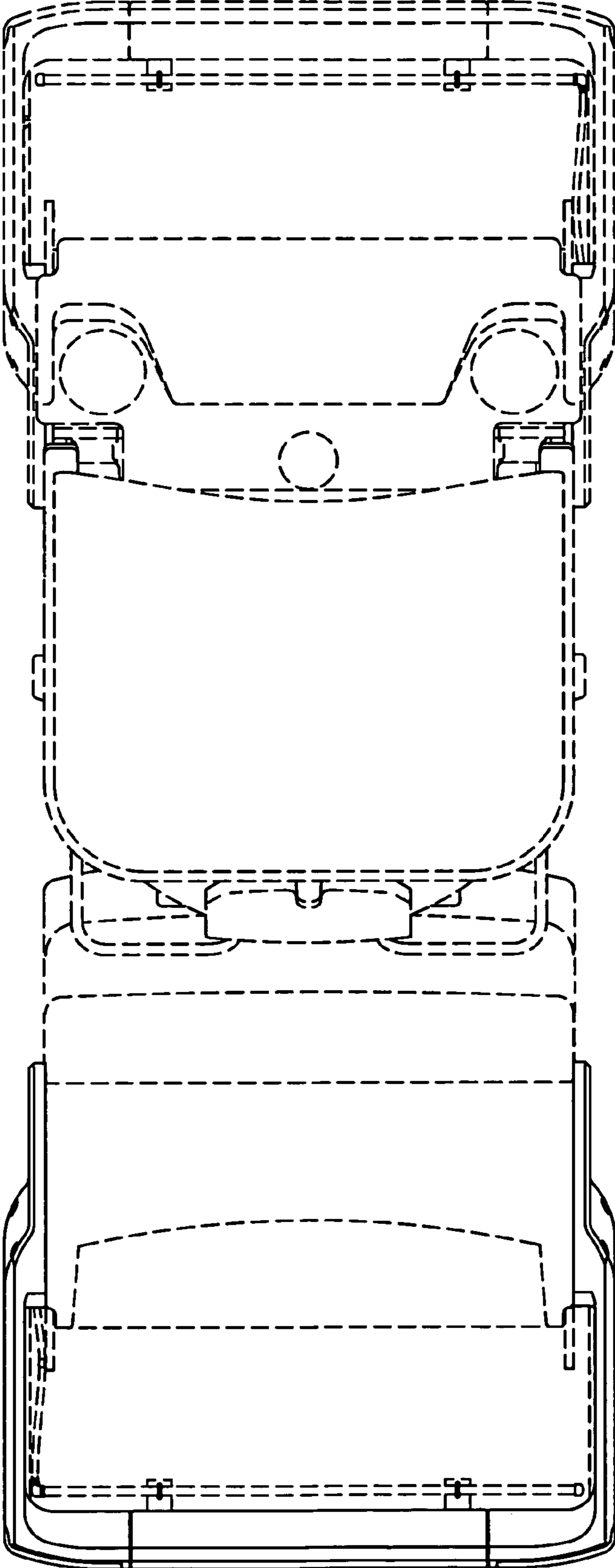


FIG. 7

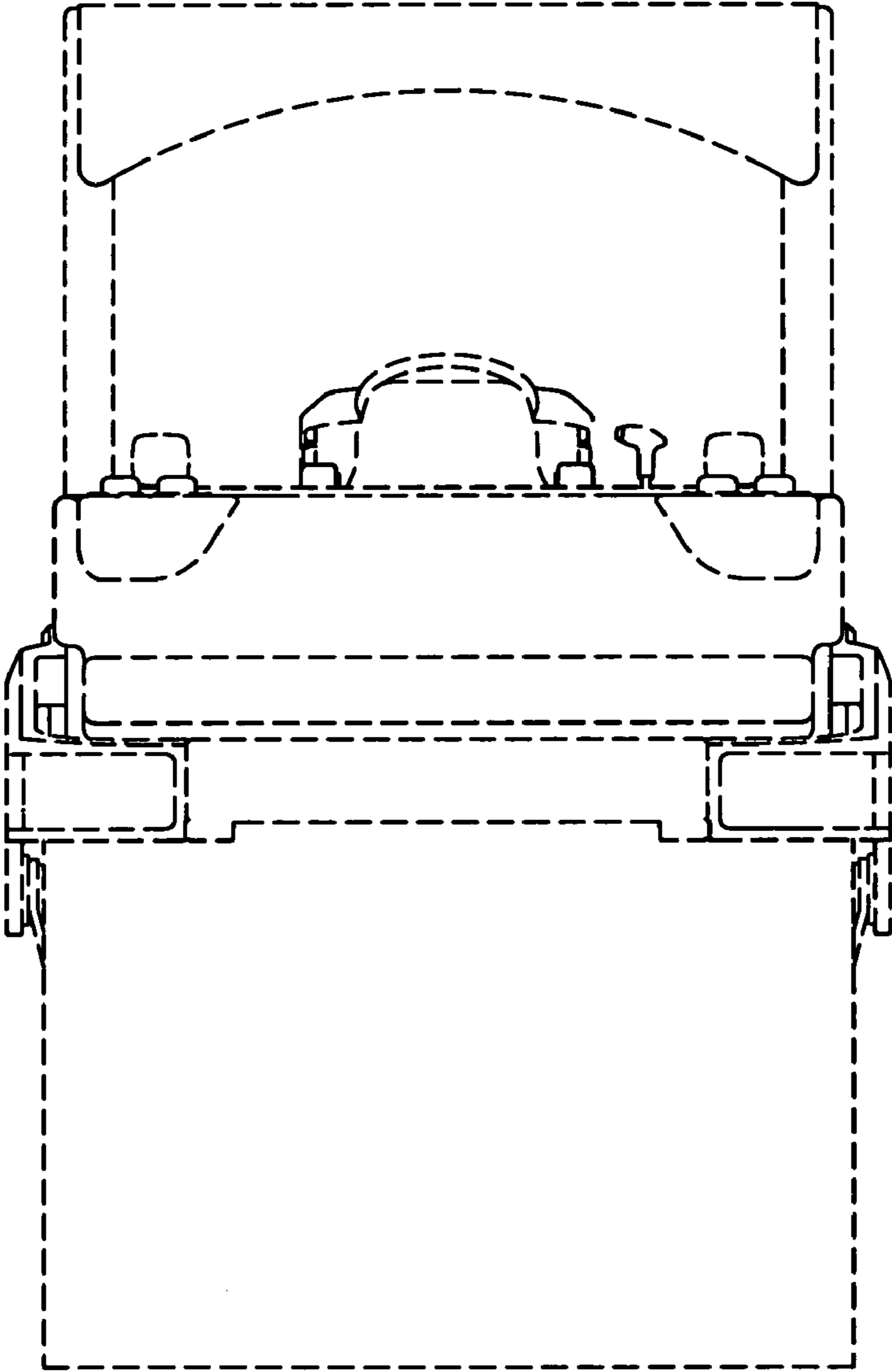




FIG.8

