



US00D589065S

(12) **United States Design Patent**  
**Leasure et al.**

(10) **Patent No.:** **US D589,065 S**  
(45) **Date of Patent:** **\*\* Mar. 24, 2009**

(54) **AIR COMPRESSOR**

(75) Inventors: **Jeremy D. Leasure**, Jackson, TN (US);  
**Mark A. Etter**, Independence, MO  
(US); **Robert P. Welsh**, Phoenix, MD  
(US); **Stephen J. Vos**, Jackson, TN (US)

(73) Assignee: **Black & Decker Inc.**, Newark, DE (US)

(\*\*) Term: **14 Years**

(21) Appl. No.: **29/323,130**

(22) Filed: **Aug. 19, 2008**

**Related U.S. Application Data**

(60) Division of application No. 29/250,467, filed on Nov. 16, 2006, now Pat. No. Des. 576,512, which is a continuation-in-part of application No. 29/237,453, filed on Aug. 31, 2005, now abandoned.

(51) **LOC (9) Cl.** ..... **15-02**

(52) **U.S. Cl.** ..... **D15/9**

(58) **Field of Classification Search** ..... D15/7-9;  
D23/231, 232, 225; 417/410.1, 359, 415-416,  
417/234, 321, 265, 405

See application file for complete search history.

(56) **References Cited**

**U.S. PATENT DOCUMENTS**

D446,792 S \* 8/2001 Matthew et al. .... D15/9

D519,126 S \* 4/2006 Leasure et al. .... D15/9  
D535,309 S \* 1/2007 Breecham et al. .... D15/9  
D562,851 S \* 2/2008 Leasure ..... D15/9

\* cited by examiner

*Primary Examiner*—R. Seifert

(74) *Attorney, Agent, or Firm*—Rhonda L. Barton; Michael P. Peary

(57) **CLAIM**

The ornamental design for an air compressor, as shown and described.

**DESCRIPTION**

FIG. 1 is a right/front perspective view of an air compressor showing our new design.

FIG. 2 is a front view thereof.

FIG. 3 is a rear view thereof.

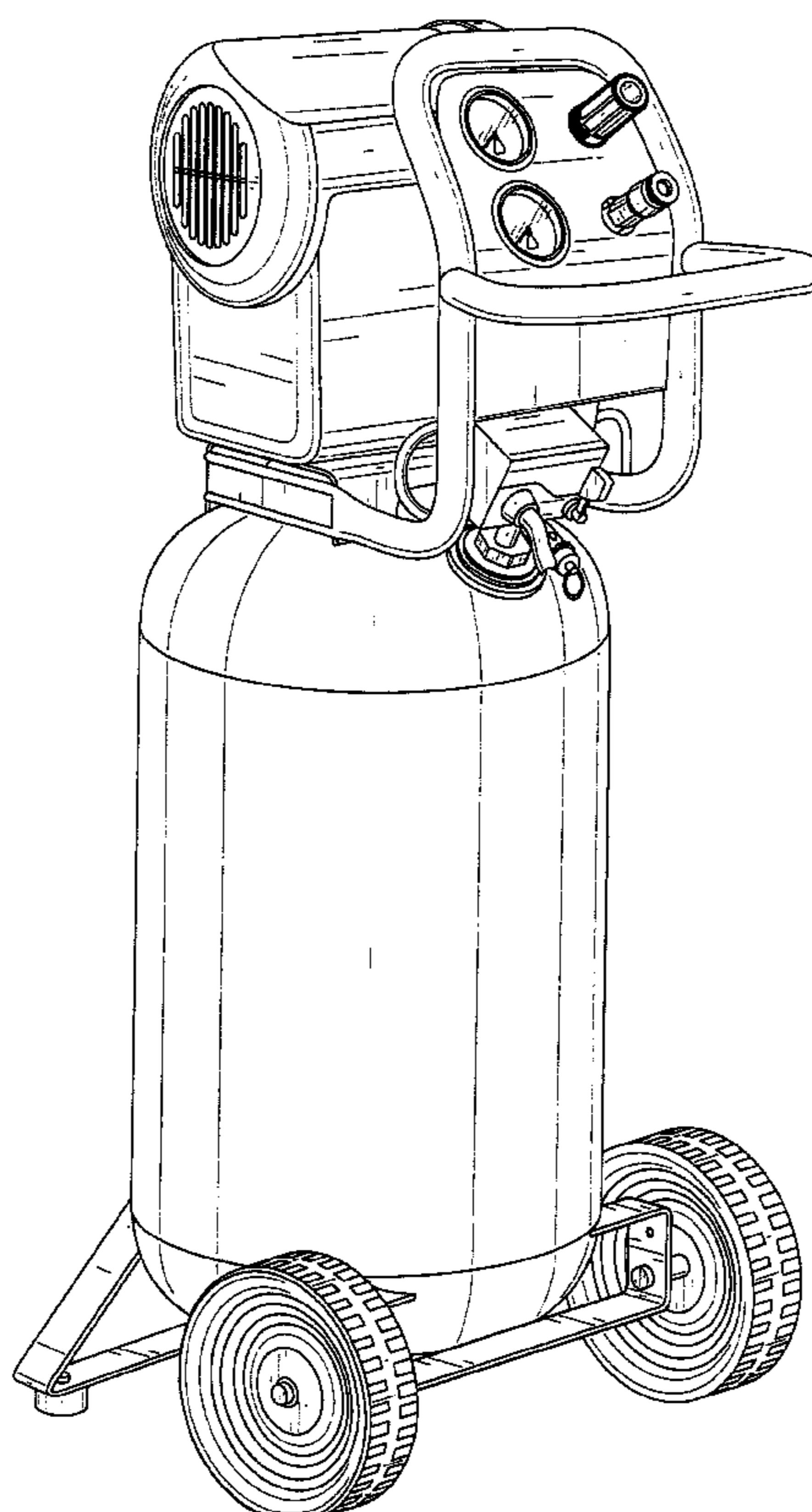
FIG. 4 is a left side view thereof.

FIG. 5 is a right side view thereof.

FIG. 6 is a top view thereof; and,

FIG. 7 is a bottom view thereof.

**1 Claim, 6 Drawing Sheets**



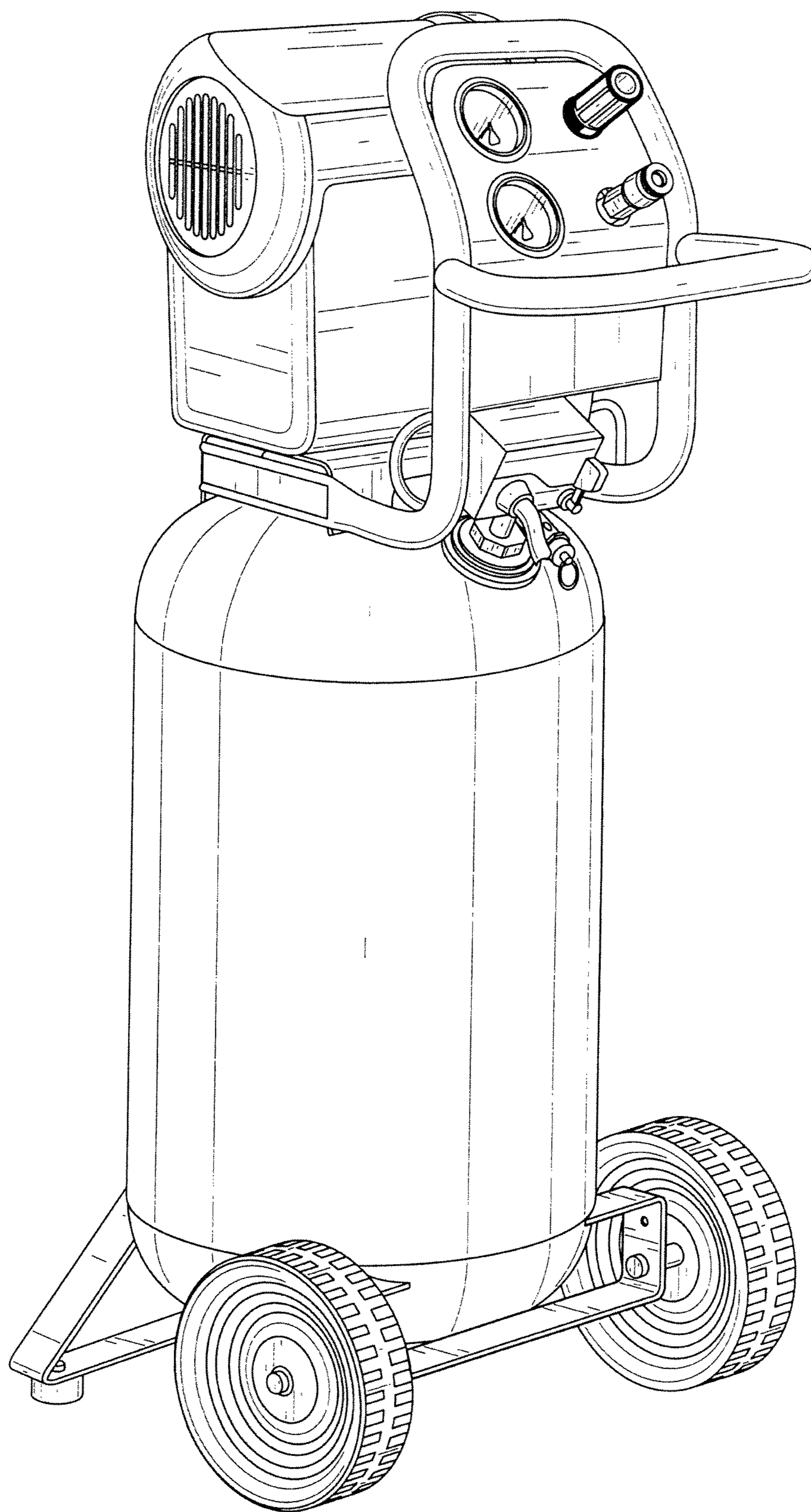


FIG. 1

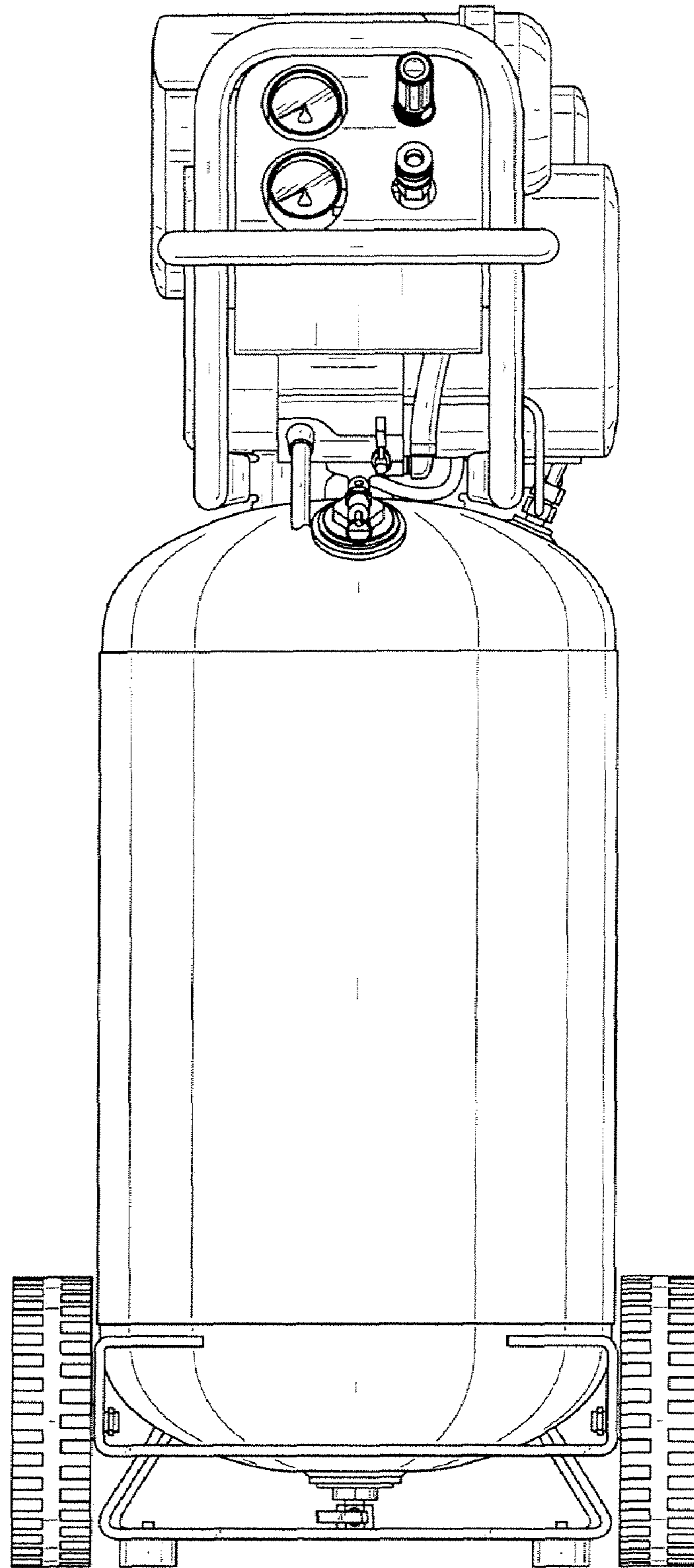


FIG. 2

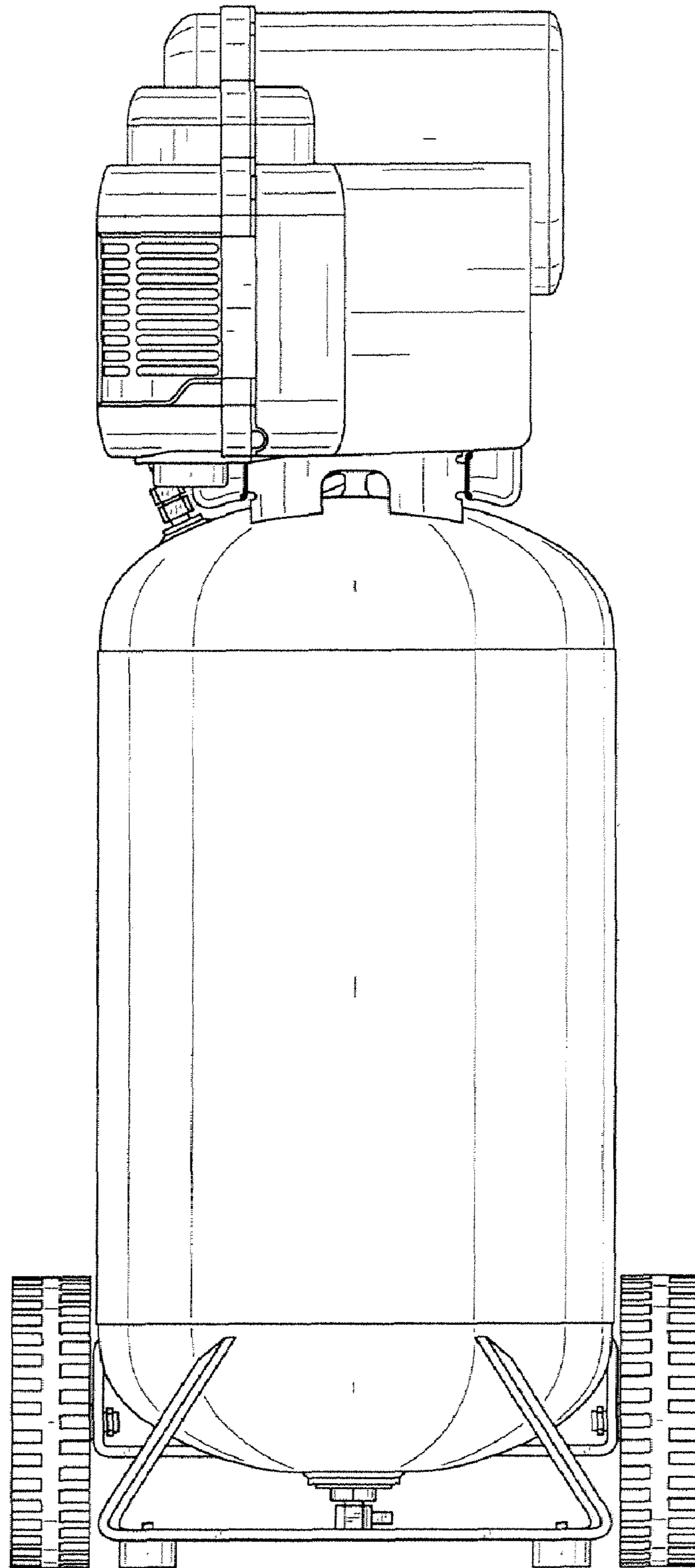


FIG. 3

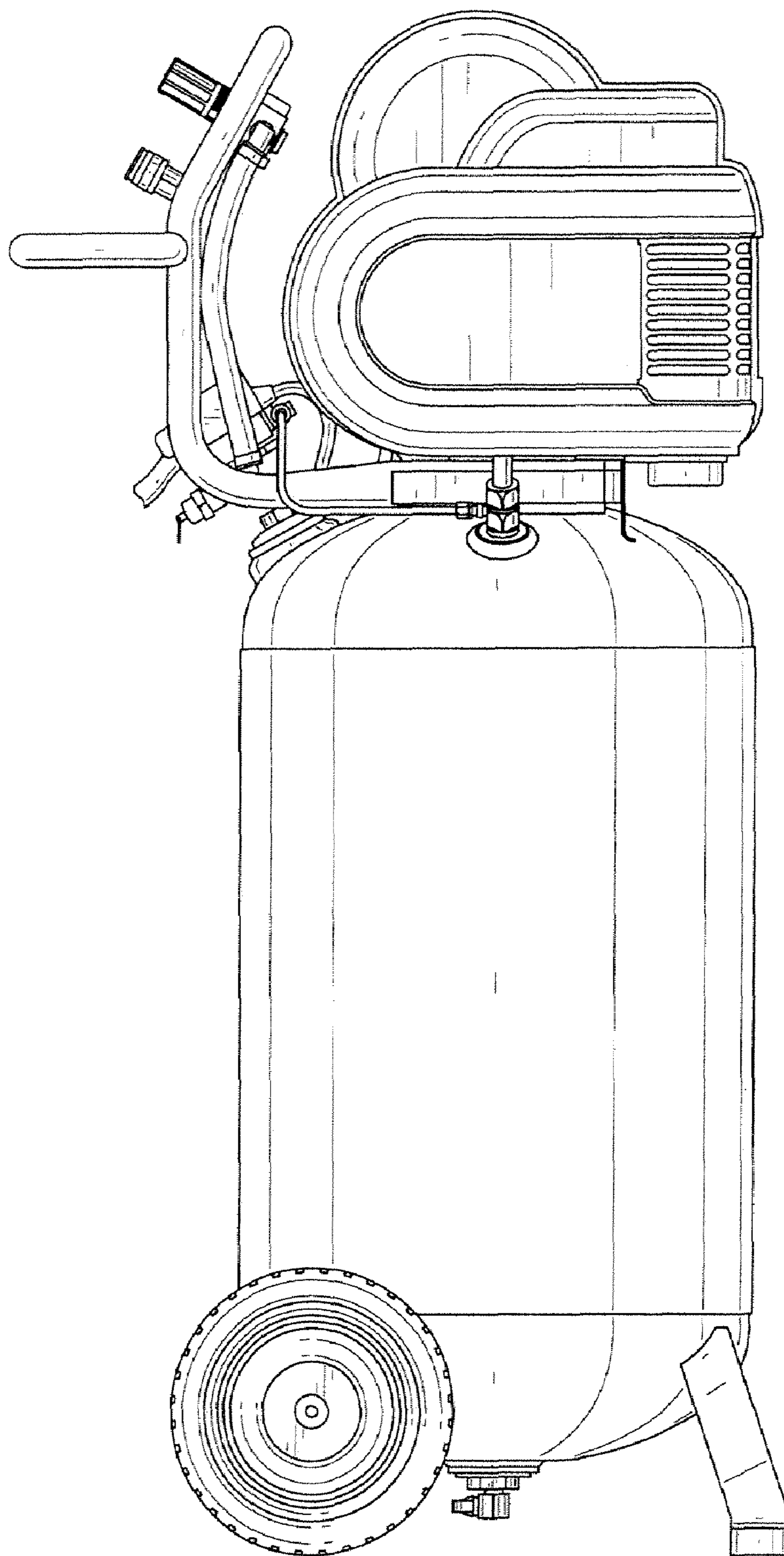


FIG. 4

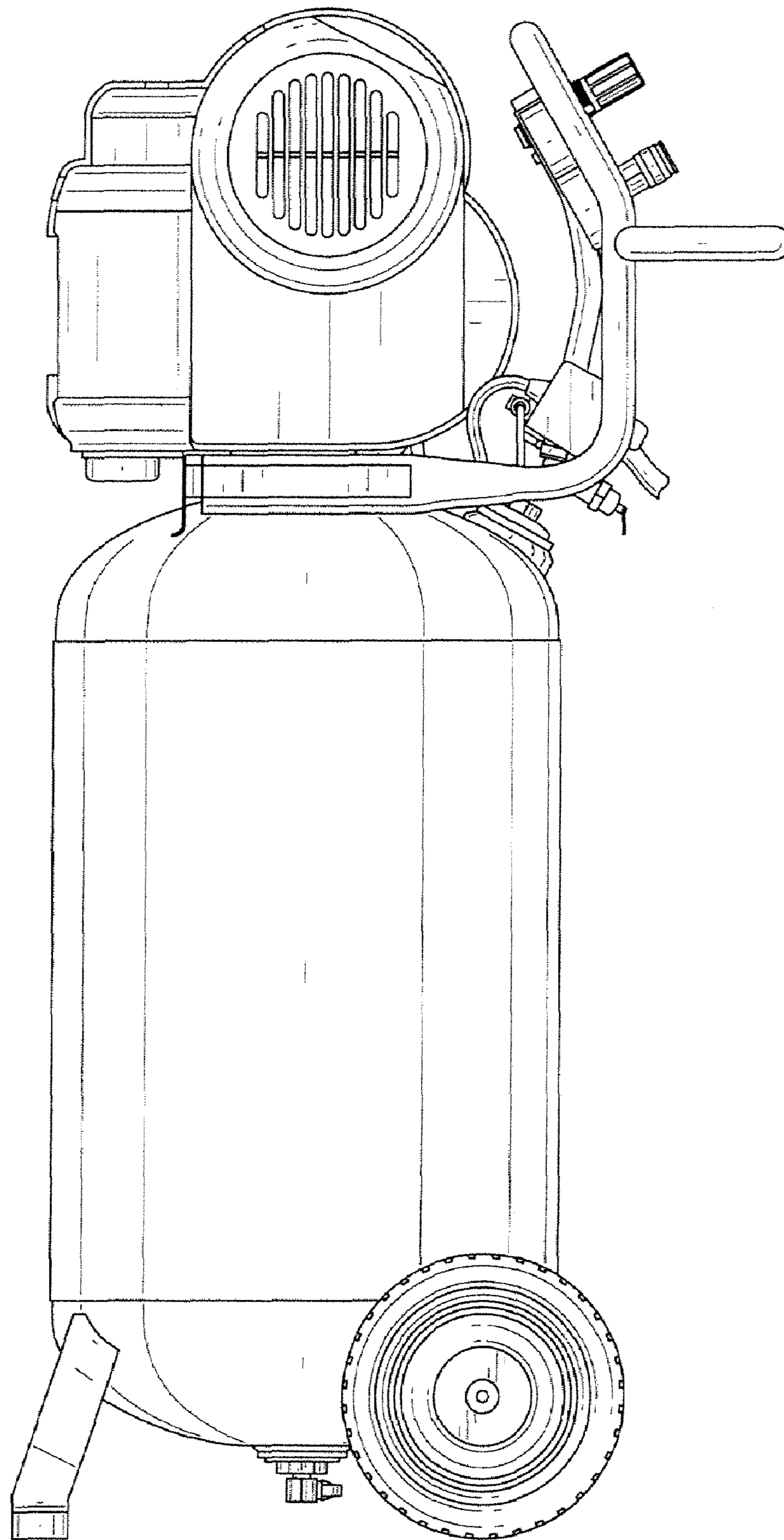


FIG. 5

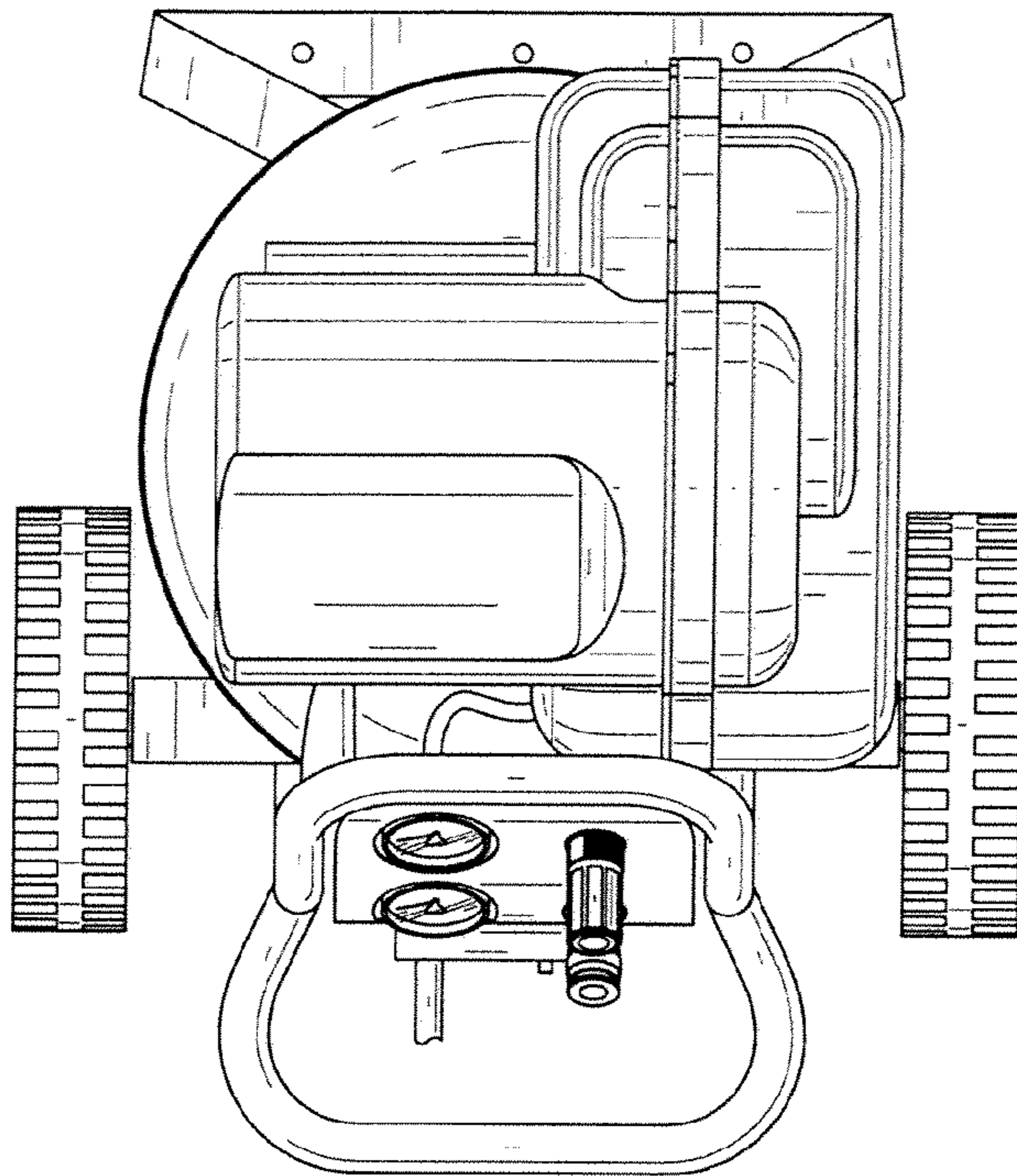


FIG. 6

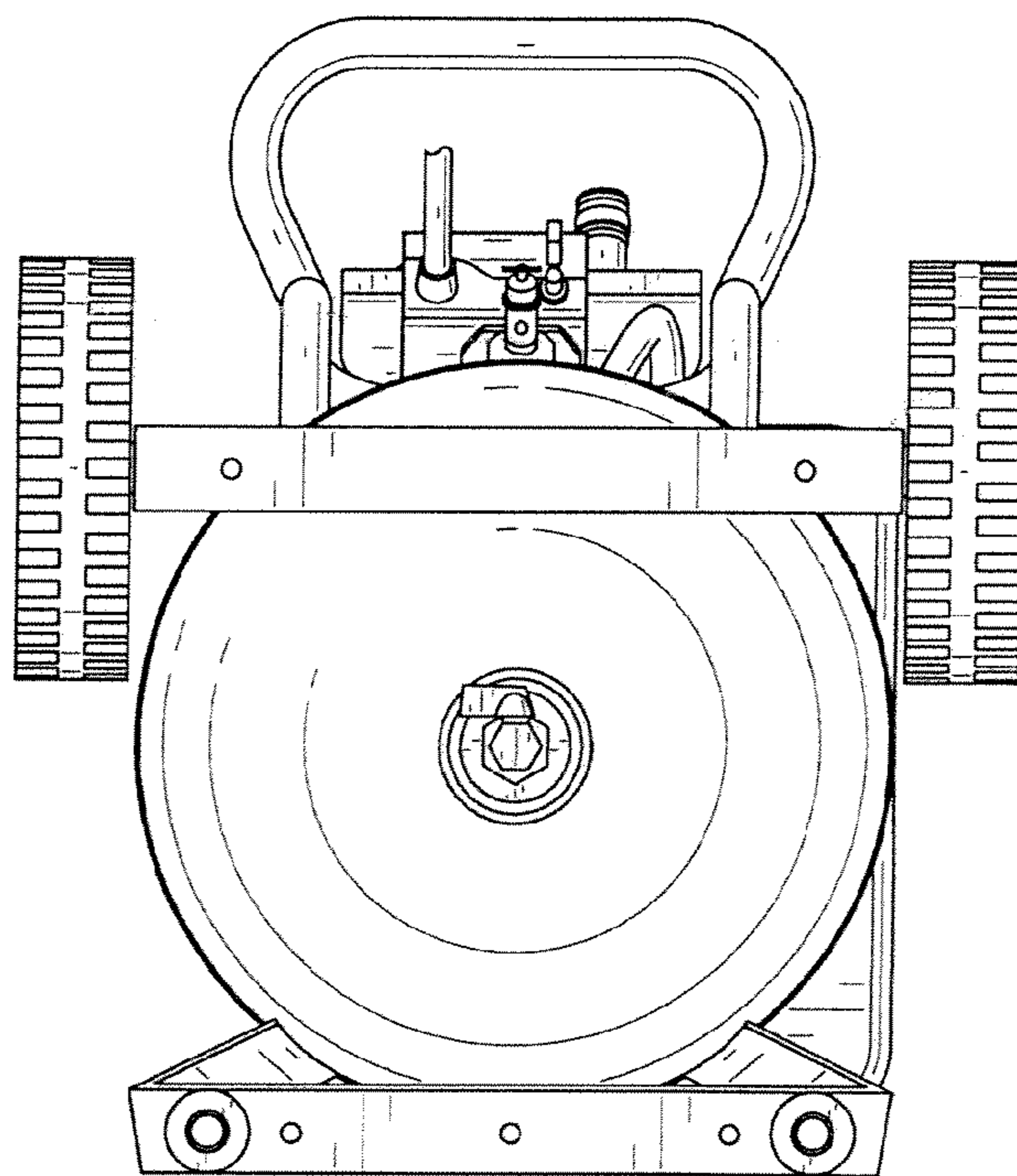


FIG. 7