



US00D589064S

(12) **United States Design Patent**
Chu

(10) **Patent No.:** **US D589,064 S**

(45) **Date of Patent:** **** Mar. 24, 2009**

(54) **CAP FOR AIR COMPRESSOR**

D574,858 S * 8/2008 Chu D15/9
D575,802 S * 8/2008 Chu D15/9

(76) Inventor: **Henry C. Chu**, 133 N. Lemon St.,
Orange, CA (US) 92866

* cited by examiner

(**) Term: **14 Years**

Primary Examiner—R. Seifert

(74) *Attorney, Agent, or Firm*—Charles E. Baxley

(21) Appl. No.: **29/308,248**

(57) **CLAIM**

(22) Filed: **Jun. 5, 2008**

The ornamental design for a cap for air compressor, as shown and described.

(51) **LOC (9) Cl.** **15-02**

(52) **U.S. Cl.** **D15/9**

(58) **Field of Classification Search** D15/7-9;
D23/231, 232, 225; 417/410.1, 359, 415-416,
417/234, 321, 265, 405

See application file for complete search history.

DESCRIPTION

FIG. 1 is a front perspective view of a cap for air compressor showing my new design;

FIG. 2 is a front elevational view thereof;

FIG. 3 is a rear elevational view thereof;

FIG. 4 is a top plan view thereof;

FIG. 5 is a bottom plan view thereof;

FIG. 6 is a left side elevational view thereof; and,

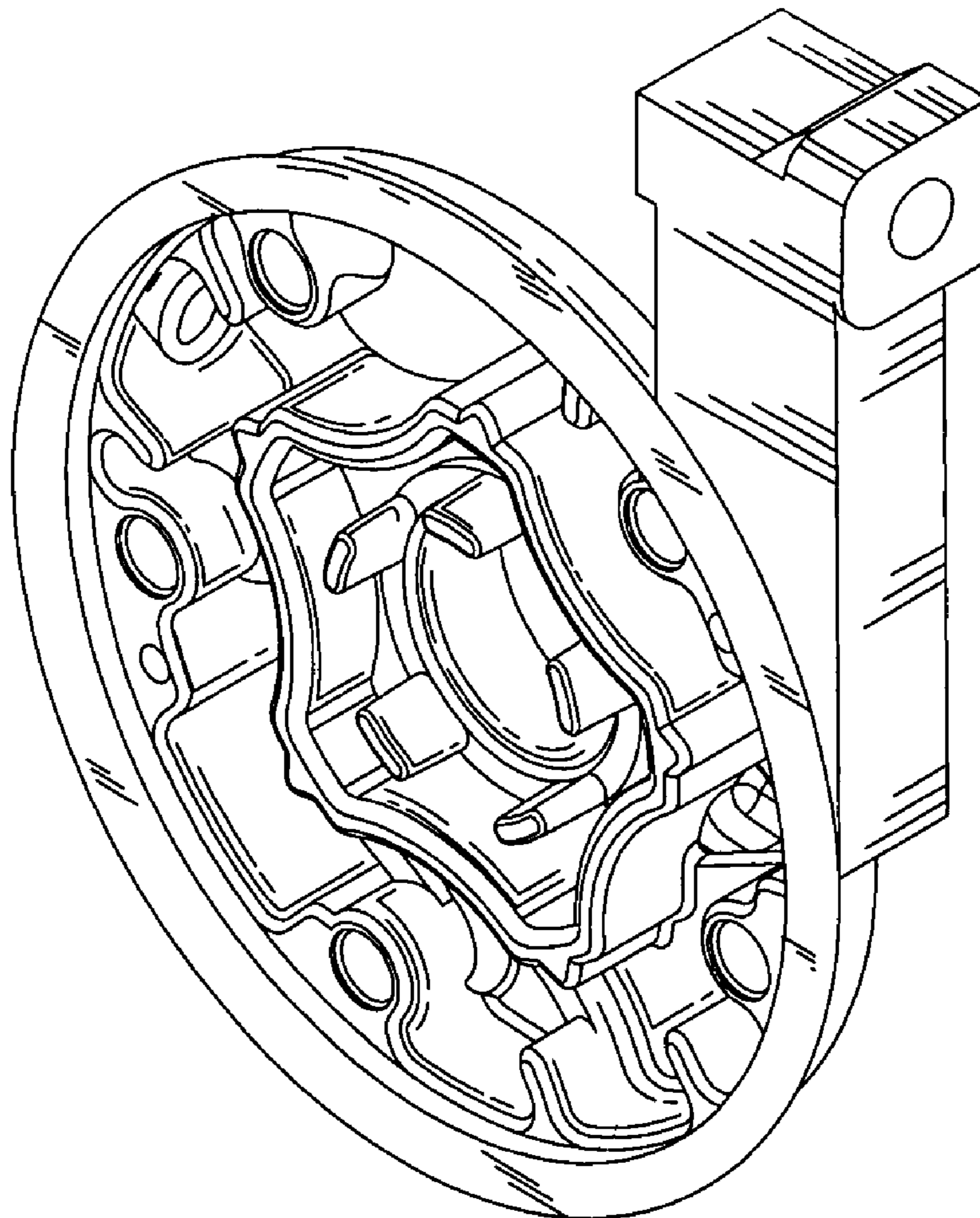
FIG. 7 is a right side elevational view thereof.

(56) **References Cited**

U.S. PATENT DOCUMENTS

D555,670 S * 11/2007 Hwang D15/9
D556,783 S * 12/2007 Chu D15/9
D556,785 S * 12/2007 Chu D15/9
D557,287 S * 12/2007 Chu D15/9
D574,855 S * 8/2008 Chu D15/9

1 Claim, 4 Drawing Sheets



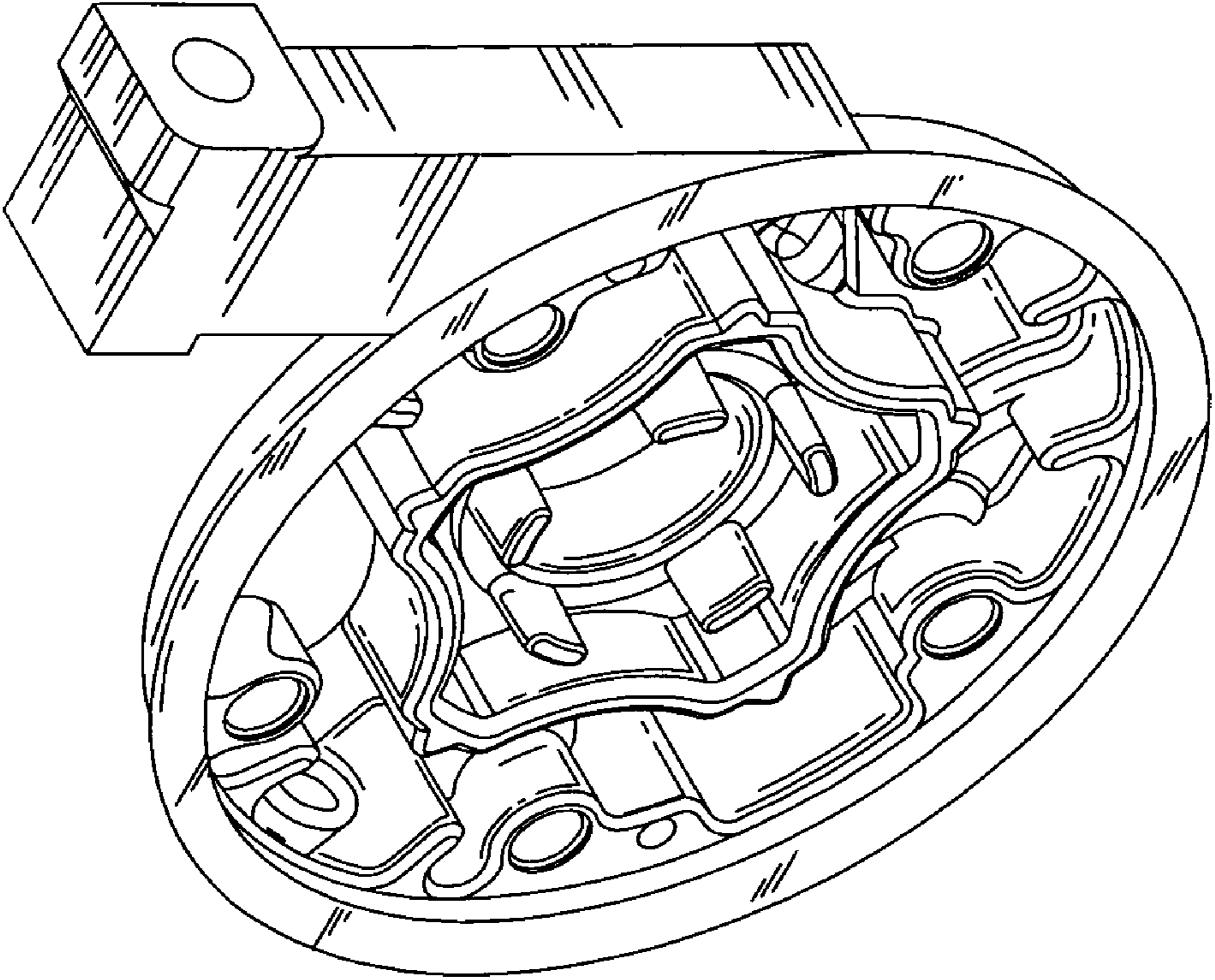


FIG. 1

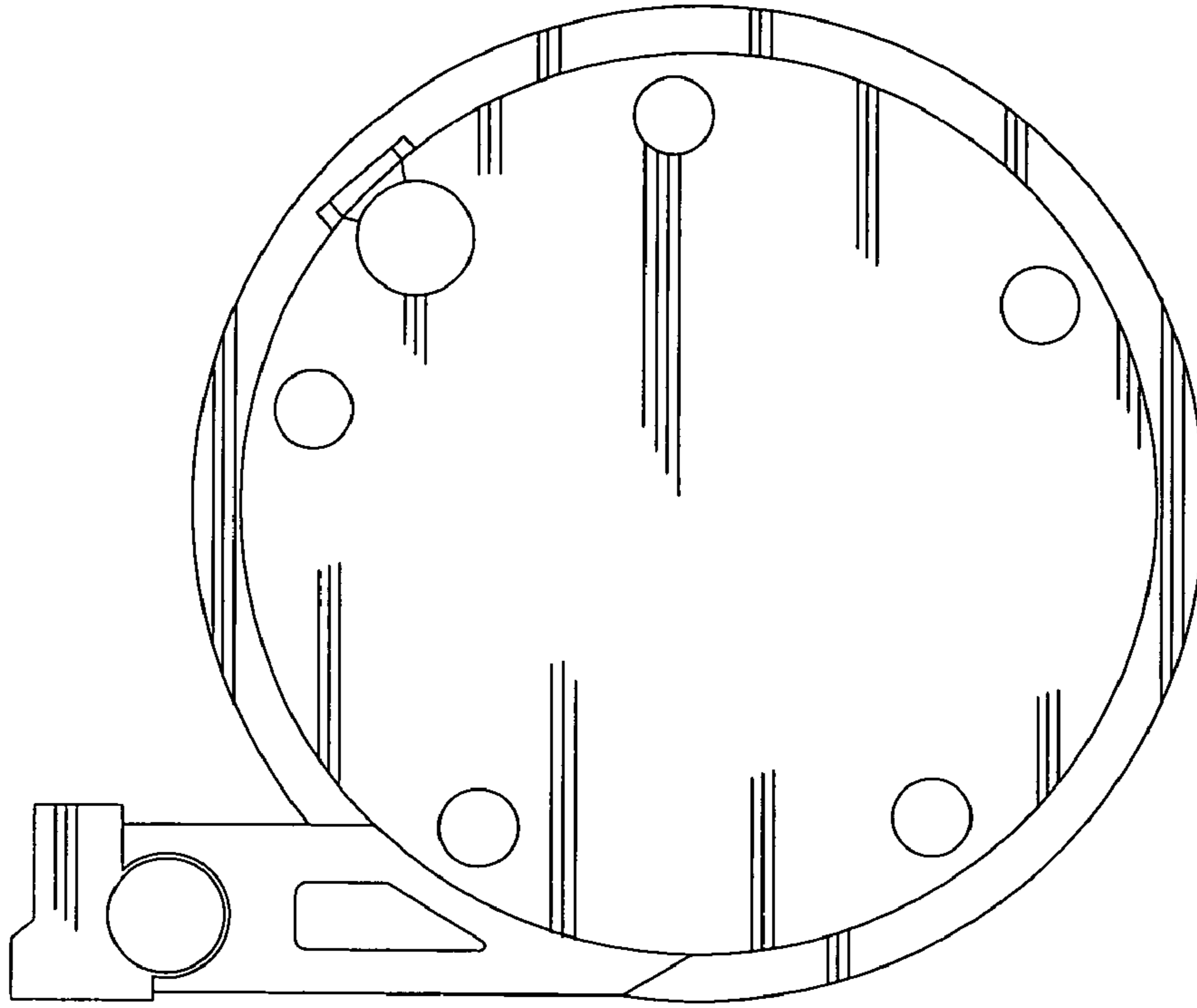


FIG. 3

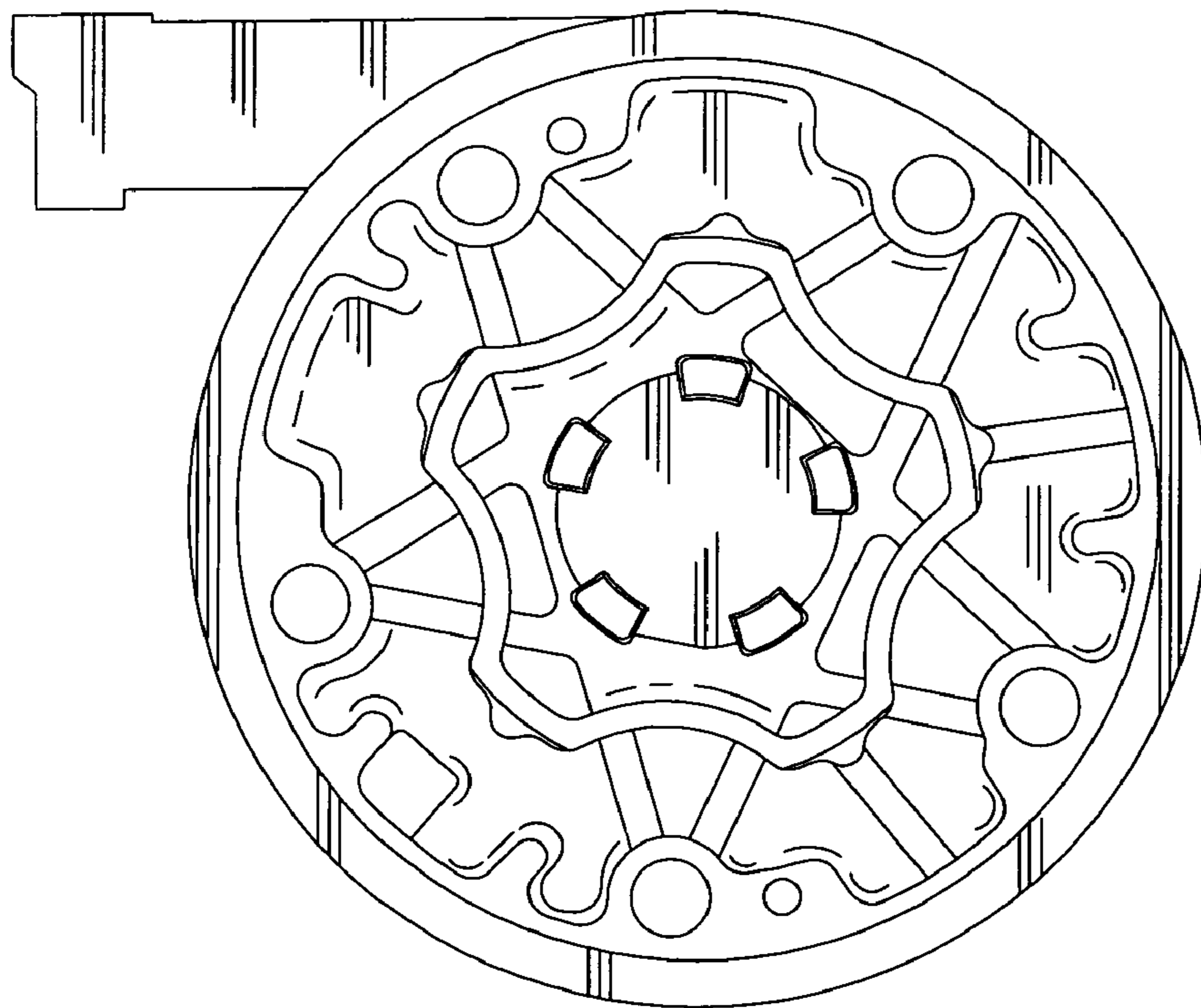


FIG. 2

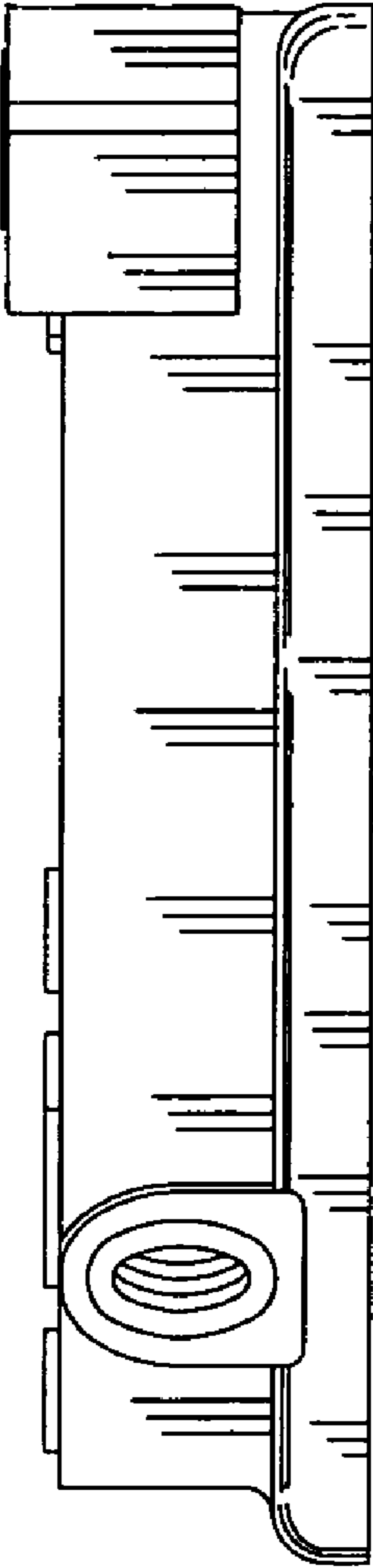


FIG. 4

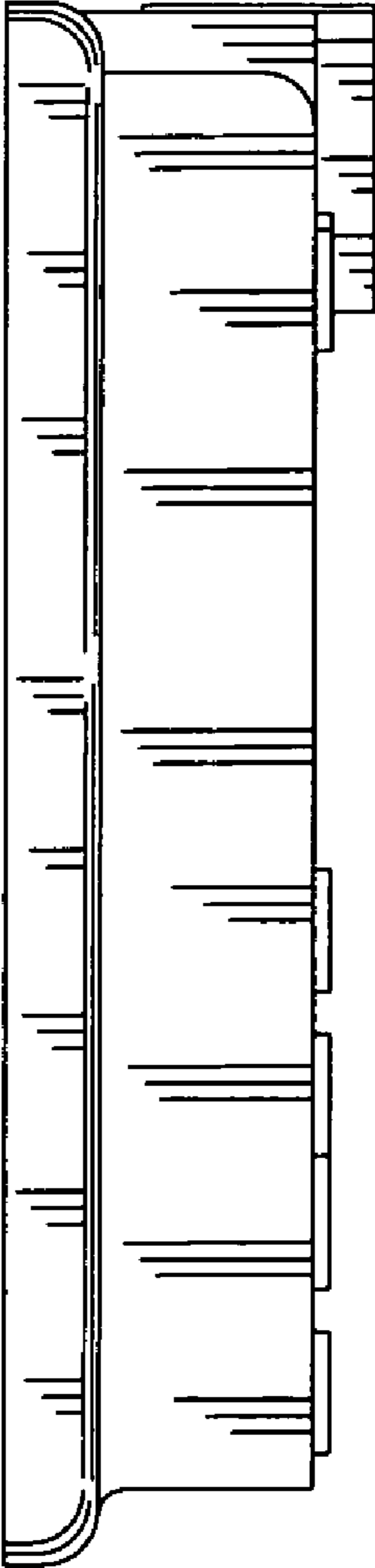


FIG. 5

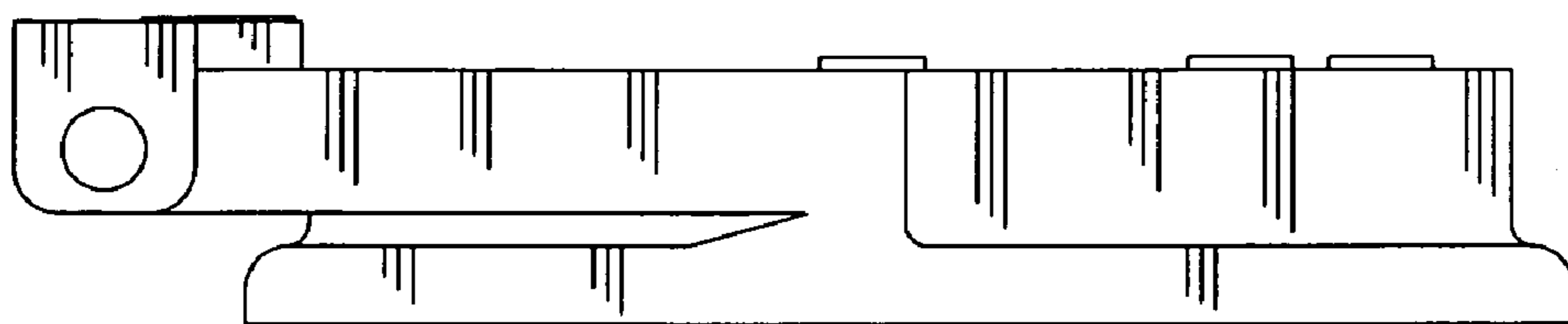


FIG. 7

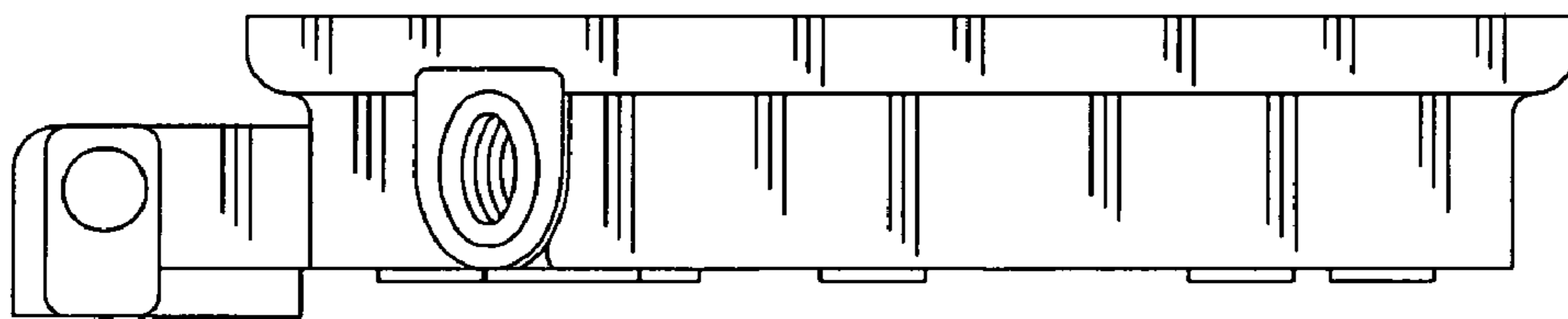


FIG. 6