



US00D589063S

(12) **United States Design Patent**  
**Chu**

(10) **Patent No.:** **US D589,063 S**  
(45) **Date of Patent:** **\*\* Mar. 24, 2009**

(54) **CYLINDER HOUSING FOR AIR COMPRESSOR**

D574,856 S \* 8/2008 Chu ..... D15/9  
D574,857 S \* 8/2008 Chu ..... D15/9

(76) Inventor: **Henry C. Chu**, 133N. Lemon St.,  
Orange, CA (US) 92866

\* cited by examiner

*Primary Examiner*—R. Seifert

(74) *Attorney, Agent, or Firm*—Charles E. Baxley

(\*\*) Term: **14 Years**

(21) Appl. No.: **29/308,245**

(57) **CLAIM**

(22) Filed: **Jun. 5, 2008**

The ornamental design for a cylinder housing for air compressor, as shown and described.

(51) **LOC (9) Cl.** ..... **15-02**

(52) **U.S. Cl.** ..... **D15/9**

(58) **Field of Classification Search** ..... D15/7-9;  
D23/231, 232, 225; 417/410.1, 359, 415-416,  
417/234, 321, 265, 405

See application file for complete search history.

**DESCRIPTION**

FIG. 1 is a perspective view of a cylinder housing for air compressor showing my new design;

FIG. 2 is a front elevational view thereof;

FIG. 3 is a rear elevational view thereof;

FIG. 4 is a top plan view thereof;

FIG. 5 is a bottom plan view thereof;

FIG. 6 is a left side elevational view thereof; and,

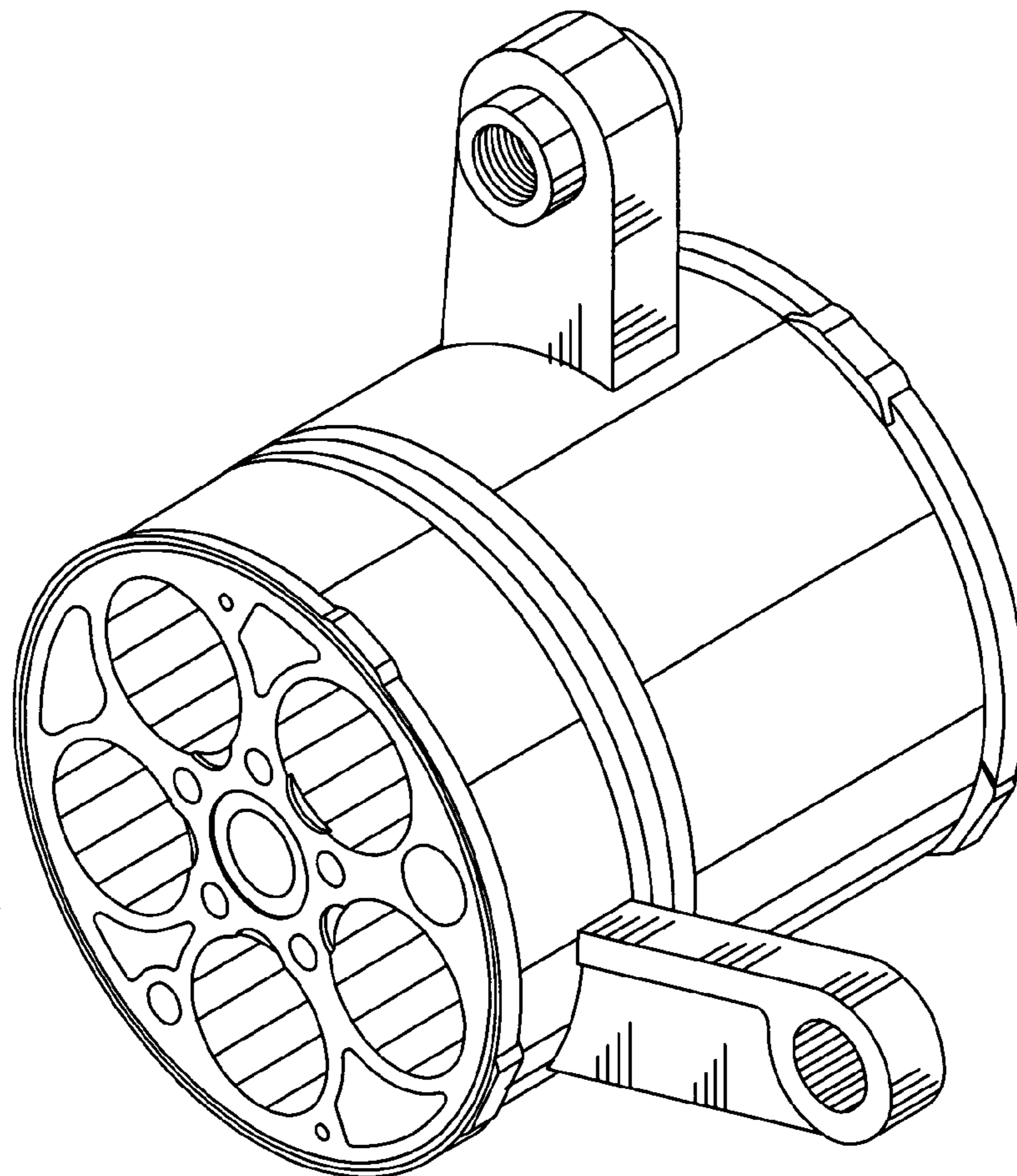
FIG. 7 is a right side elevational view thereof.

(56) **References Cited**

U.S. PATENT DOCUMENTS

D532,020 S \* 11/2006 Chu ..... D15/9  
D540,351 S \* 4/2007 Chu ..... D15/9  
D541,819 S \* 5/2007 Chu ..... D15/9  
D541,821 S \* 5/2007 Chu ..... D15/9  
D549,242 S \* 8/2007 Chu ..... D15/9

**1 Claim, 4 Drawing Sheets**



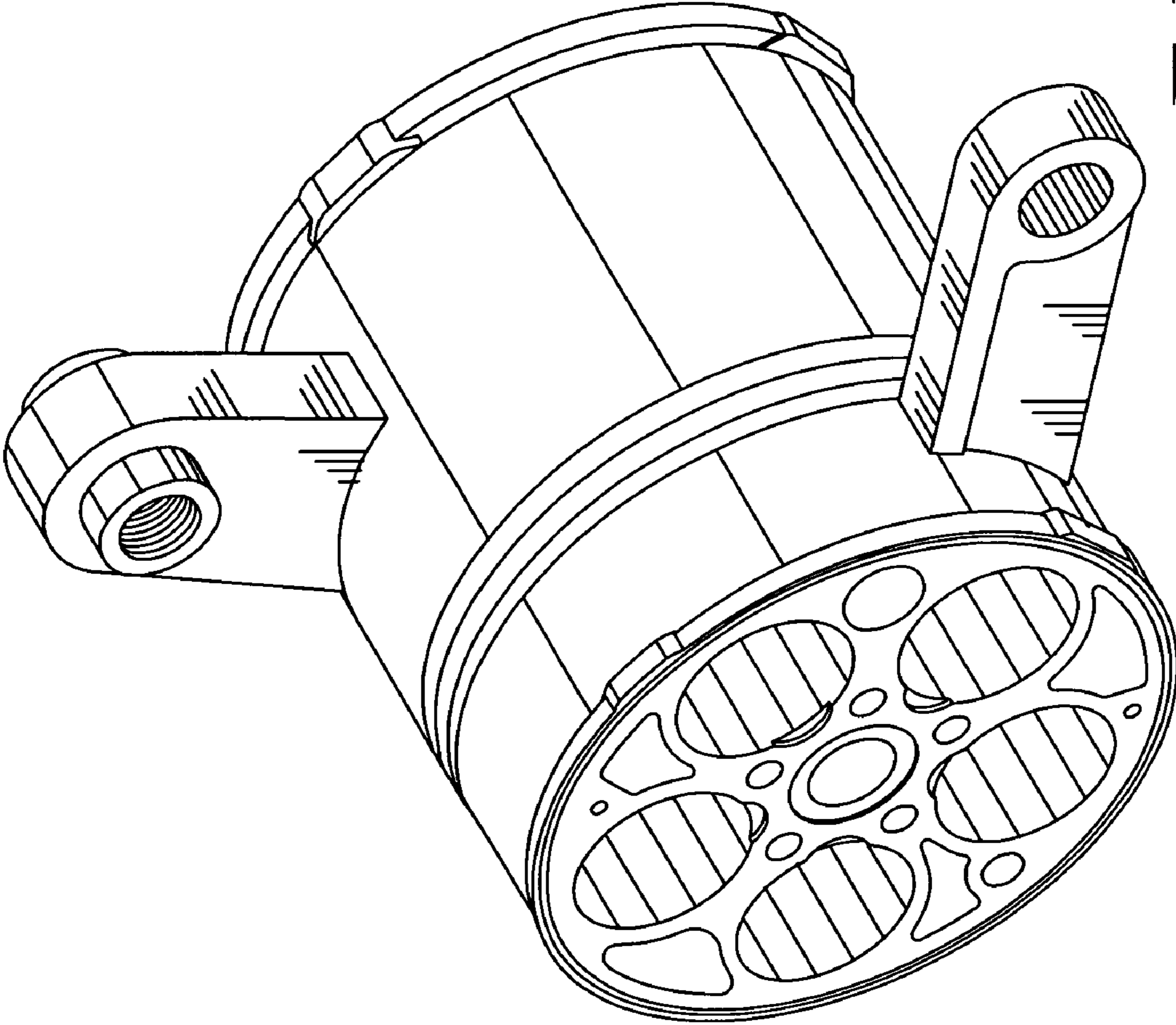


FIG. 1

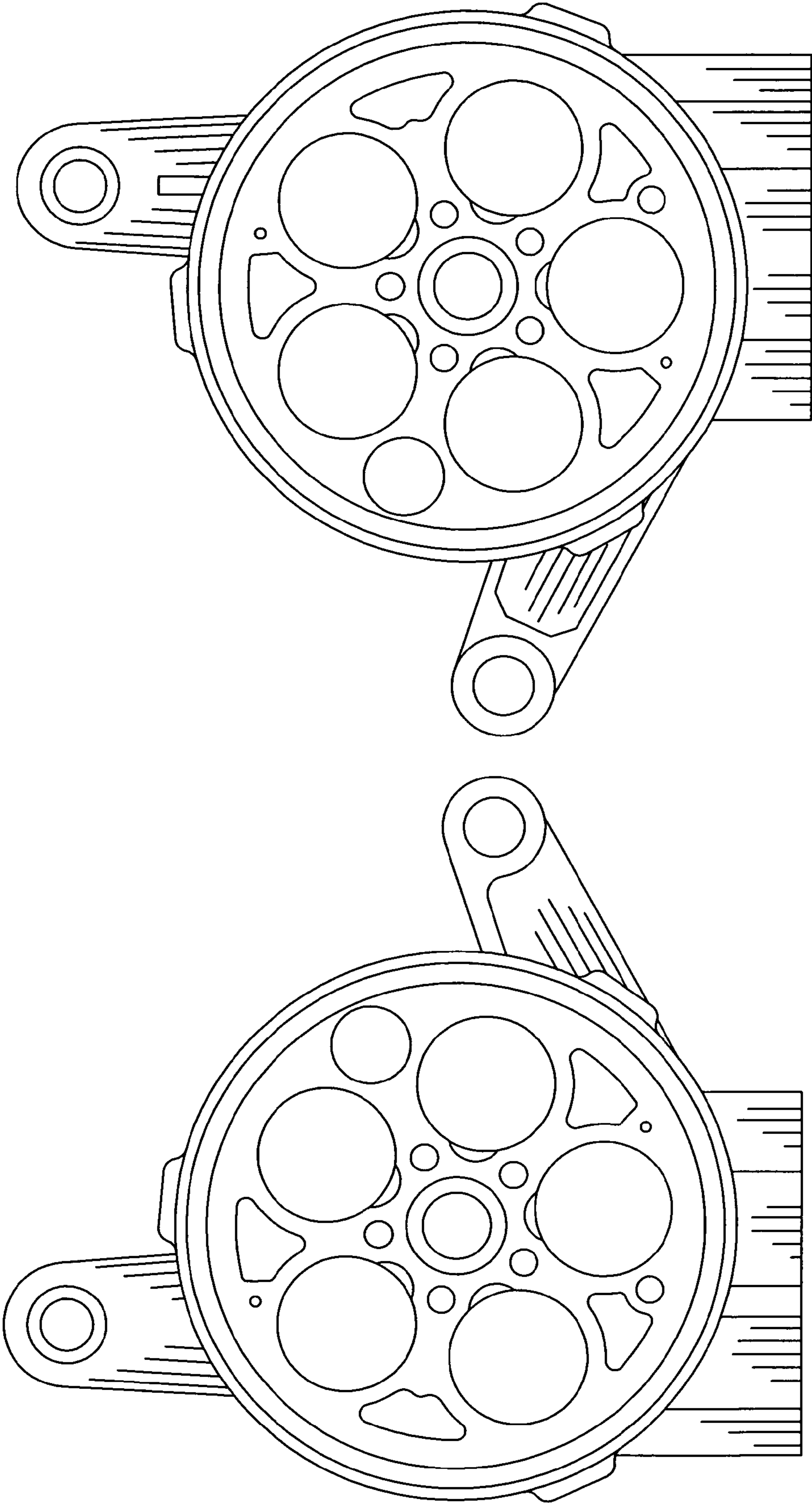


FIG. 3

FIG. 2

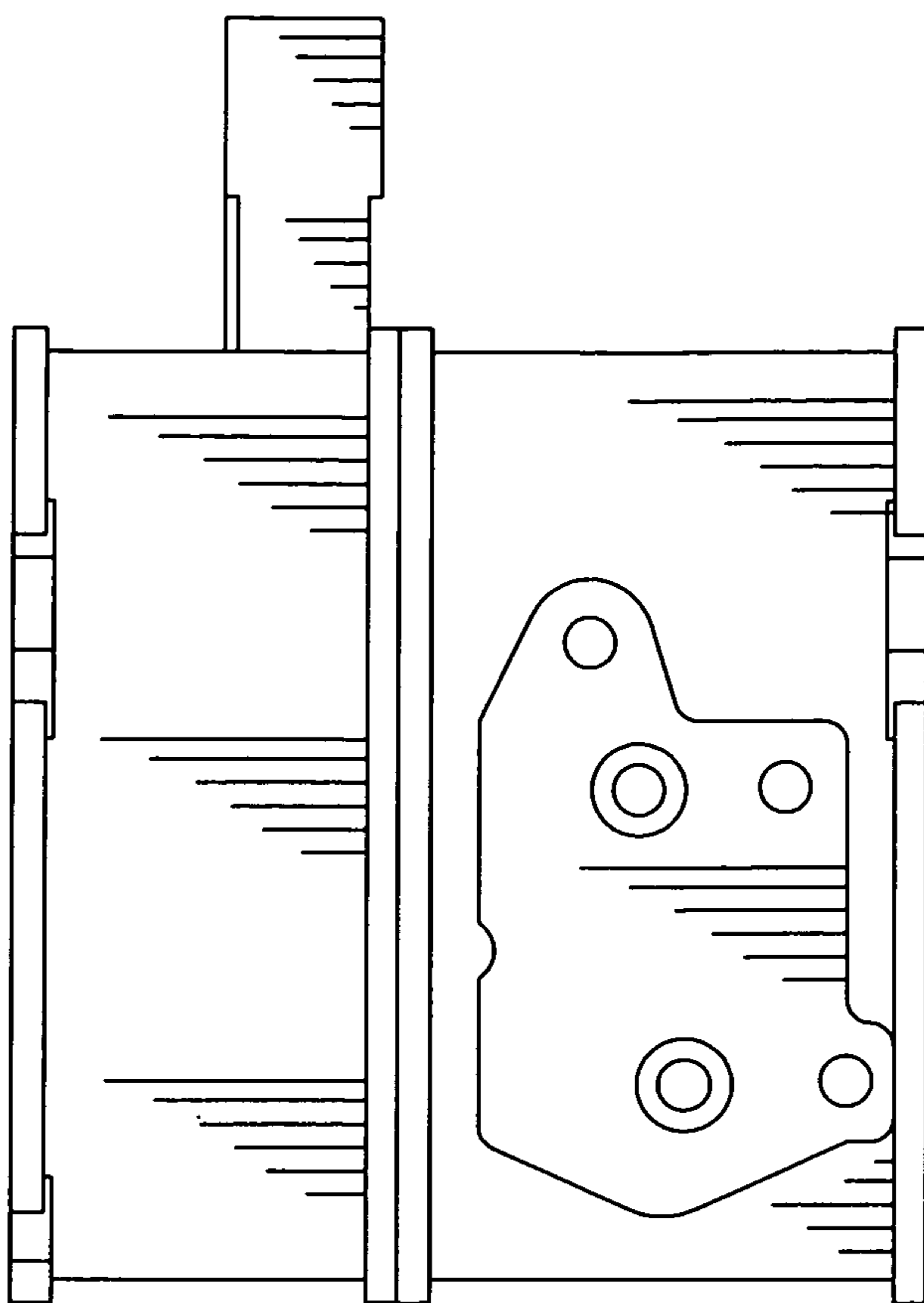


FIG. 5

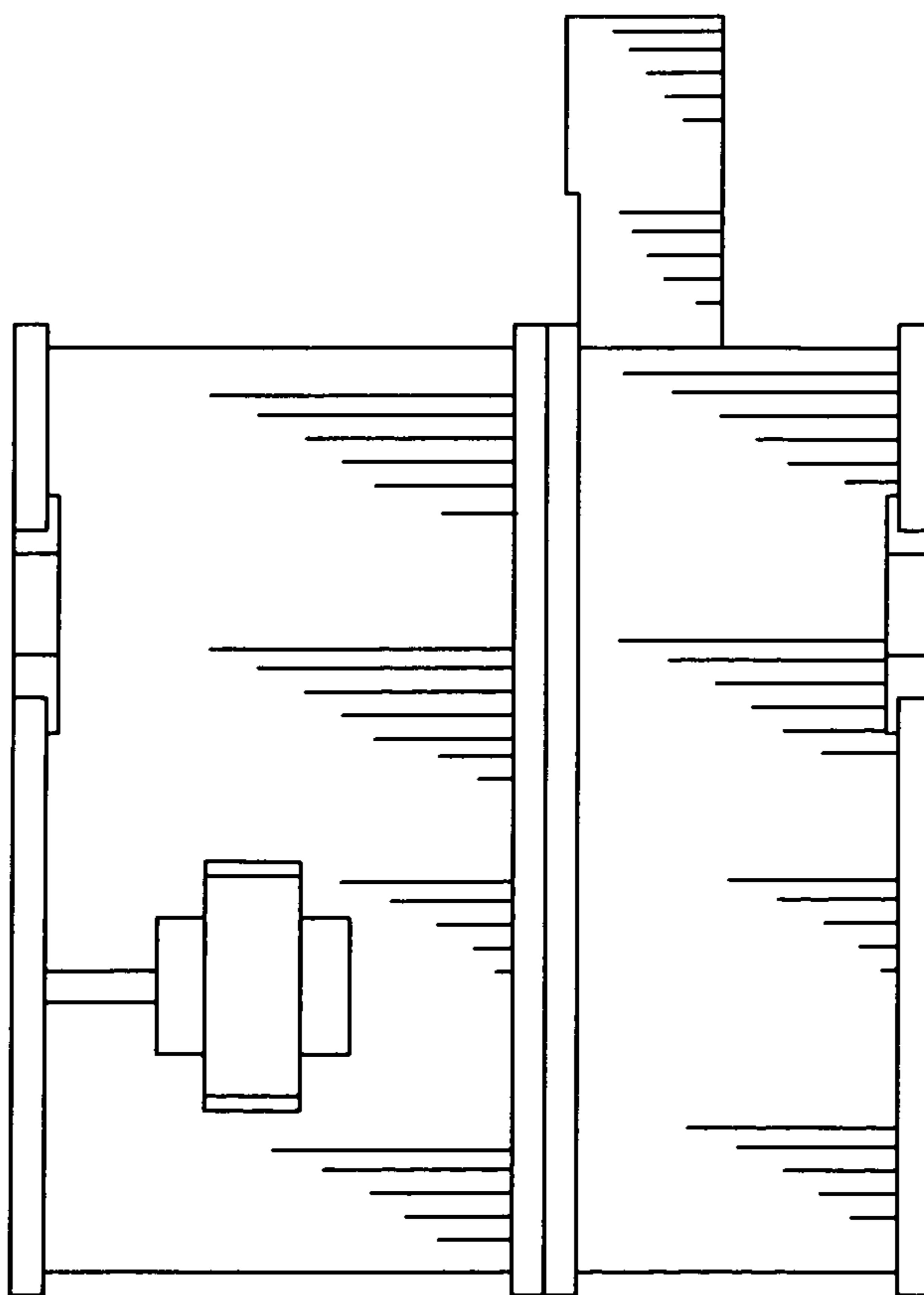


FIG. 4

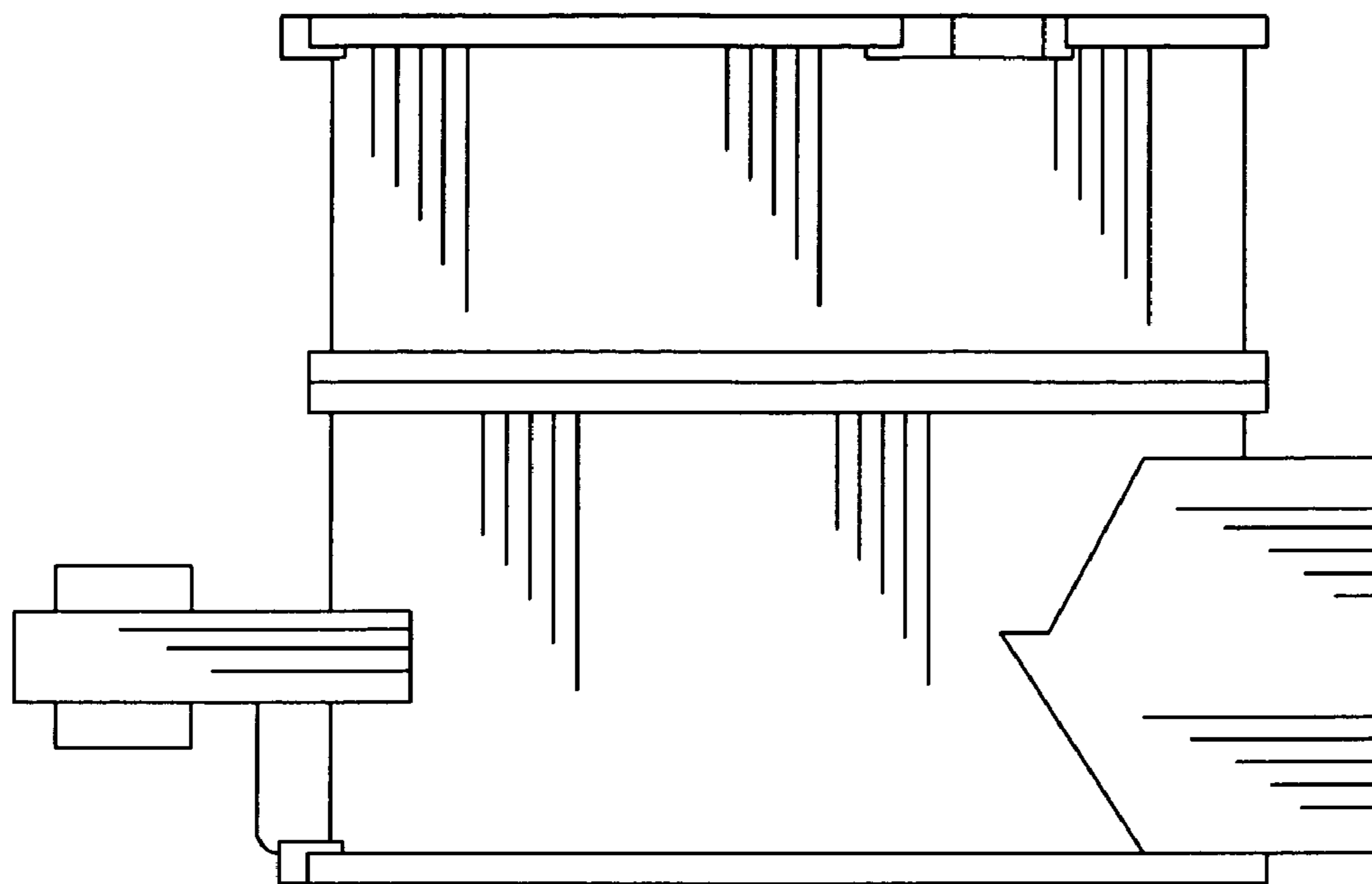


FIG. 6

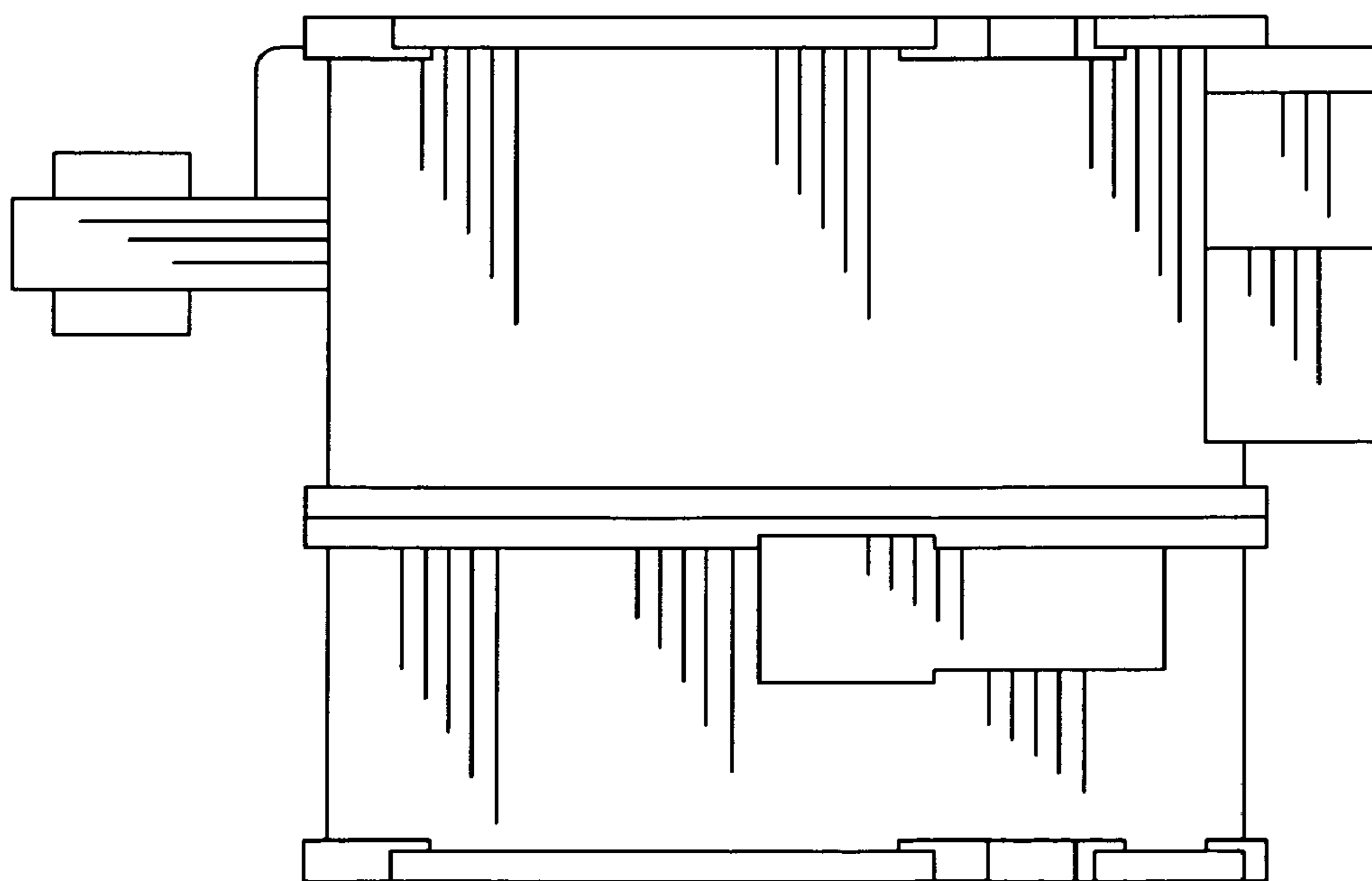


FIG. 7