



US00D589062S

(12) **United States Design Patent**
Wang

(10) **Patent No.:** **US D589,062 S**

(45) **Date of Patent:** **** *Mar. 24, 2009**

(54) **AIR PUMP**

(75) Inventor: **Chiao-Ming Wang**, Taichung Hsien
(TW)

(73) Assignee: **Meiko Pet Corporation**, Taichung Hsien
(TW)

(*) Notice: This patent is subject to a terminal disclaimer.

(**) Term: **14 Years**

(21) Appl. No.: **29/257,217**

(22) Filed: **Mar. 31, 2006**

(51) **LOC (9) Cl.** **15-01**

(52) **U.S. Cl.** **D15/8**

(58) **Field of Classification Search** D15/7-9;
D23/232, 231; 417/359, 415-416, 410.1,
417/321, 265, 405

See application file for complete search history.

(56) **References Cited**

U.S. PATENT DOCUMENTS

2,786,026 A * 3/1957 Stark 210/169

D211,913 S * 8/1968 Levin D15/8
4,206,054 A * 6/1980 Moore et al. 210/169
D371,424 S * 7/1996 Tigert et al. D23/210
D499,428 S * 12/2004 Warden D15/7

* cited by examiner

Primary Examiner—Ralf Seifert

(74) *Attorney, Agent, or Firm*—Troxell Law Office, PLLC

(57) **CLAIM**

The ornamental design for a air pump, as shown and described.

DESCRIPTION

FIG. 1 is a perspective view of air pump showing my new design;

FIG. 2 is a front elevation view thereof;

FIG. 3 is a rear elevation view thereof;

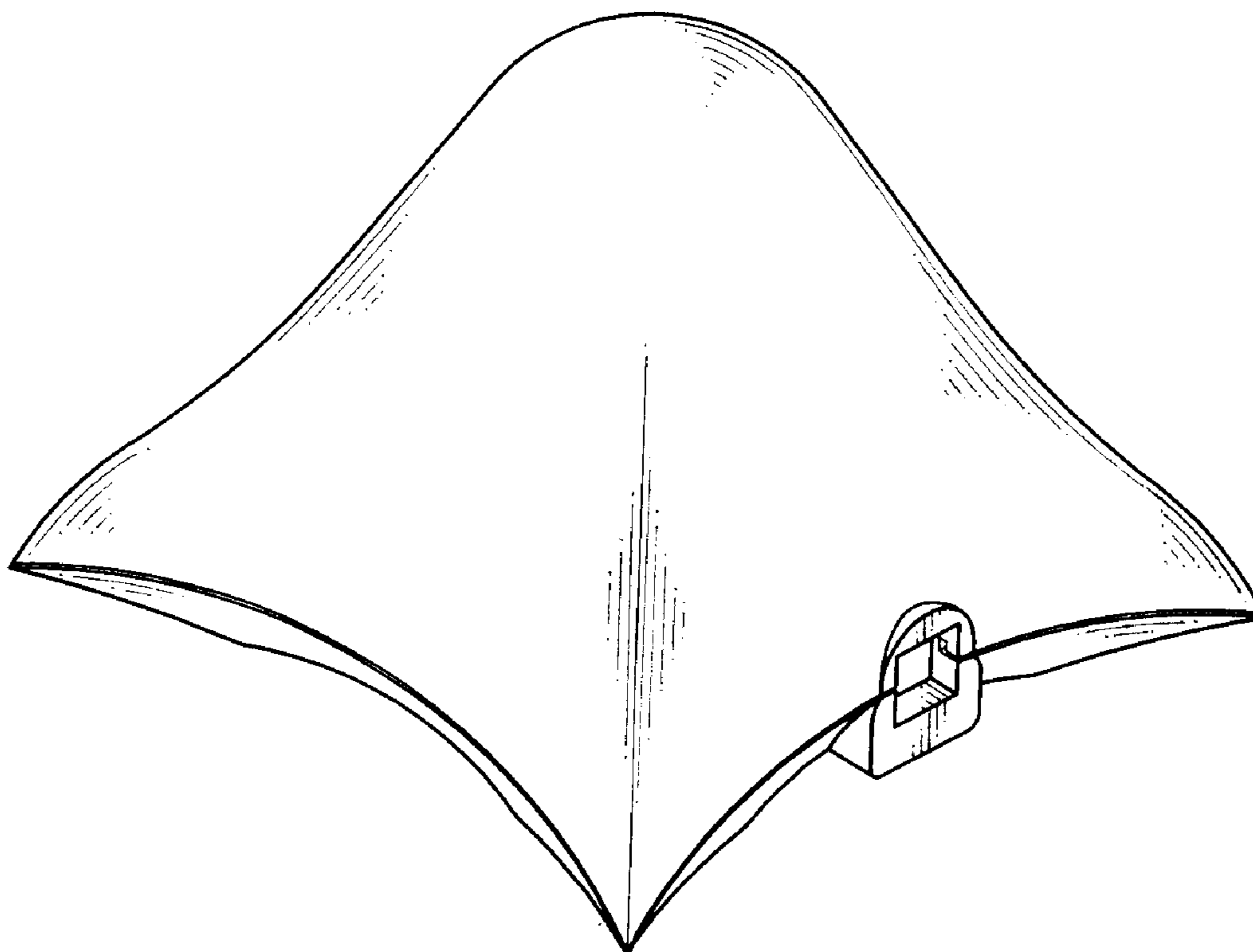
FIG. 4 is a left side elevation view thereof;

FIG. 5 is a right side elevation view thereof;

FIG. 6 is a top plan view thereof; and,

FIG. 7 is a bottom plan view thereof.

1 Claim, 4 Drawing Sheets



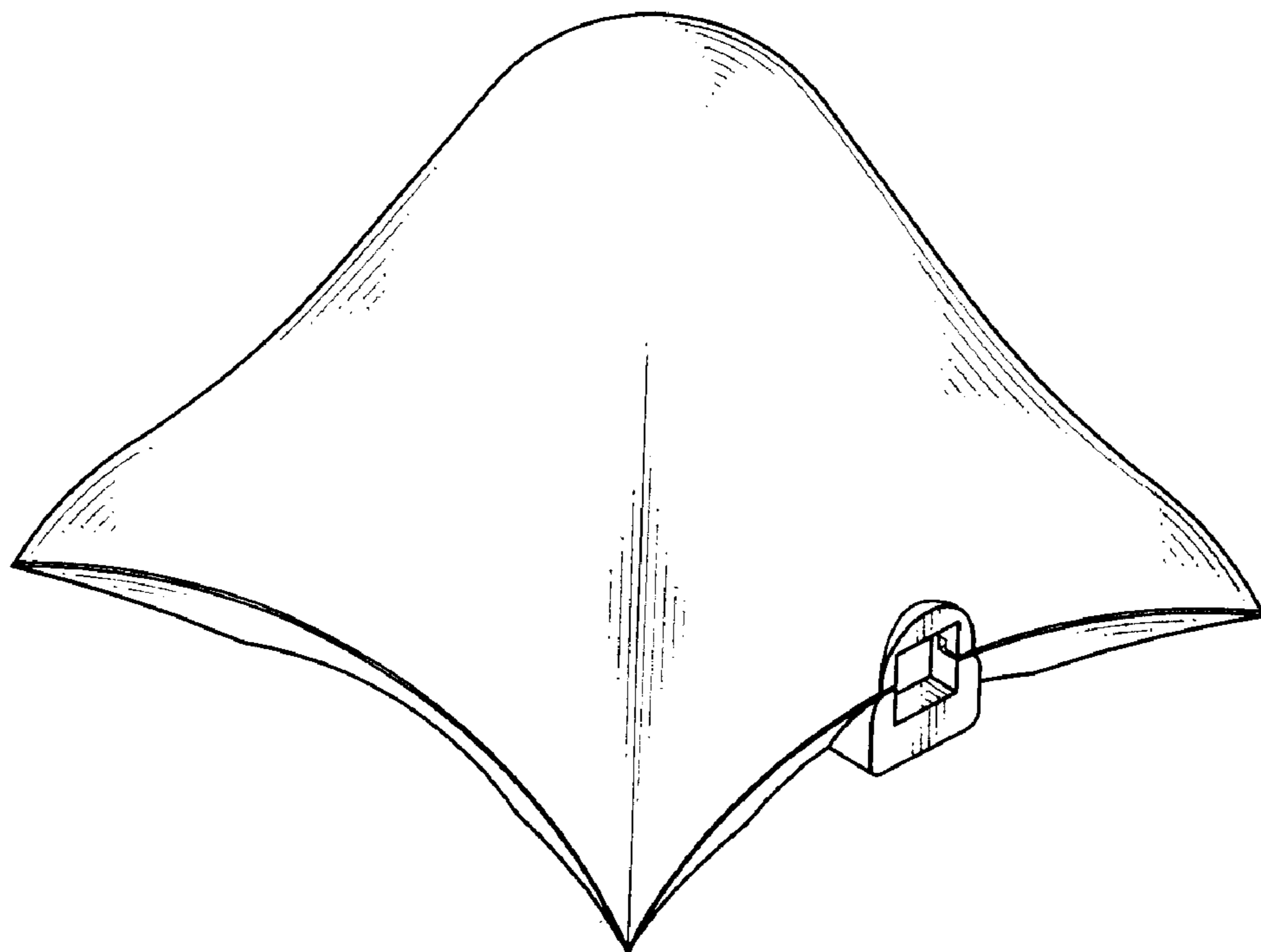


FIG. 1

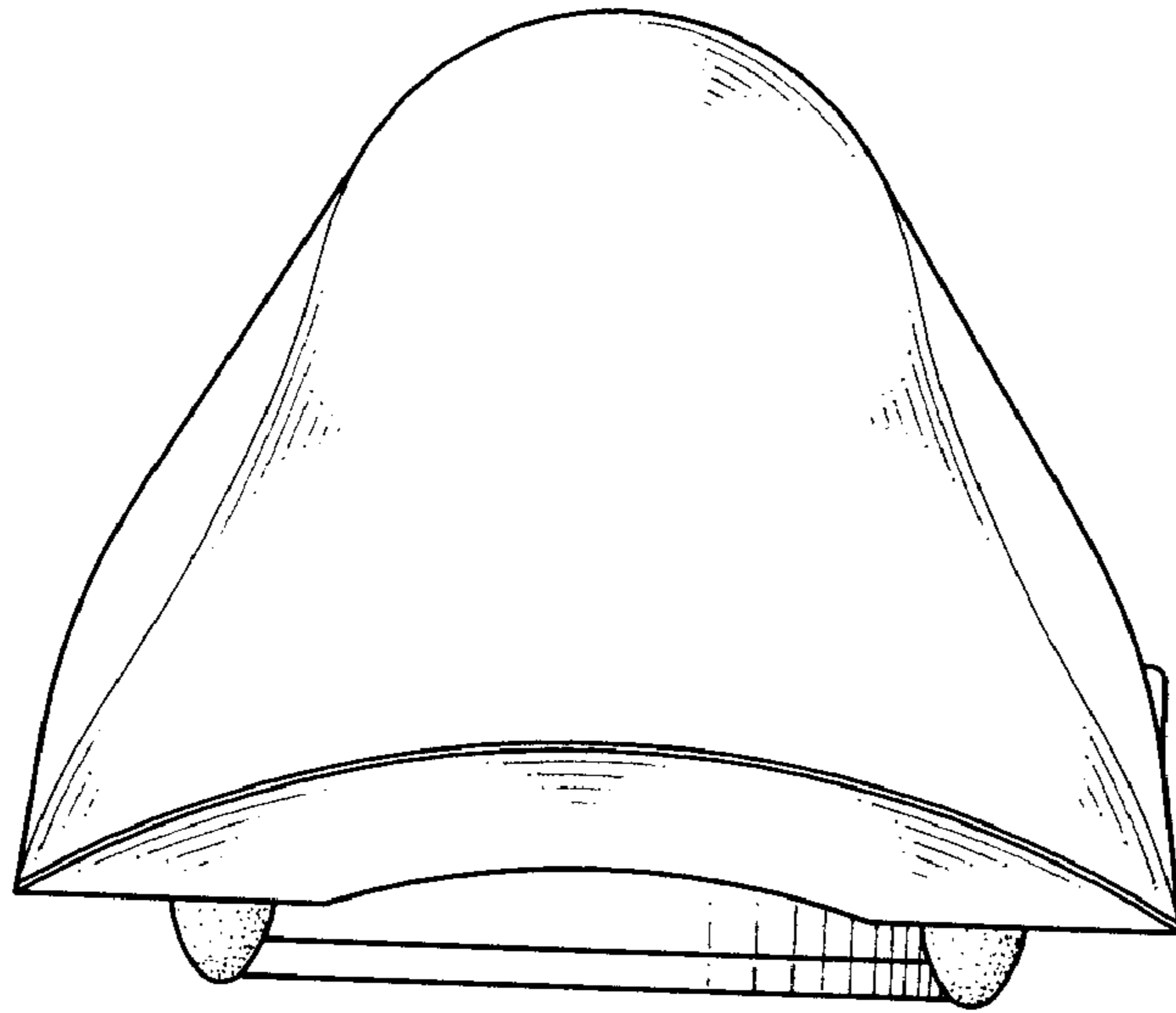


FIG. 2

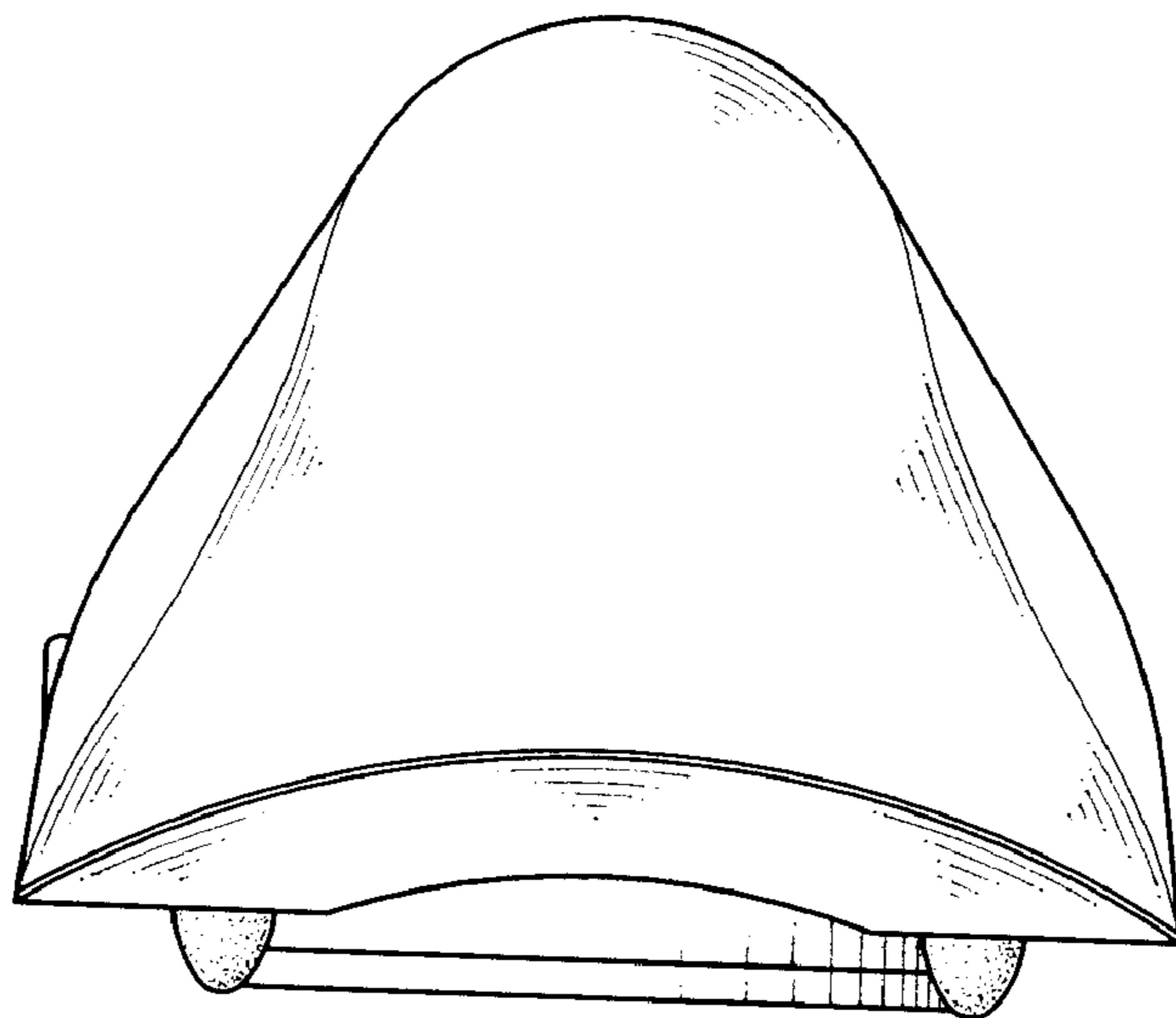


FIG. 3

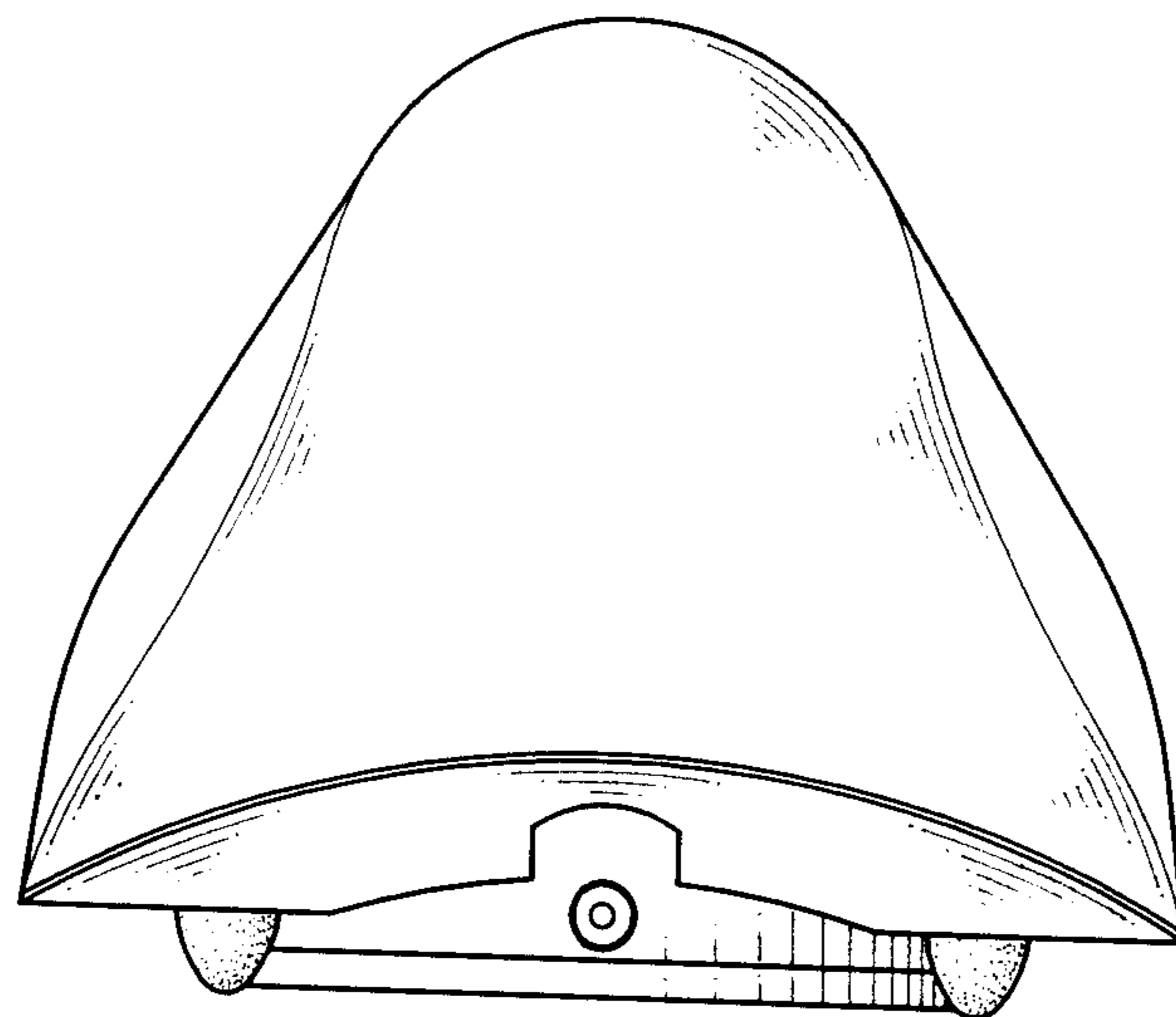


FIG. 4

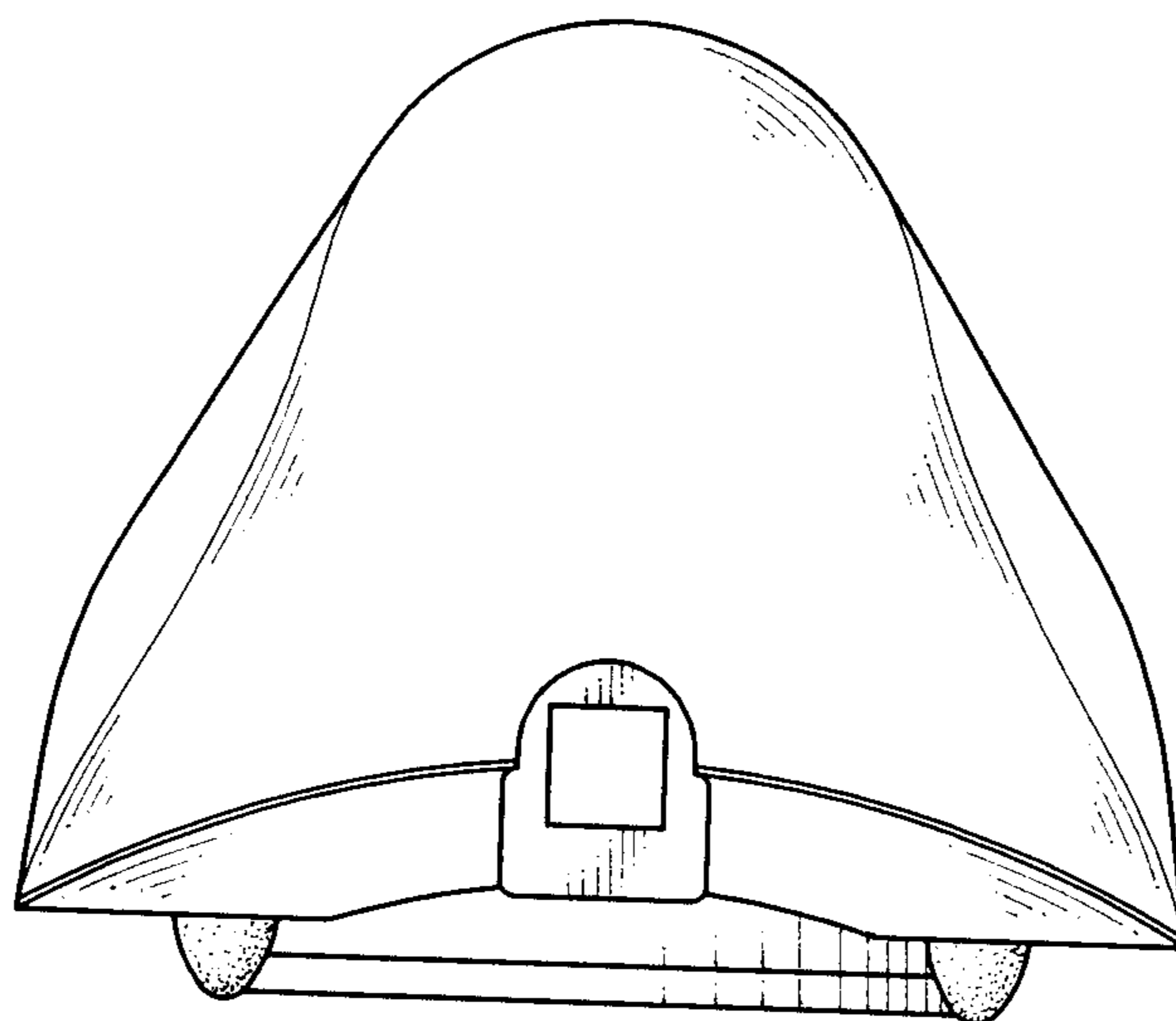


FIG. 5

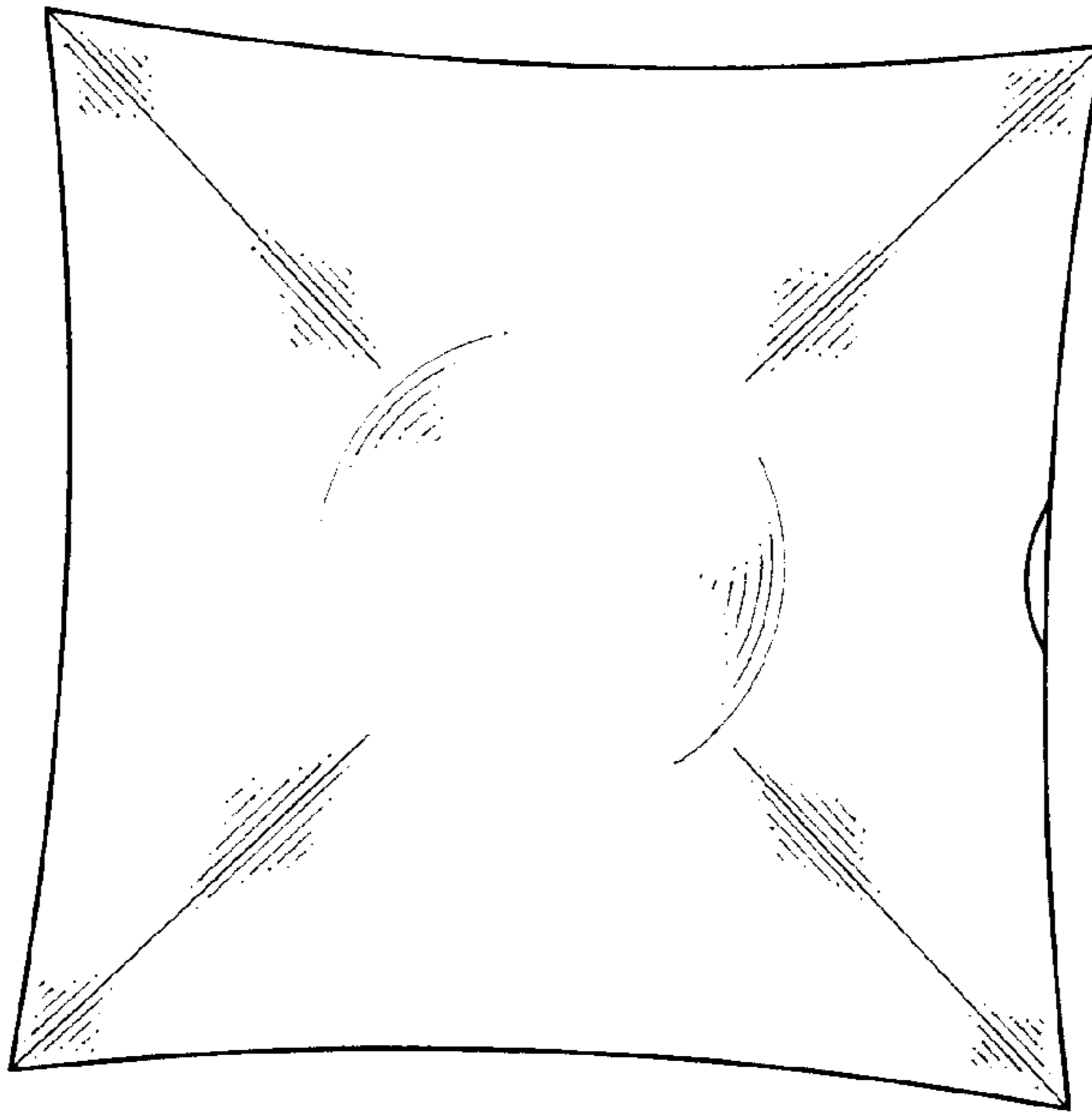


FIG. 6

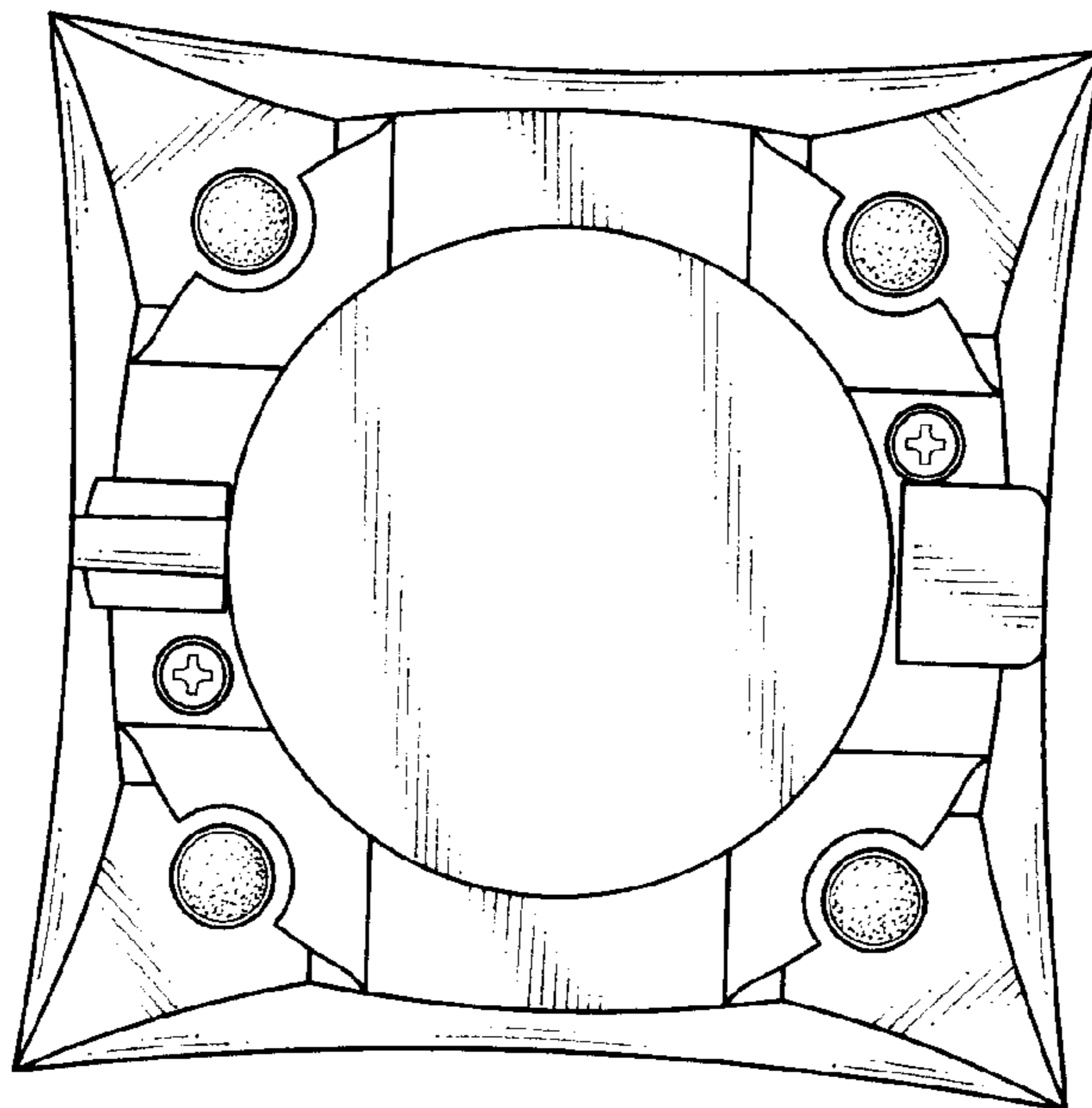


FIG. 7