



US00D589061S

(12) **United States Design Patent**
Chu

(10) **Patent No.:** **US D589,061 S**
(45) **Date of Patent:** **** Mar. 24, 2009**

(54) **COUPLING BRACKET FOR AIR COMPRESSOR**

Primary Examiner—R. Seifert
(74) *Attorney, Agent, or Firm*—Charles E. Baxley

(76) **Inventor:** **Henry C. Chu**, 133 N. Lemon St.,
Orange, CA (US) 92866

(57) **CLAIM**

The ornamental design for a coupling bracket for air compressor, as shown and described.

(**) **Term:** **14 Years**

(21) **Appl. No.:** **29/310,689**

DESCRIPTION

(22) **Filed:** **Sep. 4, 2008**

(51) **LOC (9) Cl.** **15-02**

(52) **U.S. Cl.** **D15/7**

(58) **Field of Classification Search** D15/7-9;
D23/231, 232, 225; 417/410.1, 359, 415-416,
417/234, 321, 265, 405

FIG. 1 is a front perspective view of a coupling bracket for air compressor showing my new design;

FIG. 2 is a front elevational view thereof;

FIG. 3 is a rear elevational view thereof;

FIG. 4 is a top plan view thereof;

FIG. 5 is a bottom plan view thereof;

FIG. 6 is a left side elevational view thereof;

FIG. 7 is a right side elevational view thereof;

FIG. 8 is a rear elevational view thereof; and,

FIG. 9 is a rear elevational view thereof, the air compressor depicted by means of broken lines being for illustrative purposes only and forming no part of the claimed design.

See application file for complete search history.

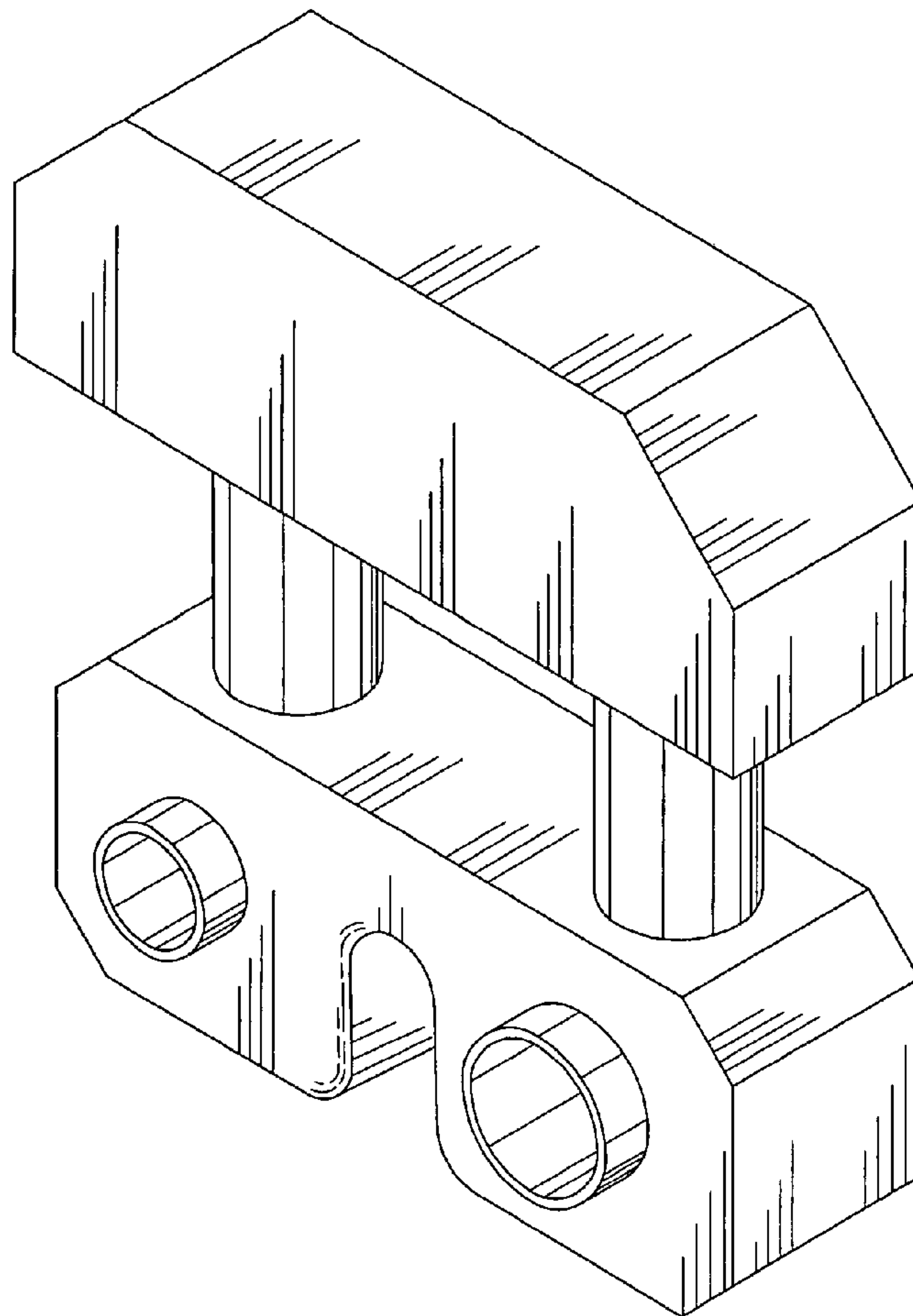
(56) **References Cited**

U.S. PATENT DOCUMENTS

D444,795 S * 7/2001 Wakasugi et al. D15/7
D461,733 S * 8/2002 Iida D10/85
D556,861 S * 12/2007 Yokohari D23/233

* cited by examiner

1 Claim, 6 Drawing Sheets



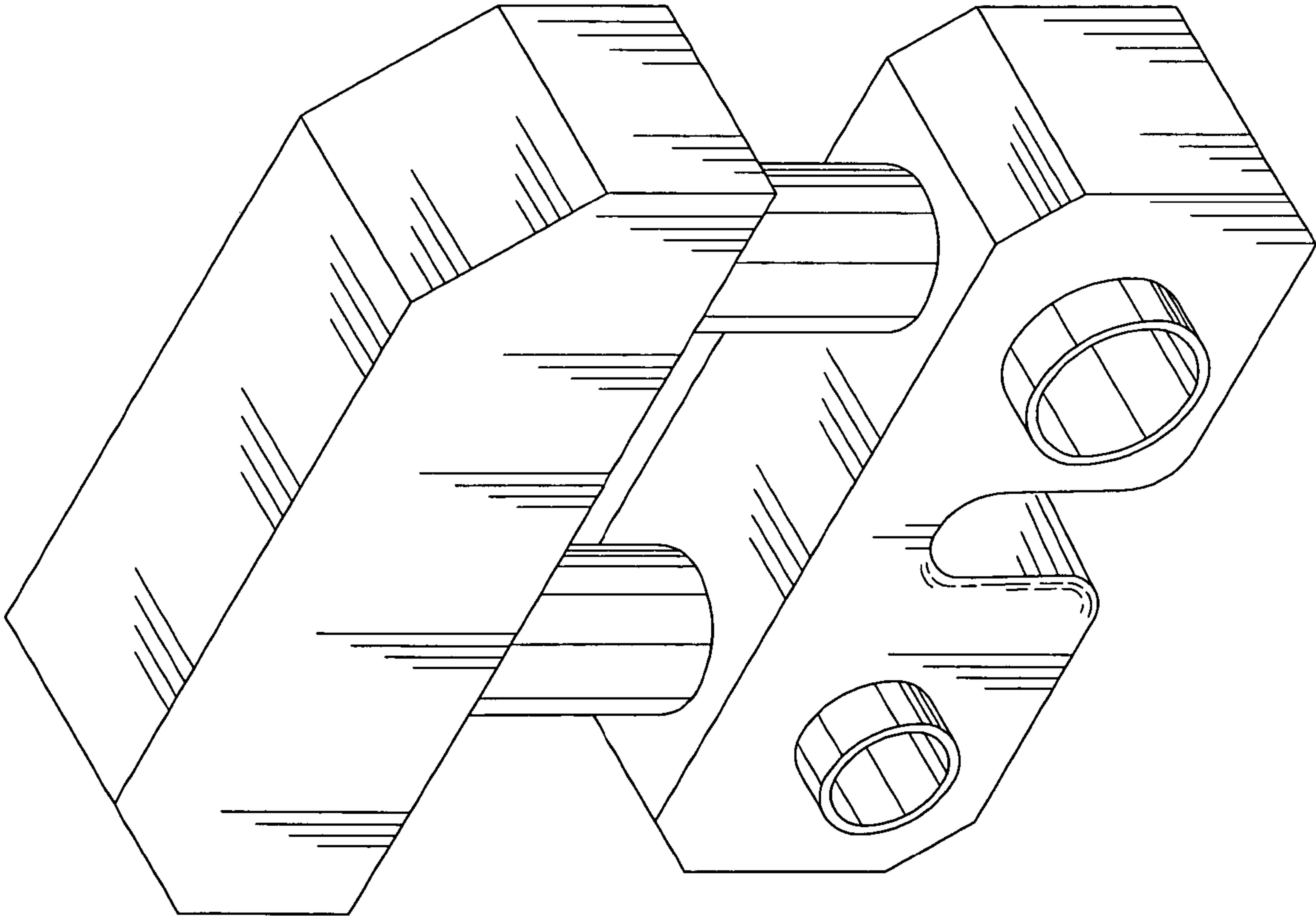


FIG. 1

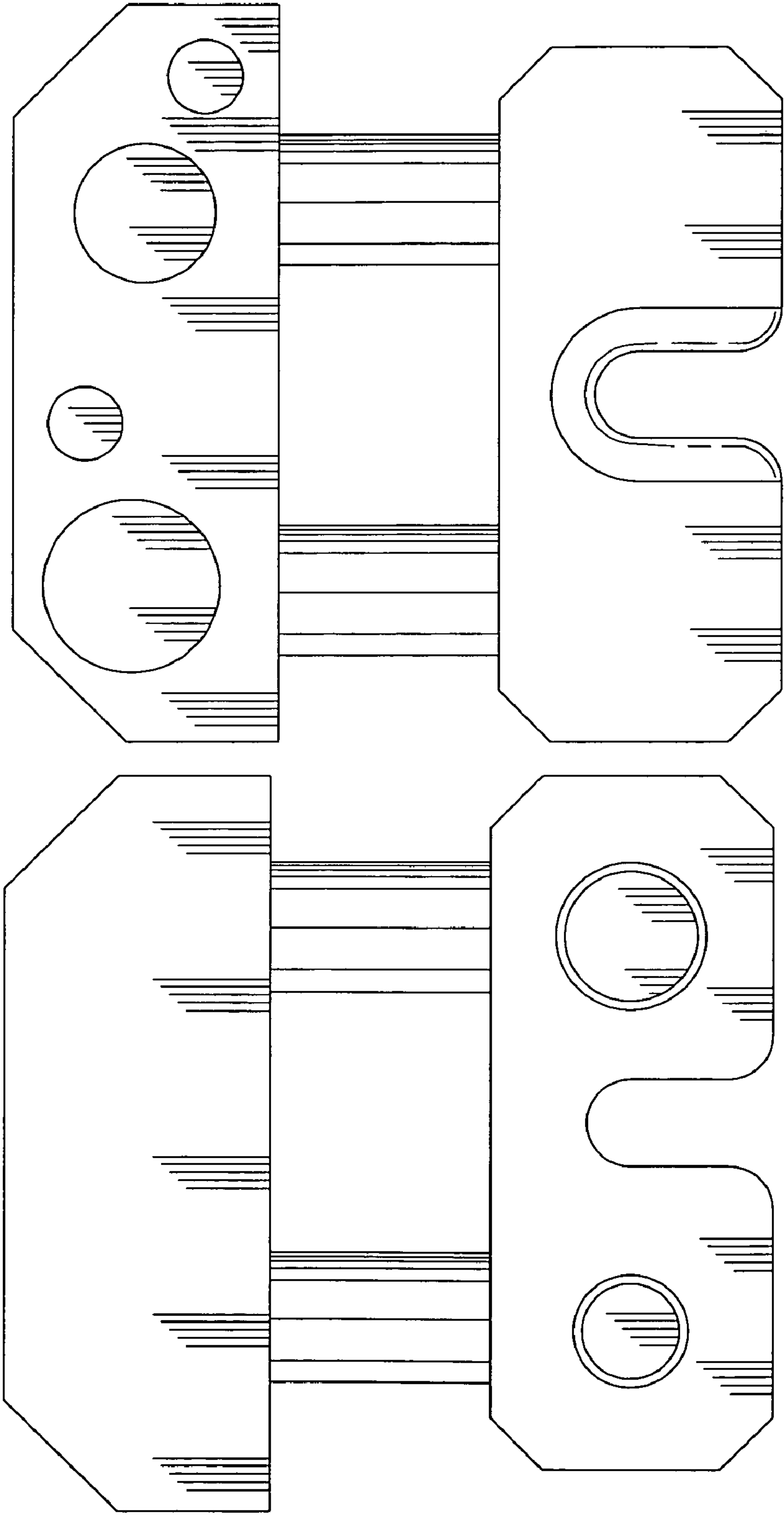


FIG. 2

FIG. 3

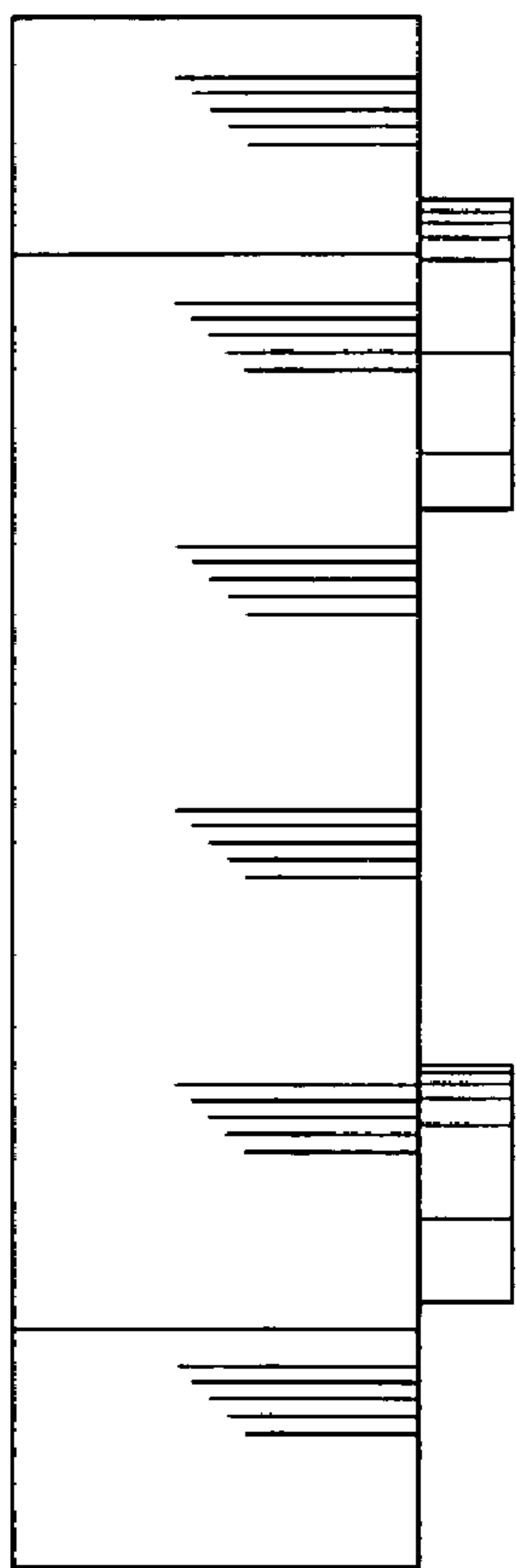


FIG. 4

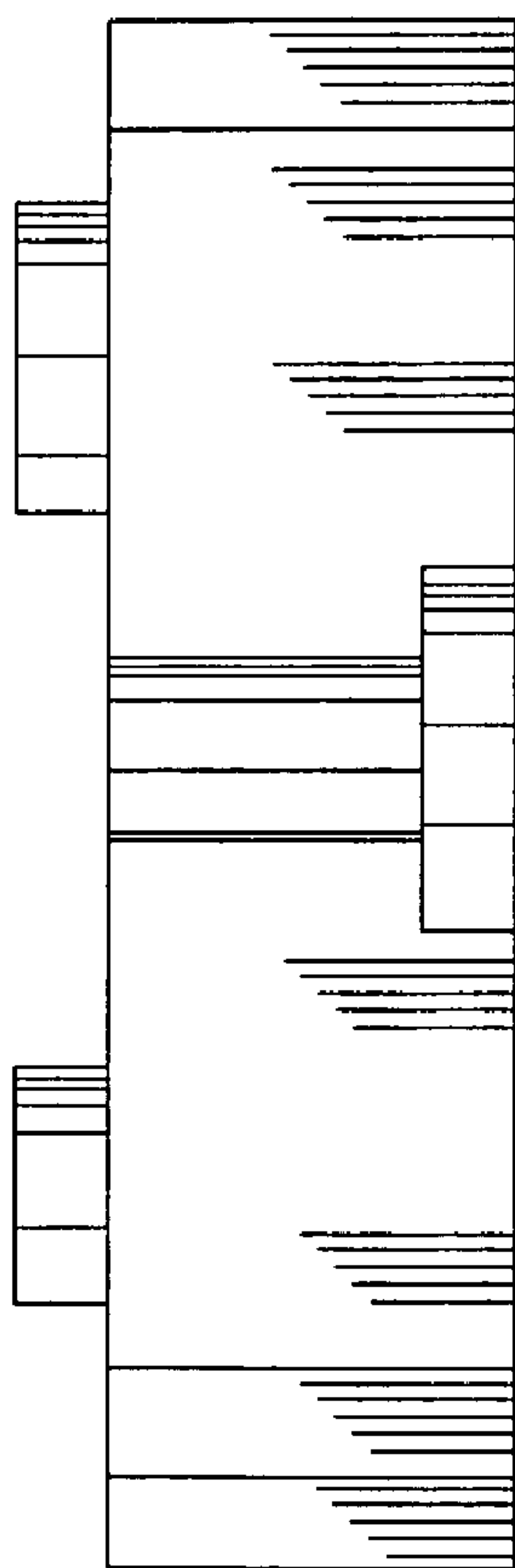


FIG. 5

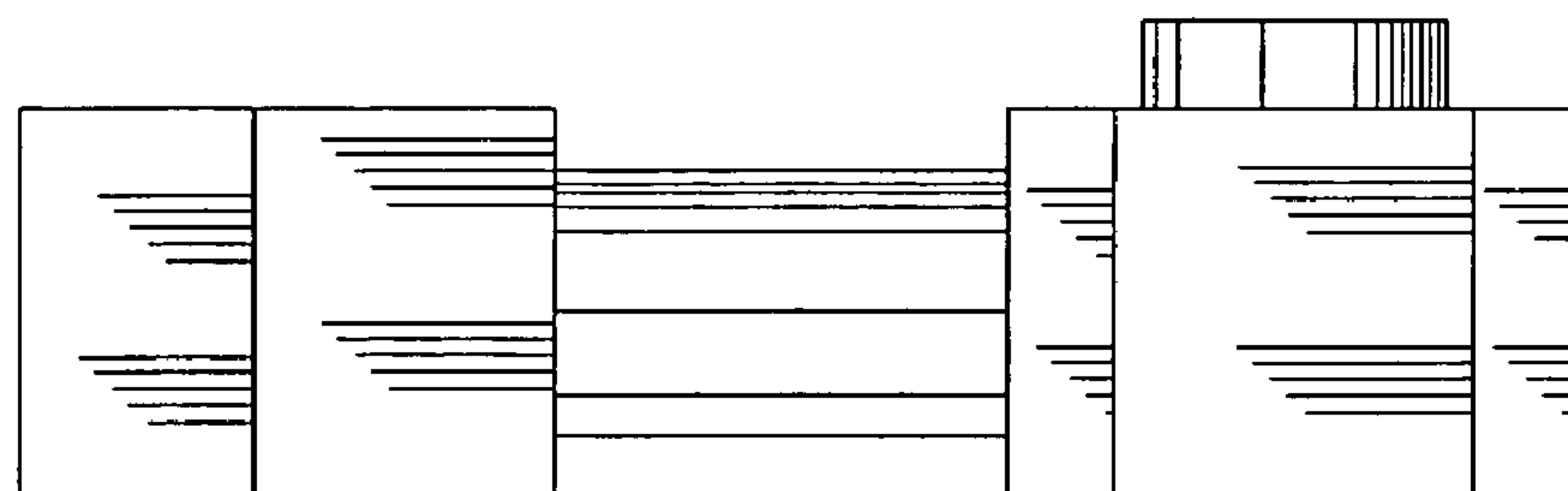
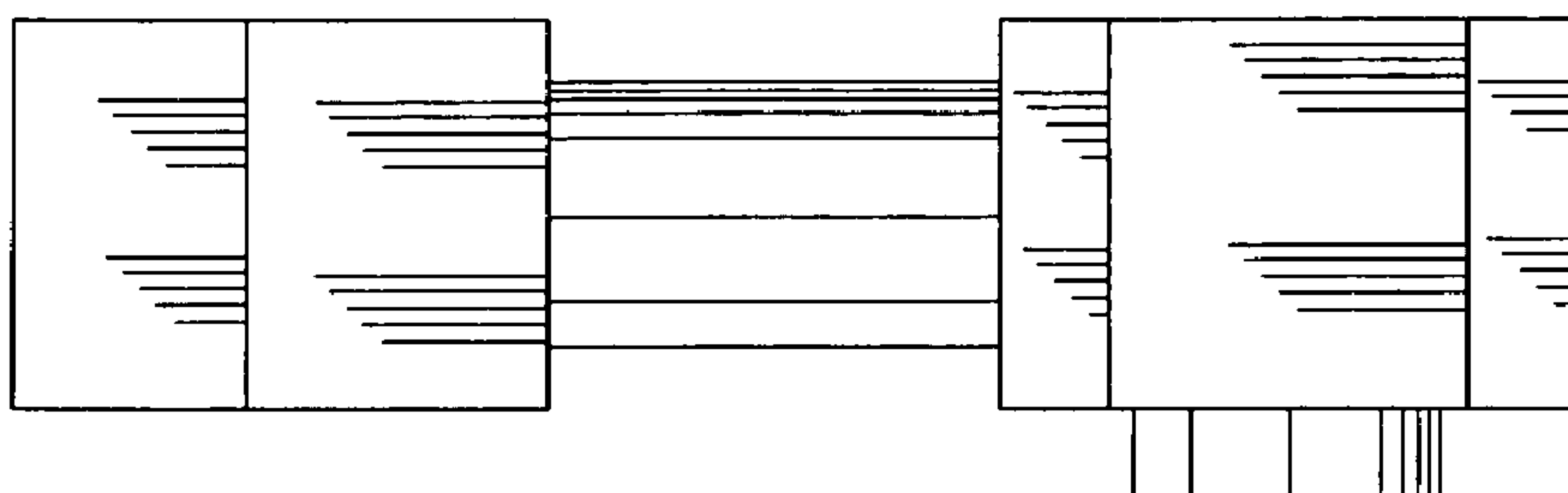


FIG. 6 FIG. 7

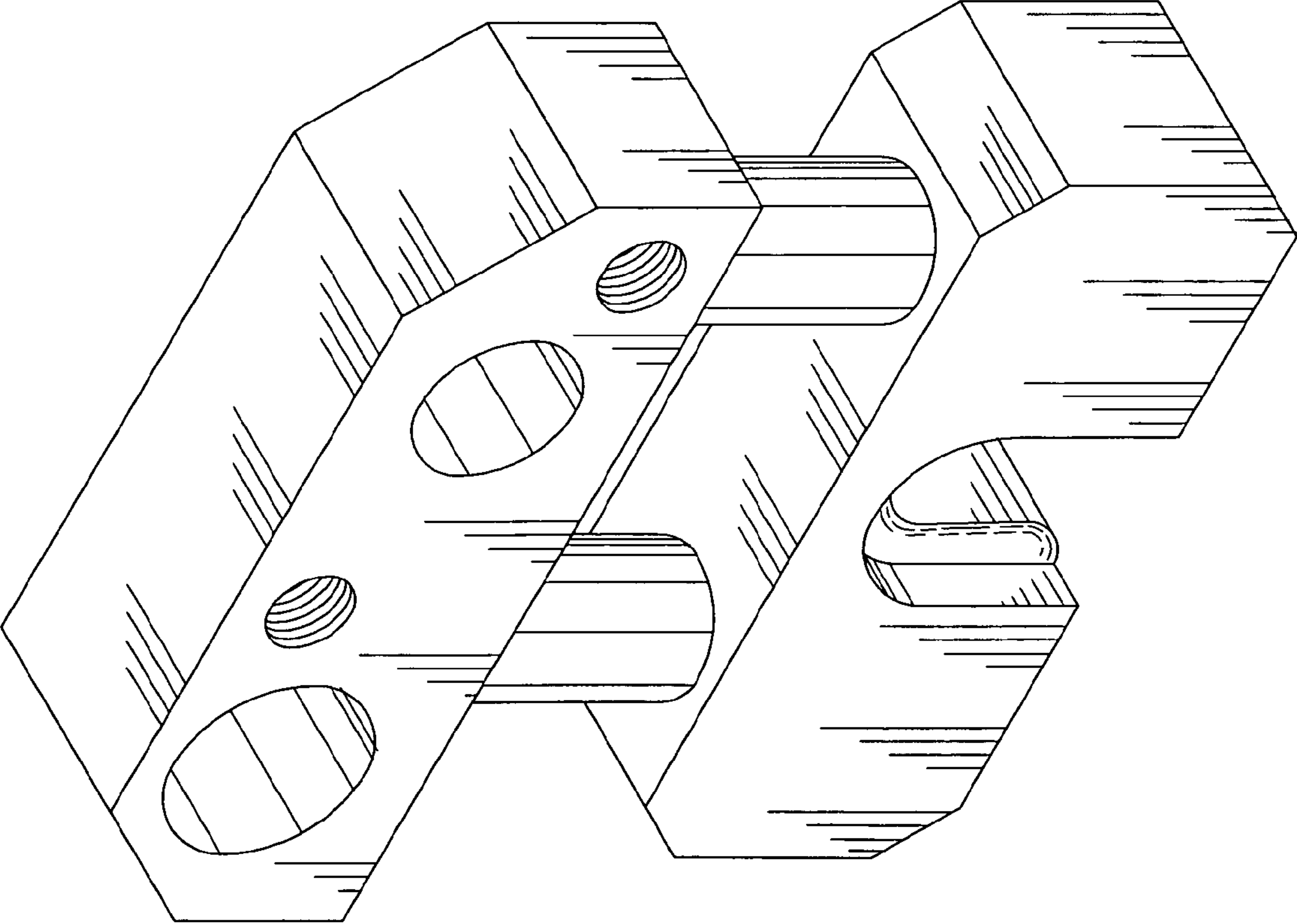


FIG. 8

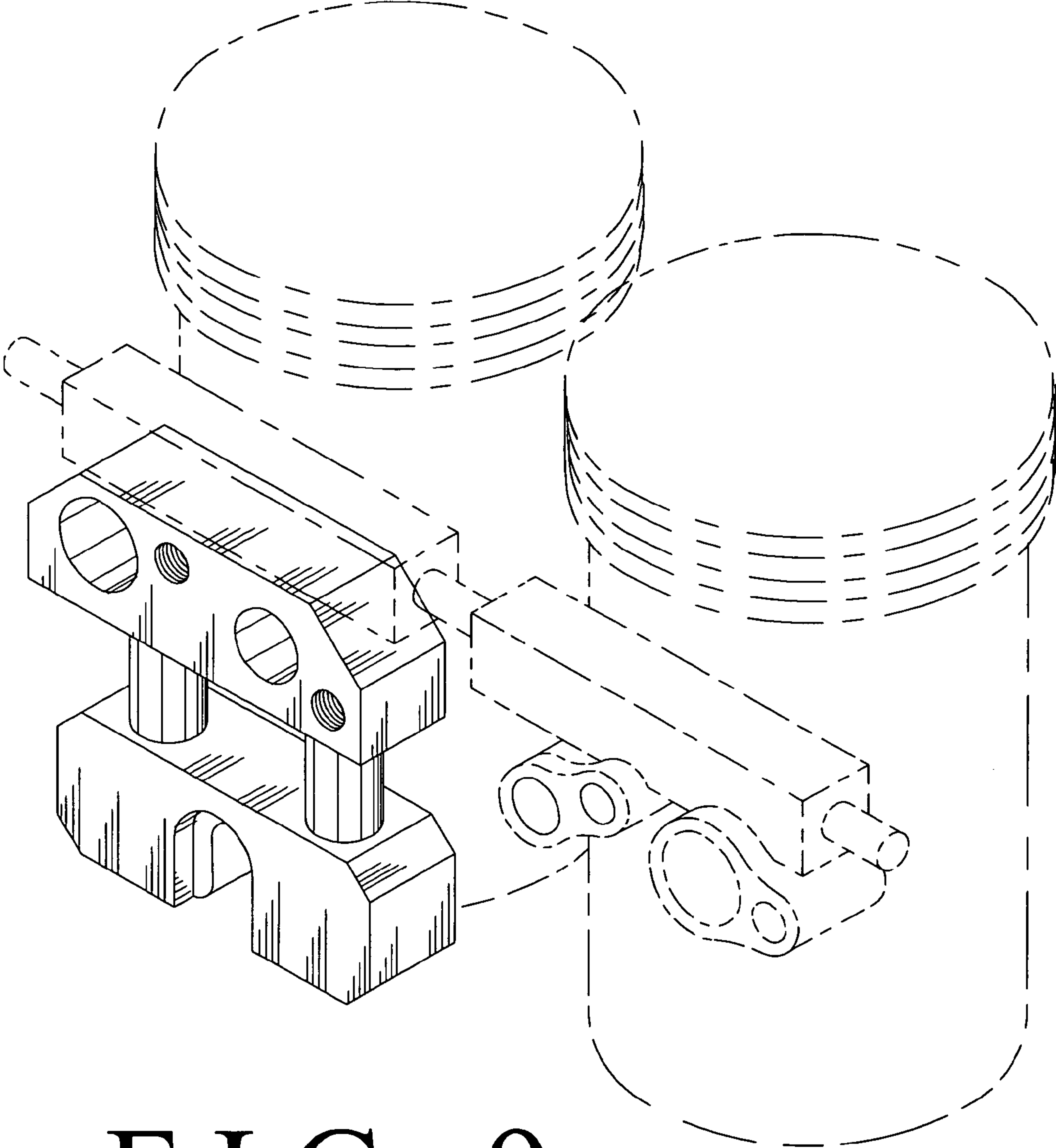


FIG. 9