



US00D589059S

(12) **United States Design Patent**  
**Pagotto**

(10) **Patent No.:** **US D589,059 S**  
(45) **Date of Patent:** **\*\* Mar. 24, 2009**

(54) **MORTAR PUMP**

(75) Inventor: **Loris Pagotto**, Salgareda (IT)

(73) Assignee: **Imer International S.p.A.**, Poggibonsi (SI) (IT)

(\*\*) Term: **14 Years**

(21) Appl. No.: **29/239,903**

(22) Filed: **Oct. 5, 2005**

(51) **LOC (9) Cl.** ..... **15-02**

(52) **U.S. Cl.** ..... **D15/7**

(58) **Field of Classification Search** ..... D15/7-9;  
D23/232, 231; 417/359, 415-416, 410.1,  
417/321, 265, 405

See application file for complete search history.

(56) **References Cited**

**U.S. PATENT DOCUMENTS**

|           |   |   |         |                |       |        |
|-----------|---|---|---------|----------------|-------|--------|
| D243,282  | S | * | 2/1977  | Burenga        | ..... | D15/9  |
| 4,854,822 | A | * | 8/1989  | Darroch        | ..... | 417/62 |
| D449,311  | S | * | 10/2001 | Graber et al.  | ..... | D15/9  |
| D450,061  | S | * | 11/2001 | Graber et al.  | ..... | D15/9  |
| D452,253  | S | * | 12/2001 | Matthew et al. | ..... | D15/9  |
| D477,149  | S | * | 7/2003  | Hay            | ..... | D4/130 |
| D481,737  | S | * | 11/2003 | Sugiyama       | ..... | D15/7  |
| D498,244  | S | * | 11/2004 | Chen           | ..... | D15/7  |
| D500,052  | S | * | 12/2004 | Lucchi         | ..... | D15/9  |

\* cited by examiner

*Primary Examiner*—R. Seifert

(74) *Attorney, Agent, or Firm*—McGlew & Tuttle, P.C.

(57) **CLAIM**

The ornamental design for a mortar pump, as shown and described.

**DESCRIPTION**

FIG. 1 is a right side view of my new mortar pump, the background of the floor and the rear wall, not being a part of the design;

FIG. 2 is a left side view of my new mortar pump, the background of the shown floor and rear wall not being a part of the design;

FIG. 3 is a front end view of my new mortar pump, the background of the shown floor and rear wall not being a part of the design;

FIG. 4 is a rear end view thereof, the background of the shown floor and rear wall not being a part of the design;

FIG. 5 is a top view thereof, the background of the shown floor and rear wall not being a part of the design;

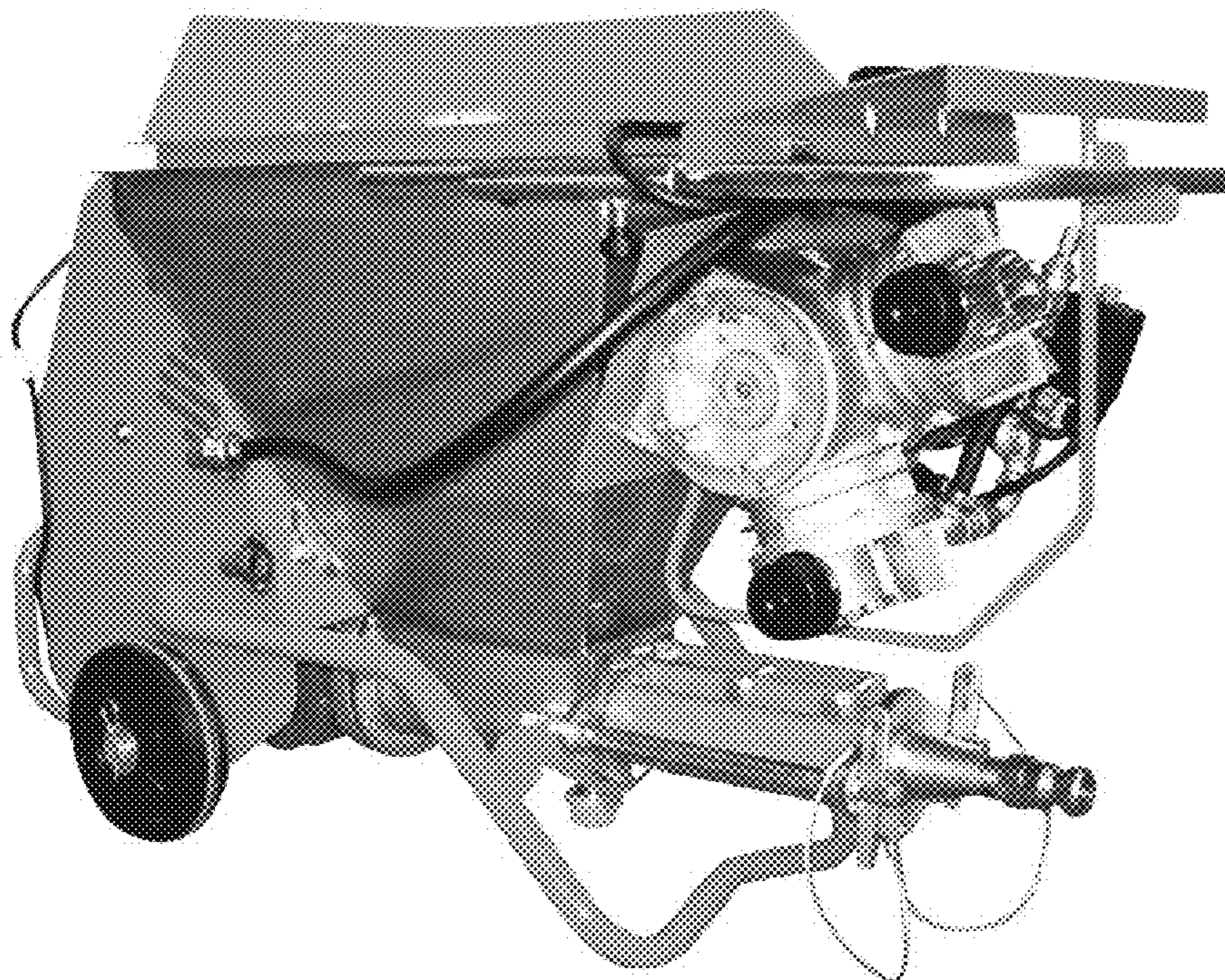
FIG. 6 is a bottom view thereof, the background of the shown floor and rear wall not being a part of the design;

FIG. 7 is a left front perspective view thereof, the background of the shown floor and rear wall not being a part of the design;

FIG. 8 is a right front perspective view thereof, the background of the shown floor and rear wall not being a part of the design; and,

FIG. 9 is a left rear side perspective view thereof, the background of the shown floor and rear wall not being a part of the design.

**1 Claim, 9 Drawing Sheets**





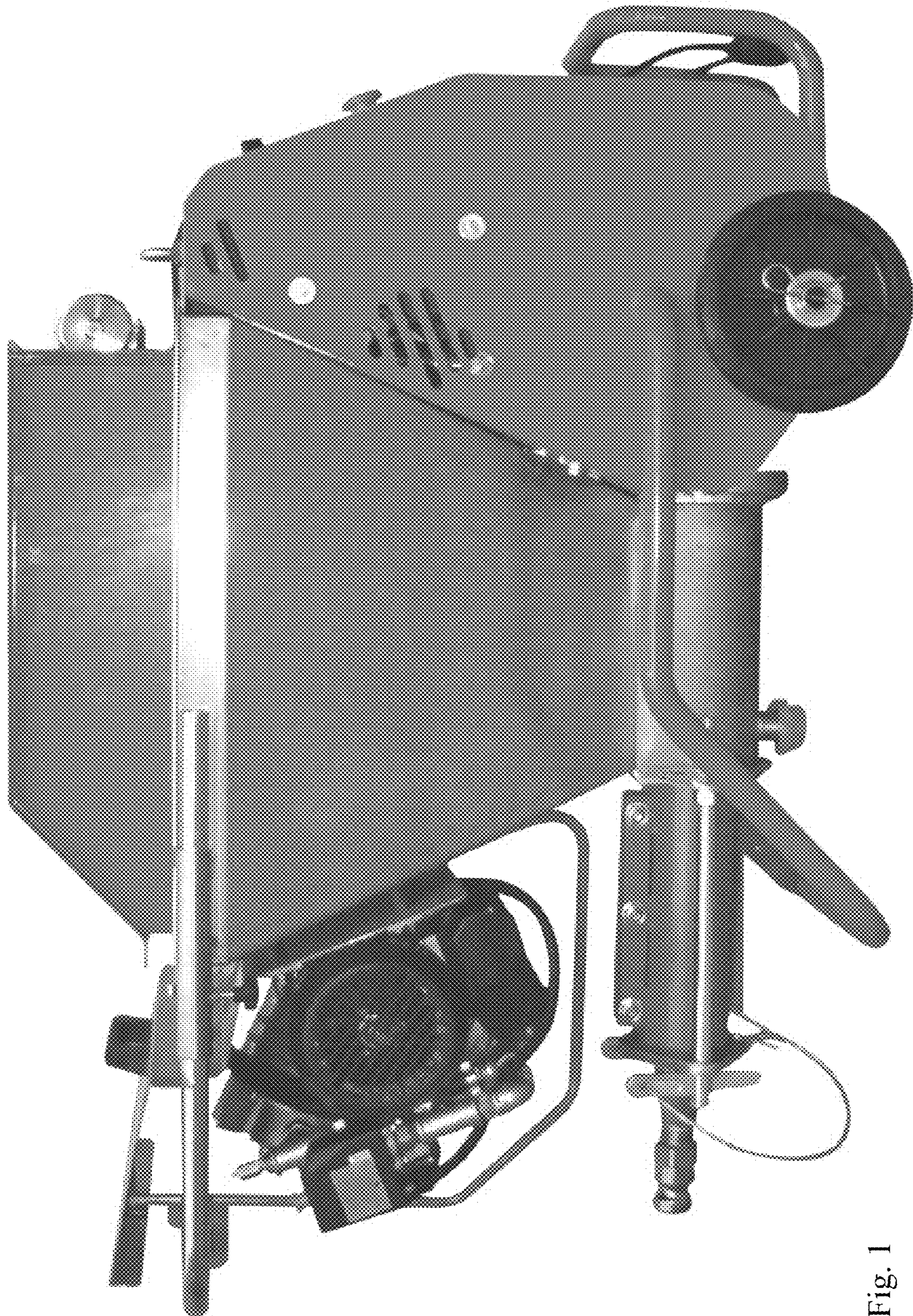


Fig. 1



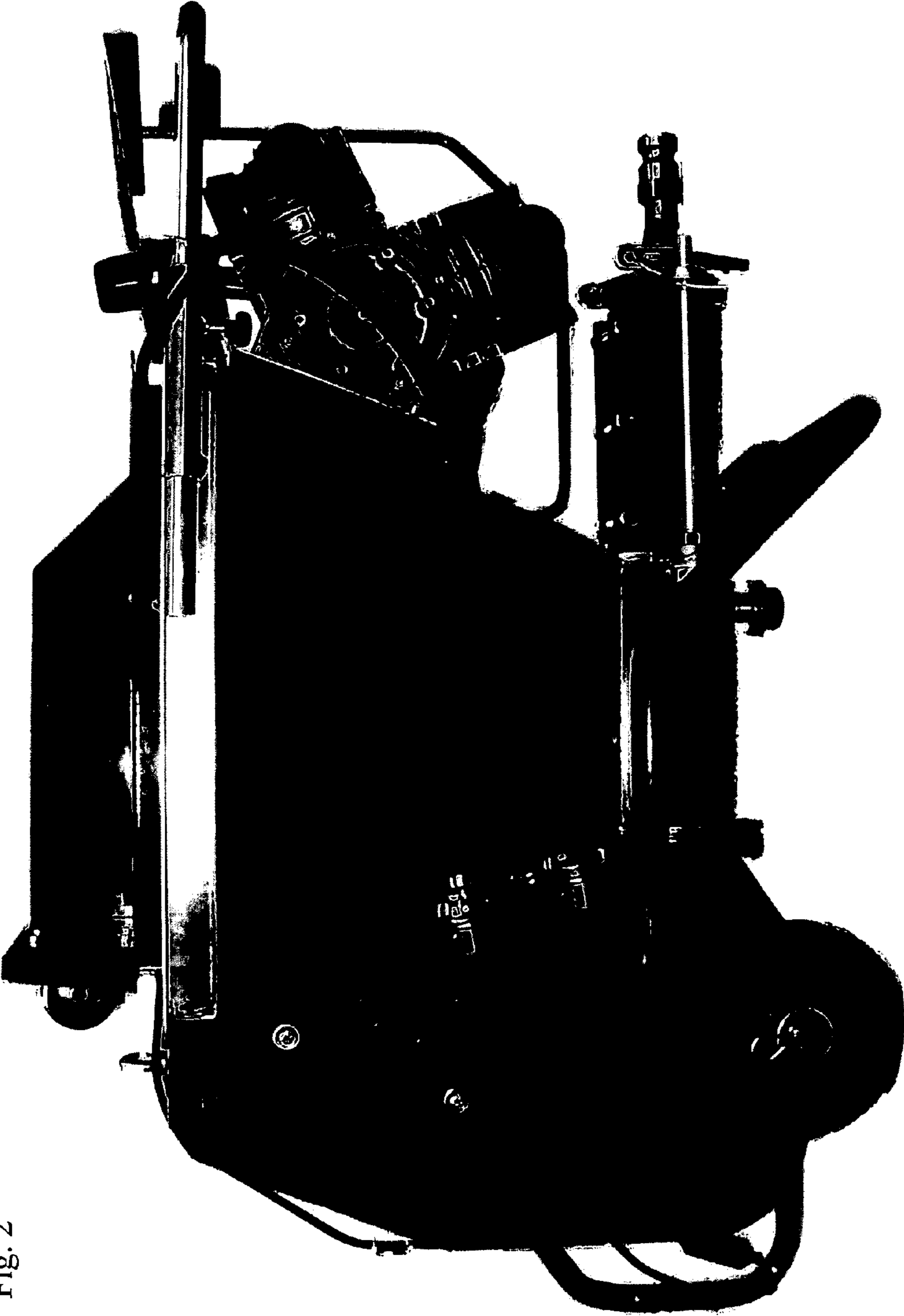


Fig. 2

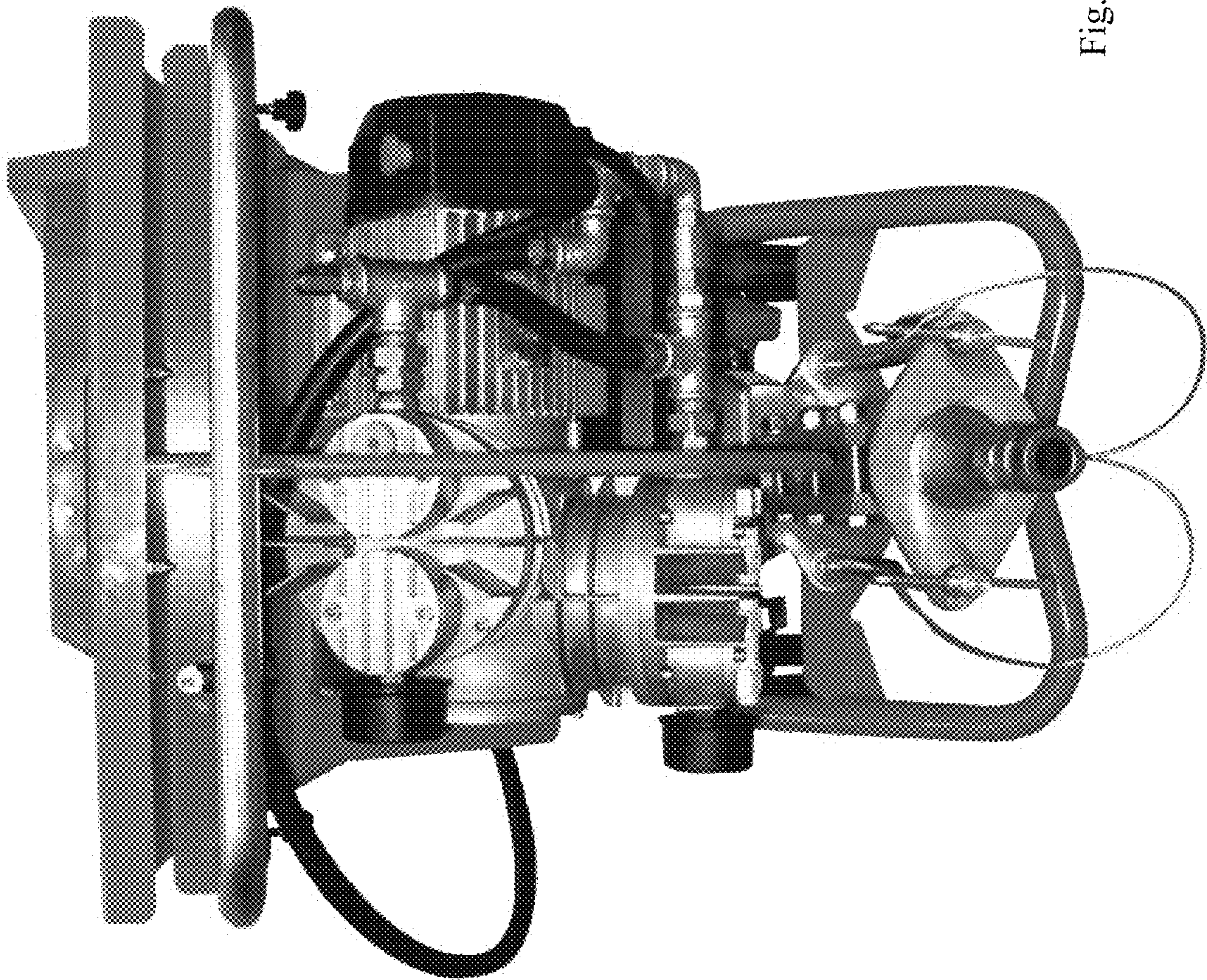


Fig. 3





Fig. 4



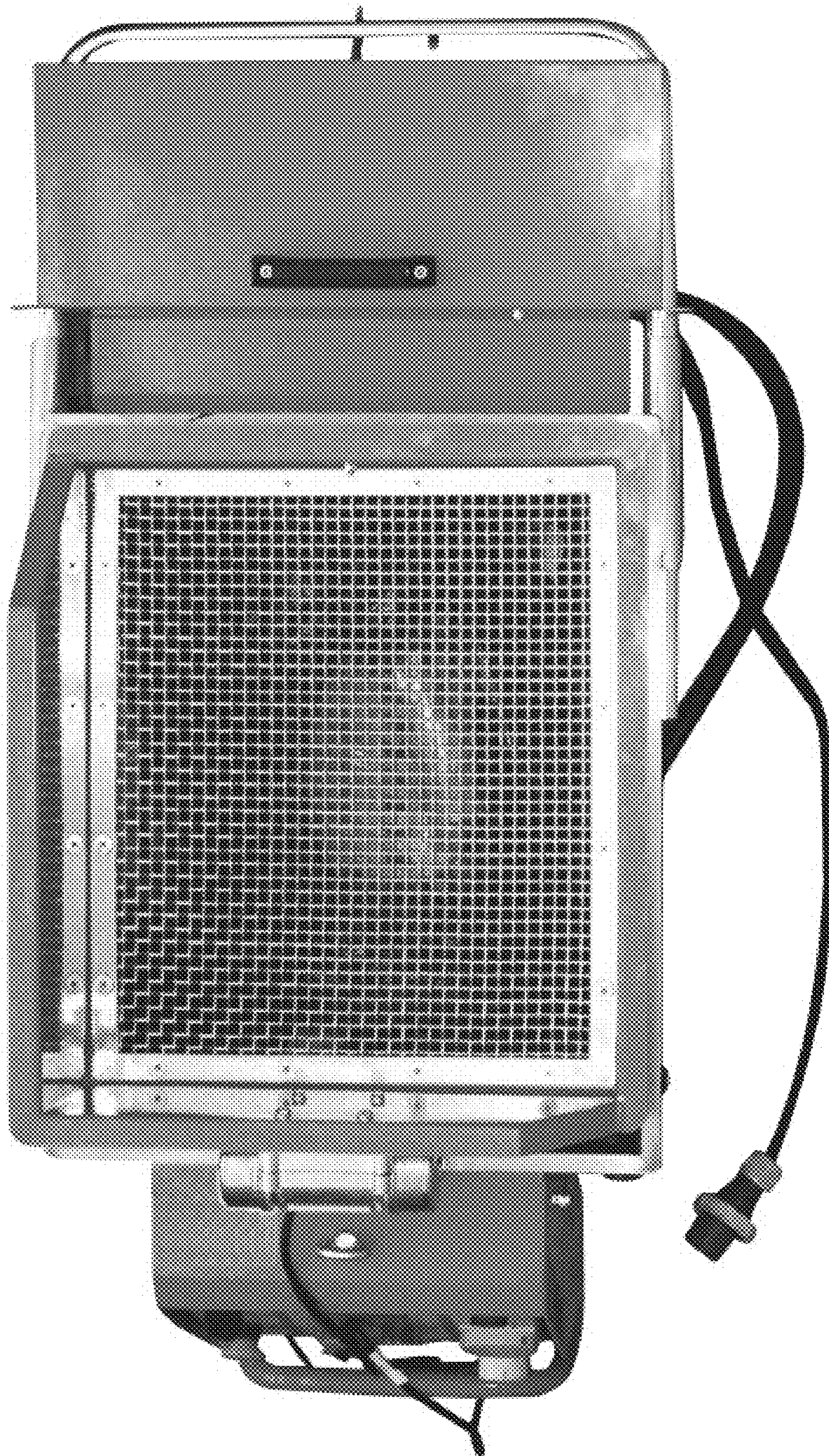


Fig. 5



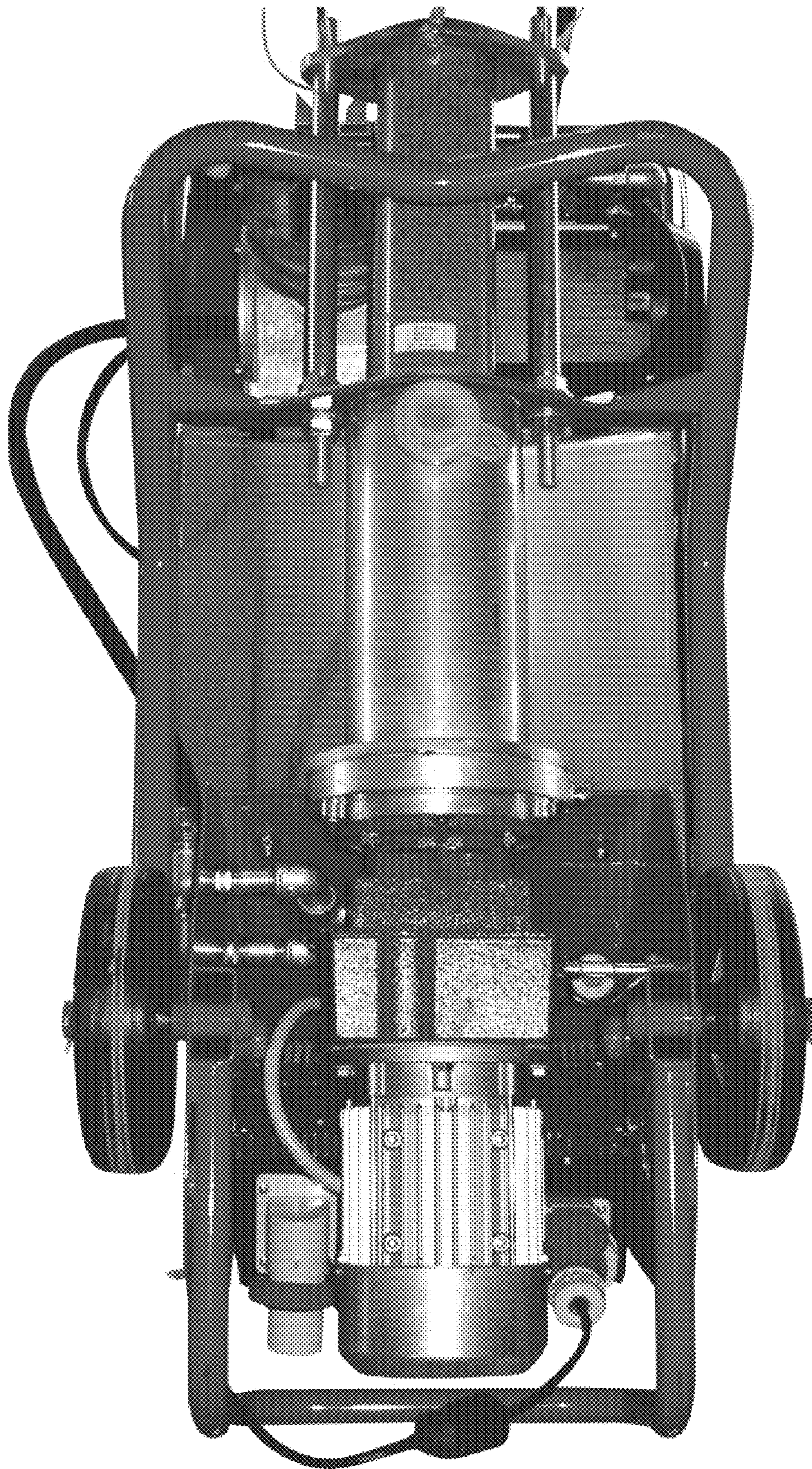


Fig. 6



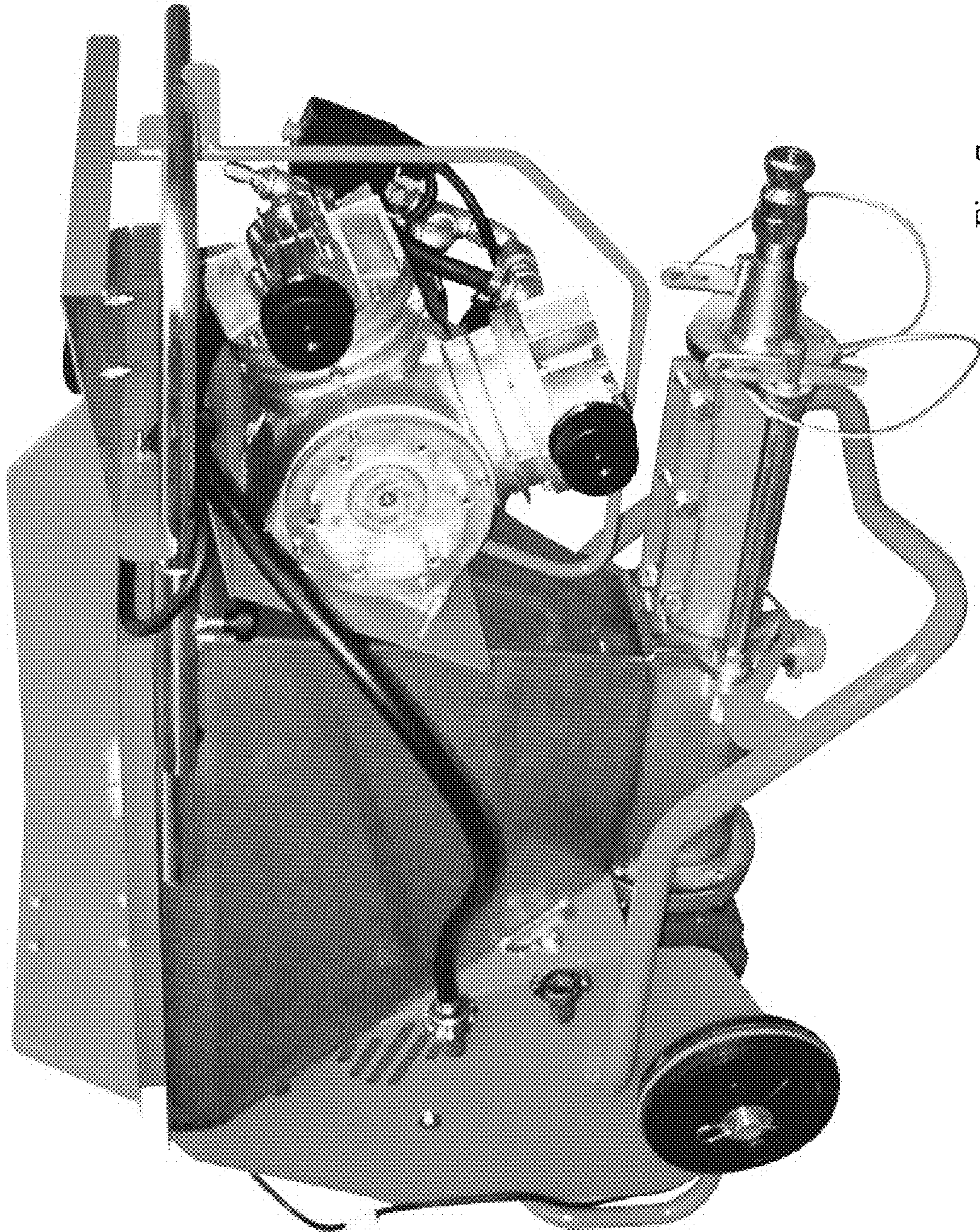


Fig. 7



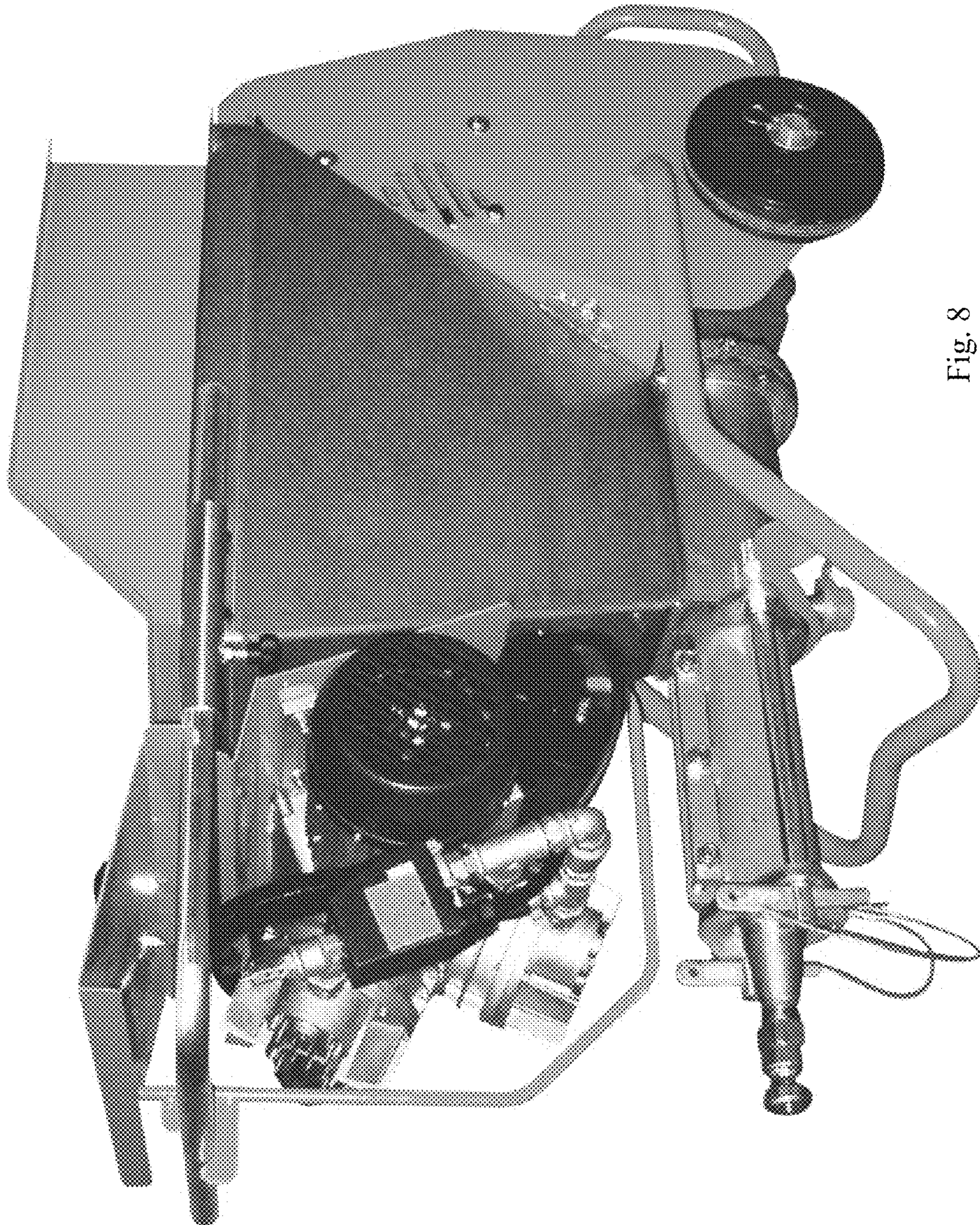


Fig. 8



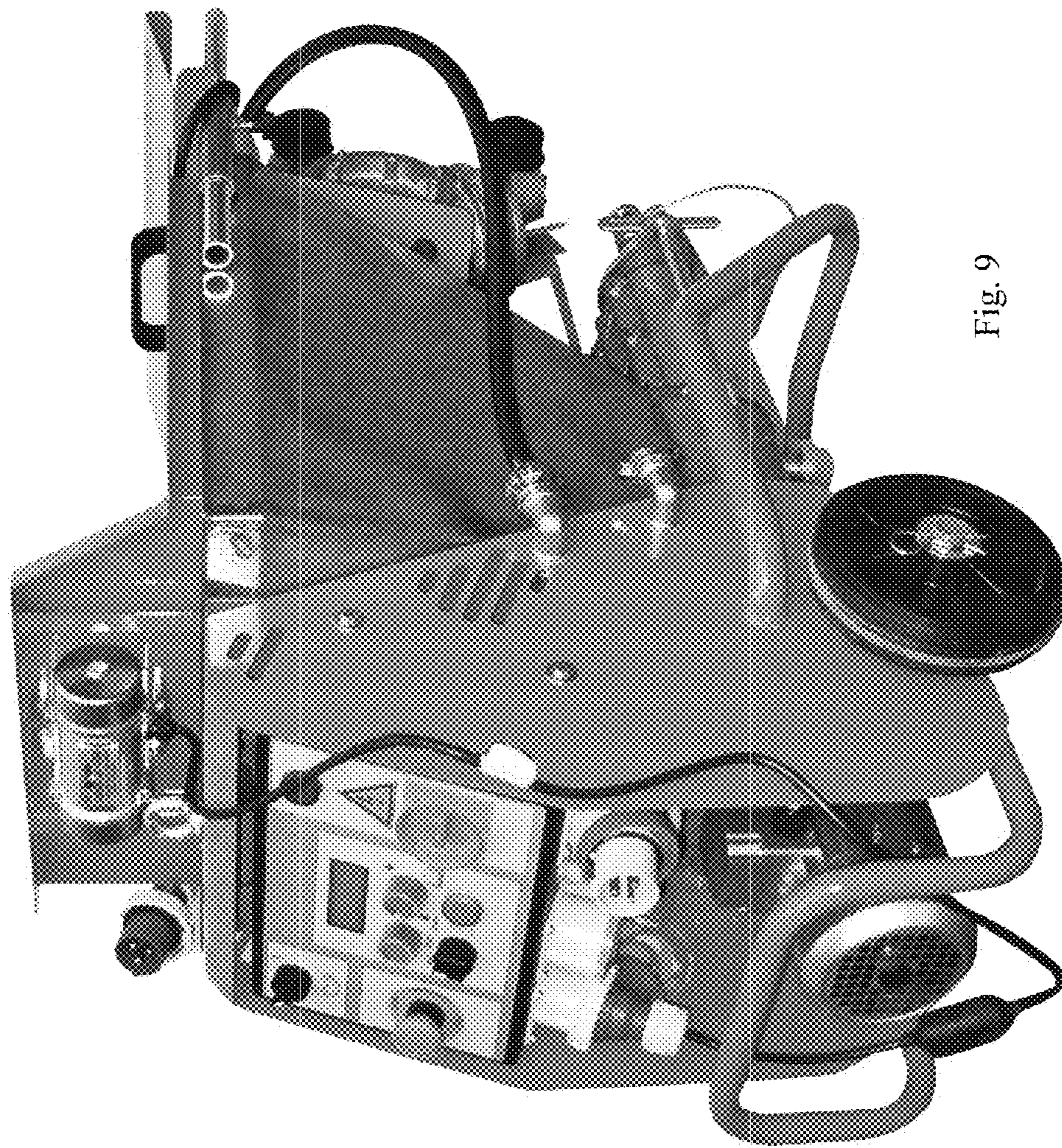


Fig. 9