



US00D589058S

(12) **United States Design Patent**
Vasilaros

(10) **Patent No.:** **US D589,058 S**
(45) **Date of Patent:** **** Mar. 24, 2009**

(54) **MARINE ENGINE FLUSHING DEVICE**

Primary Examiner—Lisa P Lichtenstein
(74) *Attorney, Agent, or Firm—John Lezdey*

(76) **Inventor:** **Jack Vasilaros**, 2551 Drew St., Suite
301, Clearwater, FL (US) 33765

(57) **CLAIM**

(**) **Term:** **14 Years**

The ornamental design for a marine engine flushing device, as shown and described.

(21) **Appl. No.:** **29/308,017**

(22) **Filed:** **May 22, 2008**

(51) **LOC (9) Cl.** **15-01**

DESCRIPTION

(52) **U.S. Cl.** **D15/5**

(58) **Field of Classification Search** D15/1-5,
D15/7-9; 123/90.38, 195 C, 90.37; D23/232,
D23/231; 415/220, 143; 416/188; 417/365;
418/144

See application file for complete search history.

FIG. 1 is a front side perspective view of the device showing my new design with a cap thereon;

FIG. 2 is a rear elevational view thereof;

FIG. 3 is a left side elevational view thereof, and the right side being the same;

FIG. 4 is top perspective view thereof; and,

FIG. 5 is a bottom perspective view thereof.

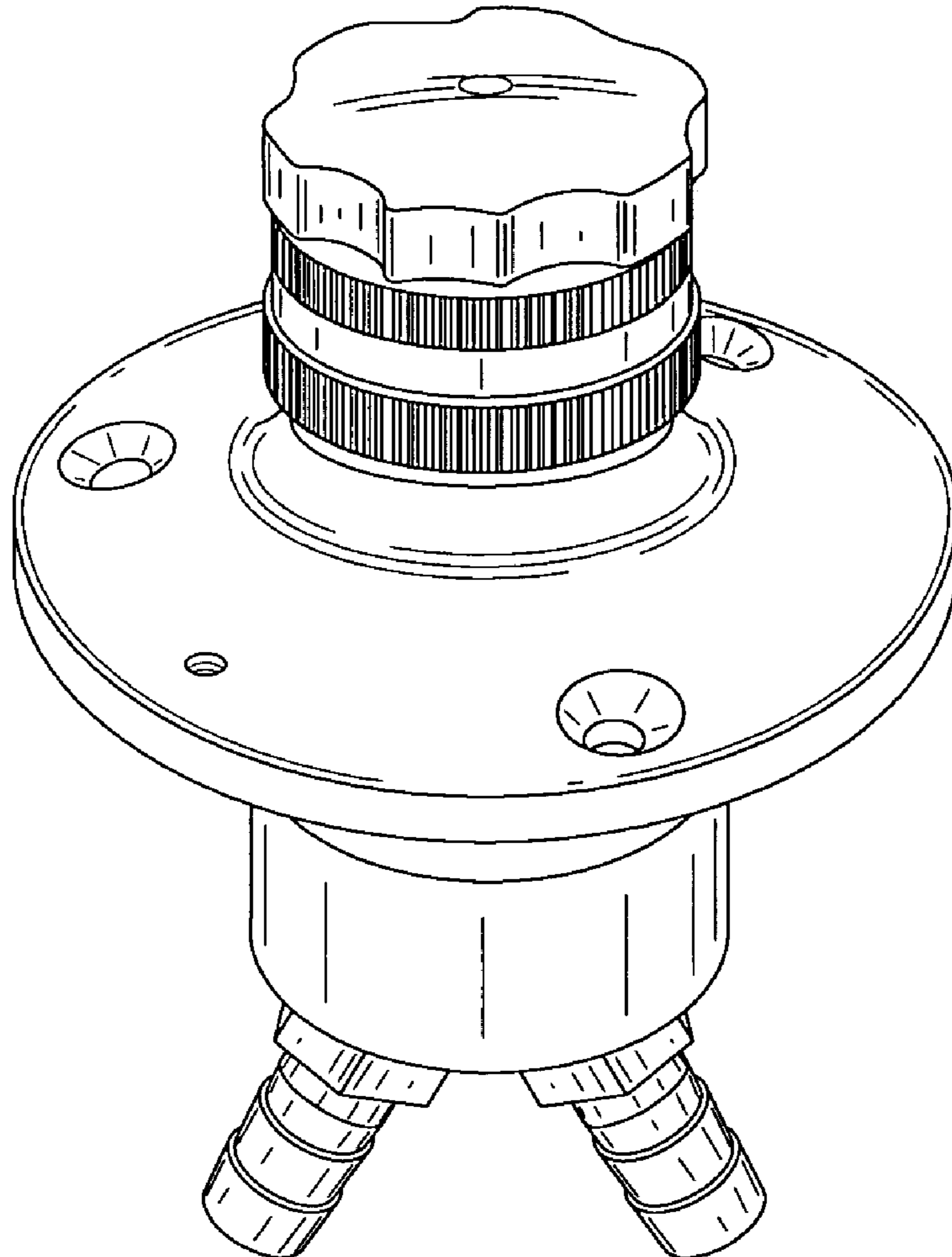
(56) **References Cited**

U.S. PATENT DOCUMENTS

5,071,377 A * 12/1991 Saunders et al. 440/88 R

* cited by examiner

1 Claim, 4 Drawing Sheets



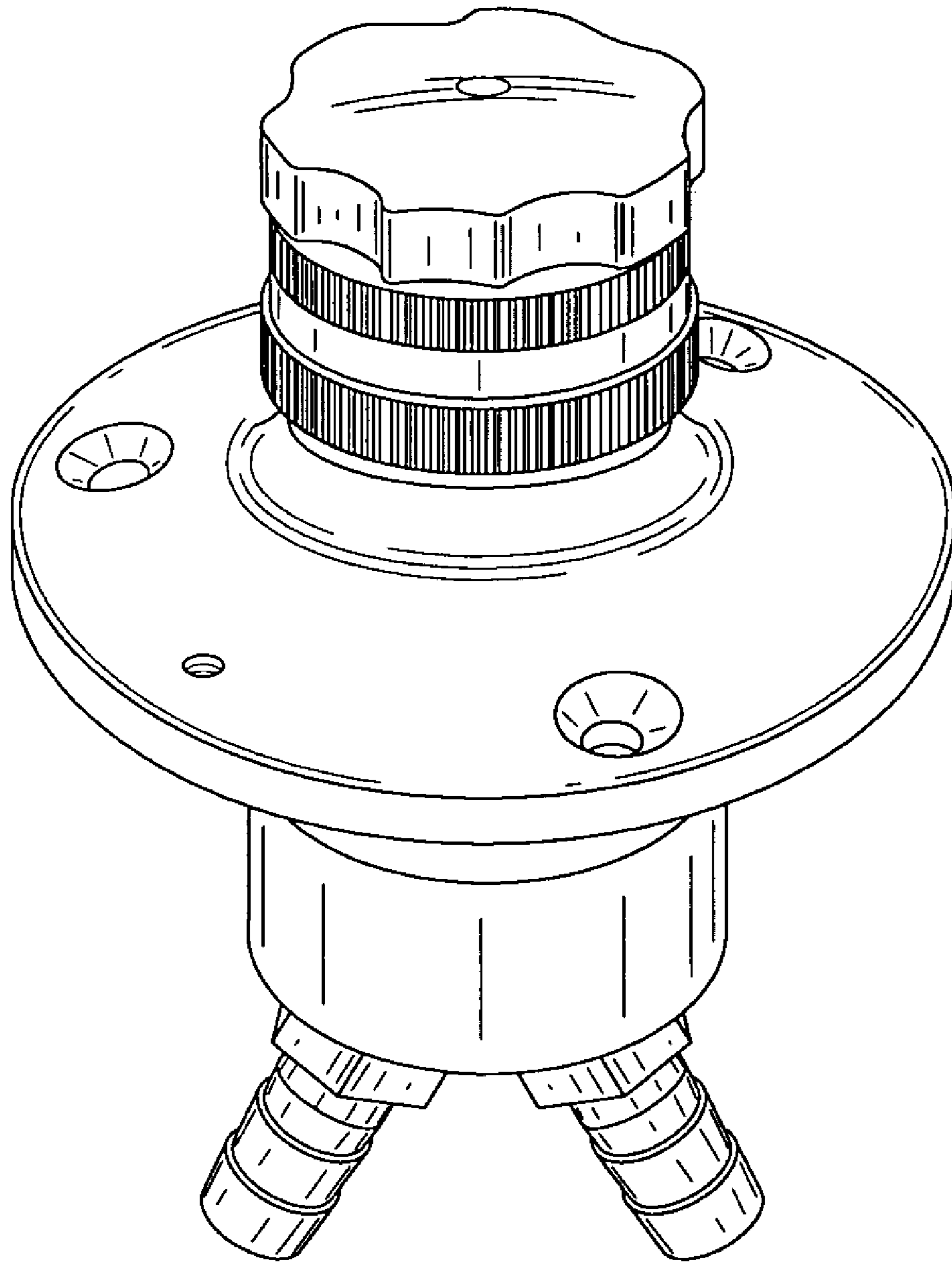


FIG. 1

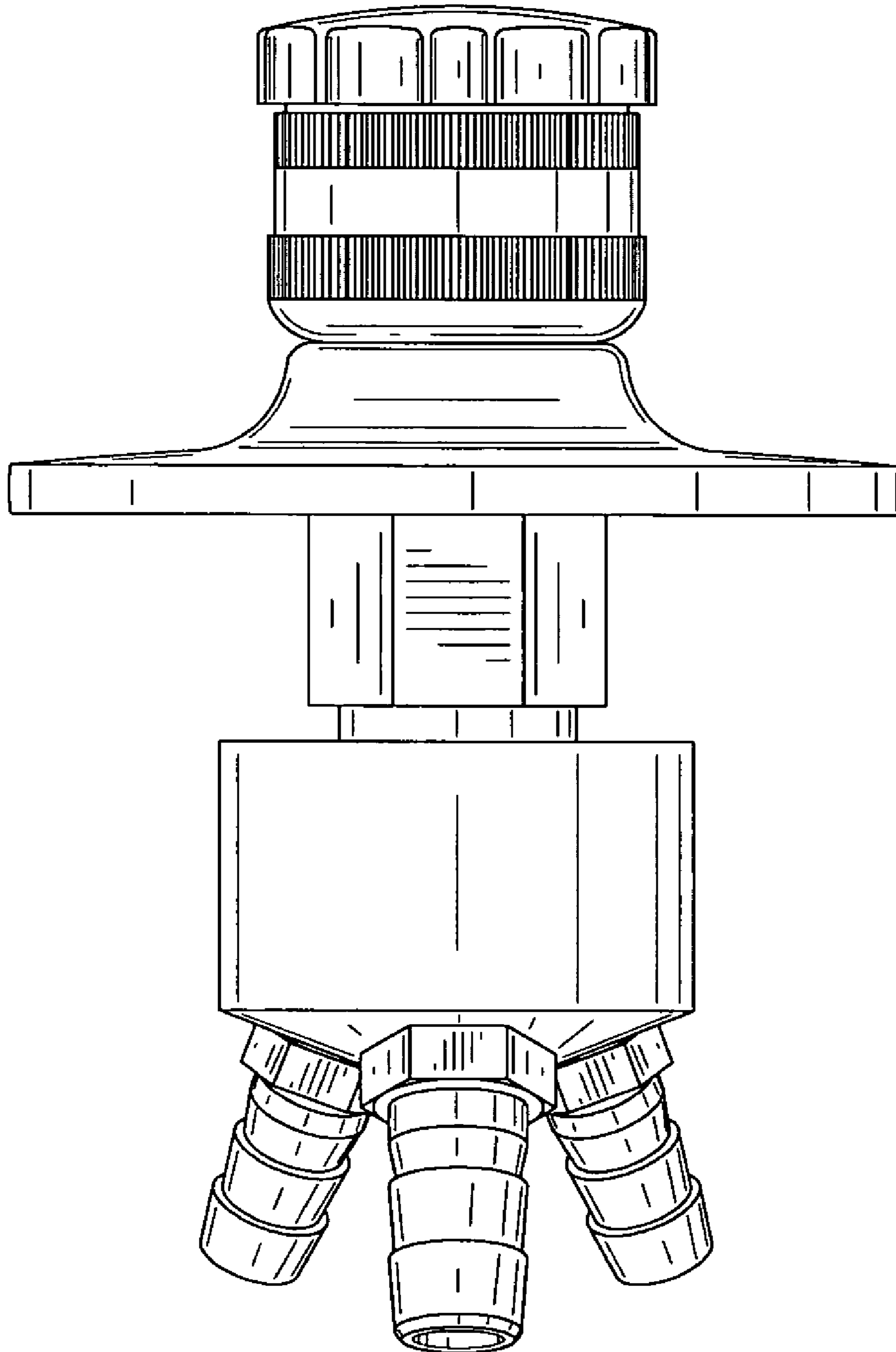


FIG. 2

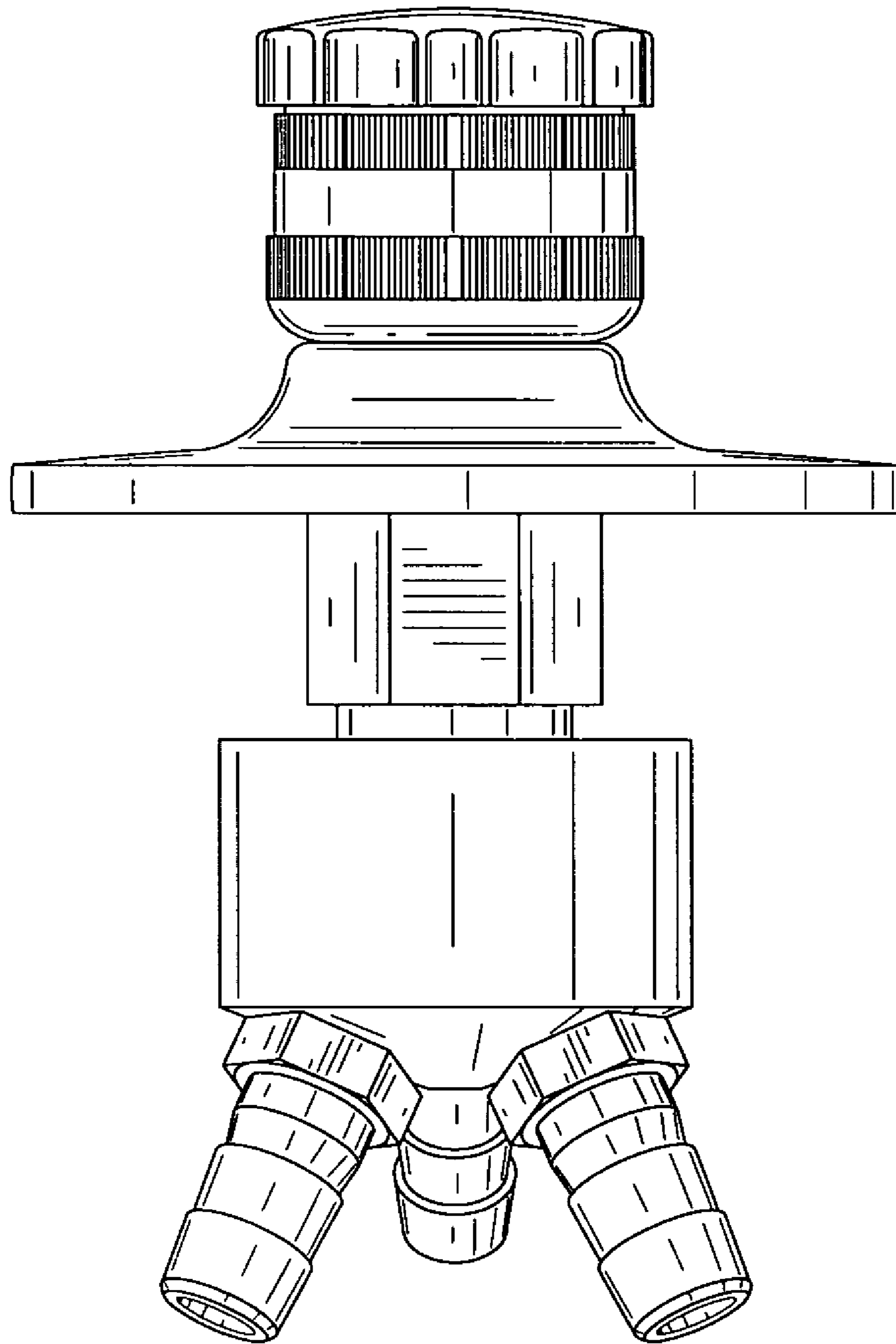


FIG. 3

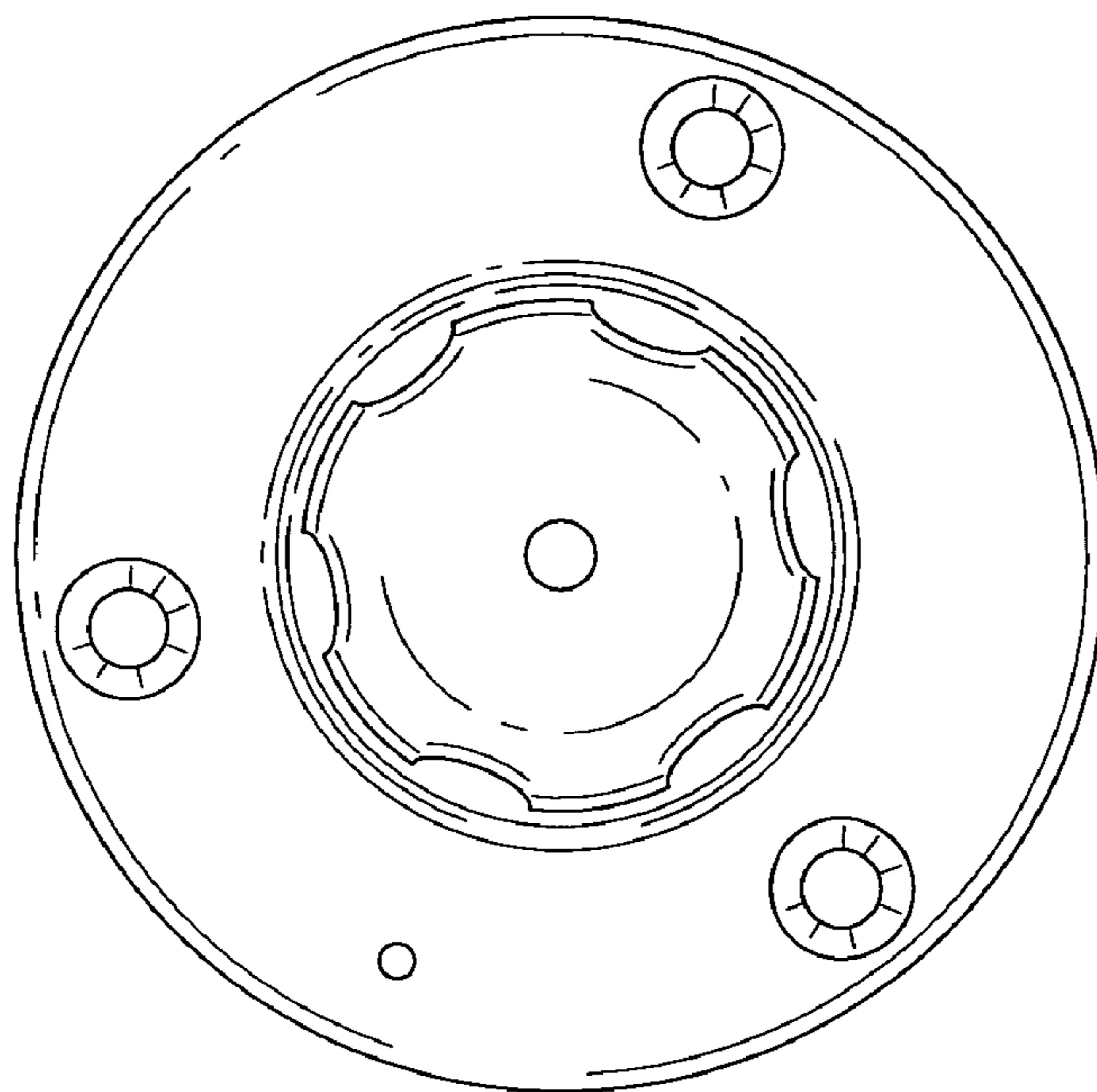


FIG. 4

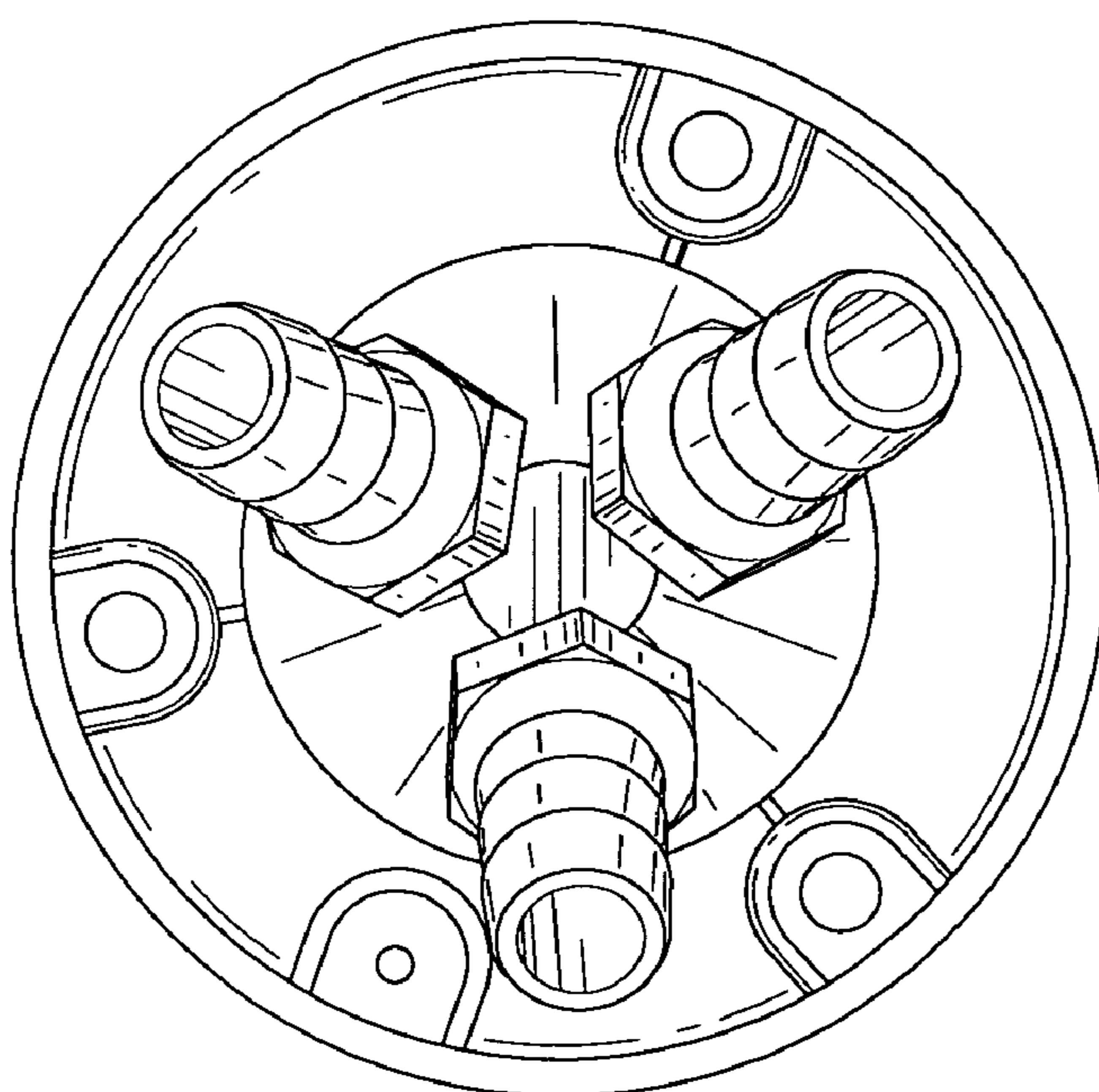


FIG. 5