



US00D589048S

(12) **United States Design Patent**
Nossek

(10) **Patent No.:** **US D589,048 S**
(45) **Date of Patent:** **** Mar. 24, 2009**

(54) **PIN PAD TERMINAL**

(75) Inventor: **Harald Nossek**, Steinhagen (DE)

(73) Assignee: **Wincor Nixdorf International GmbH**
(DE)

(**) Term: **14 Years**

(21) Appl. No.: **29/293,439**

(22) Filed: **Nov. 21, 2007**

(30) **Foreign Application Priority Data**

Jun. 19, 2007 (DE) 4 07 03 142

(51) **LOC (9) Cl.** **14-02**

(52) **U.S. Cl.** **D14/455; D99/28**

(58) **Field of Classification Search** D14/454,
D14/455, 456, 320, 331, 333, 334, 335, 338,
D14/339, 340, 341, 342, 345, 346, 347, 387,
D14/390, 391, 392, 393, 394, 395, 396, 397,
D14/398, 150, 247, 248, 900, 901, 902, 402,
D14/406, 426, 432, 439, 453, 457, 137, 138,
D14/218, 315, 327; D13/168; D18/12.2,
D18/7, 52, 24, 25, 29, 1, 2, 4.6; 235/145 R;
341/22, 27, 28; 345/168, 169, 170, 171,
345/172, 947, 948, 163; 379/368, 915, 433.07,
379/433.06; 400/109, 110, 111, 472, 484,
400/485, 486, 487, 490, 491, 492, 494; 455/550.1,
455/556.2, 186.2, 575.1; D19/28, 43
See application file for complete search history.

(56) **References Cited**

U.S. PATENT DOCUMENTS

D253,701 S * 12/1979 Woods D99/28
D268,062 S * 2/1983 Chance D99/28
D342,944 S 1/1994 Rhodes
D347,213 S * 5/1994 Bianco D21/370
D364,386 S * 11/1995 Bramlett et al. D14/387
5,905,546 A 5/1999 Giulie et al.
D411,753 S 6/1999 Jobin
D445,124 S * 7/2001 Naito D18/3.3
D453,519 S 2/2002 Schmidt

D453,764 S 2/2002 Linyear et al.
D454,421 S * 3/2002 Jeon et al. D99/28
6,356,439 B1 3/2002 Schmidt
D455,889 S 4/2002 Jobin
D457,359 S 5/2002 Chan
D493,176 S 7/2004 O'Connor
D504,147 S * 4/2005 Slinckx D18/4.6
D520,228 S 5/2006 Conforti
D525,410 S 7/2006 Colley
D530,719 S 10/2006 Roubanis
D534,705 S * 1/2007 Kang et al. D99/28
D538,505 S * 3/2007 Kang et al. D99/28
D540,004 S * 4/2007 Kang et al. D99/28
D541,505 S * 4/2007 Kang et al. D99/28
7,304,839 B1 * 12/2007 Burns 361/683
D569,899 S * 5/2008 Dahl D18/4.6
2004/0206645 A1 10/2004 Roubanis

FOREIGN PATENT DOCUMENTS

EM 000867130-0001 * 1/2008

* cited by examiner

Primary Examiner—Jennifer Rivard

Assistant Examiner—Angela J Lee

(74) *Attorney, Agent, or Firm*—Harness, Dickey & Pierce,
P.L.C.

(57) **CLAIM**

The ornamental design for a pin pad terminal, as shown and described.

DESCRIPTION

FIG. 1 is a perspective view of a pin pad terminal (a device for entering personal identification codes), embodying my new design;

FIG. 2 is a rear view thereof;

FIG. 3 is a front view thereof;

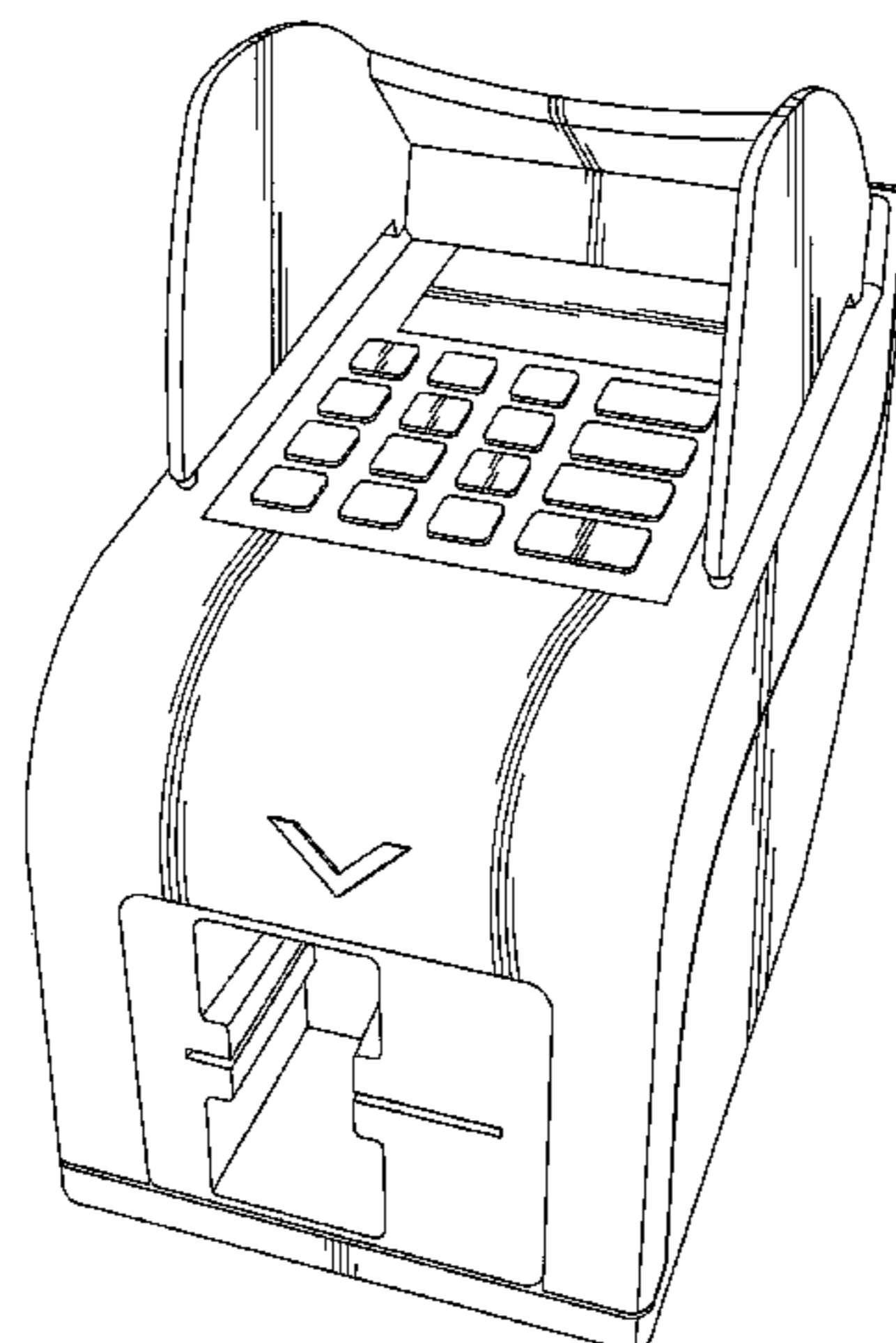
FIG. 4 is a left side view thereof;

FIG. 5 is a right side view thereof; and,

FIG. 6 is a top view thereof.

The bottom does not contain any claimed ornamentation.

1 Claim, 5 Drawing Sheets



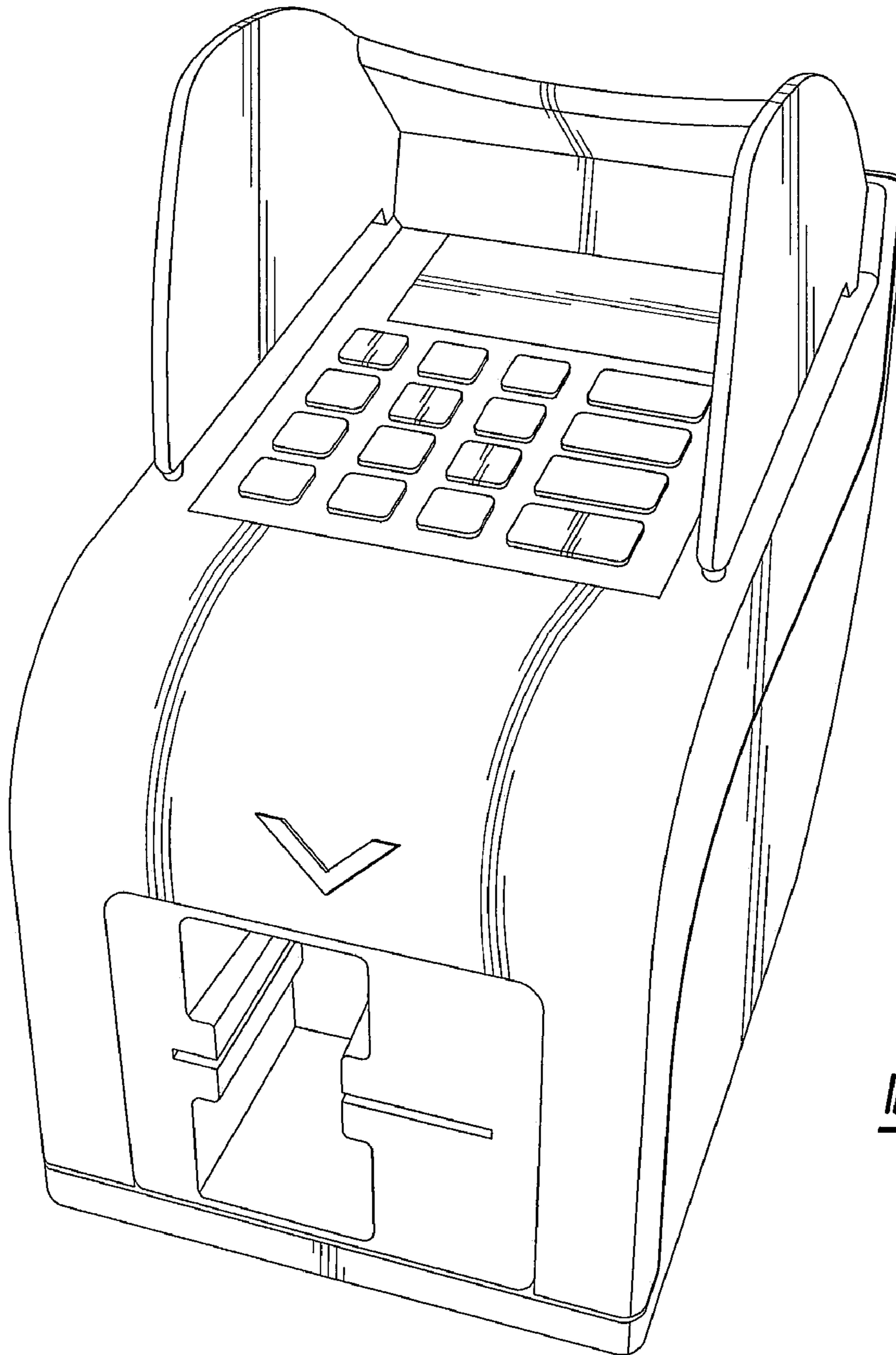


Fig-1

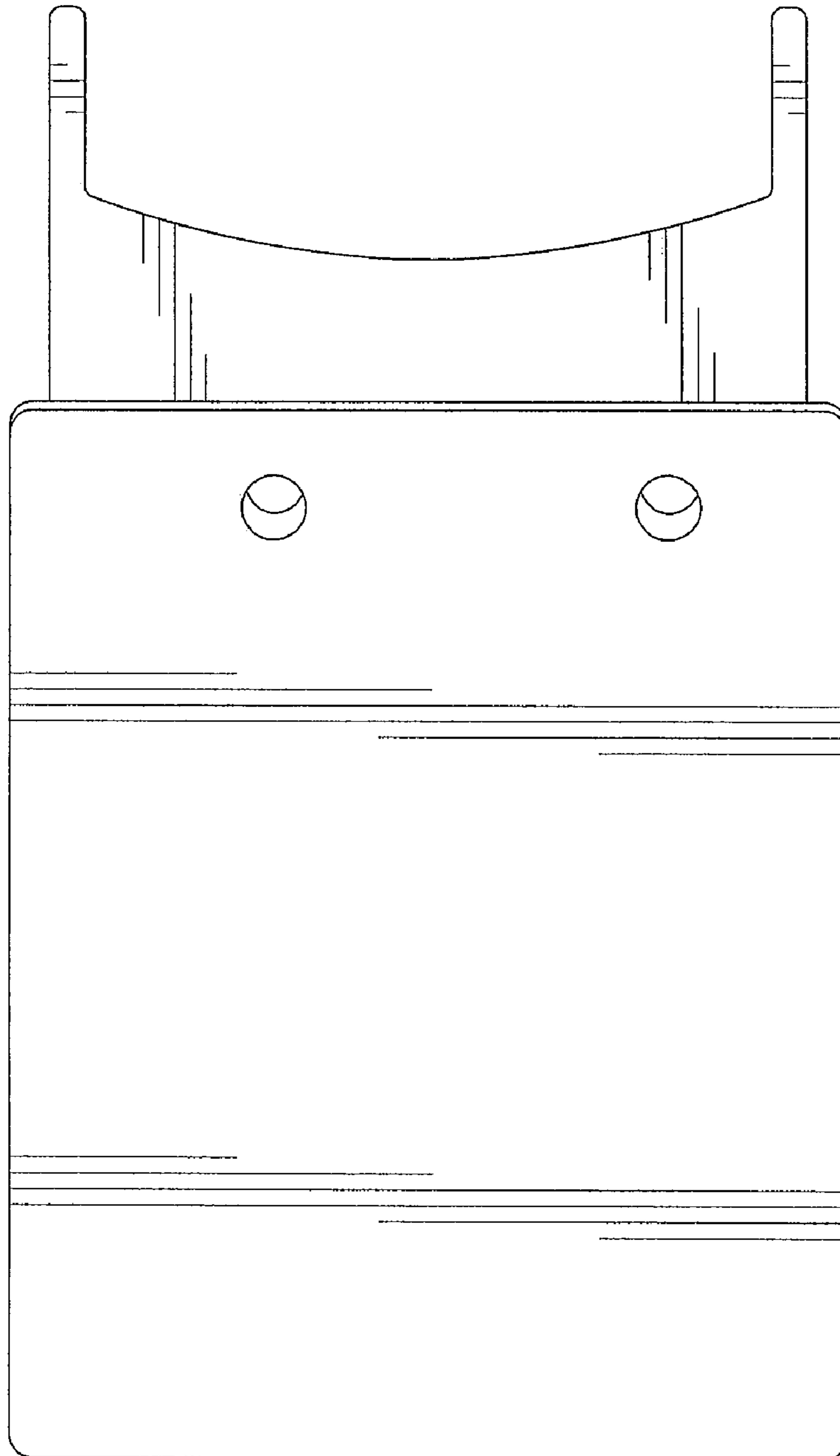


Fig-2

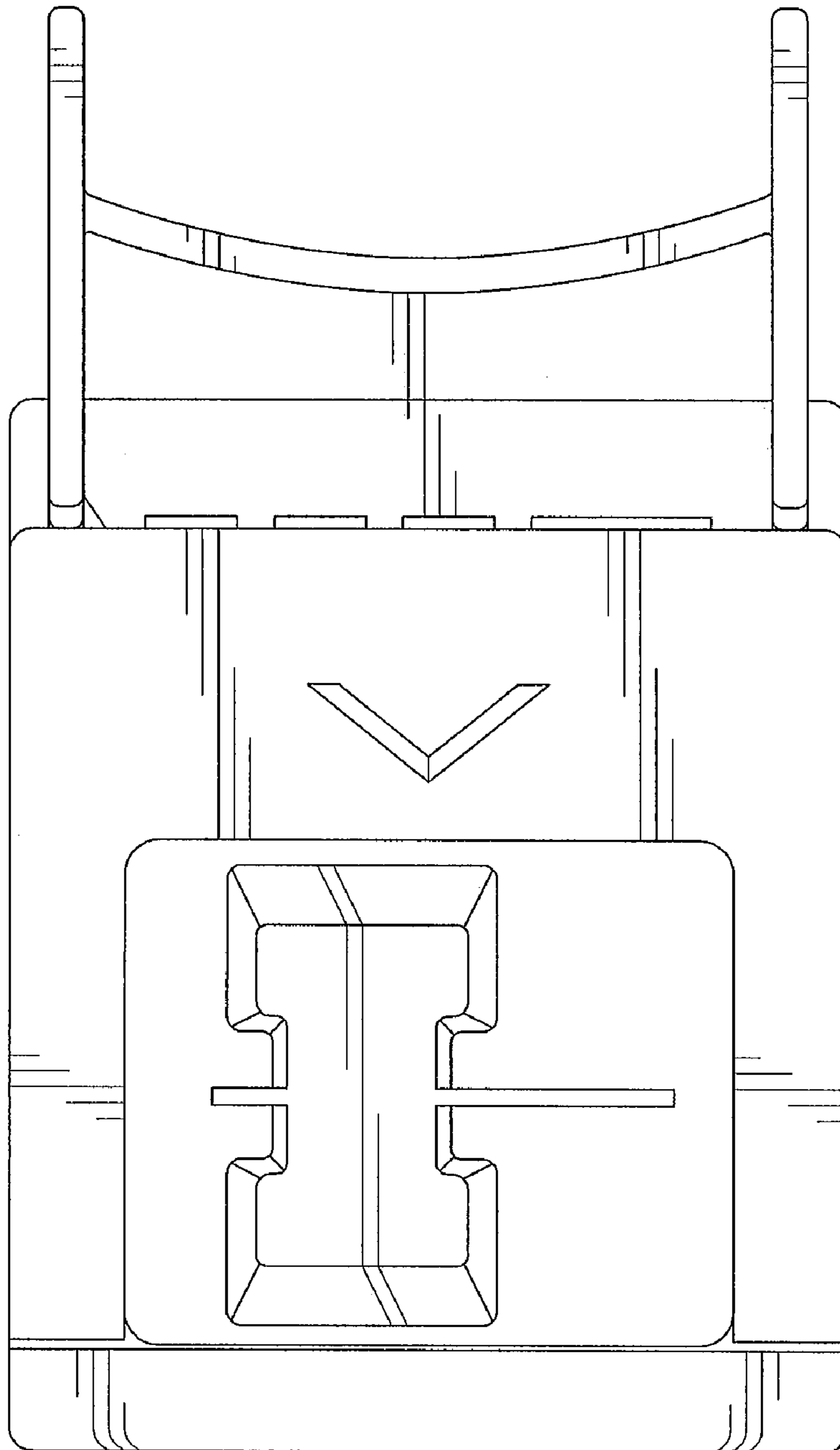


Fig-3

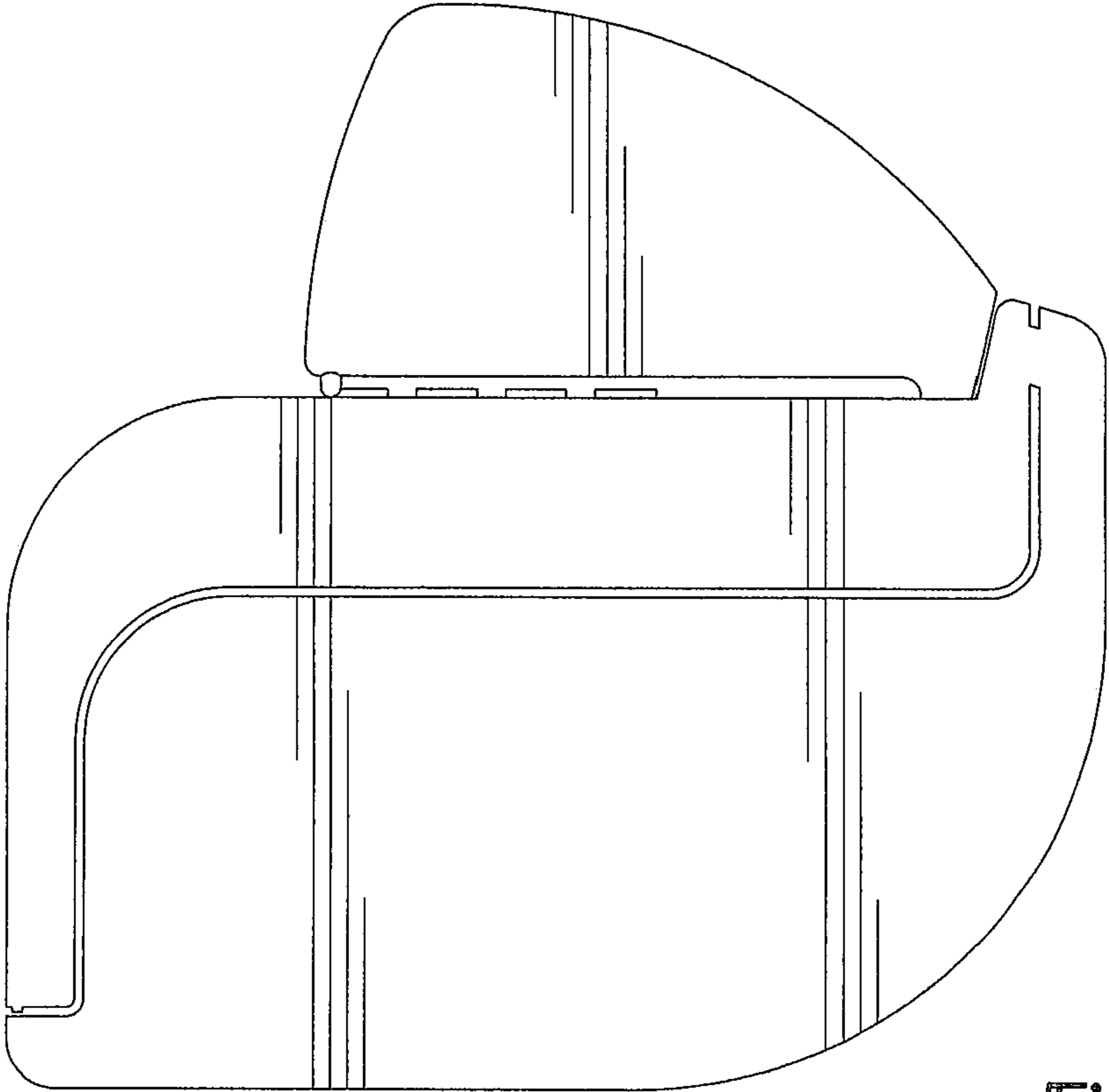


Fig-4

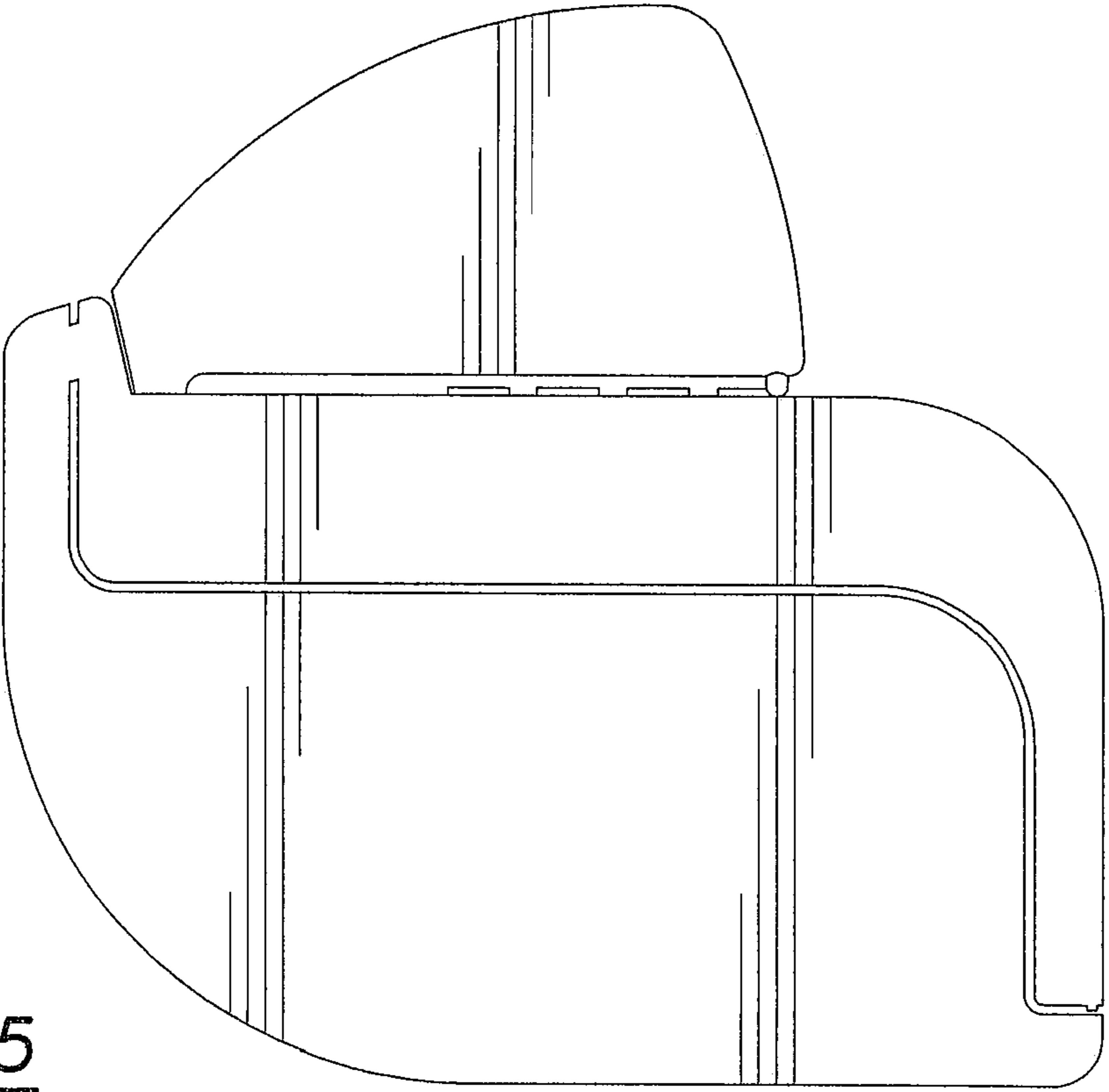


Fig-5

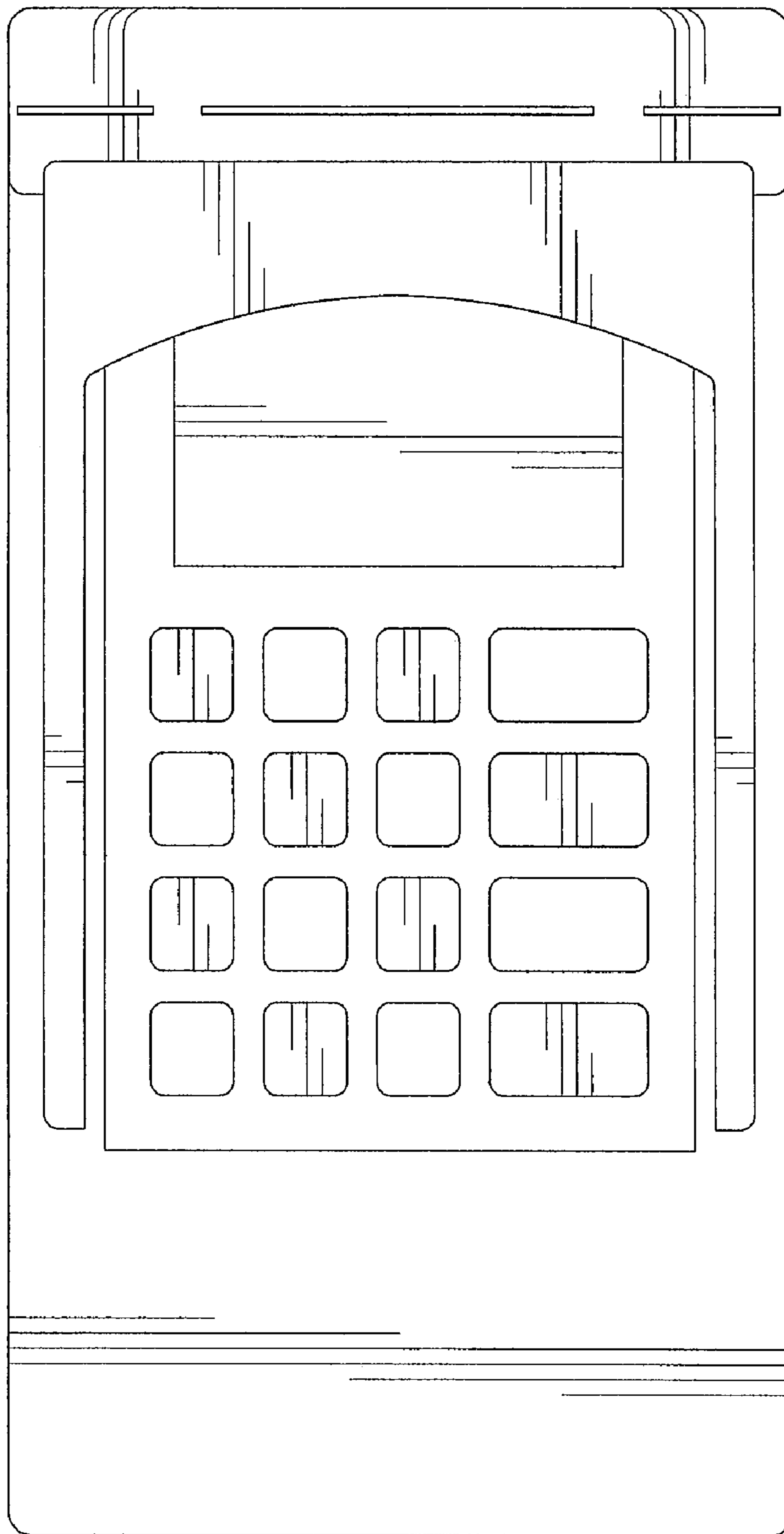


Fig-6