



US00D589047S

(12) **United States Design Patent**
Kawase et al.

(10) **Patent No.:** **US D589,047 S**
(45) **Date of Patent:** **** Mar. 24, 2009**

(54) **ACCESS DEVICE BEZEL FOR COMPUTER**

(75) Inventors: **Atsushi Kawase**, Tokyo (JP); **Daigaku Kumano**, Tokyo (JP)

(73) Assignee: **Sony Corporation**, Tokyo (JP)

(**) Term: **14 Years**

(21) Appl. No.: **29/271,448**

(22) Filed: **Jan. 19, 2007**

(30) **Foreign Application Priority Data**

Sep. 29, 2006 (JP) D2006-026396

(51) **LOC (9) Cl.** **14-02**

(52) **U.S. Cl.** **D14/441**

(58) **Field of Classification Search** D14/441-446,
D14/432, 313, 354; D13/162, 184, 199;
211/26; 361/679-686, 690-696, 818; 369/34.01,
369/36.01; 312/223.1-223.3; 340/635; D10/106
See application file for complete search history.

(56) **References Cited**

U.S. PATENT DOCUMENTS

D325,194 S * 4/1992 Kline et al. D14/354
D390,220 S 2/1998 Matsuoka
D427,987 S 7/2000 Tanaka et al.

D428,892 S * 8/2000 Haimson D14/441
D441,375 S 5/2001 Hisatsune et al.
D504,437 S * 4/2005 Wood et al. D14/444
D505,930 S 6/2005 Oikawa

* cited by examiner

Primary Examiner—Freda S Nunn

(74) *Attorney, Agent, or Firm*—Rader, Fishman & Grauer, PLLC

(57) **CLAIM**

The ornamental design for an access device bezel for computer, as shown and described.

DESCRIPTION

FIG. 1 is a perspective view of an access device bezel for computer showing our new design.

FIG. 2 is a front elevational view thereof;

FIG. 3 is a left side elevational view thereof;

FIG. 4 is a right side elevational view thereof;

FIG. 5 is a top plan view thereof; and,

FIG. 6 is a bottom plan view thereof.

Broken lines shown in the drawings illustrate portions of the housing, and form no part of the claimed design.

1 Claim, 6 Drawing Sheets

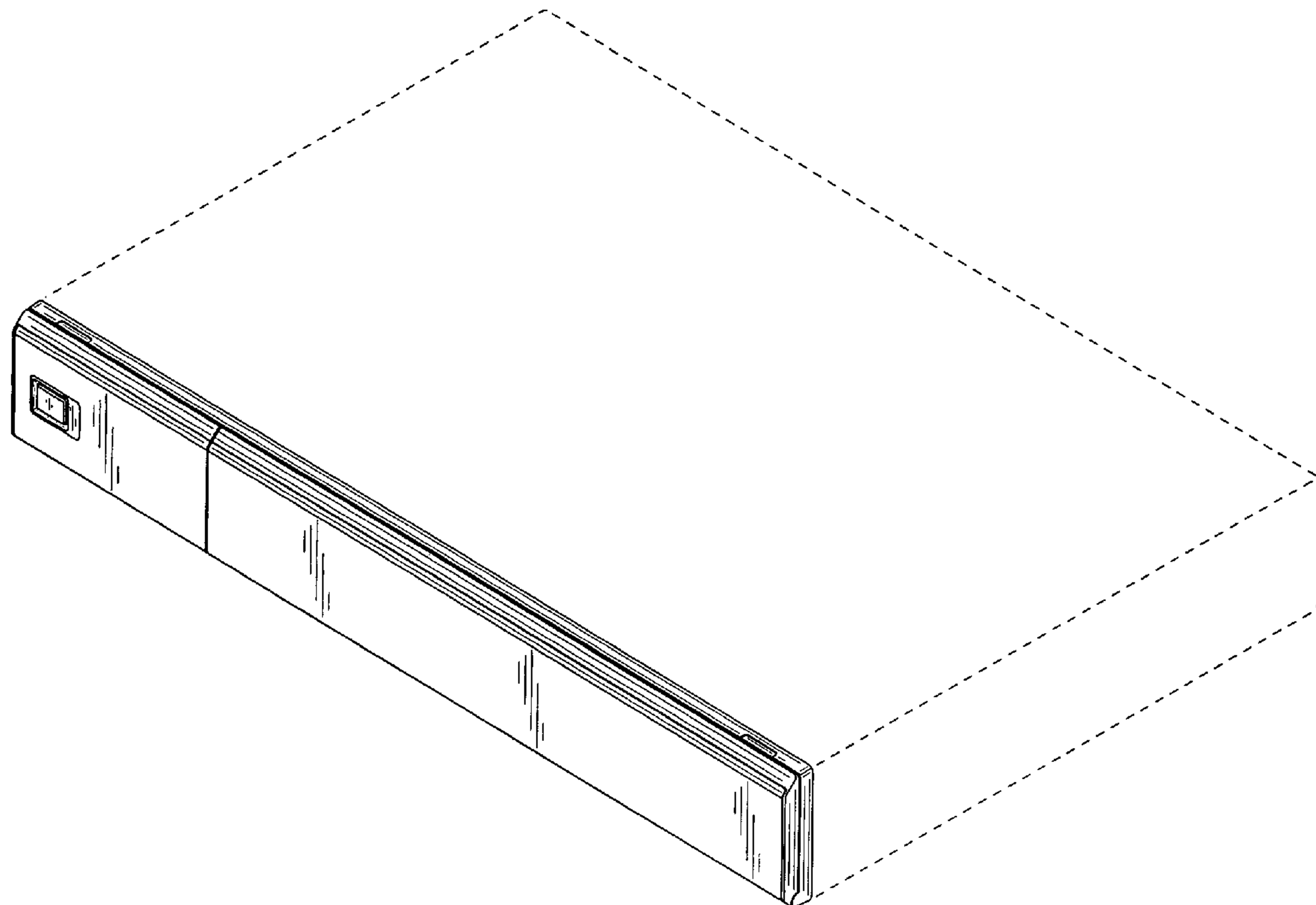


Fig. 1

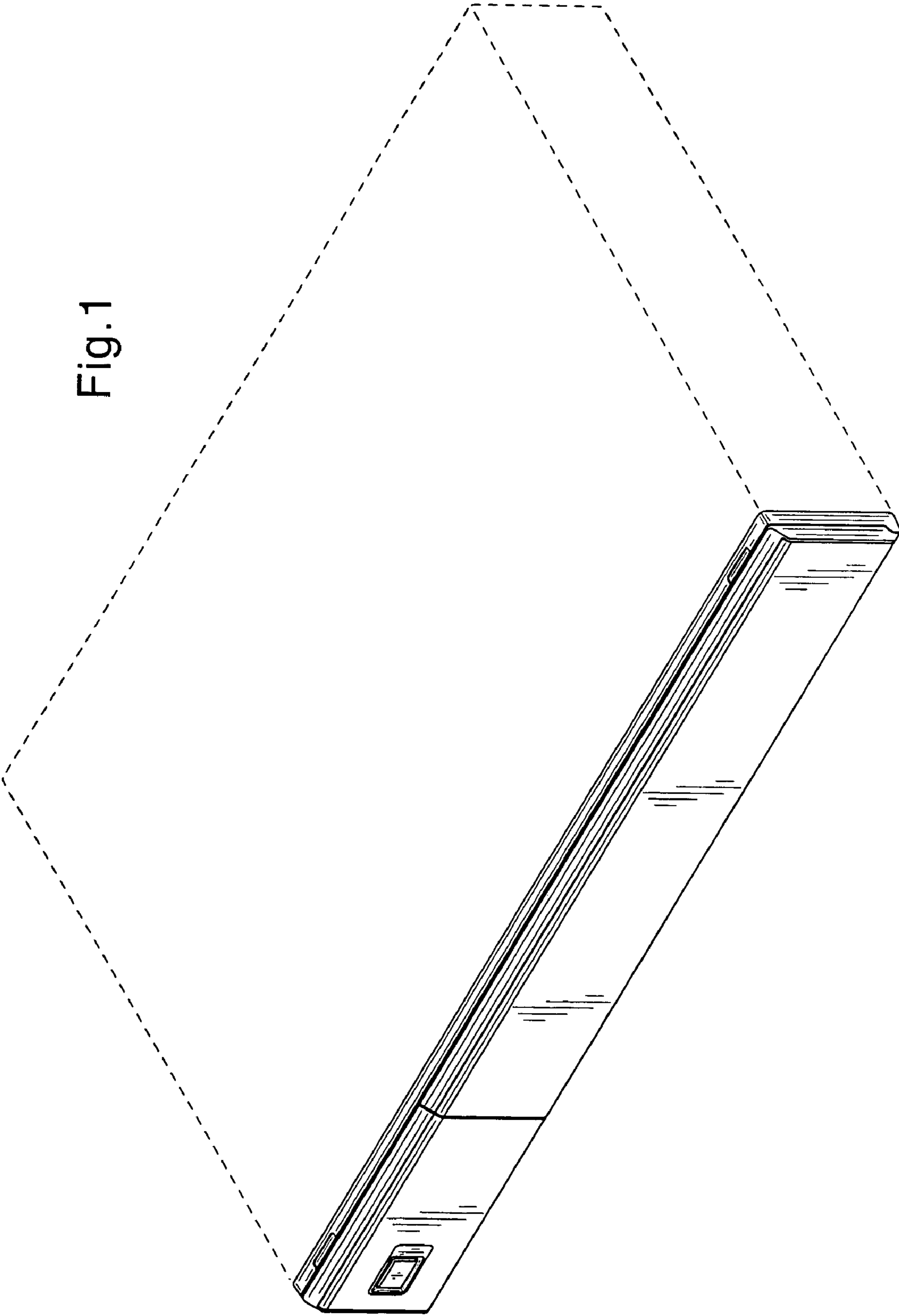


Fig.2

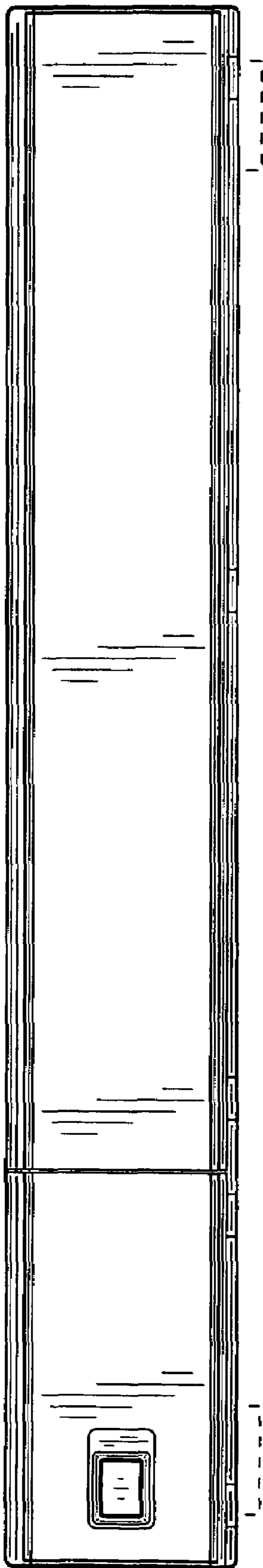


Fig. 3

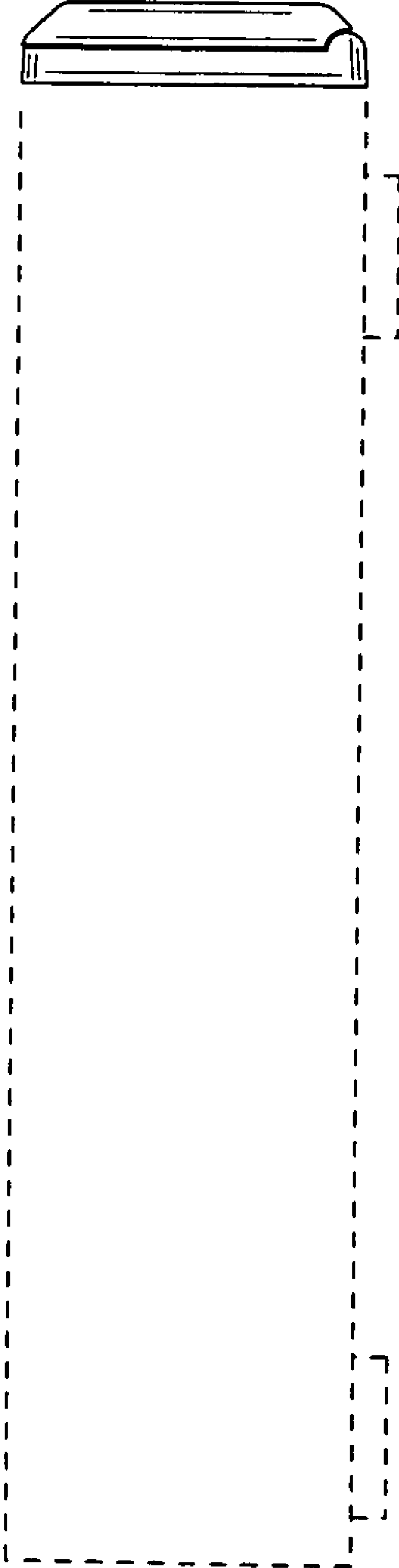


Fig. 4

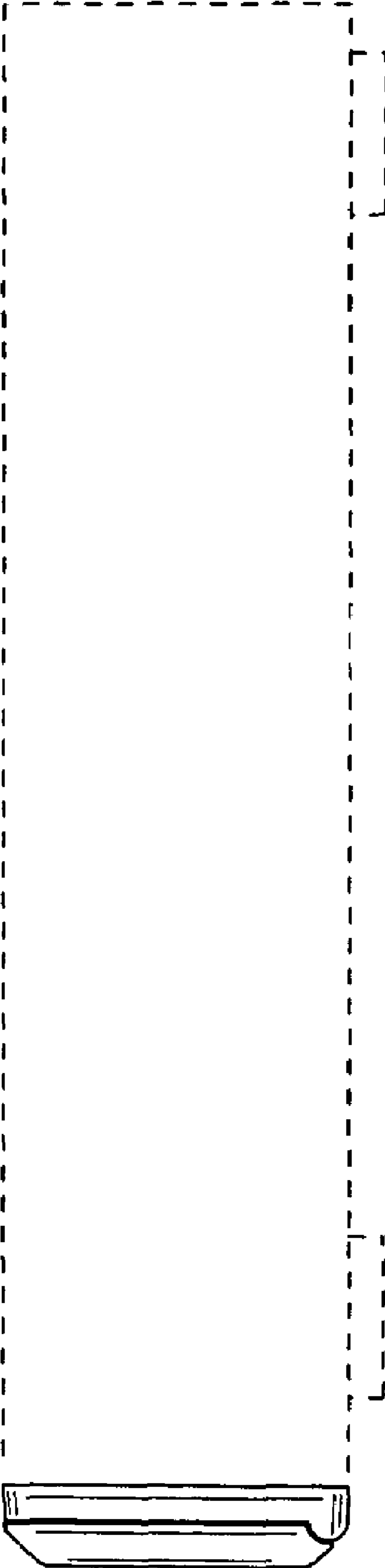


Fig.5

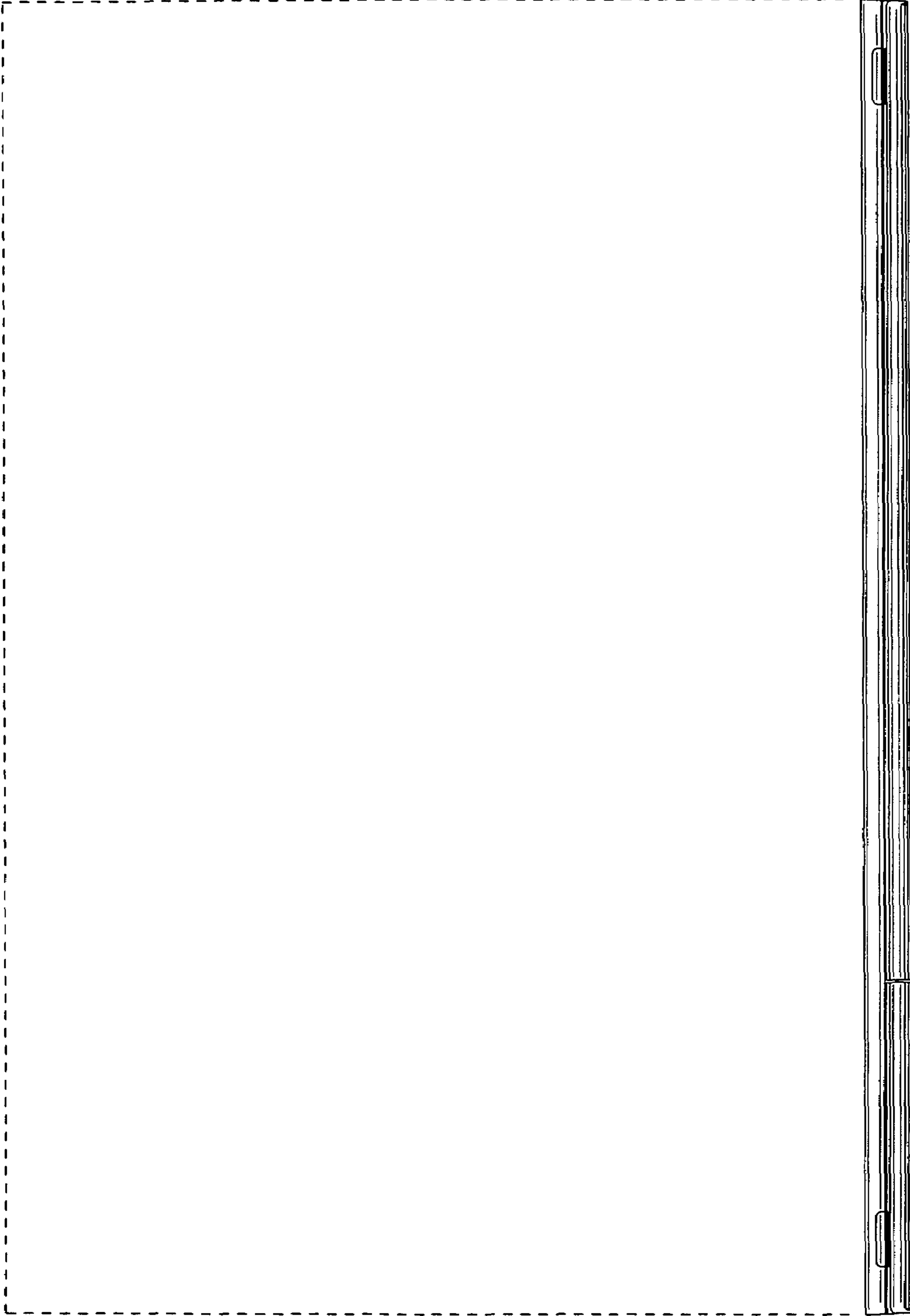


Fig.6

