



US00D589046S

(12) **United States Design Patent**  
**Pascucci**

(10) **Patent No.:** **US D589,046 S**  
(45) **Date of Patent:** **\*\* Mar. 24, 2009**

(54) **ELECTRONIC HAND CONTROLLED  
COMPUTER INPUT DEVICE**

D434,038 S \* 11/2000 Ho ..... D14/408  
D464,052 S \* 10/2002 Fletcher ..... D14/408  
D477,603 S \* 7/2003 Chen ..... D14/433  
D479,823 S \* 9/2003 Andre et al. .... D13/110

(75) Inventor: **Antonio Pascucci**, Seefeld (DE)

**FOREIGN PATENT DOCUMENTS**

(73) Assignee: **3Dconnexion Holding SA**,  
Romanel-sur-Morges (CH)

JP 1339842 8/2008

(\*\*) Term: **14 Years**

**OTHER PUBLICATIONS**

(21) Appl. No.: **29/317,738**

Pascucci, Antonio; Unpublished U.S. Appl. No. 29/279,871, filed May 9, 2007.

(22) Filed: **May 6, 2008**

Japanese Patent Office; Office action of Sep. 9, 2008 in application No. 2008-011459.

**Related U.S. Application Data**

(63) Continuation of application No. 29/279,871, filed on May 9, 2007.

\* cited by examiner

*Primary Examiner*—Pamela J Burgess

(30) **Foreign Application Priority Data**

Nov. 10, 2006 (EM) ..... 000619390  
Nov. 7, 2007 (EM) ..... 000822549

(74) *Attorney, Agent, or Firm*—Peter J. Mikesell; Hiscock & Barclay, LLP

(51) **LOC (9) Cl.** ..... **14-02**

(52) **U.S. Cl.** ..... **D14/408**

(58) **Field of Classification Search** ..... D14/402–410,  
D14/432–433, 439, 417; D13/110, 103,  
D13/118, 146; 235/472.01, 156–167; 365/49;  
463/36–38; 200/5 A, 5 R, 6 A, 6 R; 273/148 B  
See application file for complete search history.

(57) **CLAIM**

The ornamental design for an electronic hand controlled computer input device, as shown.

(56) **References Cited**

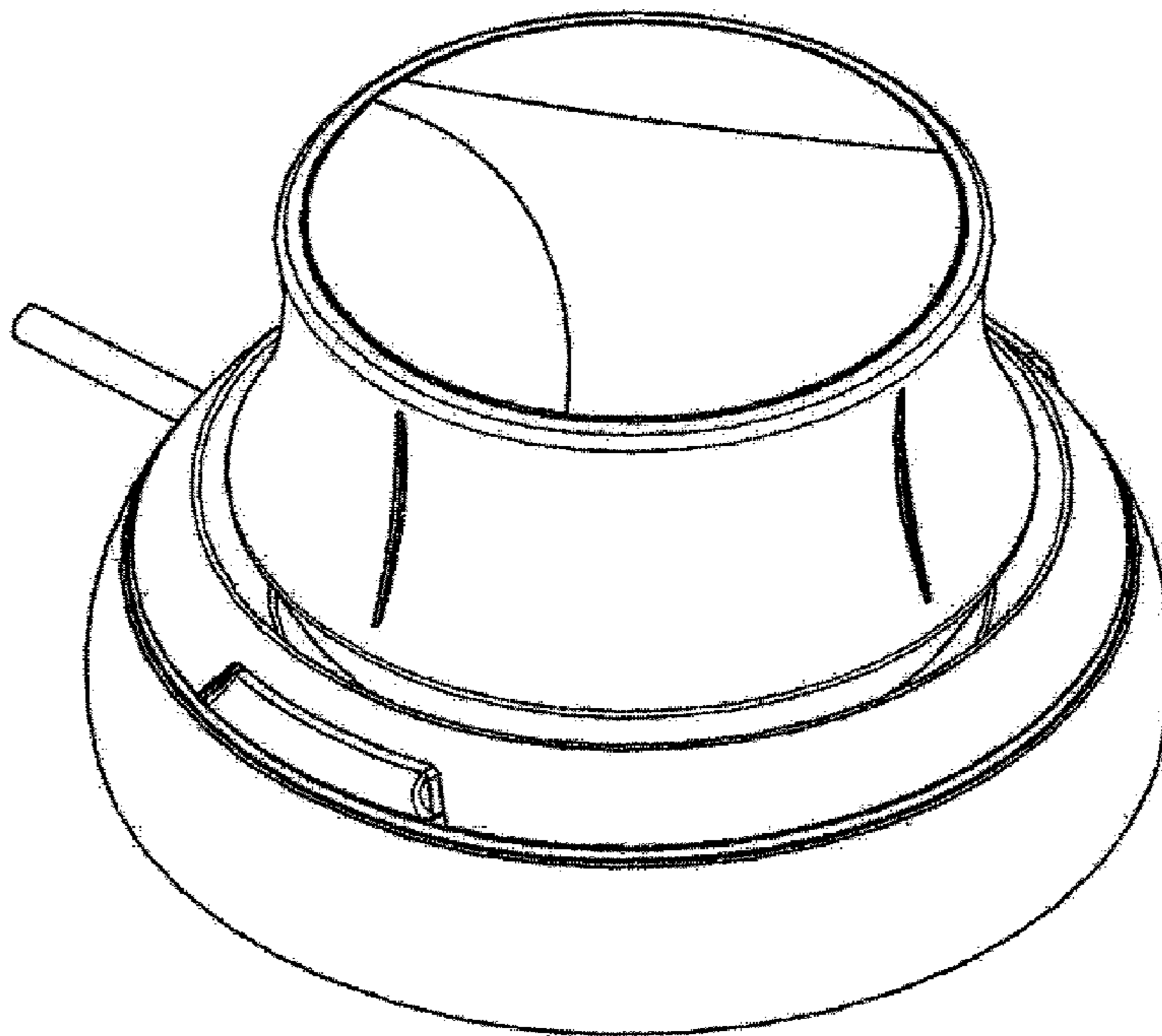
**U.S. PATENT DOCUMENTS**

D381,013 S \* 7/1997 Allana et al. .... D14/408  
D433,994 S \* 11/2000 Jobs et al. .... D13/110

**DESCRIPTION**

FIG. 1 is a perspective view of an embodiment of the design;  
FIG. 2 is a back view thereof;  
FIG. 3 is a front view thereof;  
FIG. 4 is a first side view thereof;  
FIG. 5 is a second side view thereof;  
FIG. 6 is a bottom view thereof; and,  
FIG. 7 is a top view thereof.

**1 Claim, 7 Drawing Sheets**



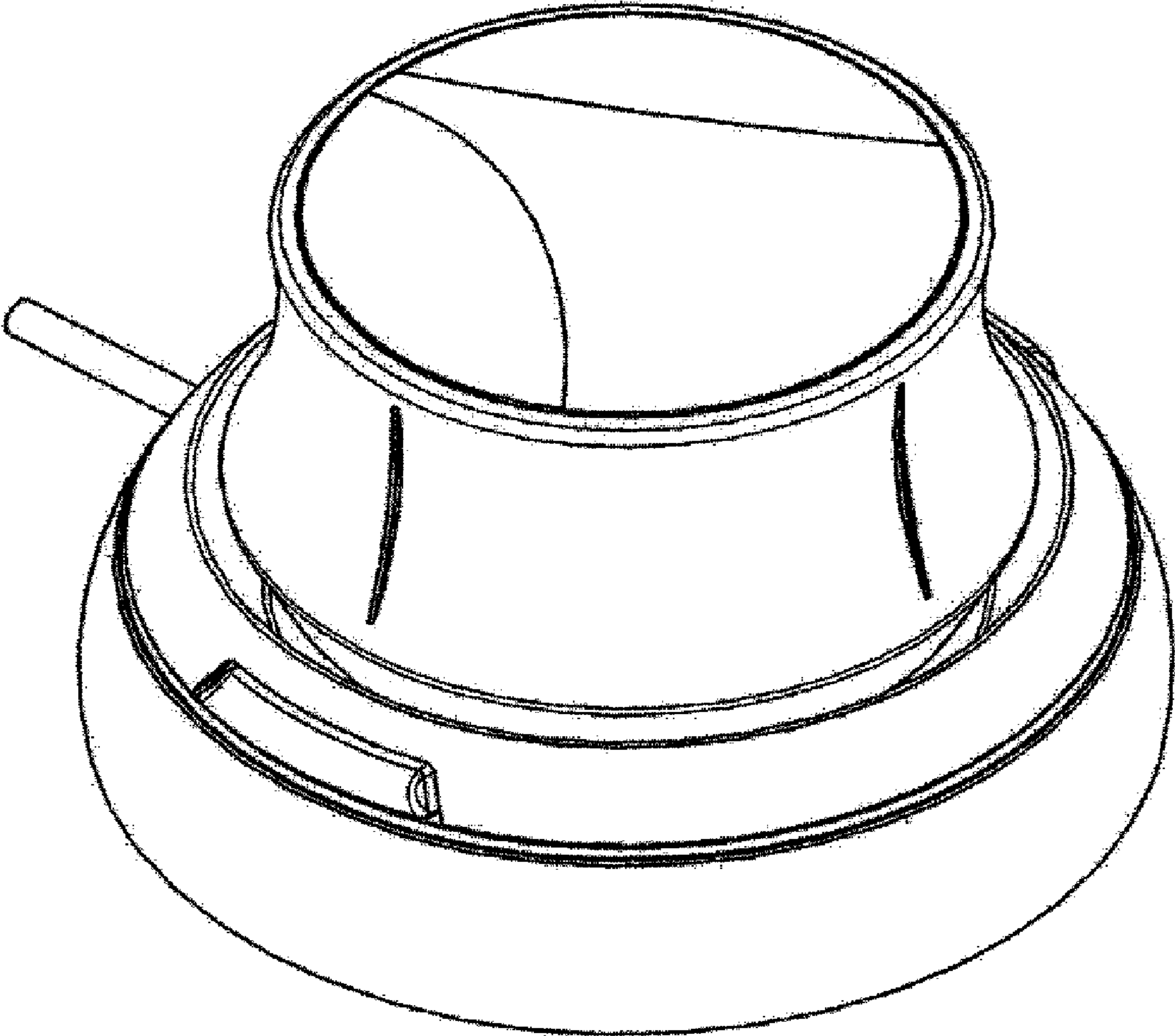


FIG. 1

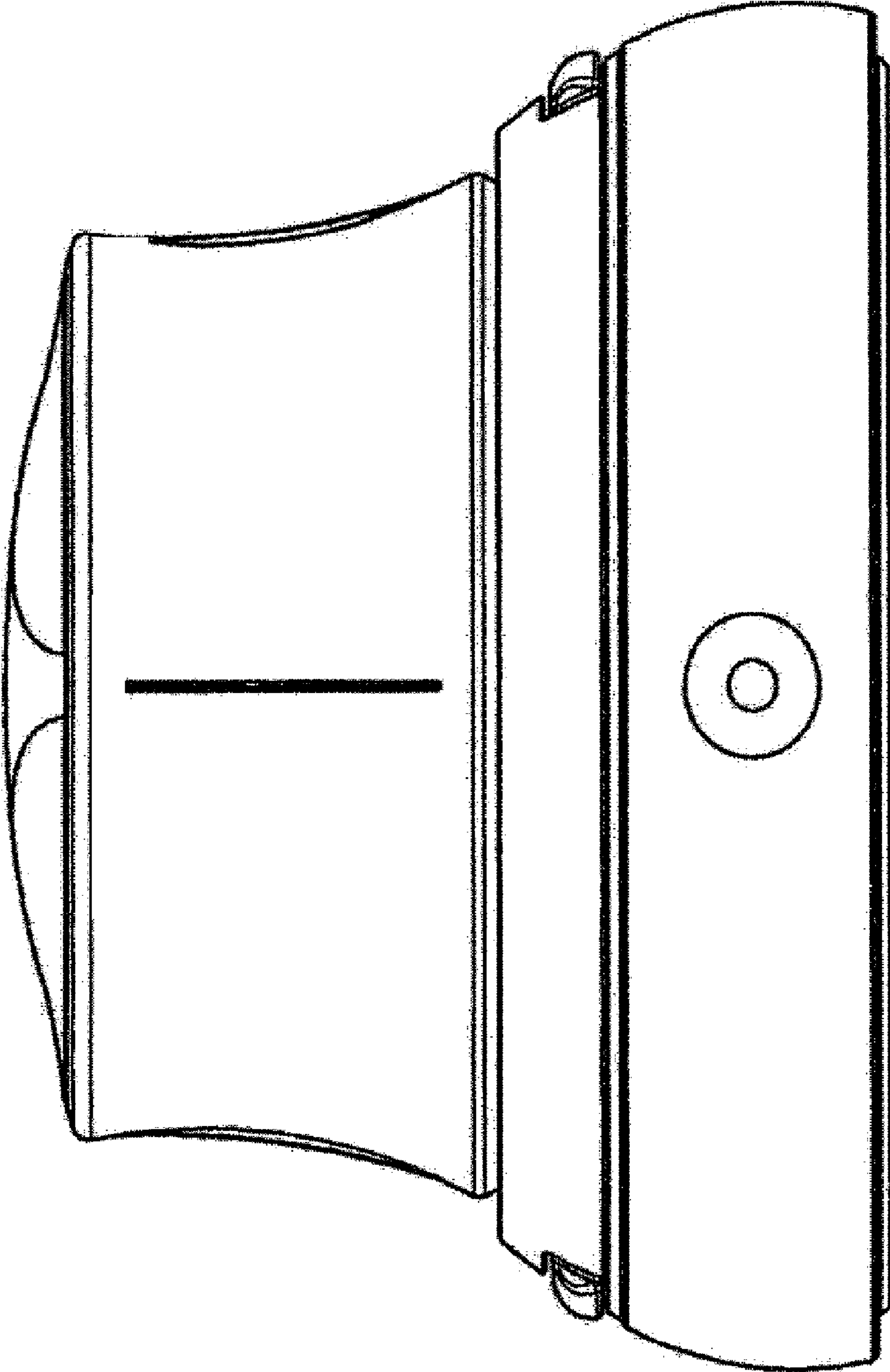


FIG. 2

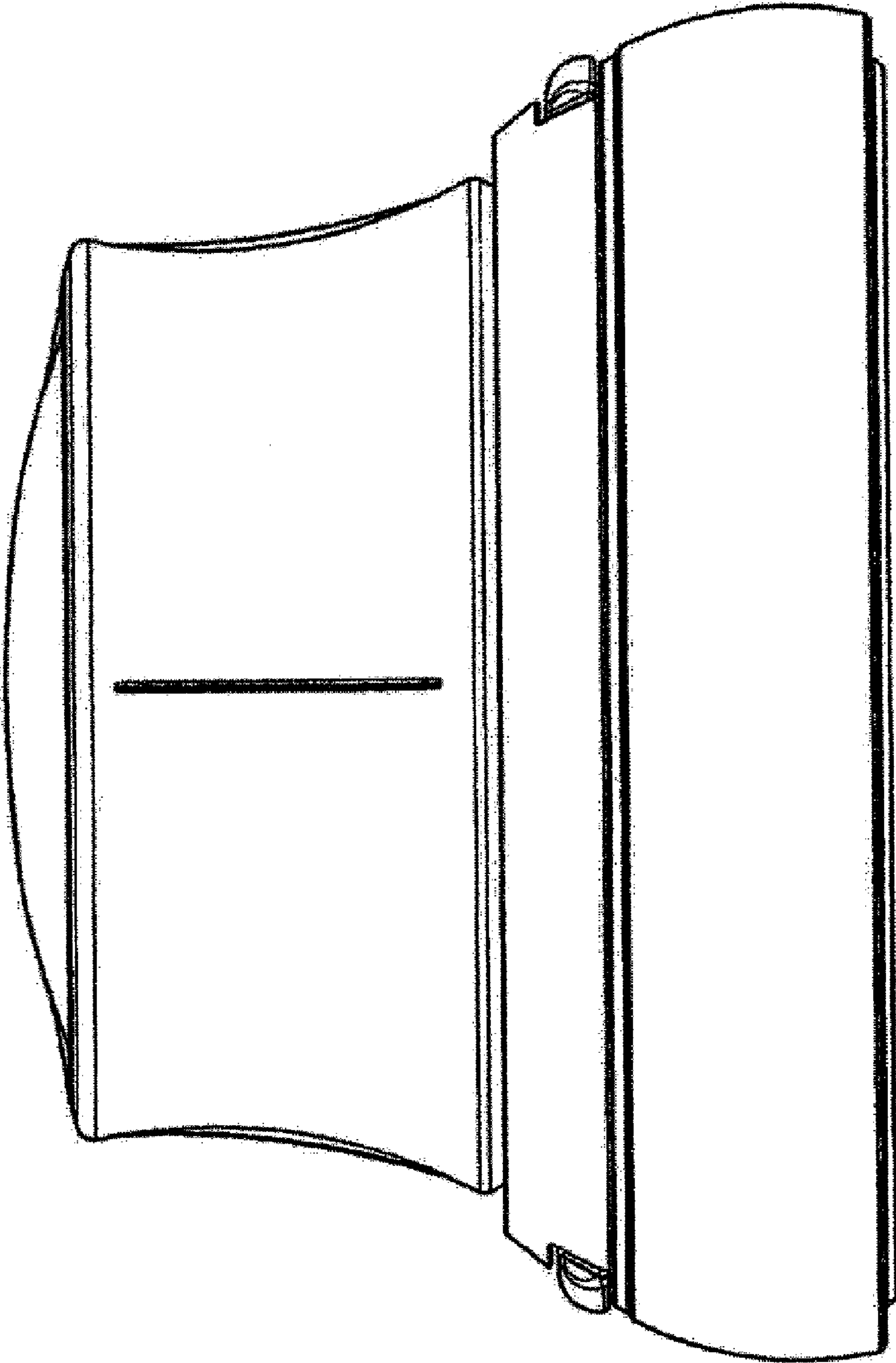


FIG. 3

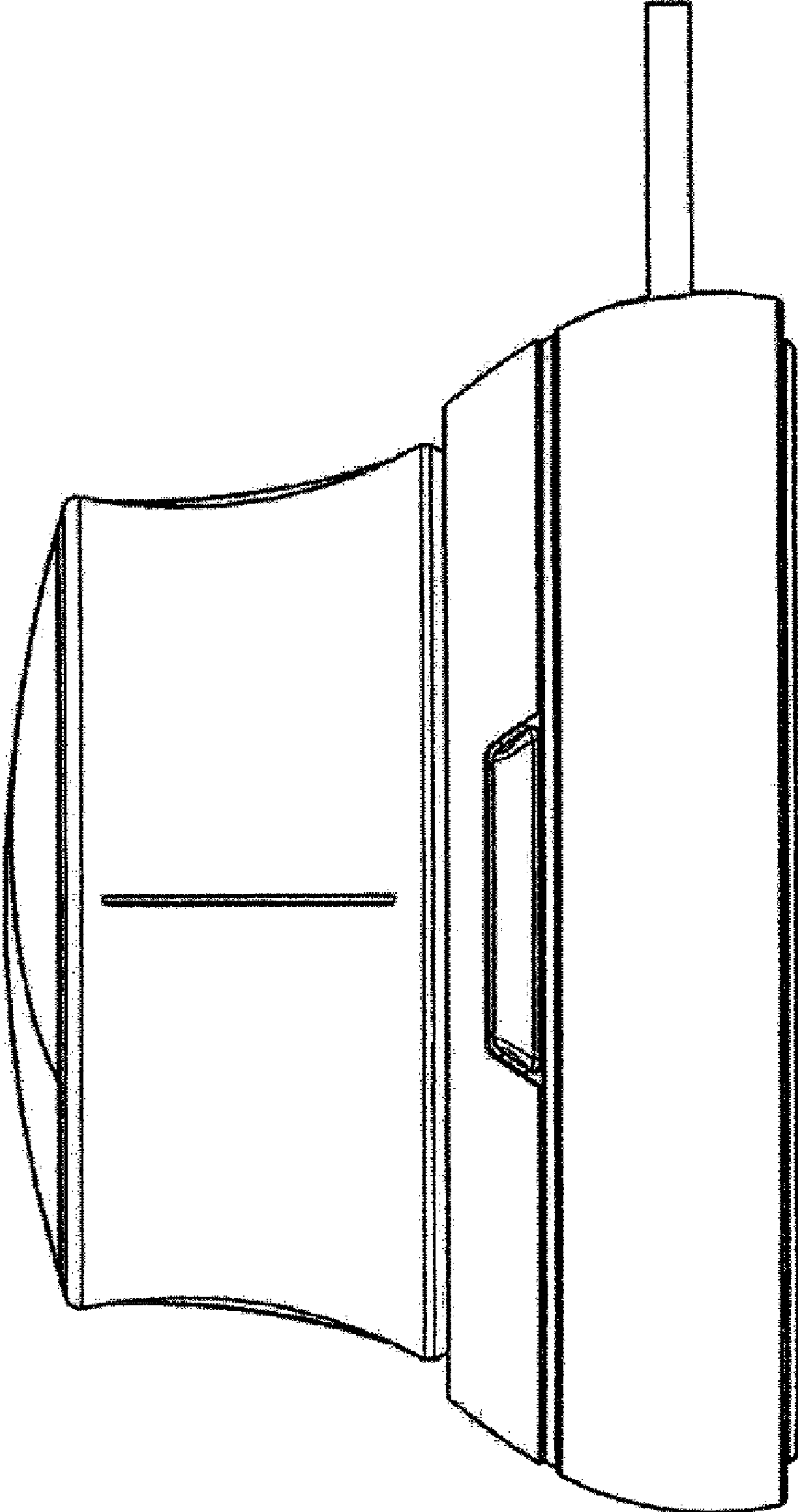


FIG. 4

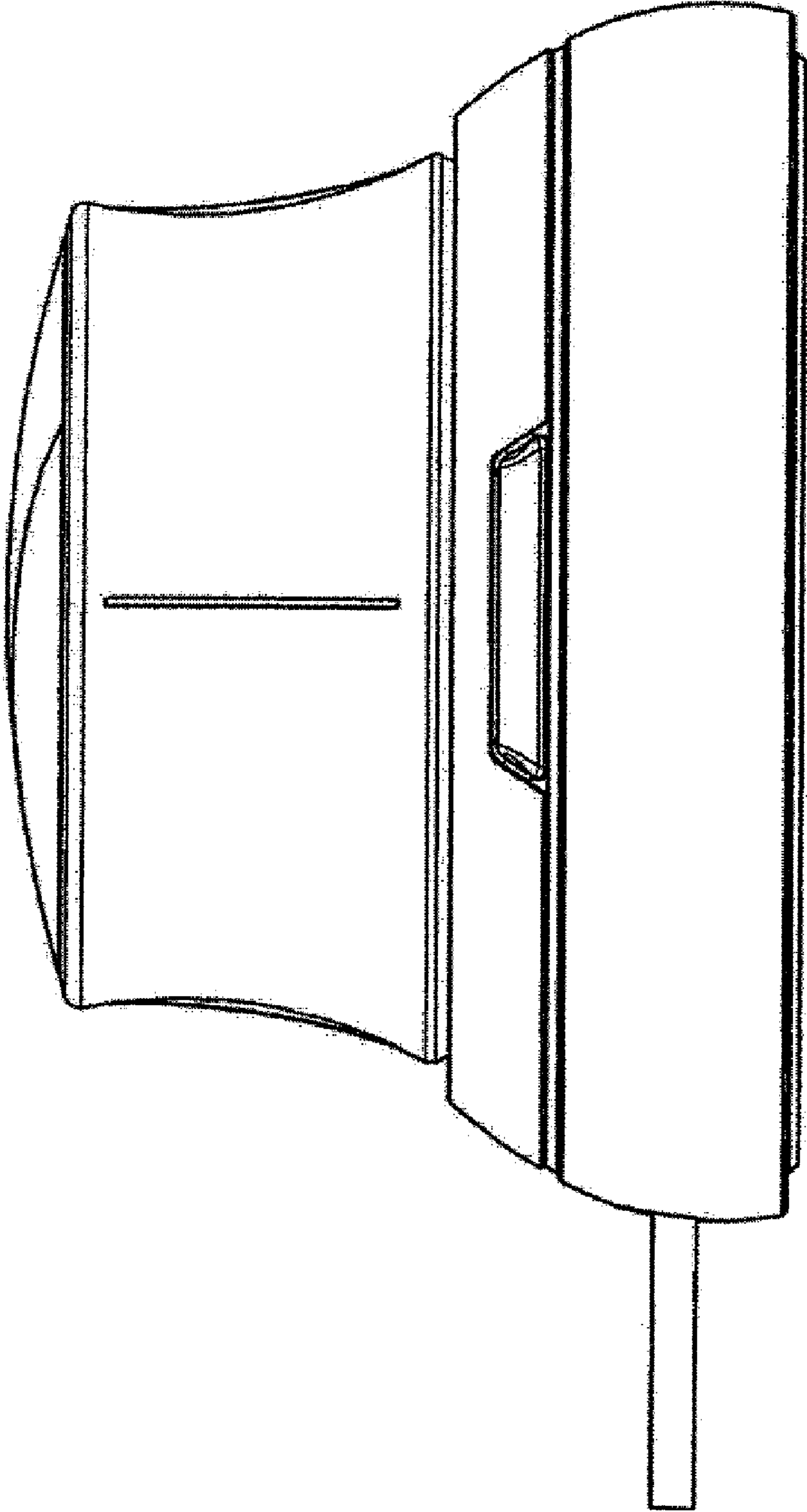


FIG. 5

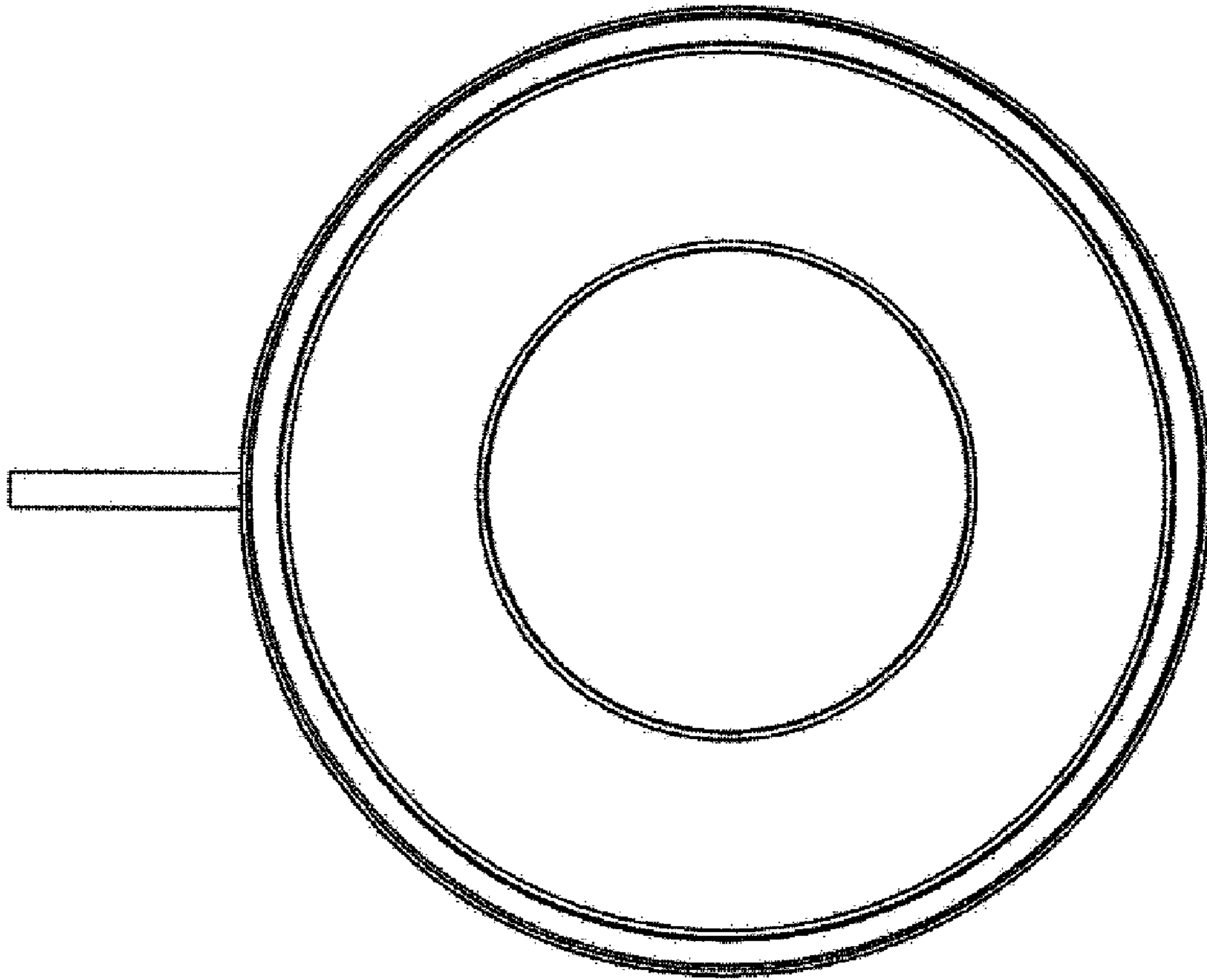


FIG. 6

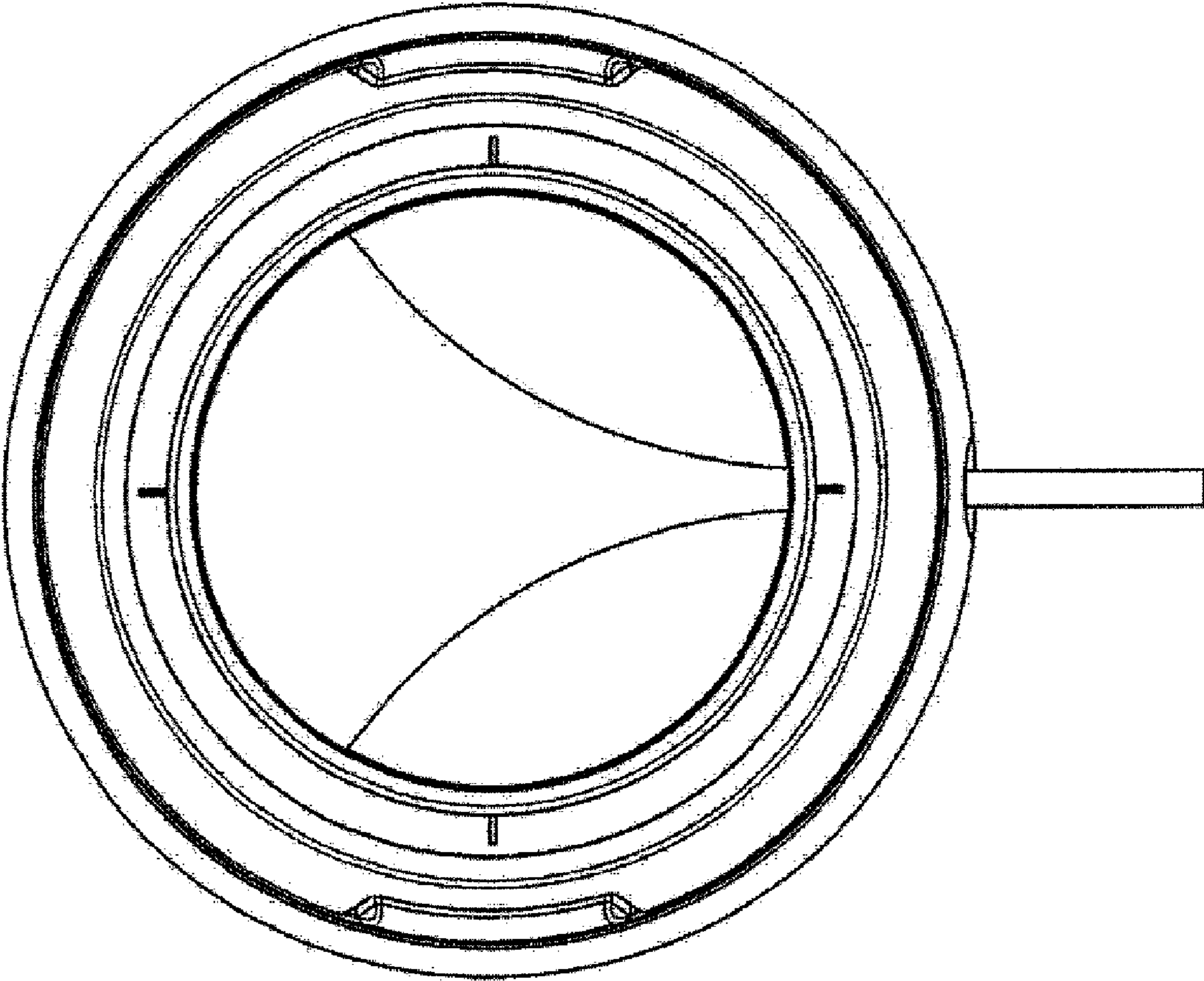


FIG. 7