



US00D589045S

(12) **United States Design Patent**
Lee et al.

(10) **Patent No.:** **US D589,045 S**
(45) **Date of Patent:** **** Mar. 24, 2009**

(54) **WIRELESS RECEIVER**

(75) Inventors: **Sung-Ho Lee**, Seoul (KR); **Chol-Ho Hwang**, Kyunggi-do (KR)

(73) Assignee: **Samsung Electronics Co., Ltd.**, Suwon, Kyunggi-Do (KR)

(**) Term: **14 Years**

(21) Appl. No.: **29/310,097**

(22) Filed: **Jul. 25, 2008**

(51) **LOC (9) Cl.** **14-02**

(52) **U.S. Cl.** **D14/358**

(58) **Field of Classification Search** D13/184;
D14/356-358, 432; 361/600, 601, 622, 641,
361/679, 683, 686, 814; 439/248
See application file for complete search history.

(56) **References Cited**

U.S. PATENT DOCUMENTS

D515,554 S	2/2006	Kwon et al.	
D520,999 S	5/2006	Woo et al.	
D521,001 S *	5/2006	Xiao et al.	D14/356
D530,325 S *	10/2006	Kerila et al.	D14/356
D535,651 S *	1/2007	Wong et al.	D14/357
D540,793 S *	4/2007	Kim et al.	D14/358

D573,144 S *	7/2008	Lin	D14/358
D577,721 S *	9/2008	O'Neil	D14/358
D580,422 S *	11/2008	Lee	D14/358
D583,367 S *	12/2008	Chen	D14/358

* cited by examiner

Primary Examiner—Brian N Vinson

(74) *Attorney, Agent, or Firm*—Flynn, Thiel, Boutell & Tanis, P.C.

(57) **CLAIM**

The ornamental design for a wireless receiver, as shown and described.

DESCRIPTION

FIG. 1 is a top front perspective view of a wireless receiver showing our new design;

FIG. 2 is a front elevational view thereof;

FIG. 3 is a rear elevational view thereof;

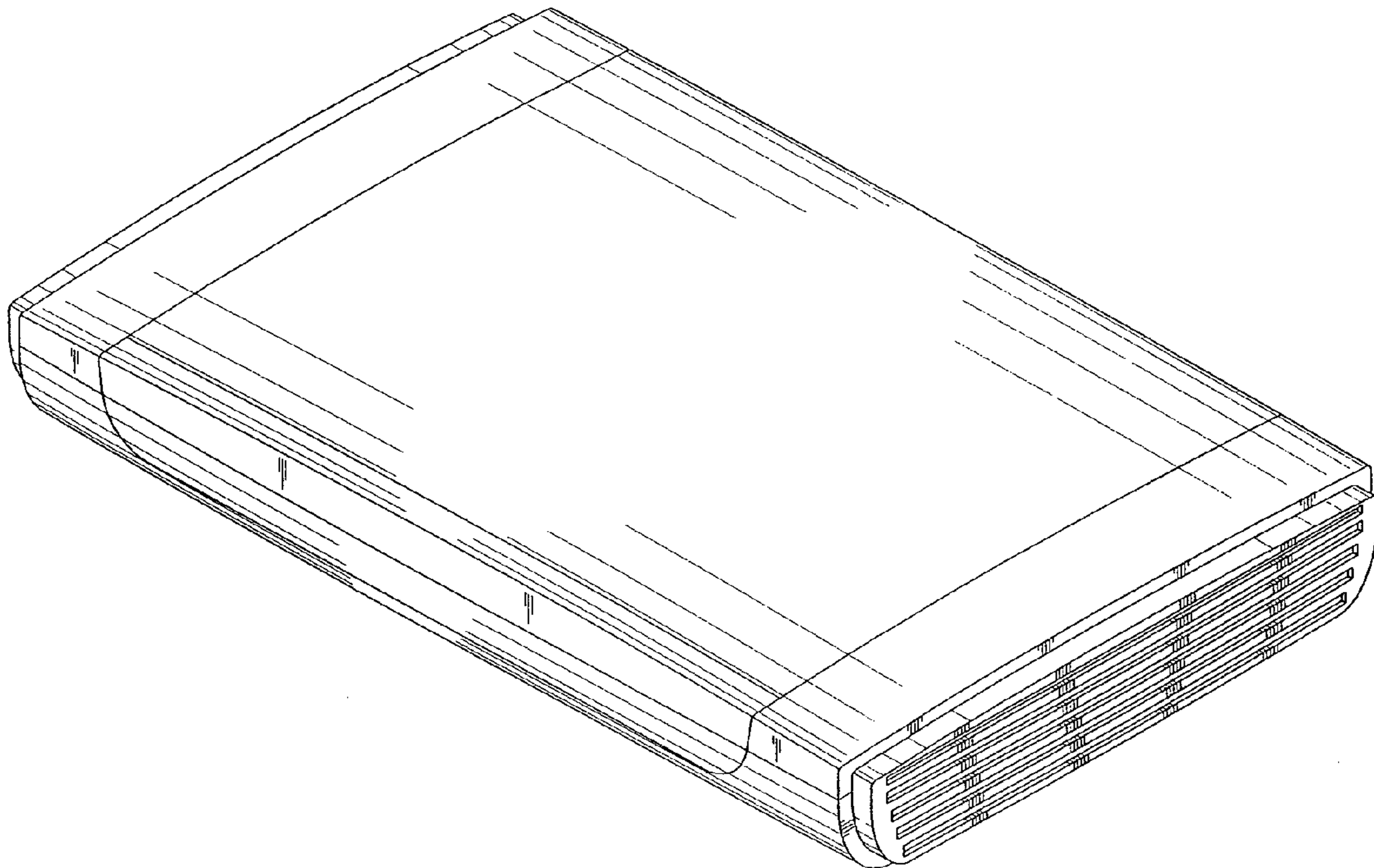
FIG. 4 is a left side elevational view thereof;

FIG. 5 is a right side elevational view thereof;

FIG. 6 is a top plan view thereof; and,

FIG. 7 is a bottom plan view thereof.

1 Claim, 5 Drawing Sheets



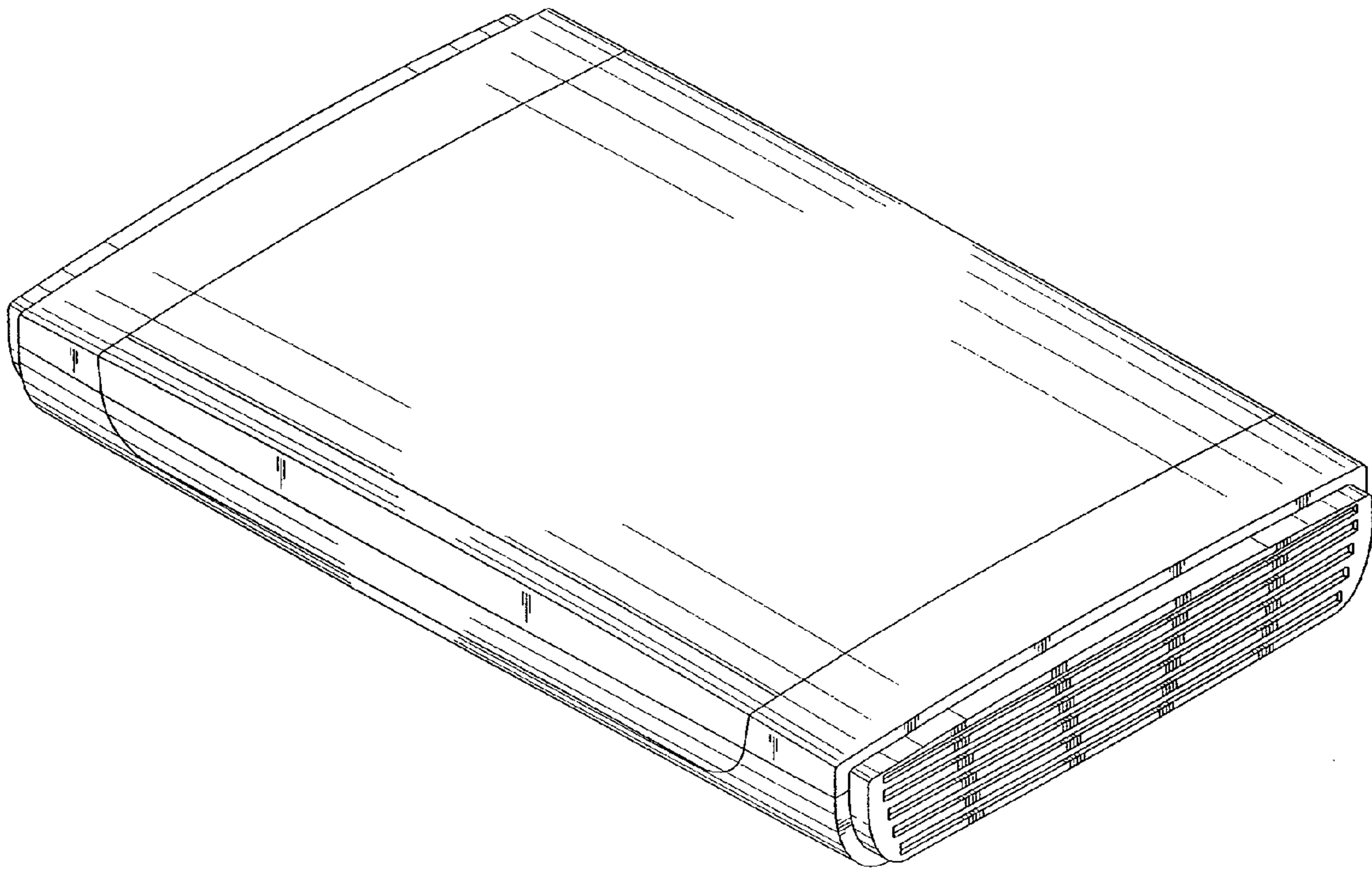


FIG.1

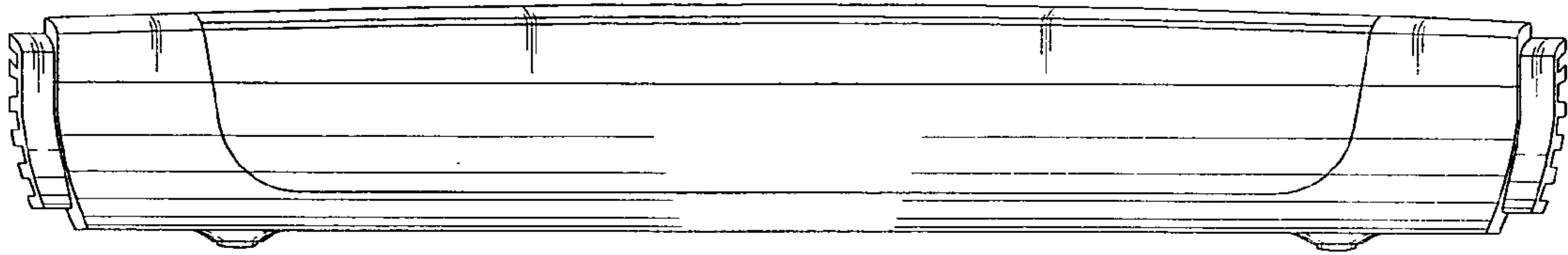


FIG.2

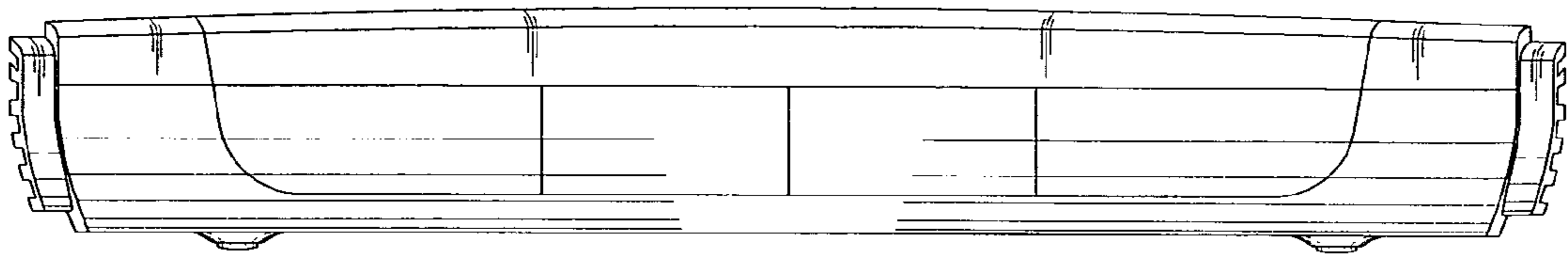


FIG.3

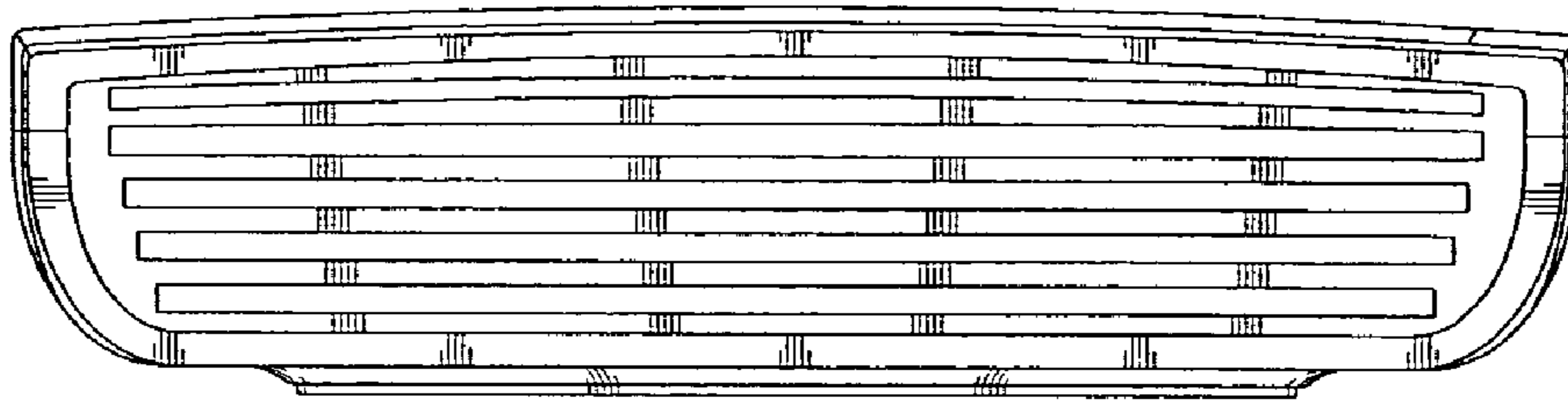


FIG. 4

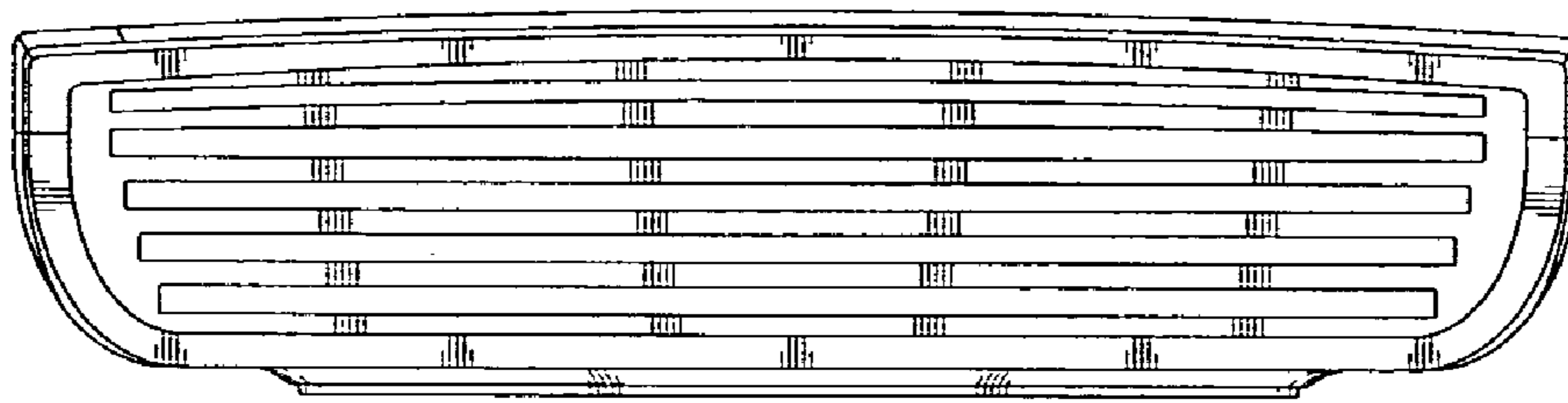


FIG. 5

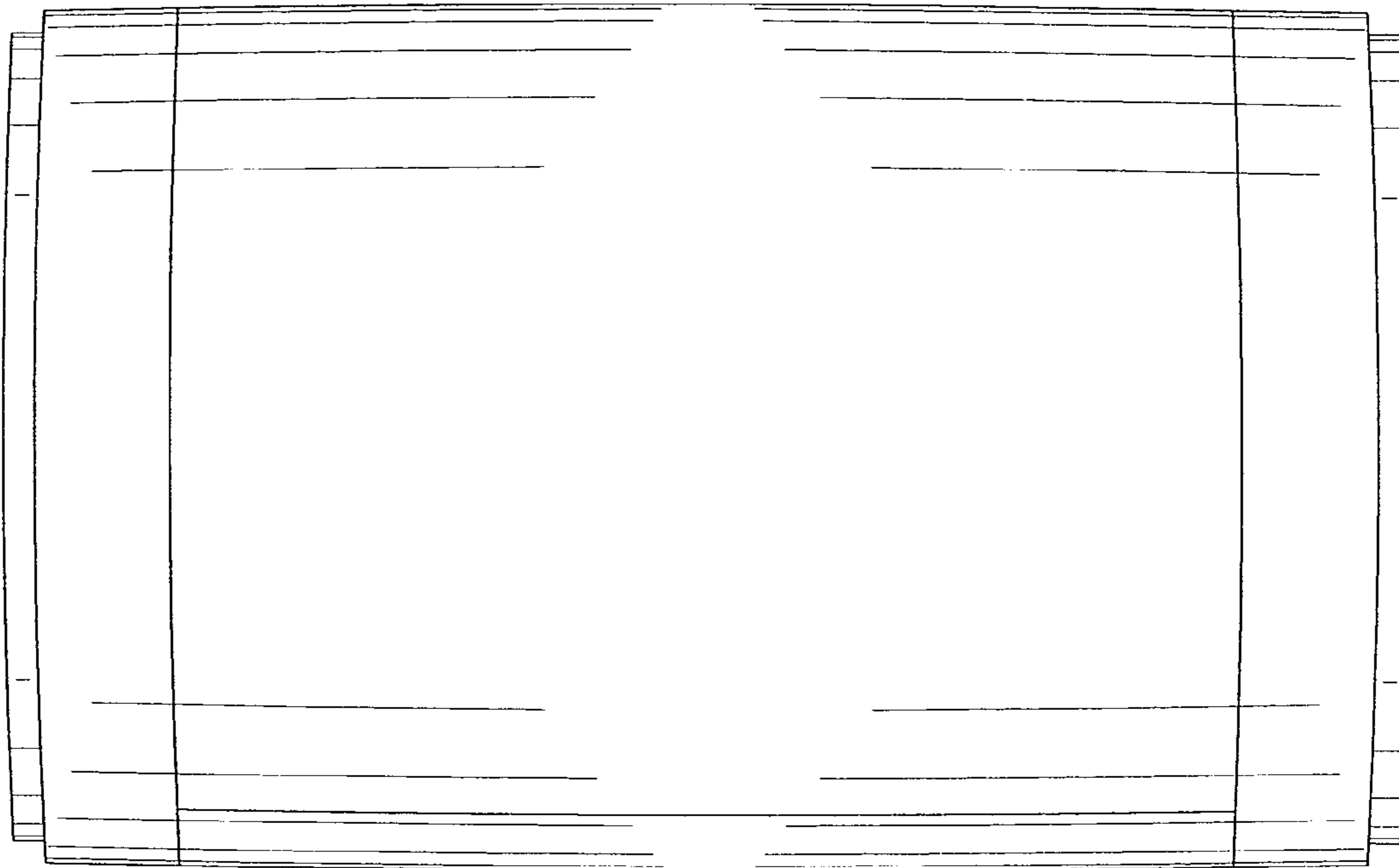


FIG.6

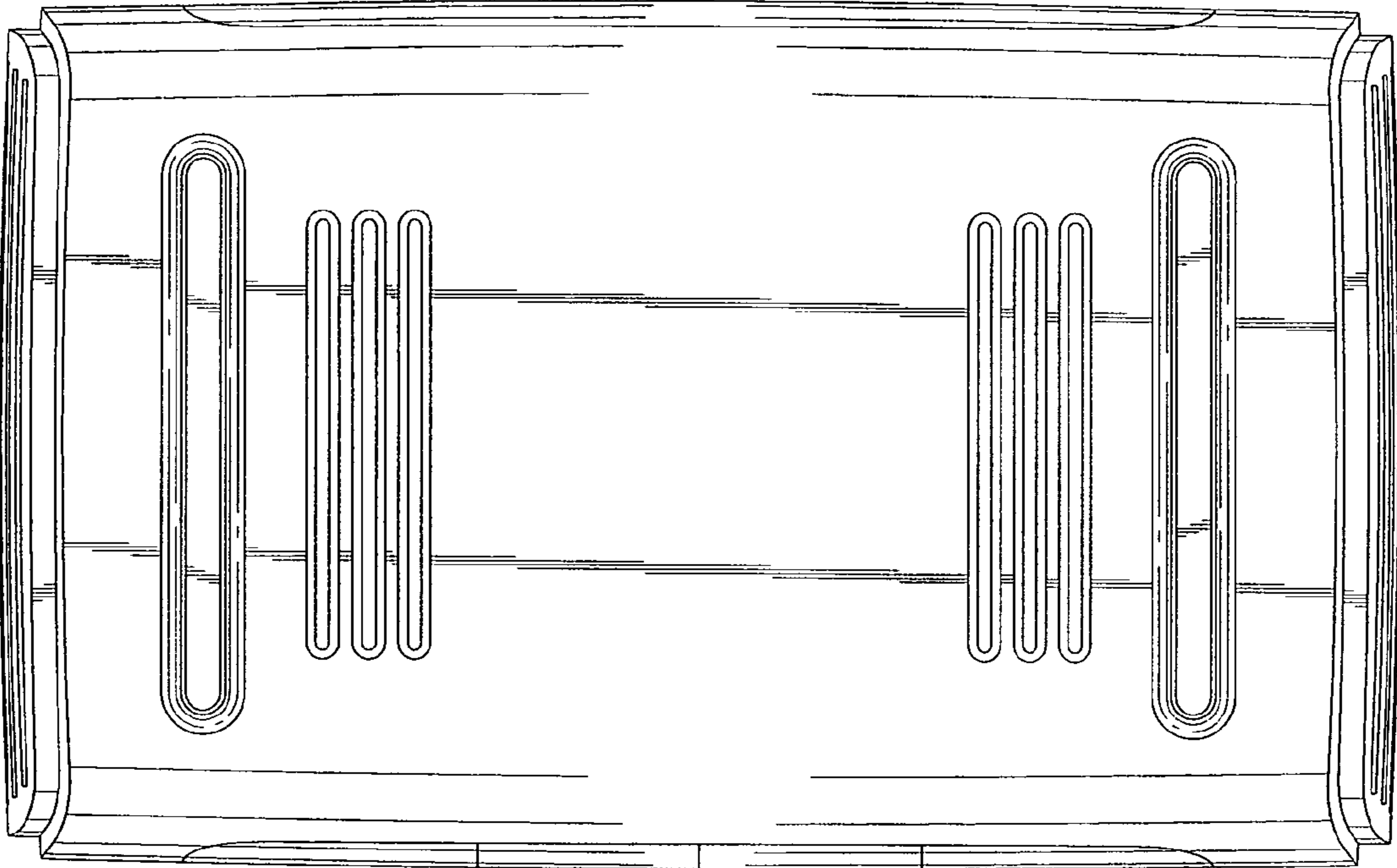


FIG.7