



US00D589044S

(12) **United States Design Patent**
Yoshida et al.

(10) **Patent No.:** **US D589,044 S**
(45) **Date of Patent:** **** Mar. 24, 2009**

(54) **WIRELESS TRANSMITTER**

(75) Inventors: **Koshin Yoshida**, Machida (JP); **Daisuke Watanabe**, Machida (JP)

(73) Assignee: **Kabushiki Kaisha Audio Technica**,
Machida-shi, Tokyo (JP)

(**) Term: **14 Years**

(21) Appl. No.: **29/290,815**

(22) Filed: **Jan. 17, 2008**

(30) **Foreign Application Priority Data**

Jul. 18, 2007 (JP) 2007-019444

(51) **LOC (9) Cl.** **14-02**

(52) **U.S. Cl.** **D14/358**

(58) **Field of Classification Search** D14/356,
D14/358, 432, 433, 137, 138, 140, 155, 188,
D14/217, 240, 299, 191; D13/110, 184;
439/488, 490, 901; 379/1.03, 38, 39, 42,
379/67.1, 88.17, 90.01, 93.01, 93.17, 142.07,
379/219, 220.01, 221.14, 221.15, 387.01,
379/397, 399.01, 419, 428.01, 457; 455/3.01,
455/3.05, 3.06, 426.1, 500, 73, 74, 556.1,
455/561, 575.1, 89, 91, 95, 130, 132, 344,
455/347, 899, FOR. 254

See application file for complete search history.

(56) **References Cited**

U.S. PATENT DOCUMENTS

D338,193 S * 8/1993 Sasaki D14/433

D385,535 S * 10/1997 Summit et al. D14/358
D430,147 S * 8/2000 Willkens et al. D14/137
D439,243 S * 3/2001 Miyazaki D14/358
D441,744 S * 5/2001 Miyazaki D14/358

* cited by examiner

Primary Examiner—Brian N Vinson

(74) *Attorney, Agent, or Firm*—Manabu Kanesaka

(57) **CLAIM**

The ornamental design for a wireless transmitter, as shown and described.

DESCRIPTION

FIG. 1 is a front perspective view of a wireless transmitter showing my new design;

FIG. 2 is a rear perspective view thereof;

FIG. 3 is a front view thereof;

FIG. 4 is a rear view thereof;

FIG. 5 is a top plan view thereof;

FIG. 6 is a bottom view thereof;

FIG. 7 is a left side view thereof;

FIG. 8 is a right side view thereof; and,

FIG. 9 is a right side view with a sliding cover moved to its close position.

1 Claim, 3 Drawing Sheets

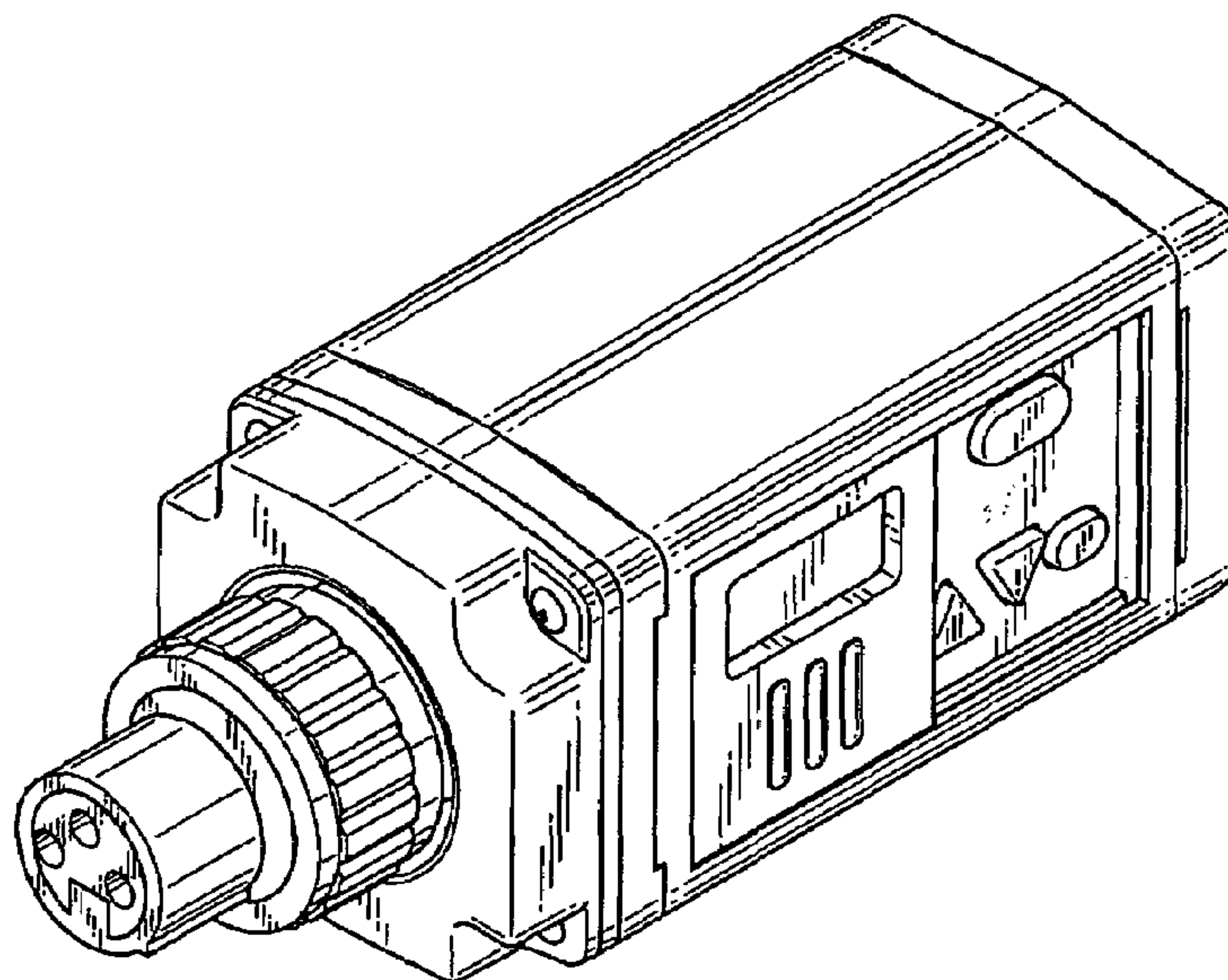


FIG. 1

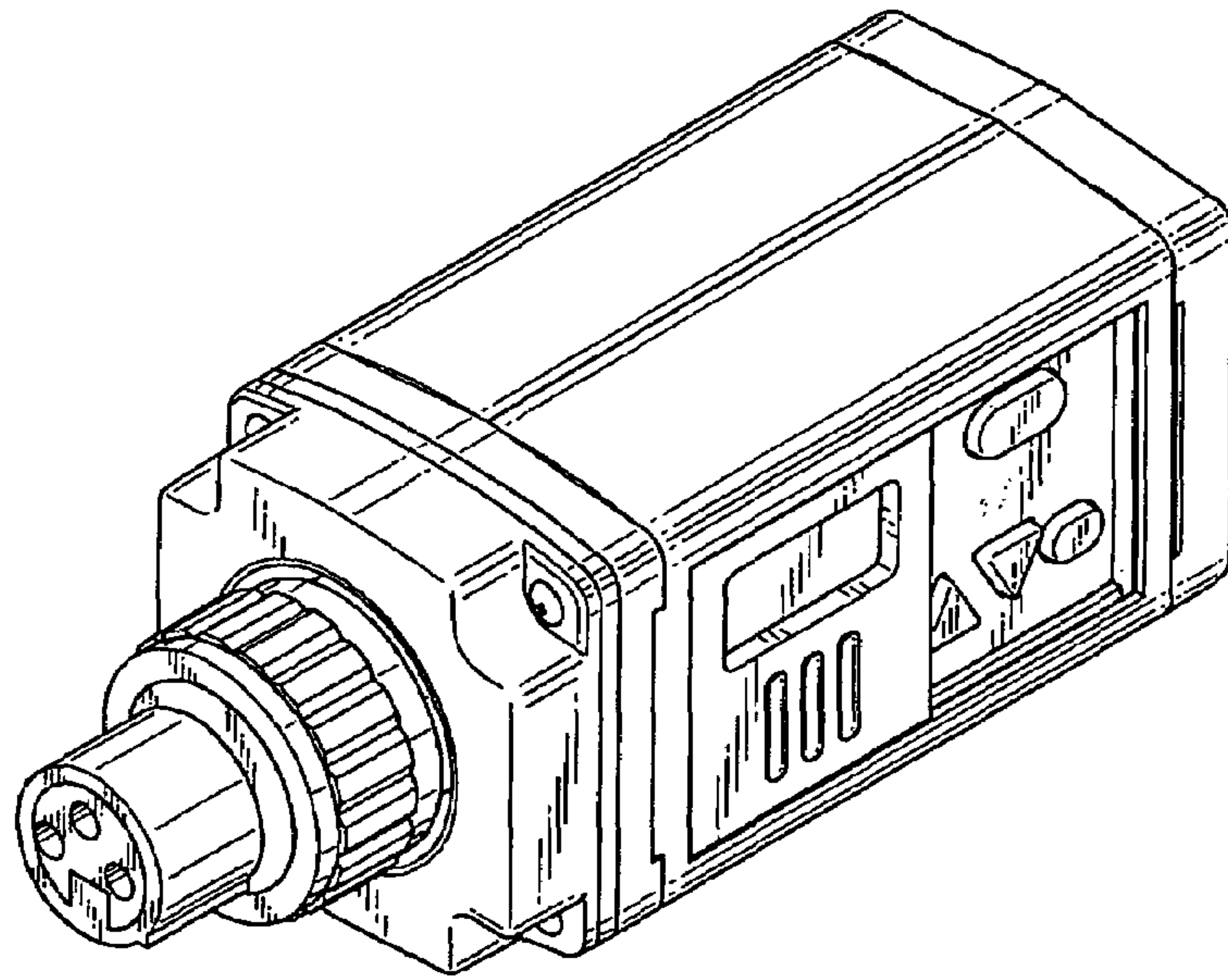


FIG. 2

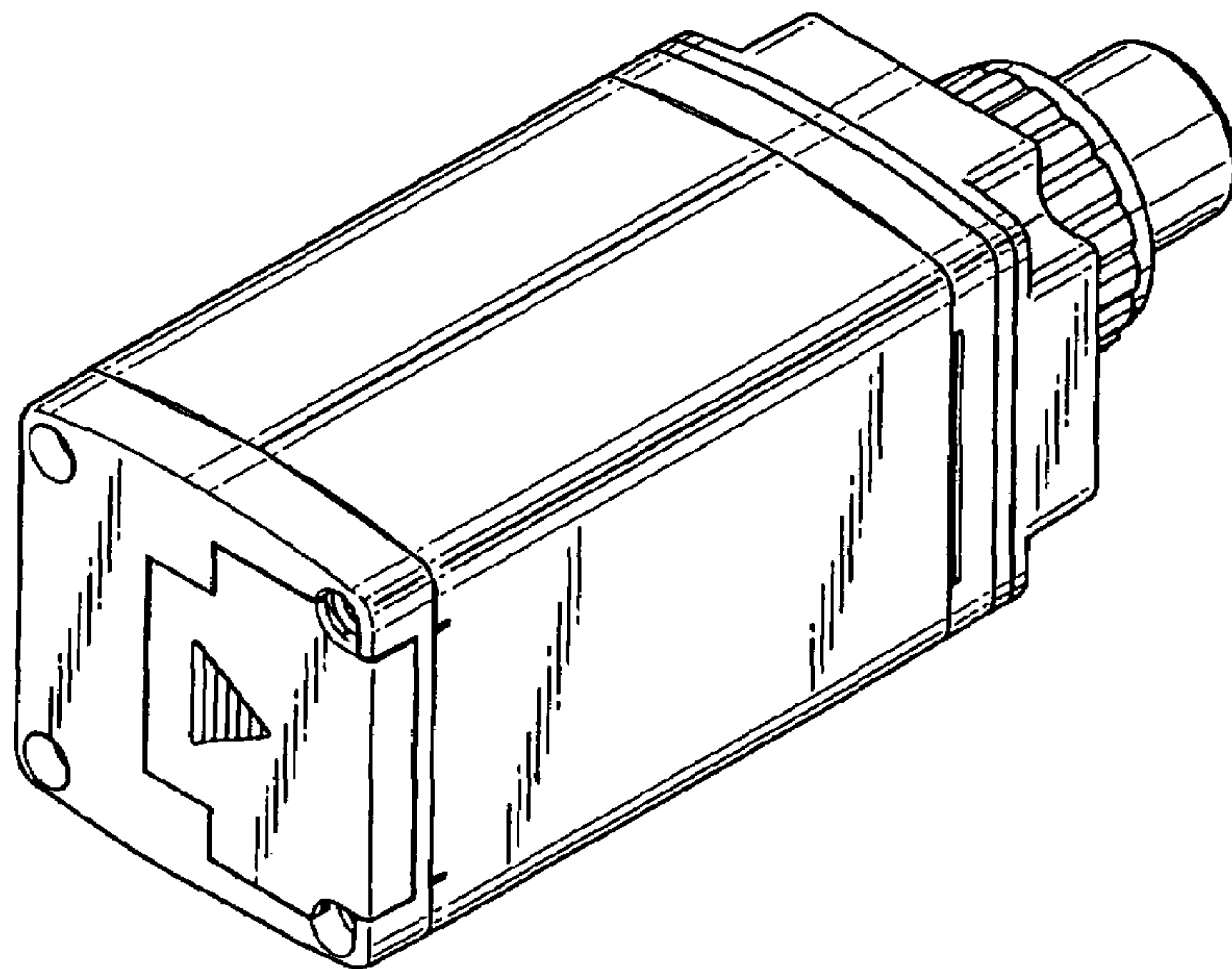


FIG. 3

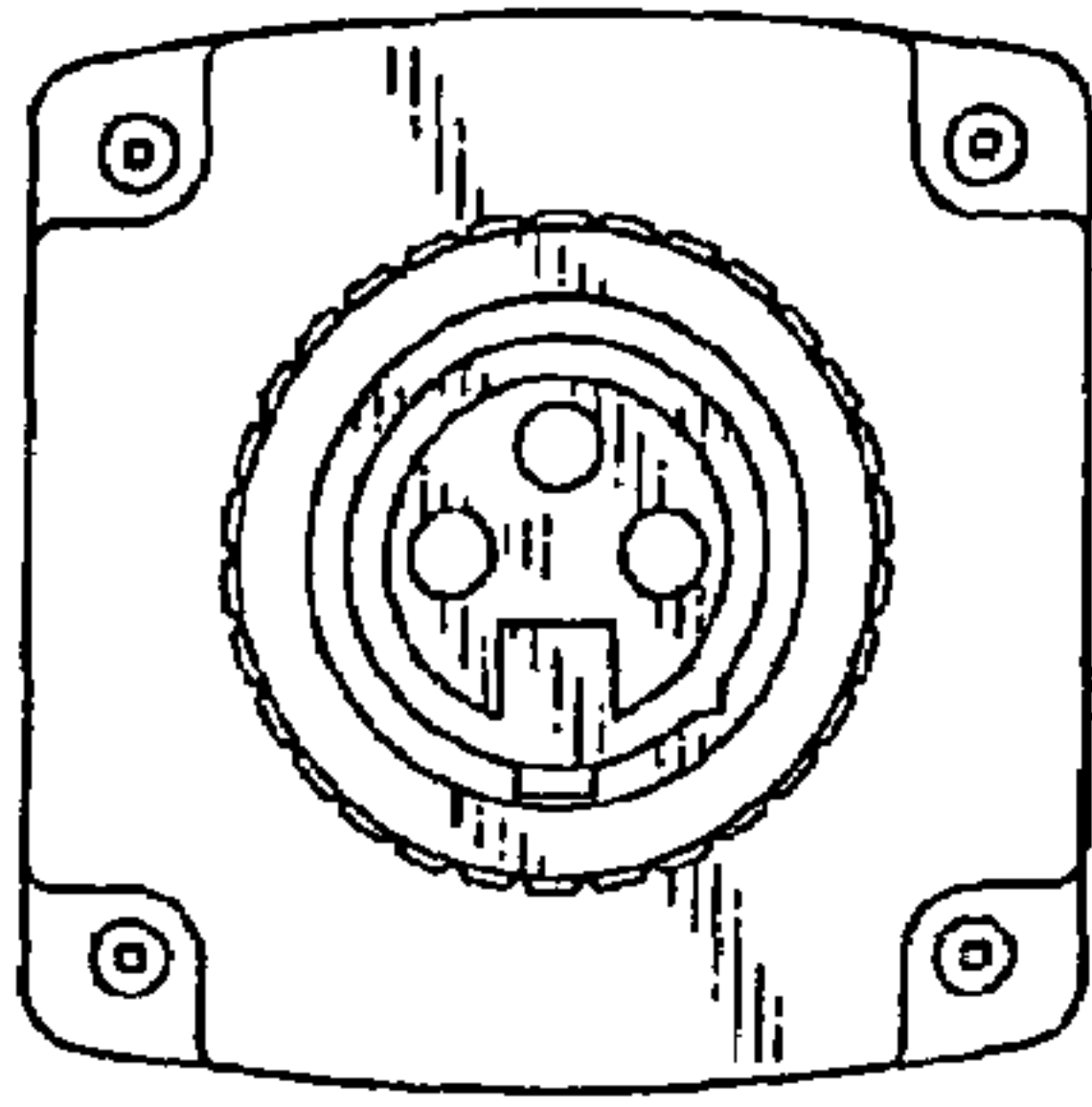


FIG. 4

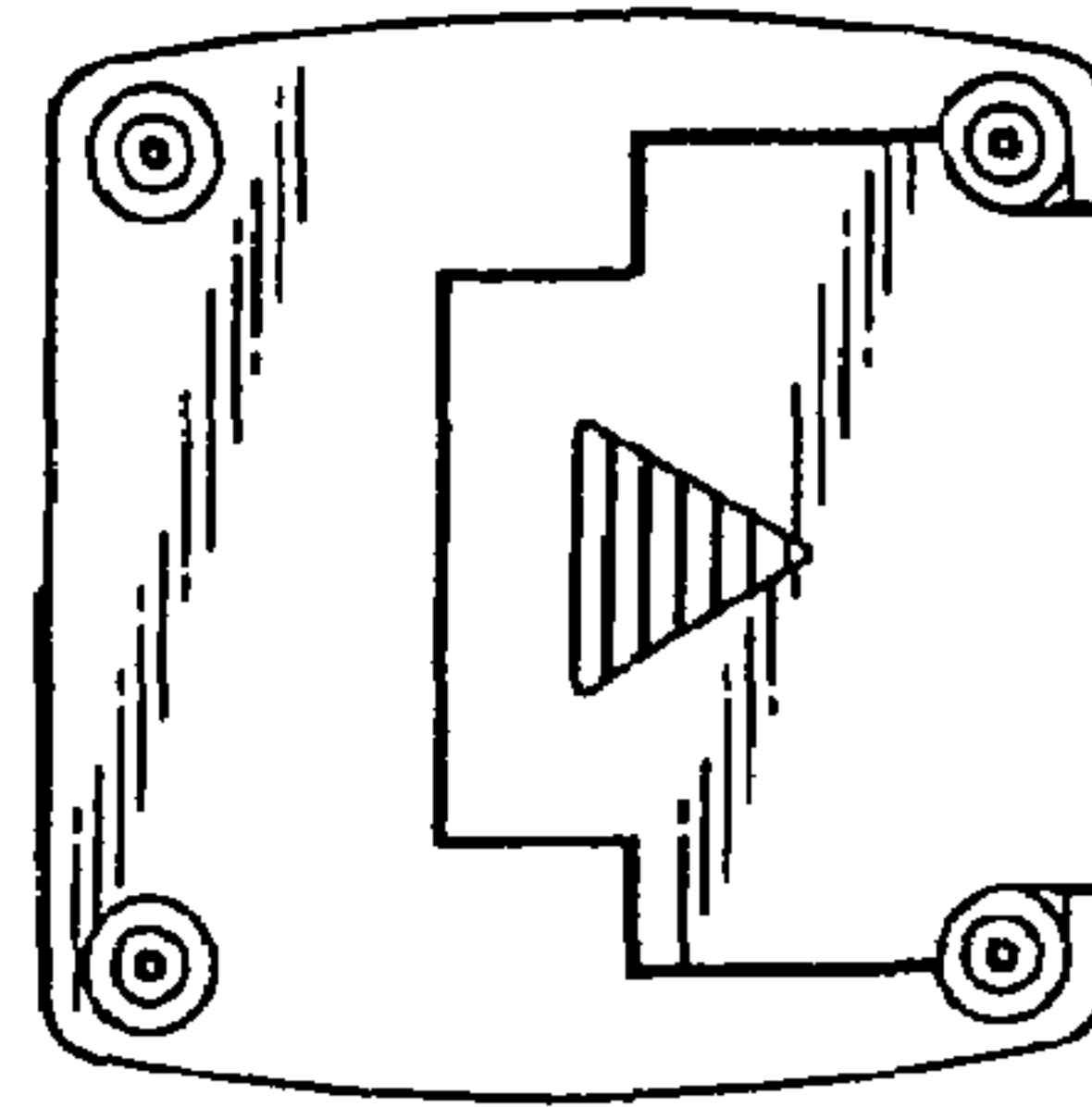


FIG. 5

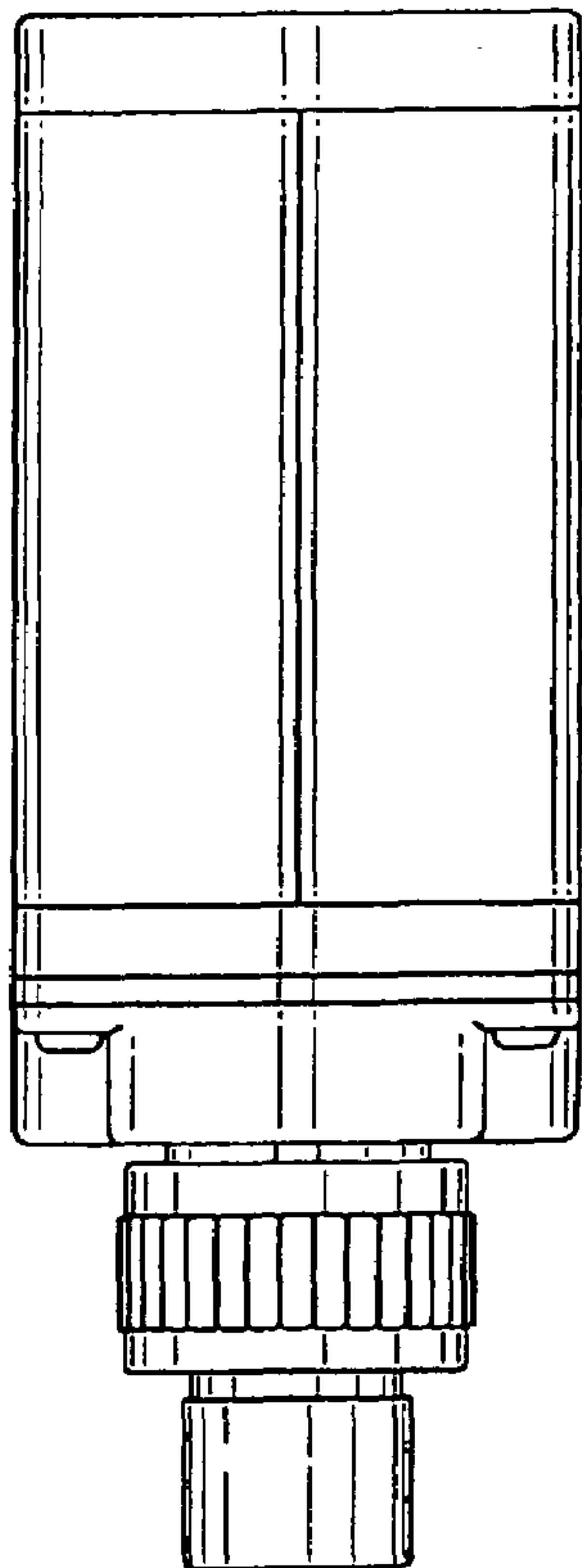


FIG. 6

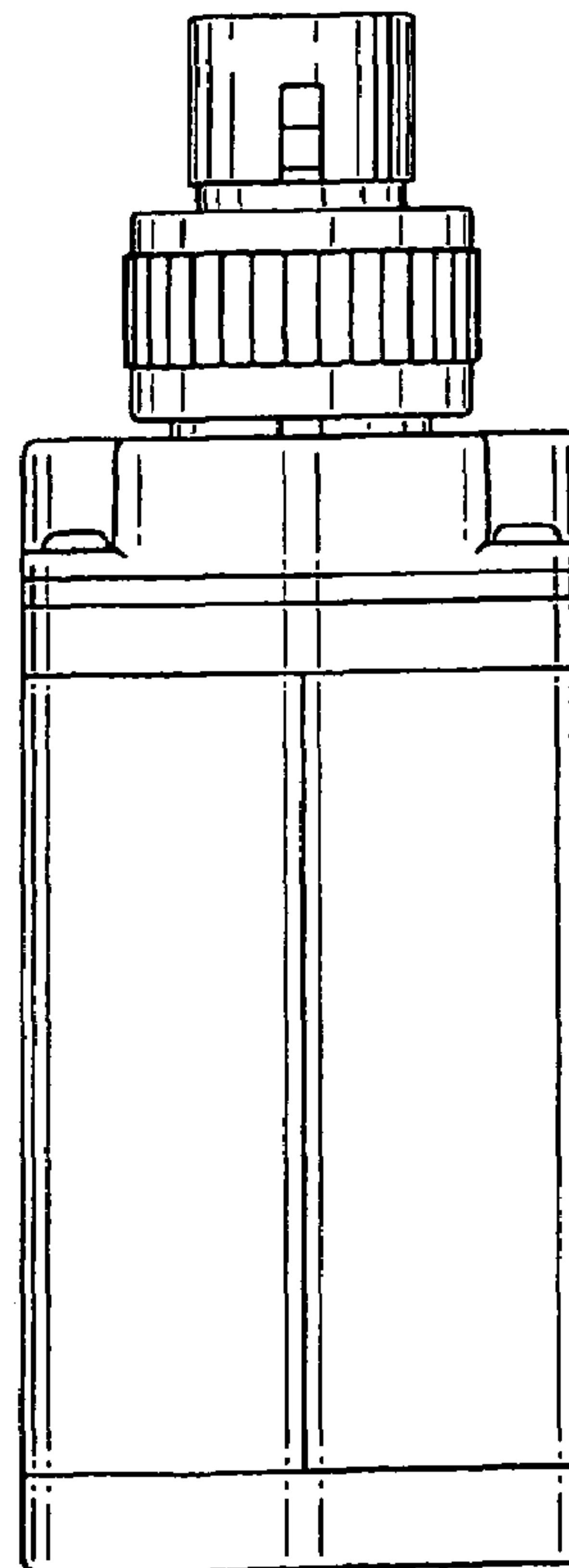


FIG. 7

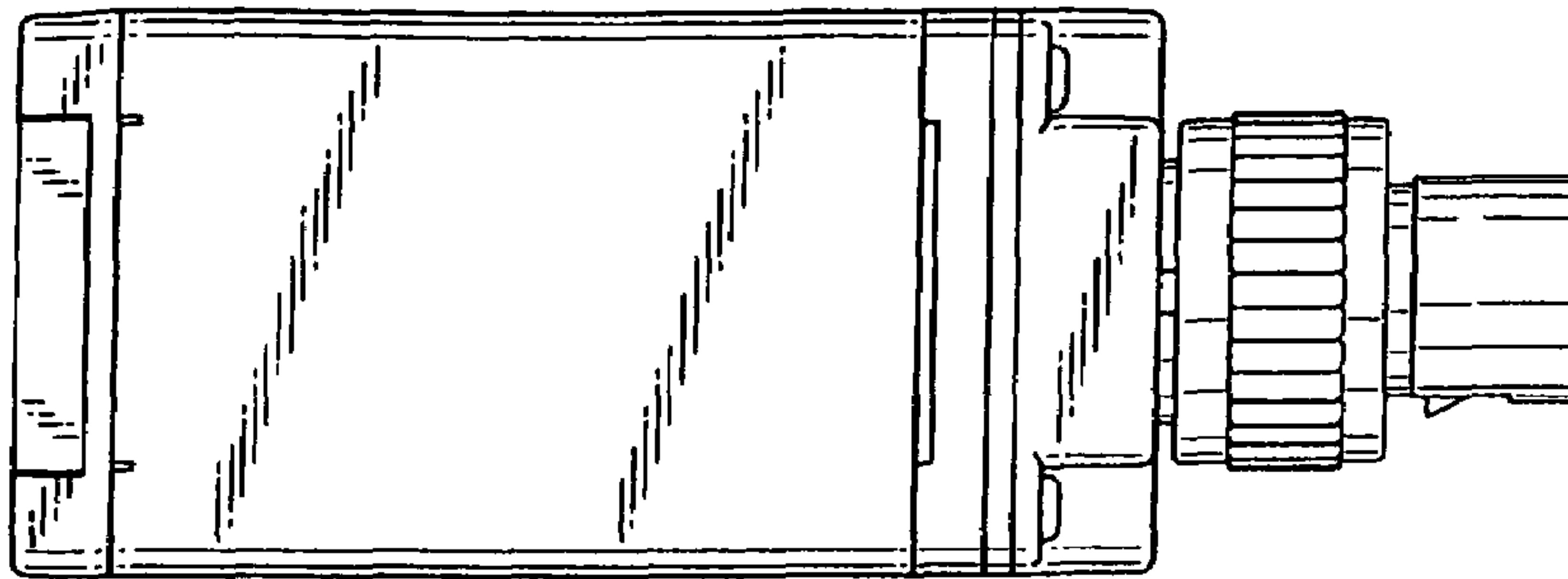


FIG. 8

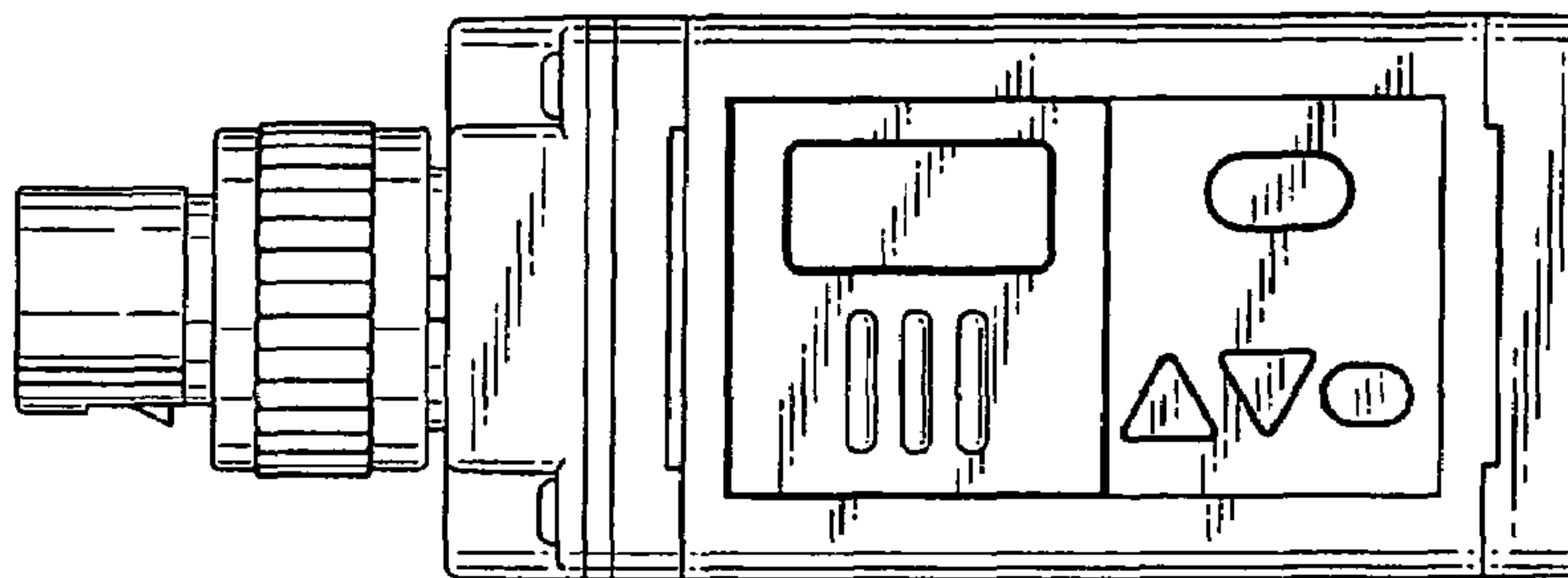


FIG. 9

