



US00D589042S

(12) **United States Design Patent**
Lee

(10) **Patent No.:** **US D589,042 S**
(45) **Date of Patent:** **** Mar. 24, 2009**

(54) **NETWORK DEVICE**

(75) Inventor: **Shih-Yun Lee**, Chunggho (TW)

(73) Assignee: **Quanta Computer Inc.**, Tao Yuan Shien (TW)

(**) Term: **14 Years**

(21) Appl. No.: **29/282,649**

(22) Filed: **Jul. 26, 2007**

(51) **LOC (9) Cl.** **14-02**

(52) **U.S. Cl.** **D14/318**

(58) **Field of Classification Search** D14/188,
D14/242, 496, 230-237, 241, 167, 302, 314,
D14/348-358, 363, 383, 433, 43, 439-441,
D14/140-141.94, 315-327; D13/149, 184;
D3/201, 273; 711/100, 115; 361/685, 725,
361/752; 369/272.1, 273, 75.11; 360/133,
360/79.01, 97.03; 379/220.01, 221.09, 220.14,
379/25, 93.09, 93.19, 156, 900, 338-339,
379/441

See application file for complete search history.

(56) **References Cited**

U.S. PATENT DOCUMENTS

D341,579 S * 11/1993 Sugihara et al. D14/322
D351,377 S * 10/1994 Yu D14/325
D353,133 S * 12/1994 Yamada et al. D14/325
5,550,861 A * 8/1996 Chan et al. 375/222

D381,330 S * 7/1997 Kaufman et al. D14/496
D420,650 S * 2/2000 Feierbach D14/354
6,898,078 B2 * 5/2005 Kamimaki et al. 361/686
D552,125 S * 10/2007 Egawa et al. D14/496
D555,667 S * 11/2007 Hussaini et al. D14/496
7,349,201 B2 * 3/2008 Tatsukami et al. 361/683

* cited by examiner

Primary Examiner—Ian Simmons

Assistant Examiner—Charles D Hanson

(74) *Attorney, Agent, or Firm*—Thomas, Kayden,
Horstemeyer & Risley

(57) **CLAIM**

The ornamental design for a network device, as shown and described.

DESCRIPTION

FIG. 1 is a front, side perspective view of a network device showing our new design;

FIG. 2 is a front elevational view thereof;

FIG. 3 is a rear elevational view thereof;

FIG. 4 is a left side elevational view thereof;

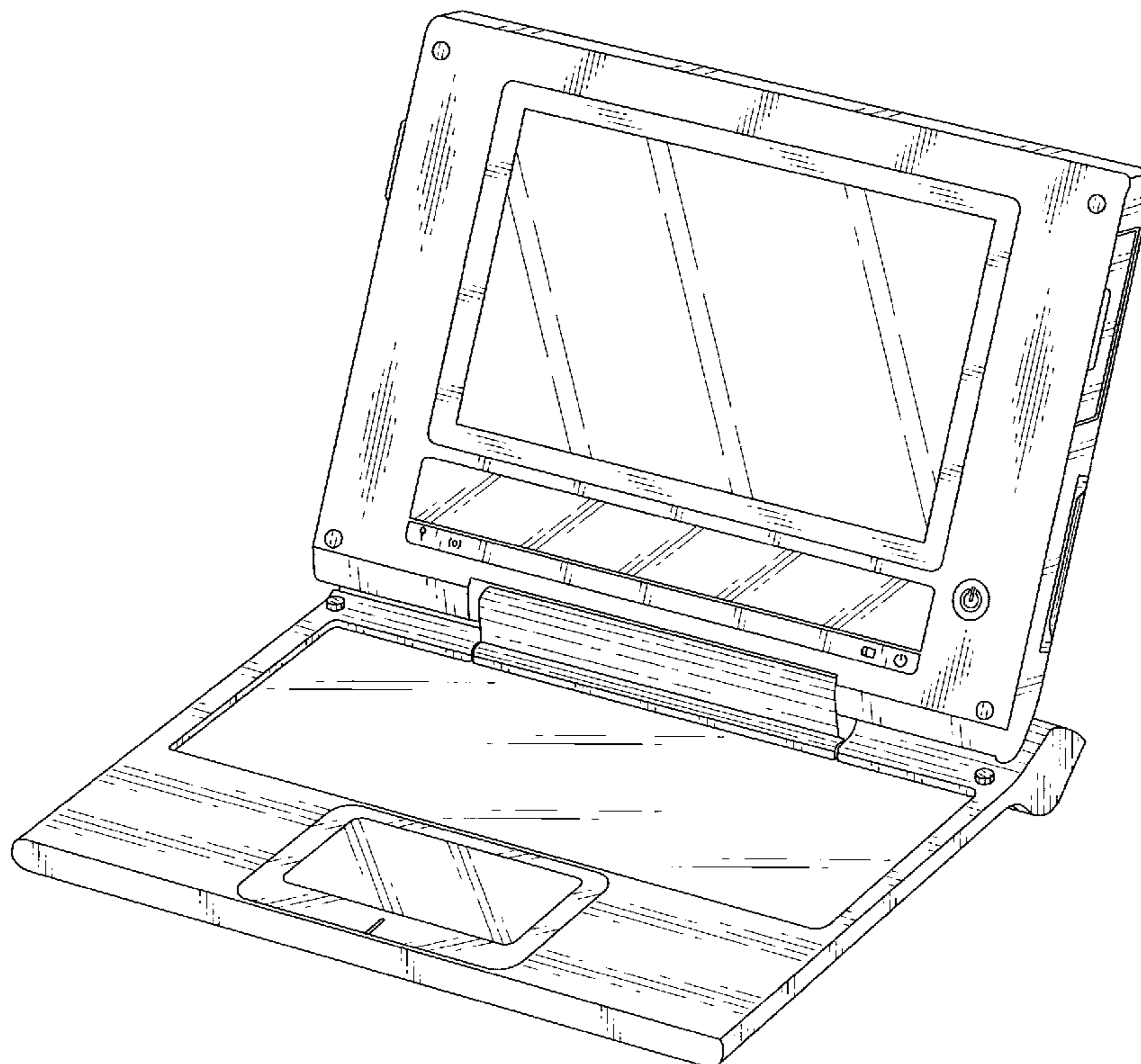
FIG. 5 is a right side elevational view thereof;

FIG. 6 is a top plan view thereof;

FIG. 7 is a bottom plan view thereof; and,

FIG. 8 is a front view thereof in an open position.

1 Claim, 6 Drawing Sheets



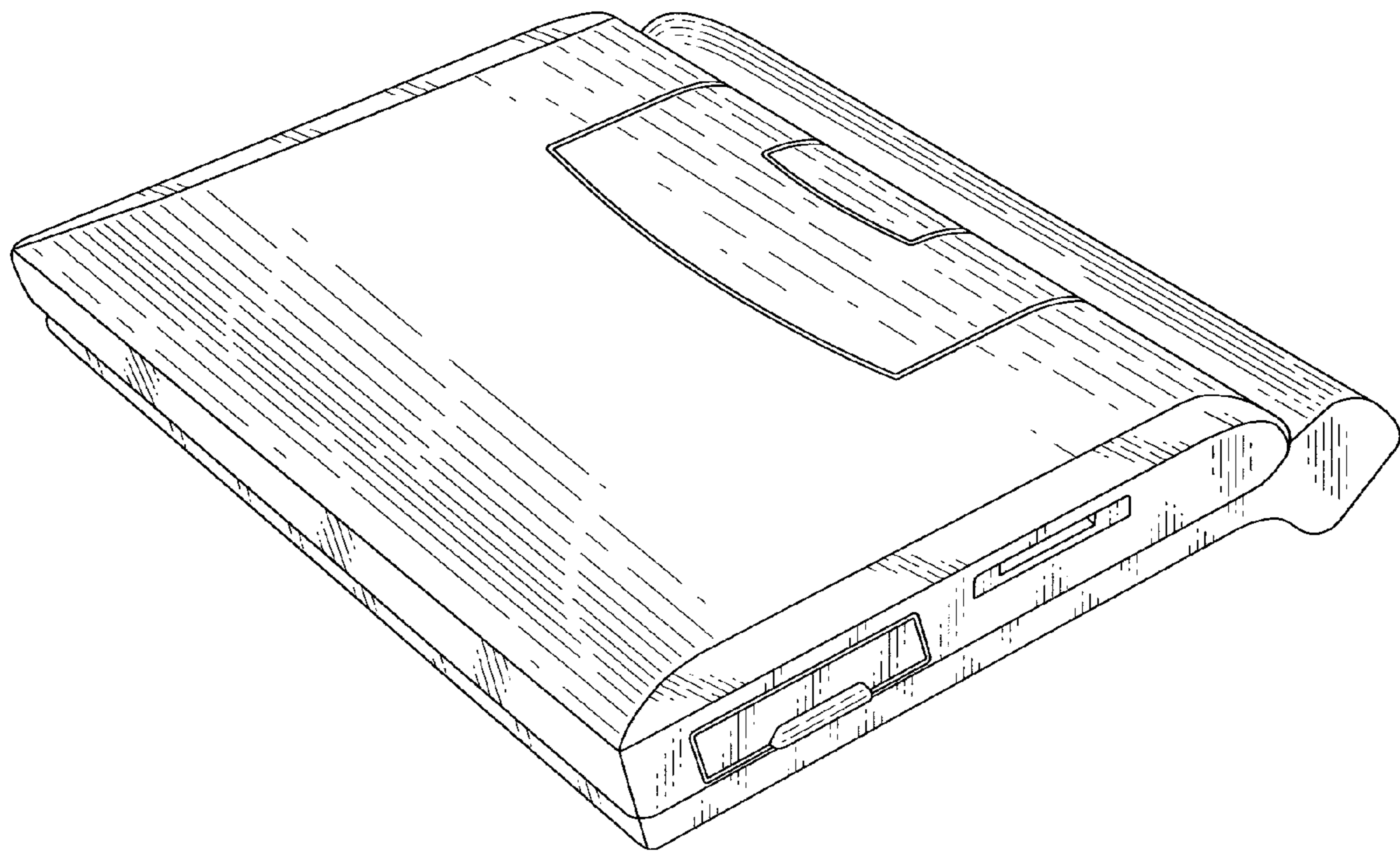


FIG. 1

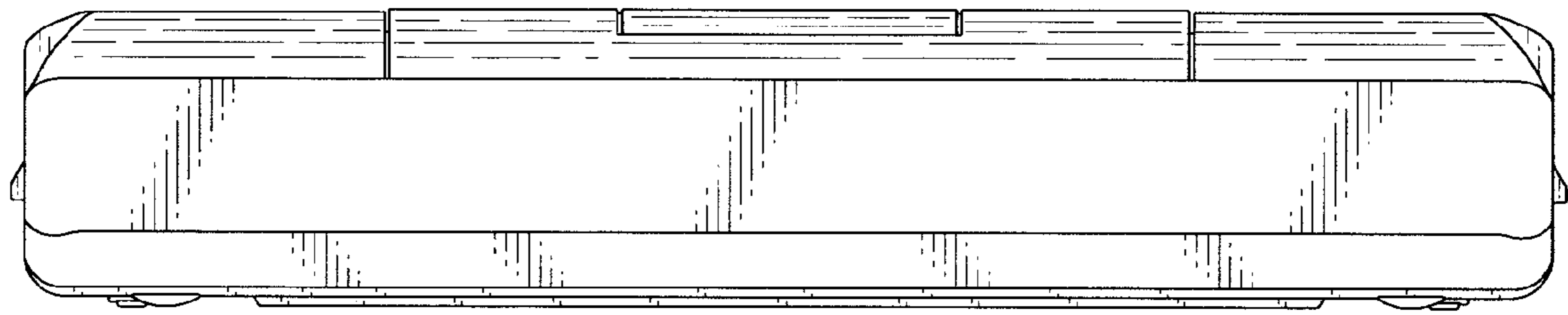


FIG. 2

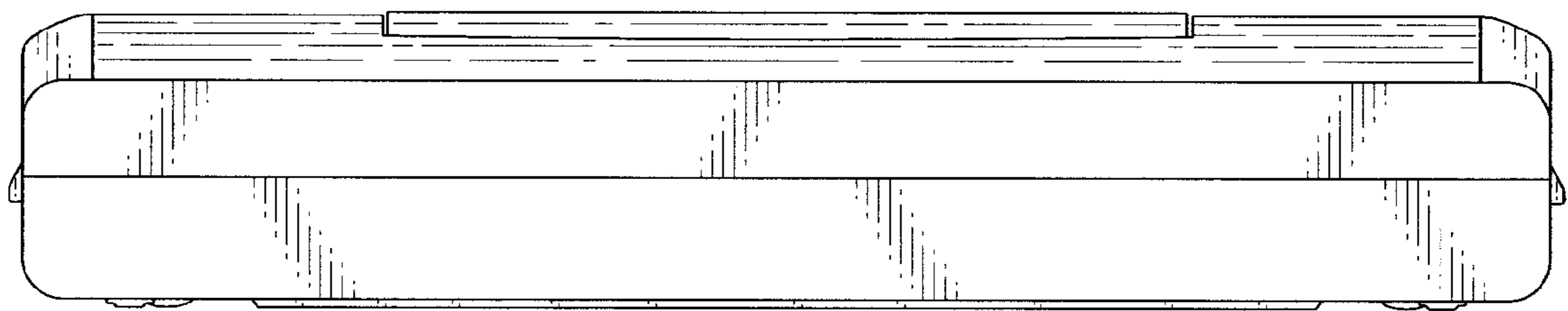


FIG. 3

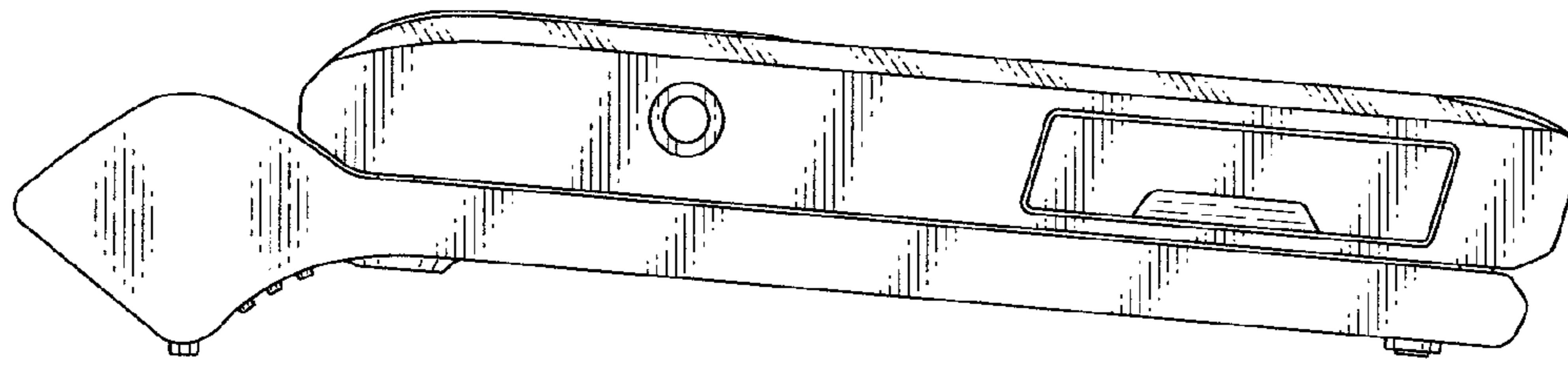


FIG. 4

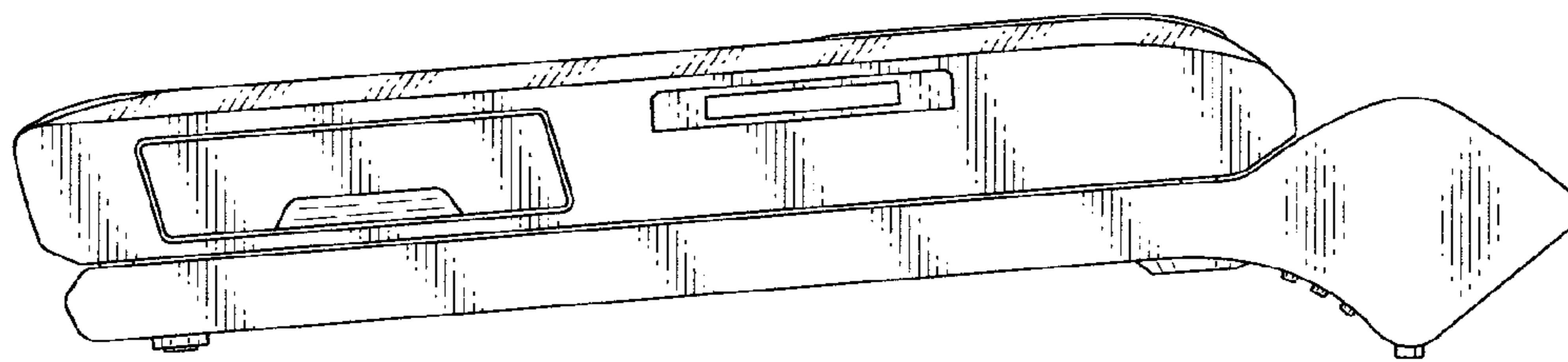


FIG. 5

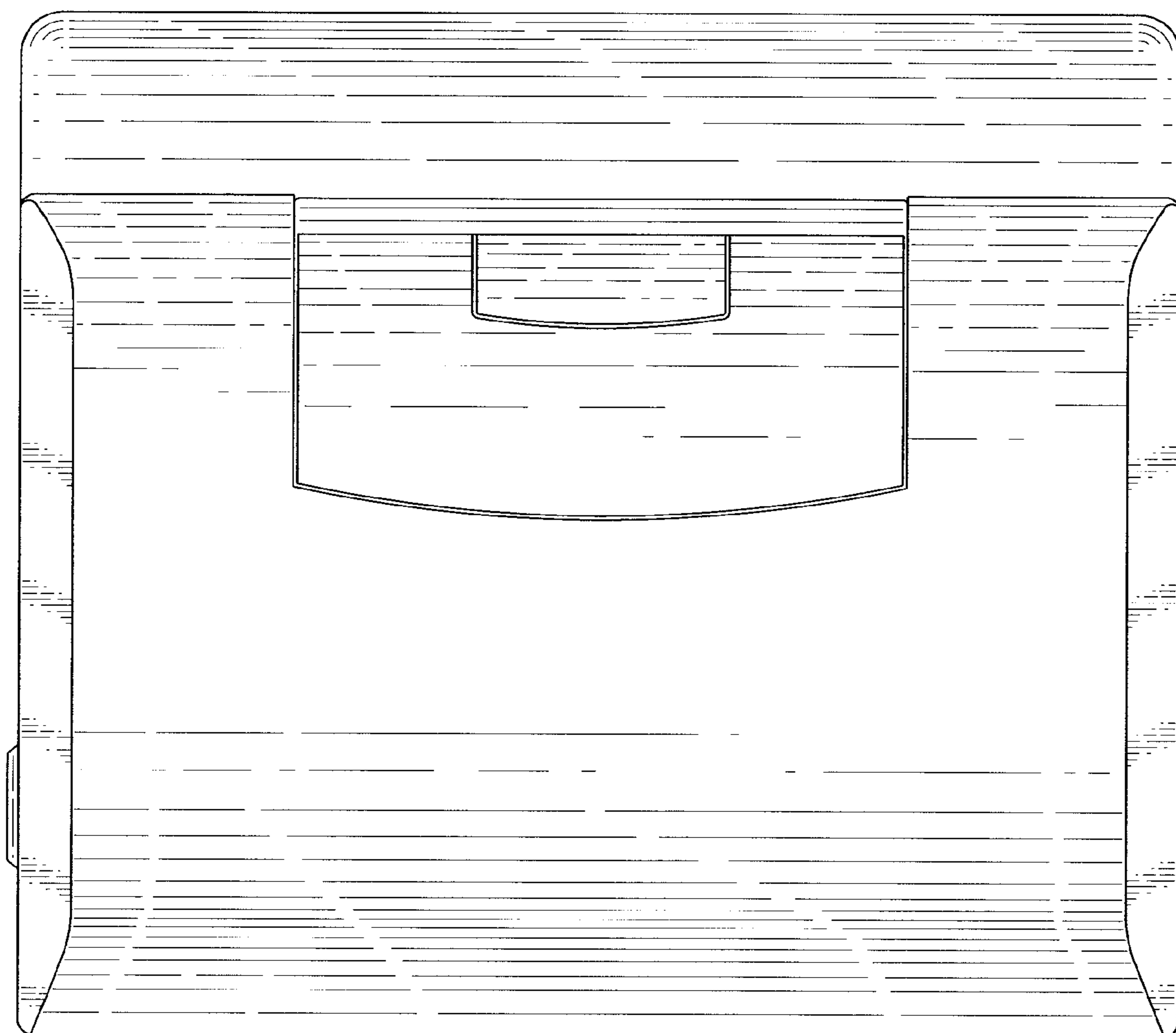


FIG. 6

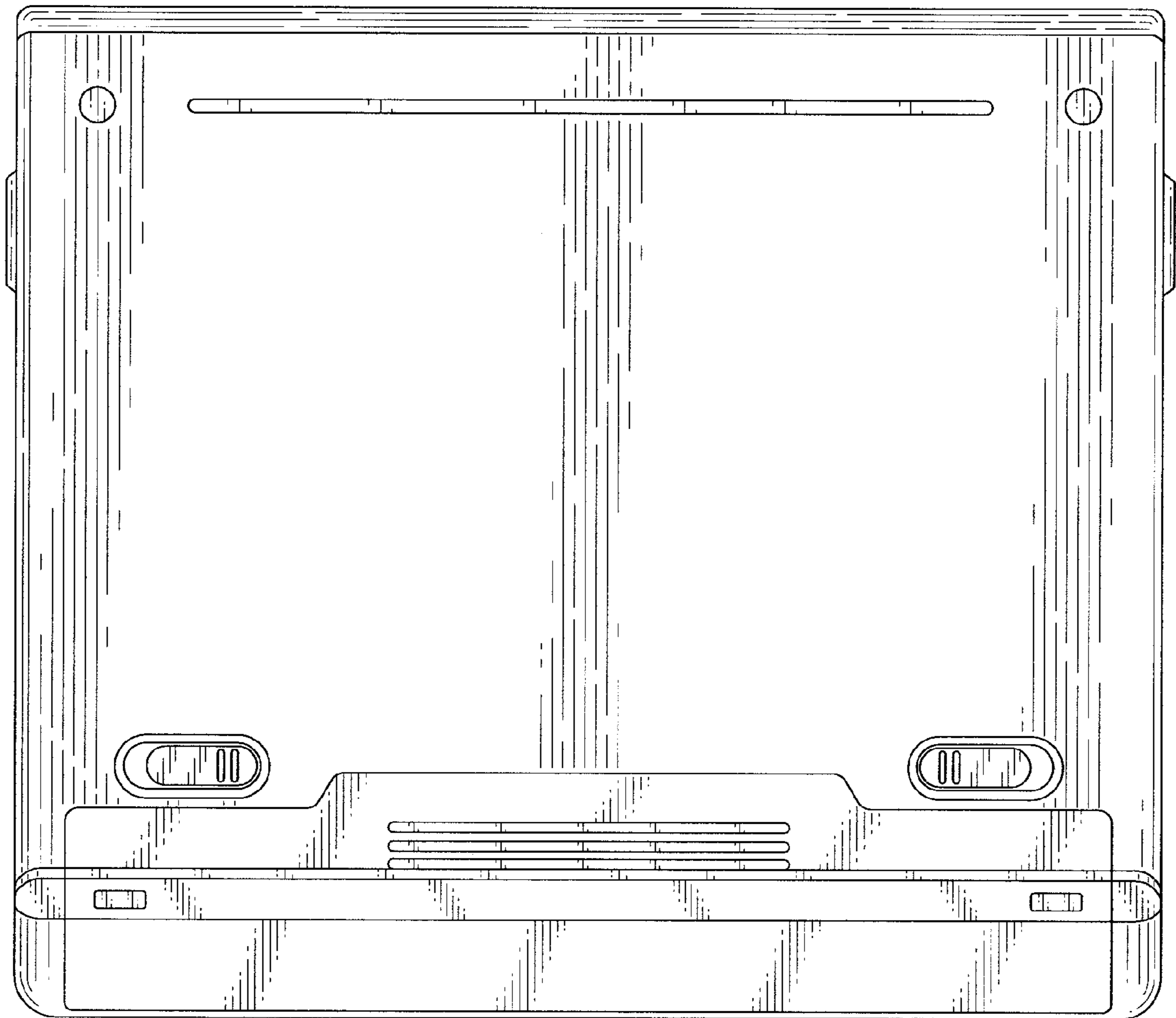


FIG. 7

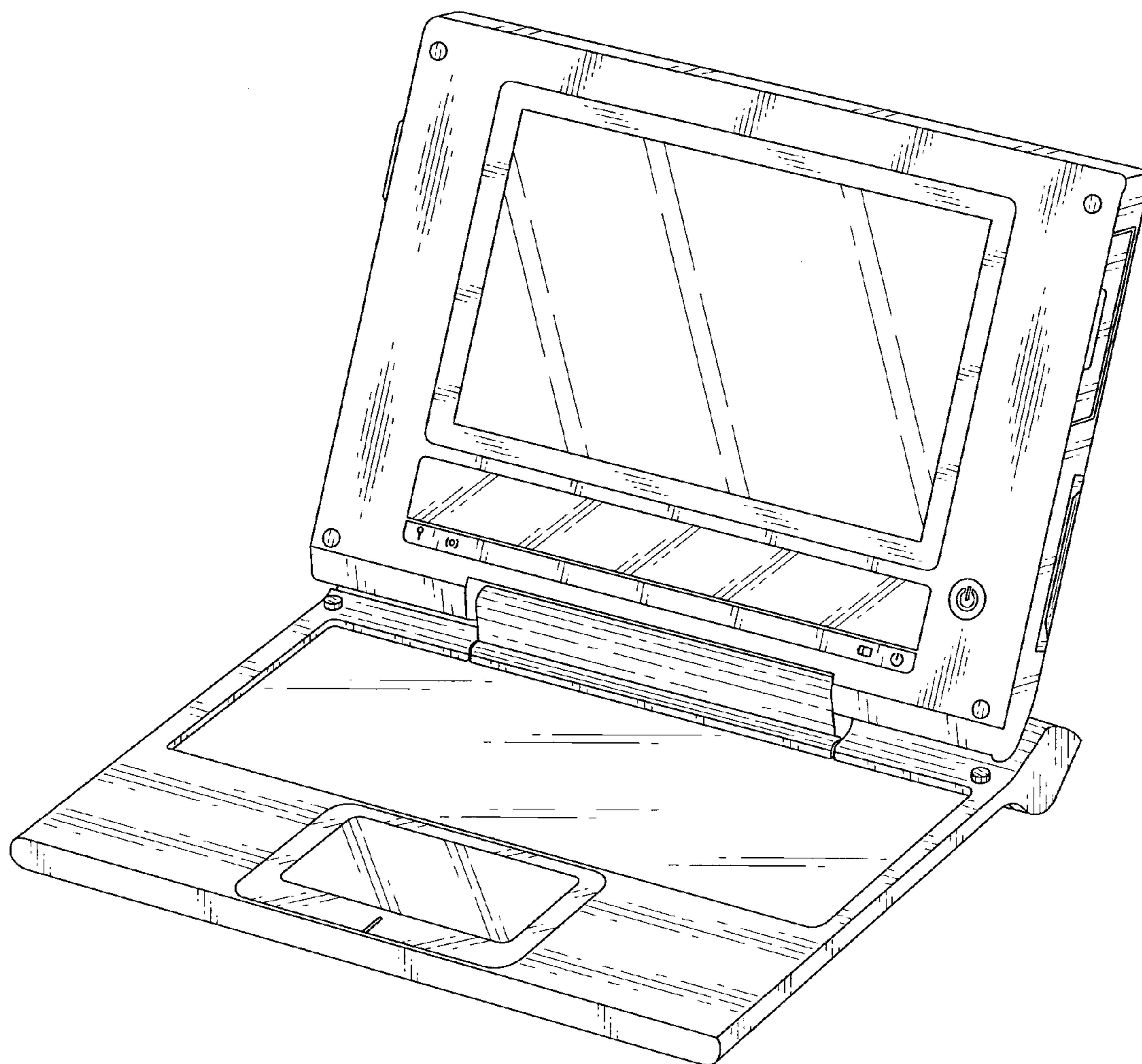


FIG. 8