



US00D589030S

(12) **United States Design Patent**
Yokoyama

(10) **Patent No.:** **US D589,030 S**
(45) **Date of Patent:** **** Mar. 24, 2009**

(54) **SPEAKER**

D547,751 S 7/2007 Shiono
D562,308 S 2/2008 Matsuoka

(75) Inventor: **Hiroaki Yokoyama**, Tokyo (JP)

* cited by examiner

(73) Assignee: **Sony Corporation**, Tokyo (JP)

Primary Examiner—Nanda Bondade
(74) *Attorney, Agent, or Firm*—Rader, Fishman & Grauer, PLLC

(**) Term: **14 Years**

(21) Appl. No.: **29/300,526**

(57) **CLAIM**

(22) Filed: **Apr. 7, 2008**

The ornamental design for a speaker, as shown and described.

(51) **LOC (9) Cl.** **14-01**

(52) **U.S. Cl.** **D14/216**

(58) **Field of Classification Search** D14/204,
D14/210–216, 219–220, 172; 181/143–144,
181/147–148, 150–153, 157, 198–199; 381/300–303,
381/306, 332–333, 336, 345, 361–364, 386–388
See application file for complete search history.

DESCRIPTION

FIG. 1 is a perspective view of a speaker showing my new design;

FIG. 2 is a front elevational view thereof;

FIG. 3 is a left side elevational view thereof;

FIG. 4 is a right side elevational view thereof;

FIG. 5 is a top plan view thereof; and,

FIG. 6 is a bottom plan view thereof.

Portions that are shown as broken lines are illustrative purposes only and form no part of the claimed design.

(56) **References Cited**

U.S. PATENT DOCUMENTS

6,095,278	A *	8/2000	Lin	181/148
D488,802	S *	4/2004	Uehara et al.	D14/216
D525,236	S	7/2006	Hibi		
D532,771	S	11/2006	Motoishi		

1 Claim, 6 Drawing Sheets

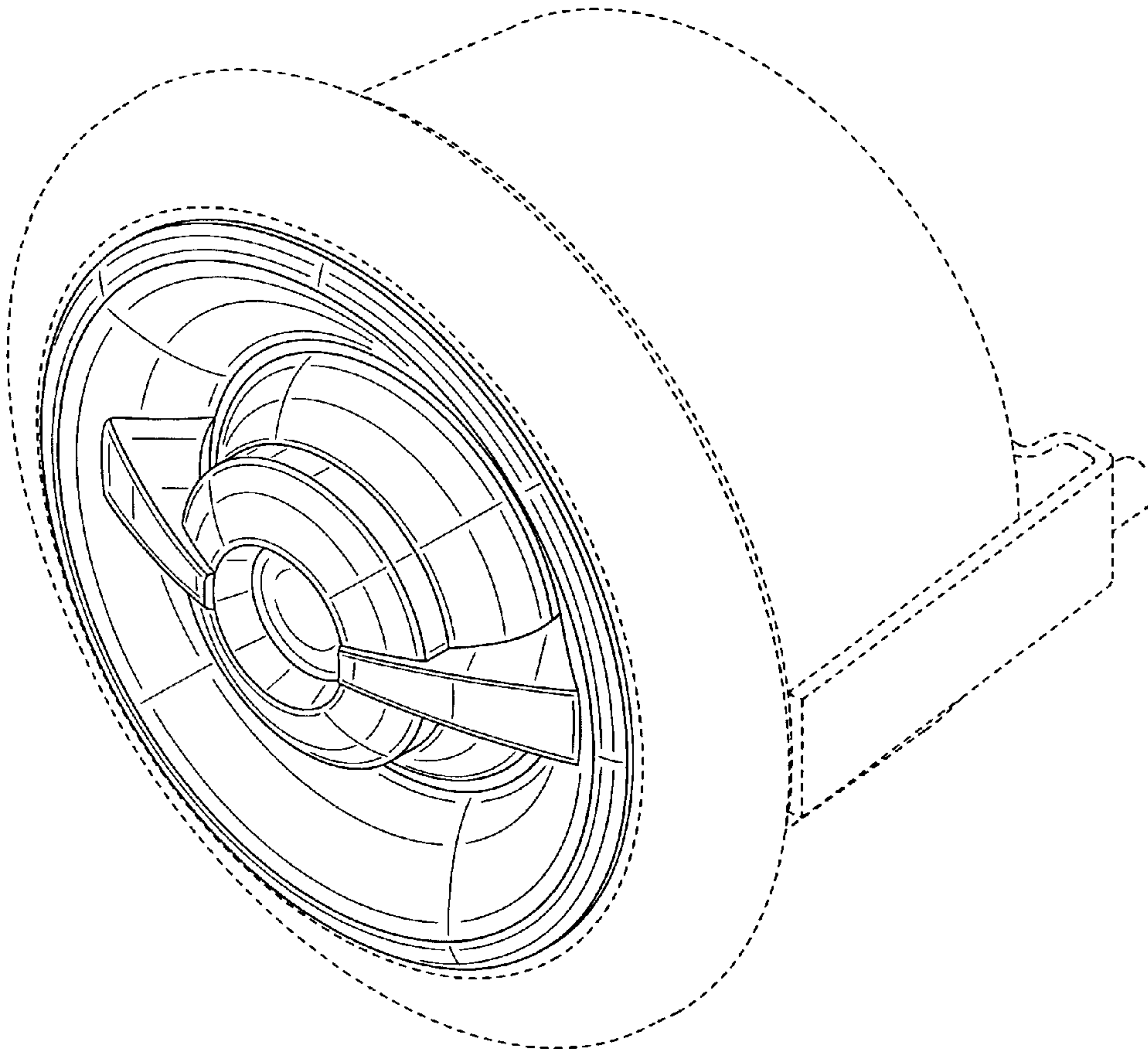


FIG.1

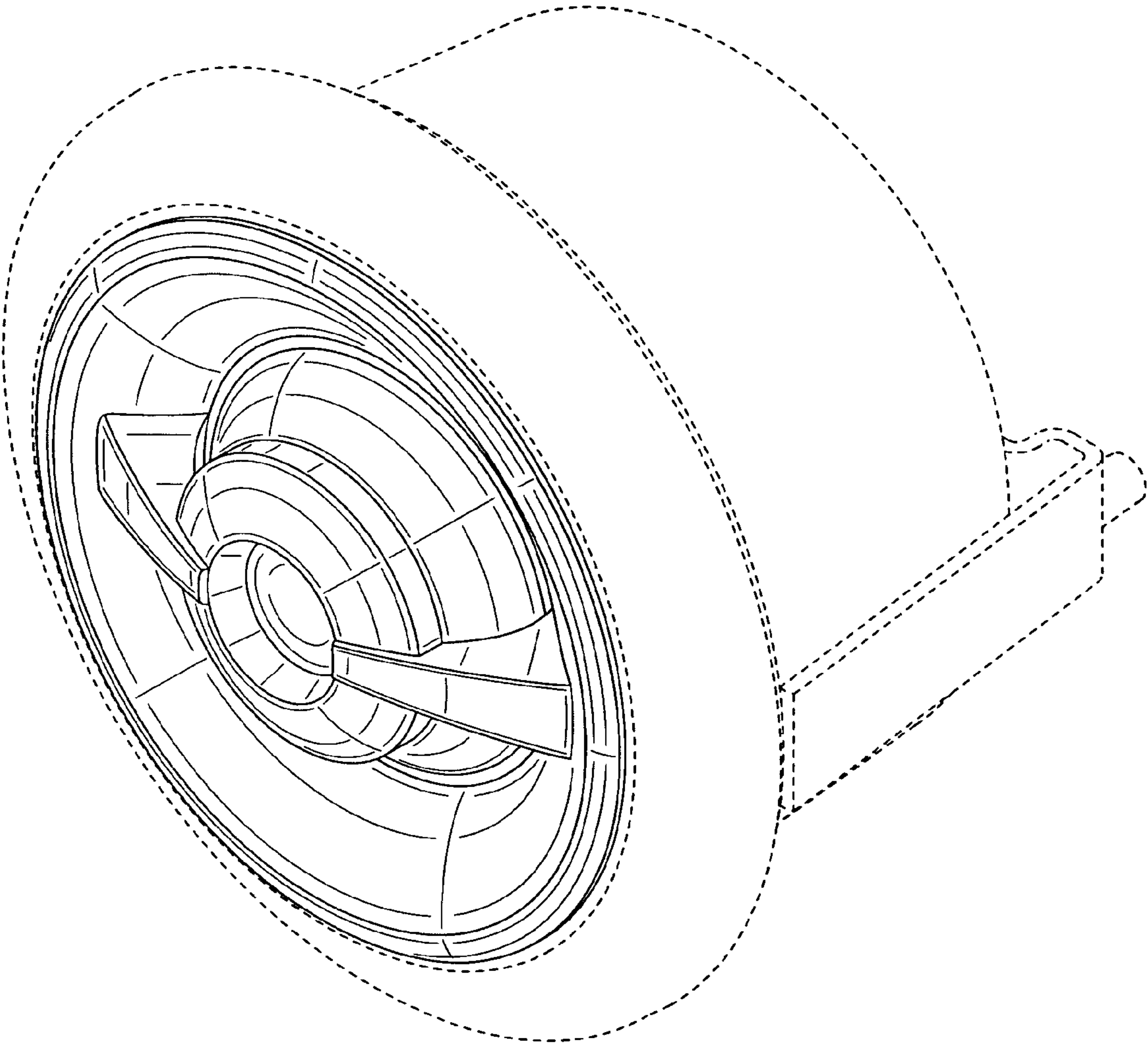


FIG.2

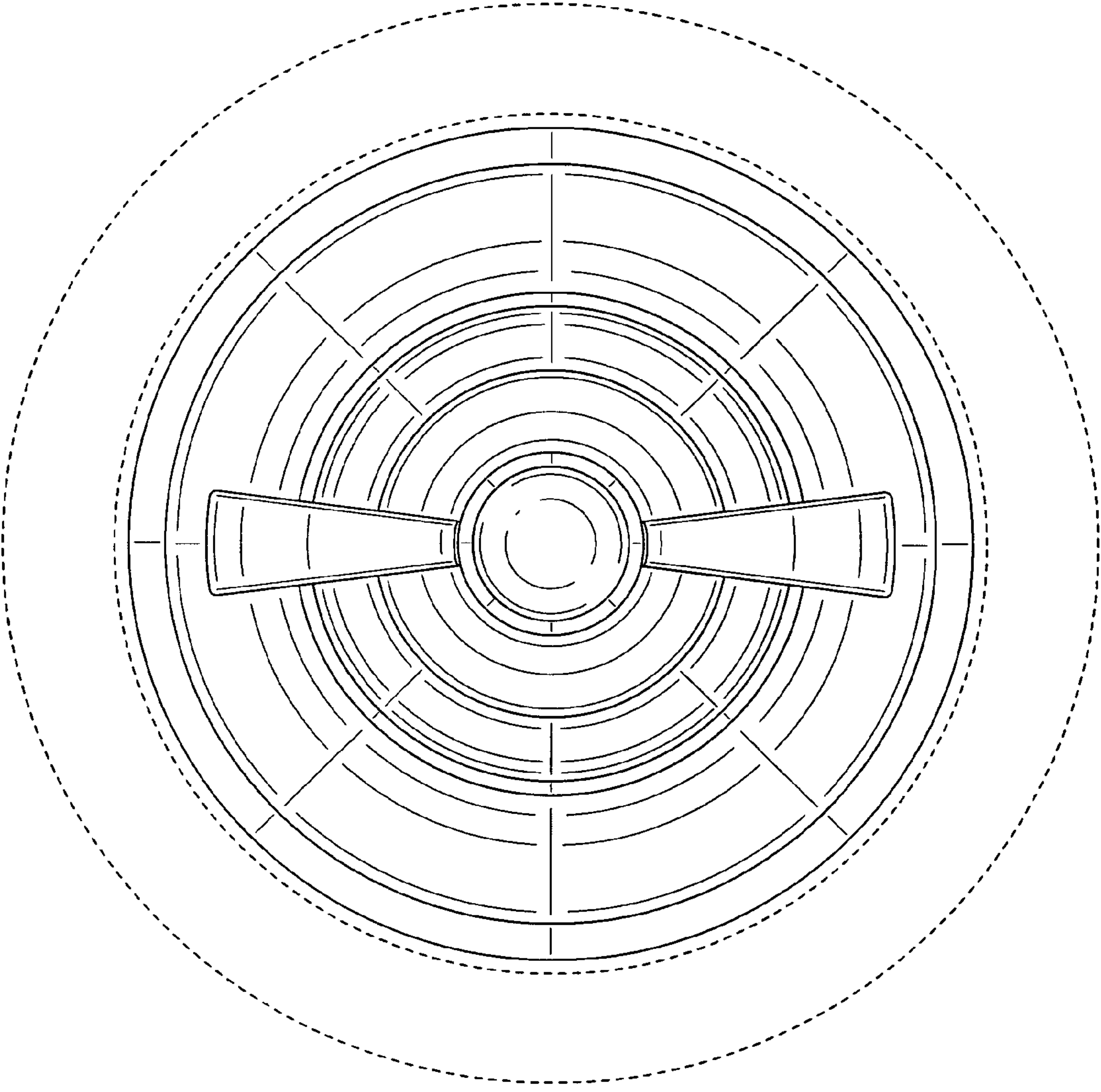


FIG.3

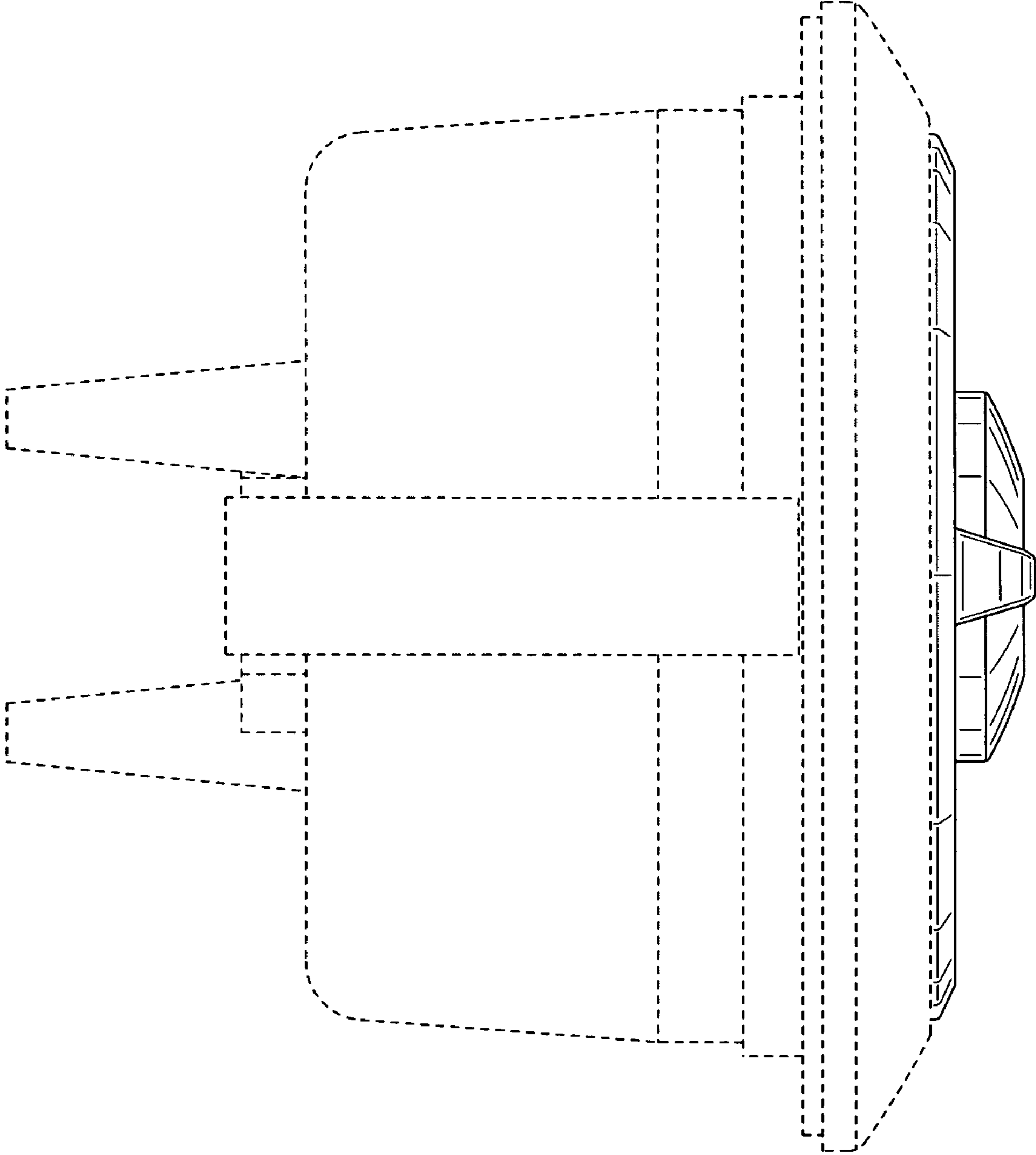


FIG.4

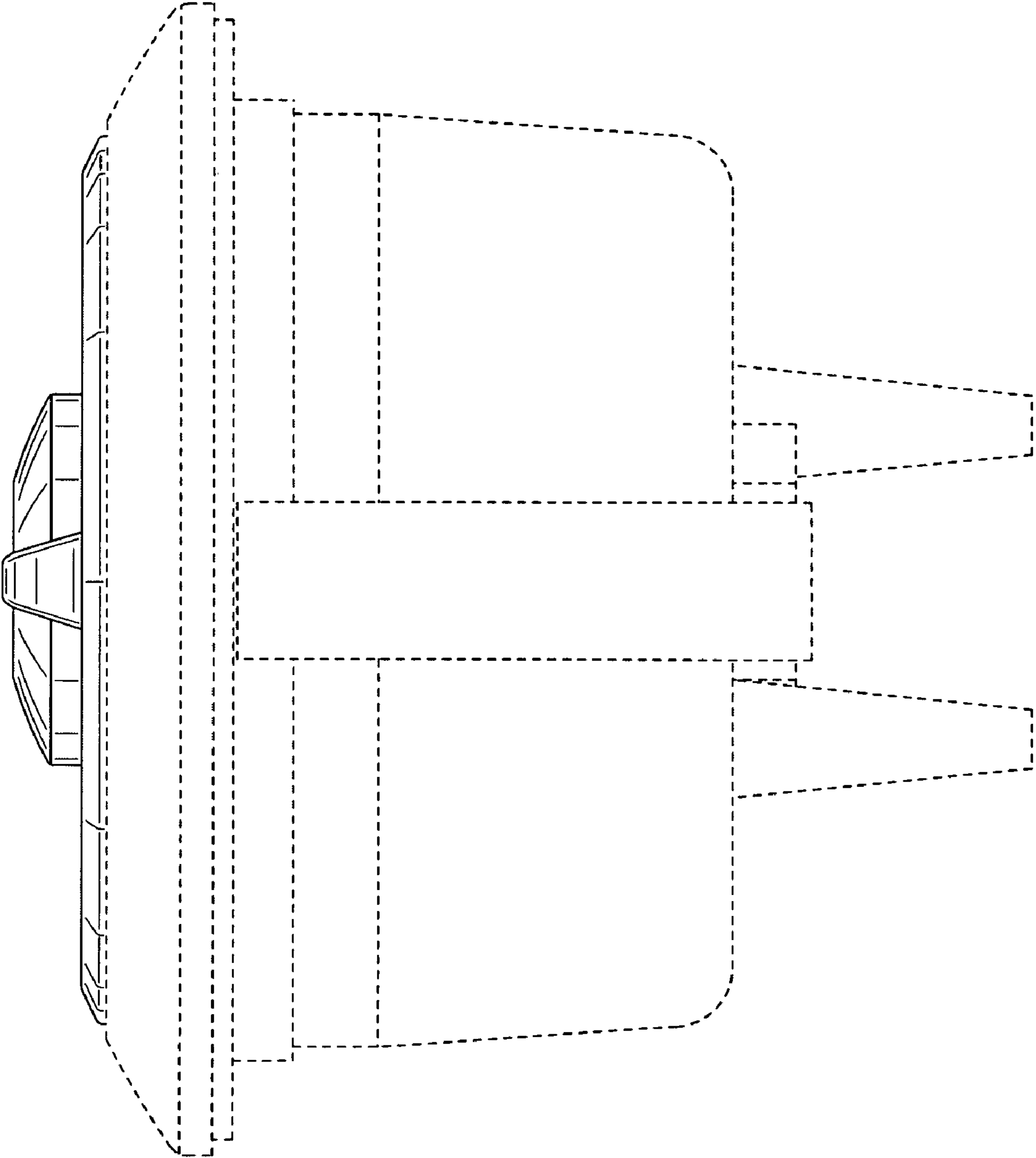


FIG.5

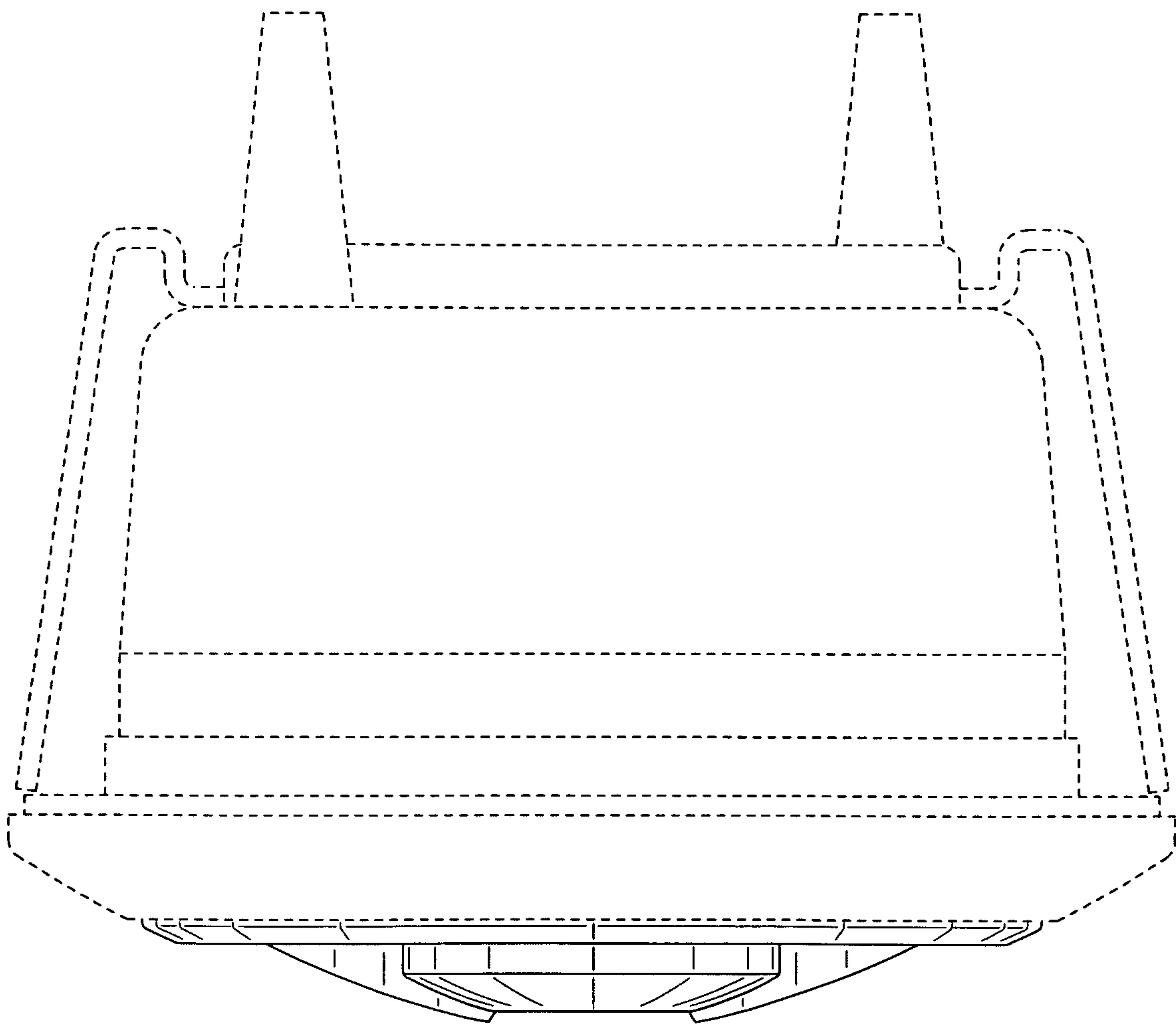


FIG.6

