



US00D589029S

(12) **United States Design Patent**
Lee

(10) **Patent No.:** **US D589,029 S**
(45) **Date of Patent:** **** Mar. 24, 2009**

- (54) **SPEAKER**
- (75) Inventor: **Chien-Kuo Lee**, Taoyuan County (TW)
- (73) Assignee: **Hannspree, Inc.** (TW)
- (**) Term: **14 Years**
- (21) Appl. No.: **29/306,837**
- (22) Filed: **Apr. 17, 2008**

D295,861 S * 5/1988 Kubota D14/225
 D432,527 S * 10/2000 DeLeon D14/225
 D540,779 S * 4/2007 Joseph D14/211

* cited by examiner

Primary Examiner—Nanda Bondade
 (74) *Attorney, Agent, or Firm*—Cameron H. Tousi; Venable LLP

- (51) **LOC (9) Cl.** **14-01**
- (52) **U.S. Cl.** **D14/207; D14/211**
- (58) **Field of Classification Search** D14/204,
 D14/207, 210–216, 172, 225–229; 181/143–144,
 181/147–148, 150–153, 157, 198–199, 158,
 181/242; 381/300–303, 306, 332–333, 336,
 381/345, 361–364, 386–388
 See application file for complete search history.

(56) **References Cited**

U.S. PATENT DOCUMENTS

D154,781 S * 8/1949 Karstadt D14/225
 D185,712 S * 7/1959 Kamp D14/225

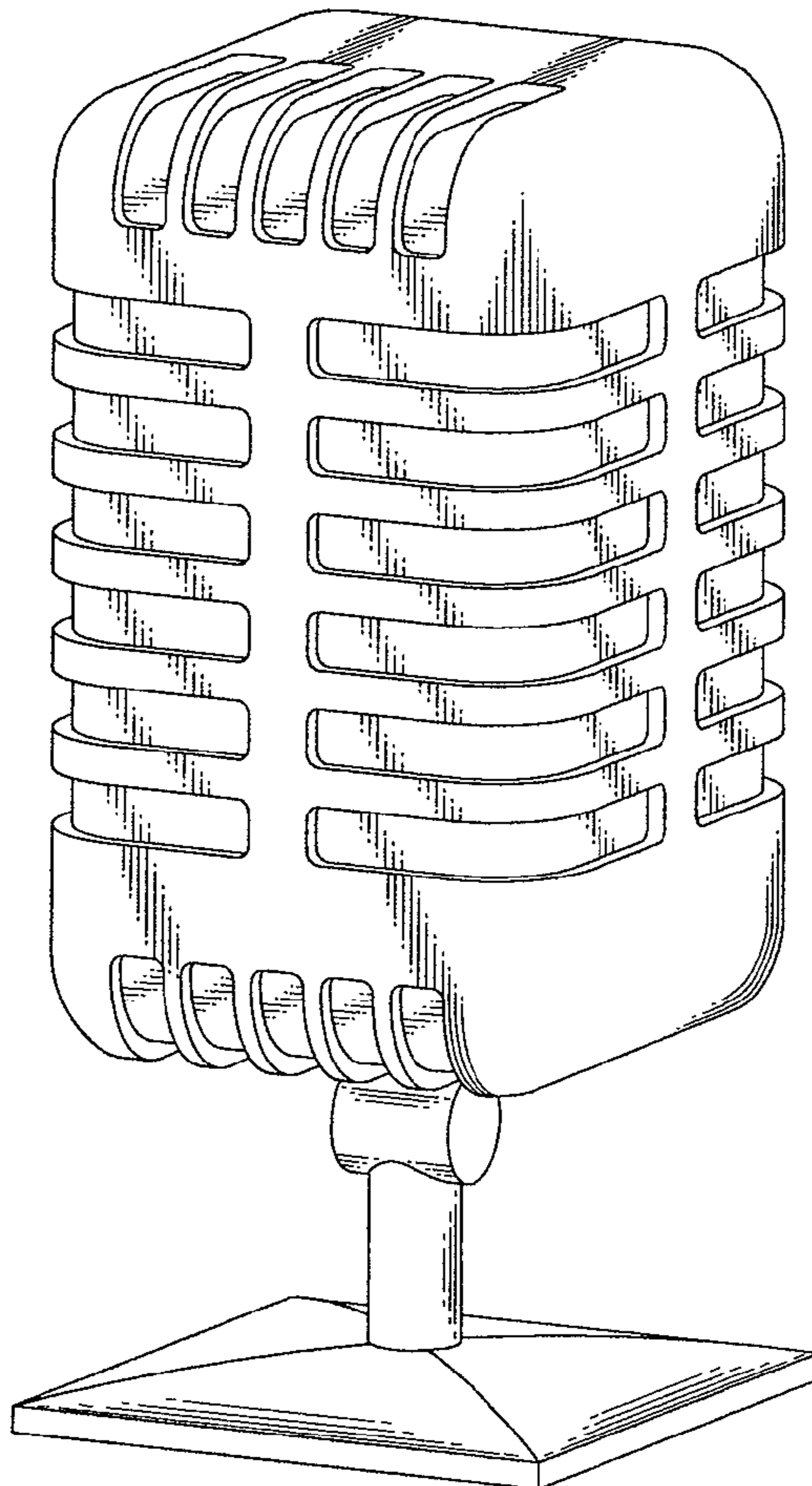
(57) **CLAIM**

The ornamental design for a speaker, as shown and described.

DESCRIPTION

FIG. 1 is a front perspective view of a speaker showing my new design;
 FIG. 2 is a front elevational view thereof;
 FIG. 3 is a rear elevational view thereof;
 FIG. 4 is a left side elevational view thereof;
 FIG. 5 is a right side elevational view thereof;
 FIG. 6 is a top plan view thereof; and,
 FIG. 7 is a bottom plan view thereof.

1 Claim, 7 Drawing Sheets



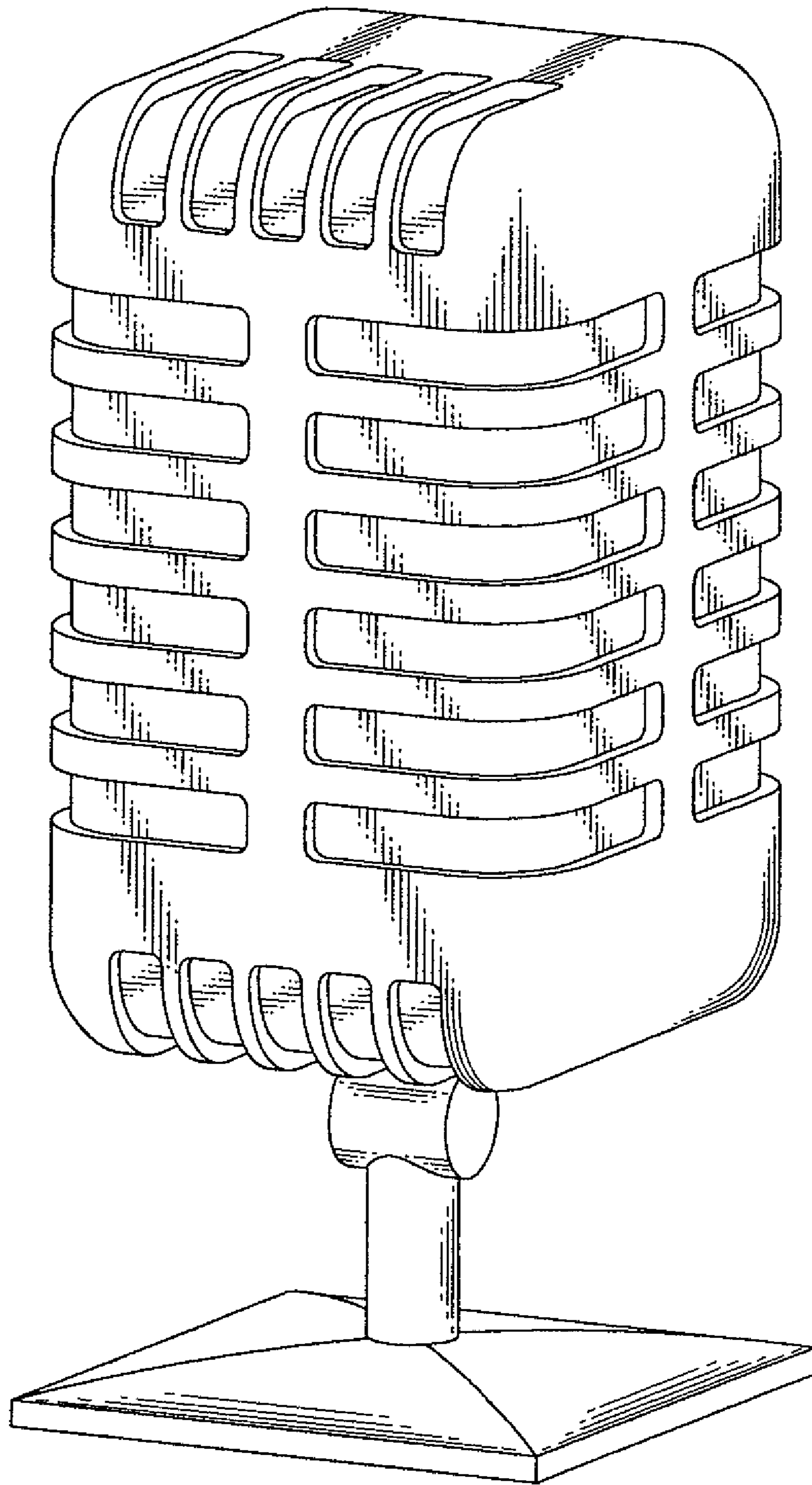


Fig. 1

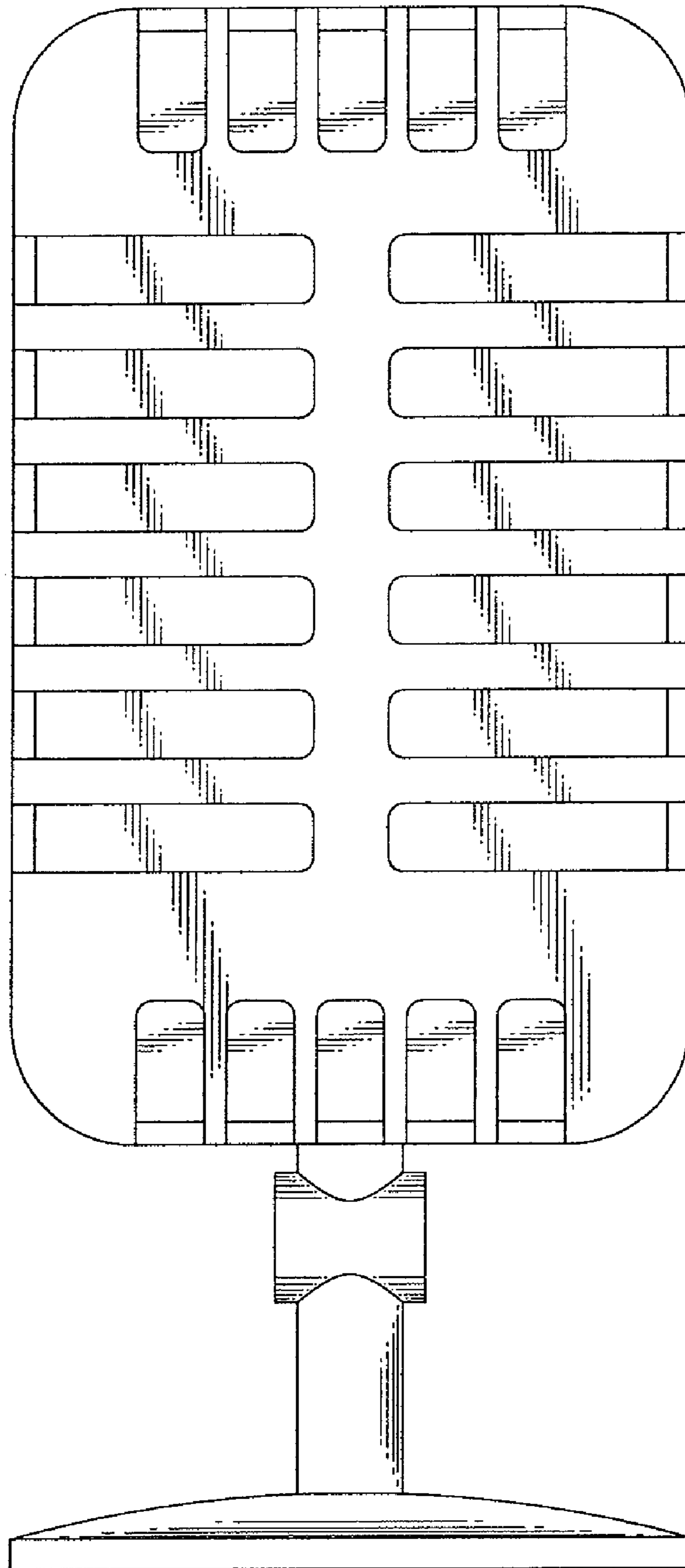


Fig. 2

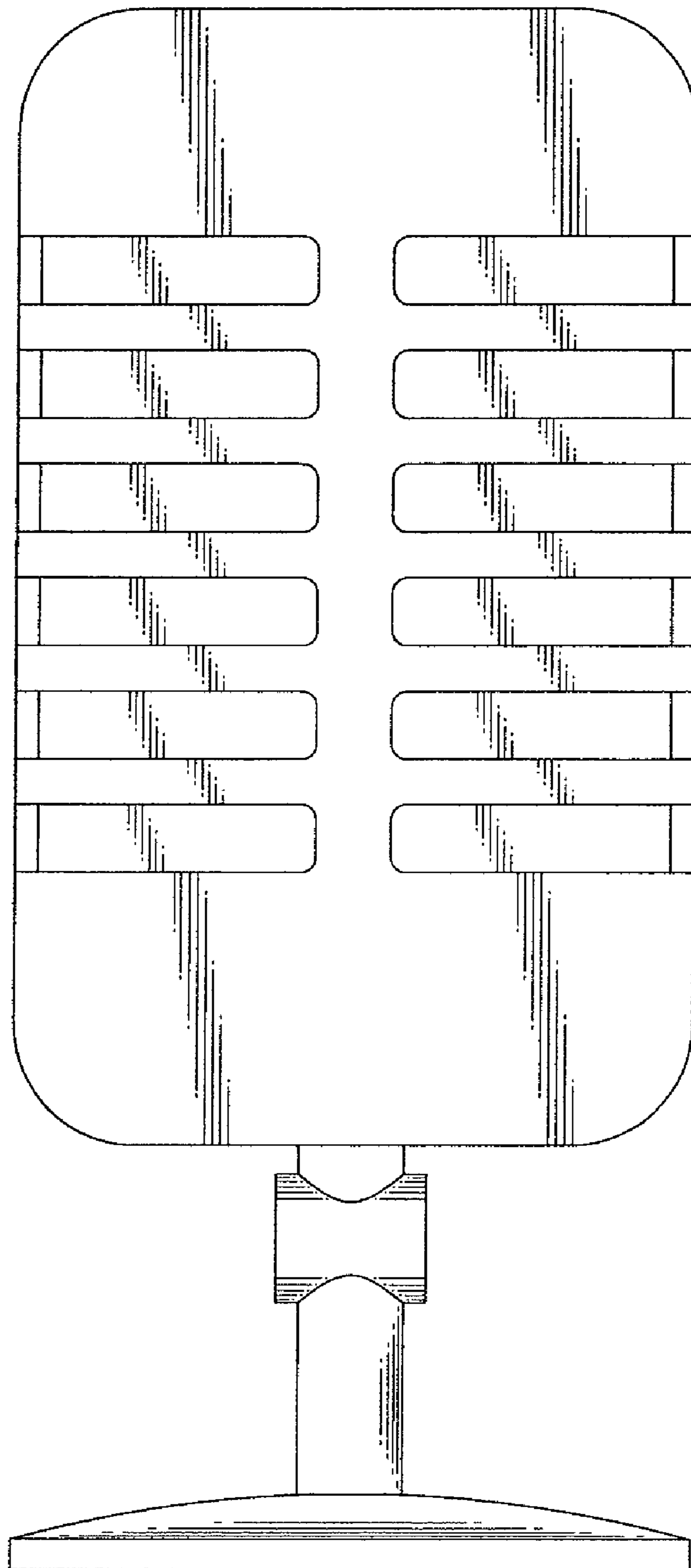


Fig. 3

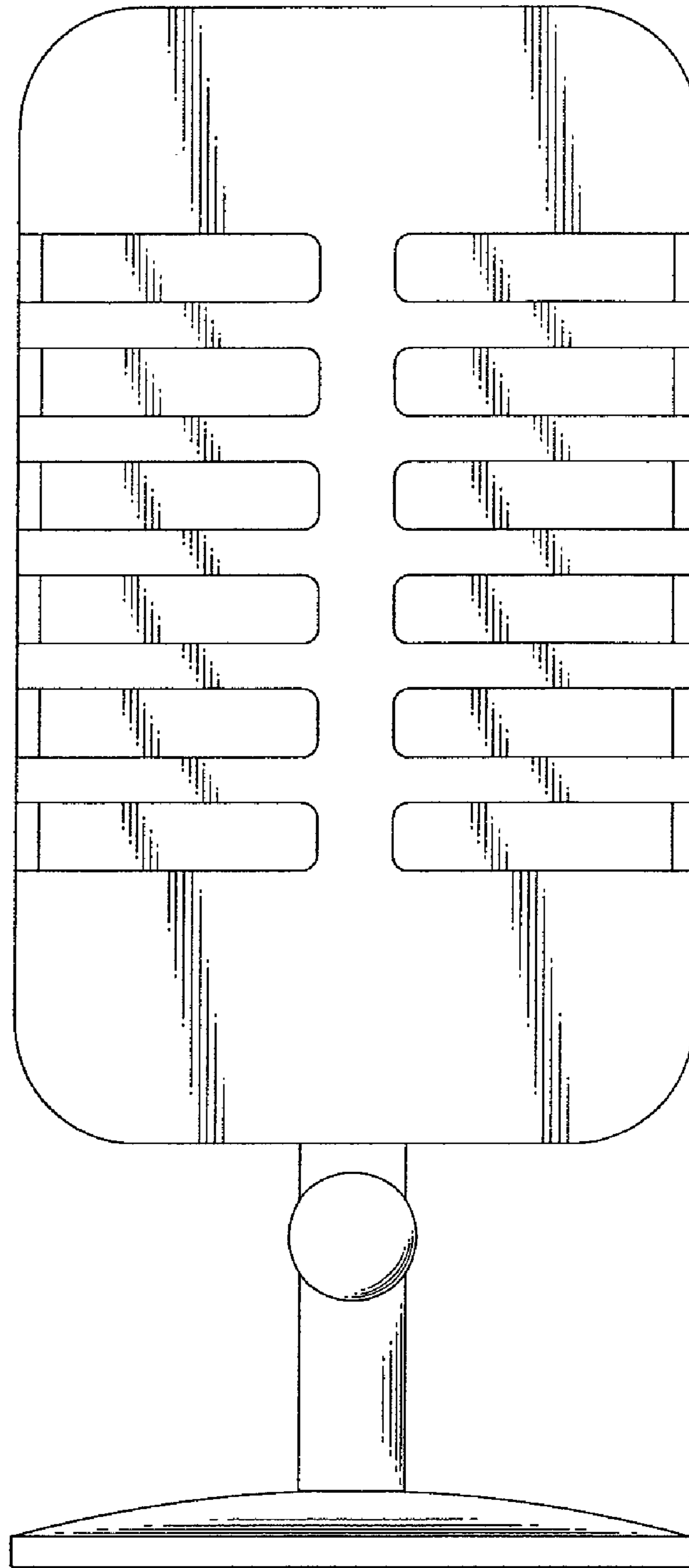


Fig. 4

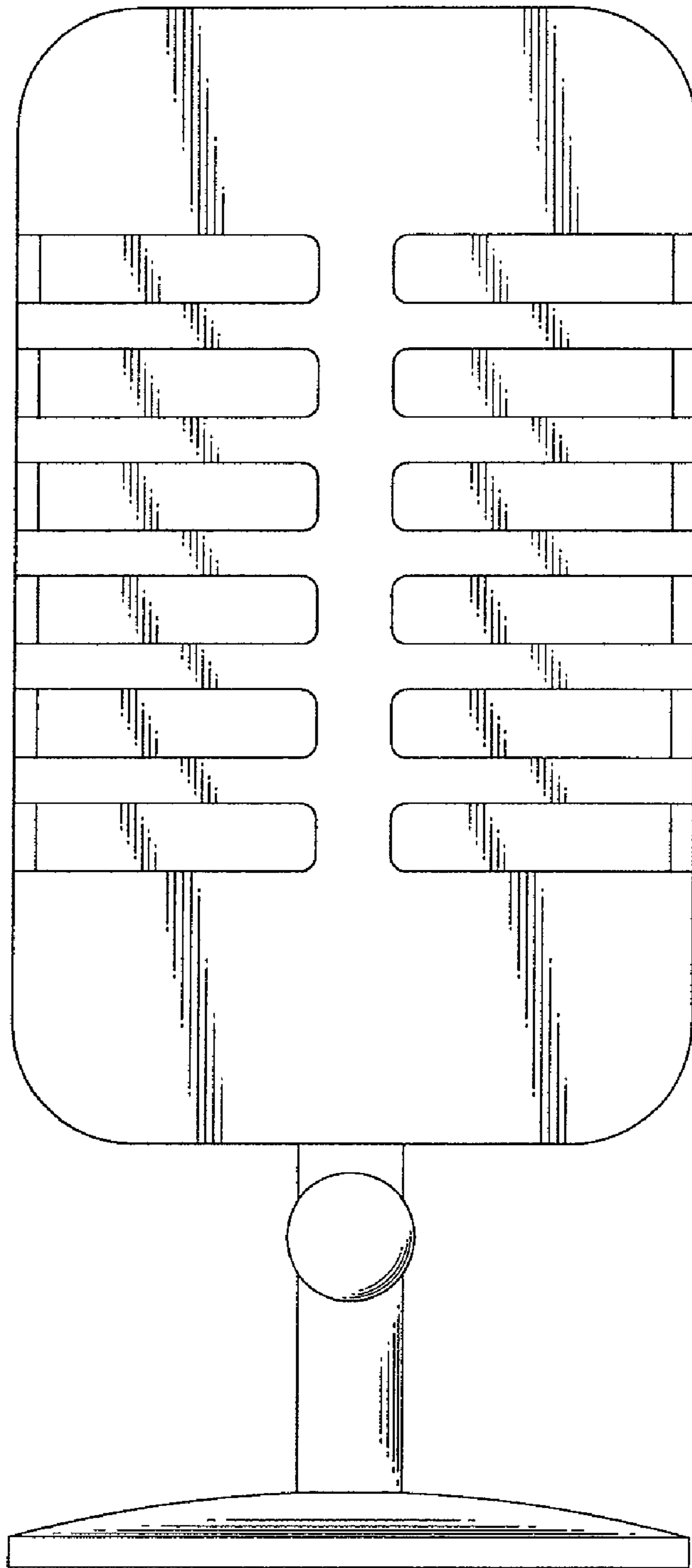


Fig. 5

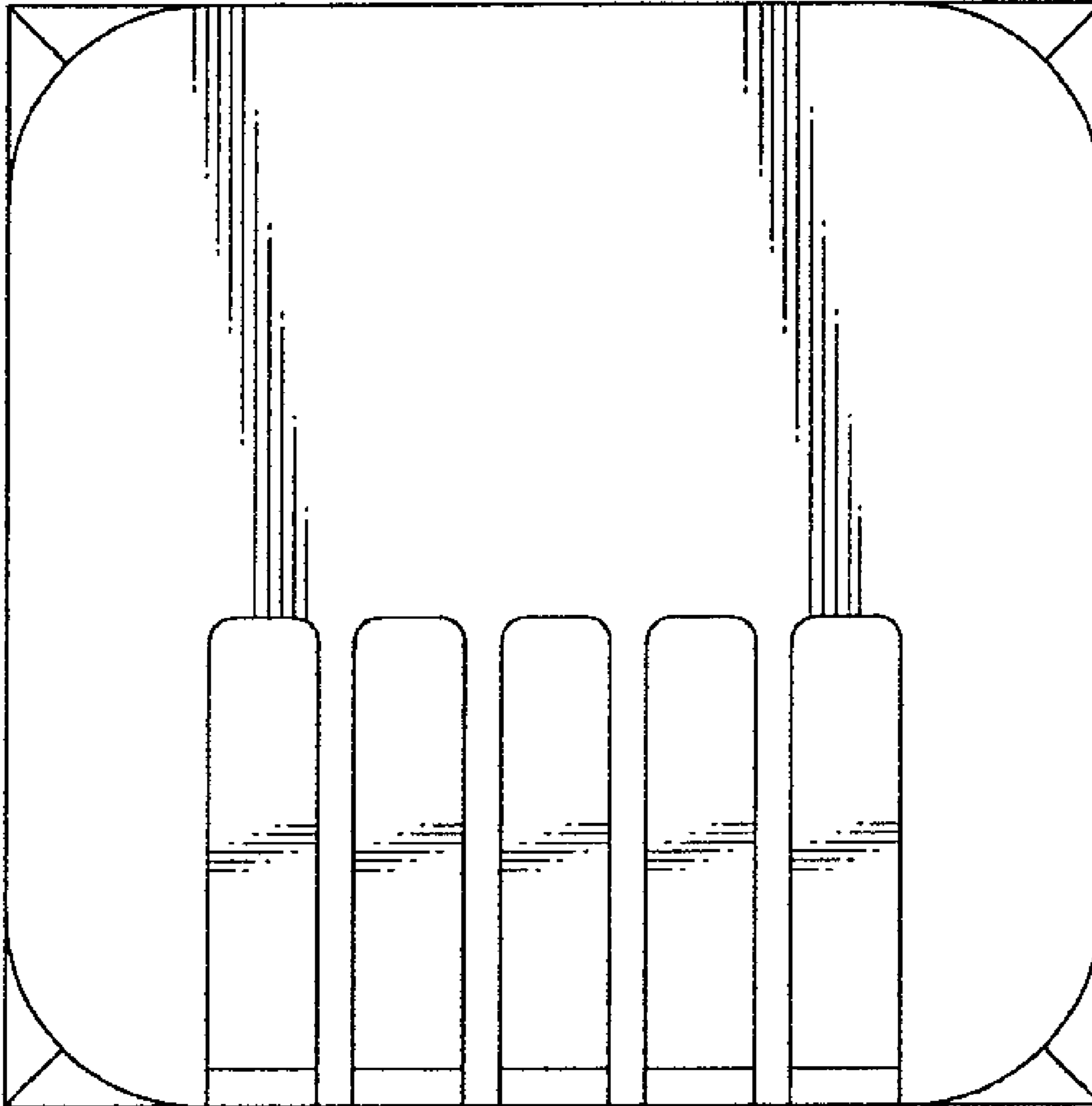


Fig. 6

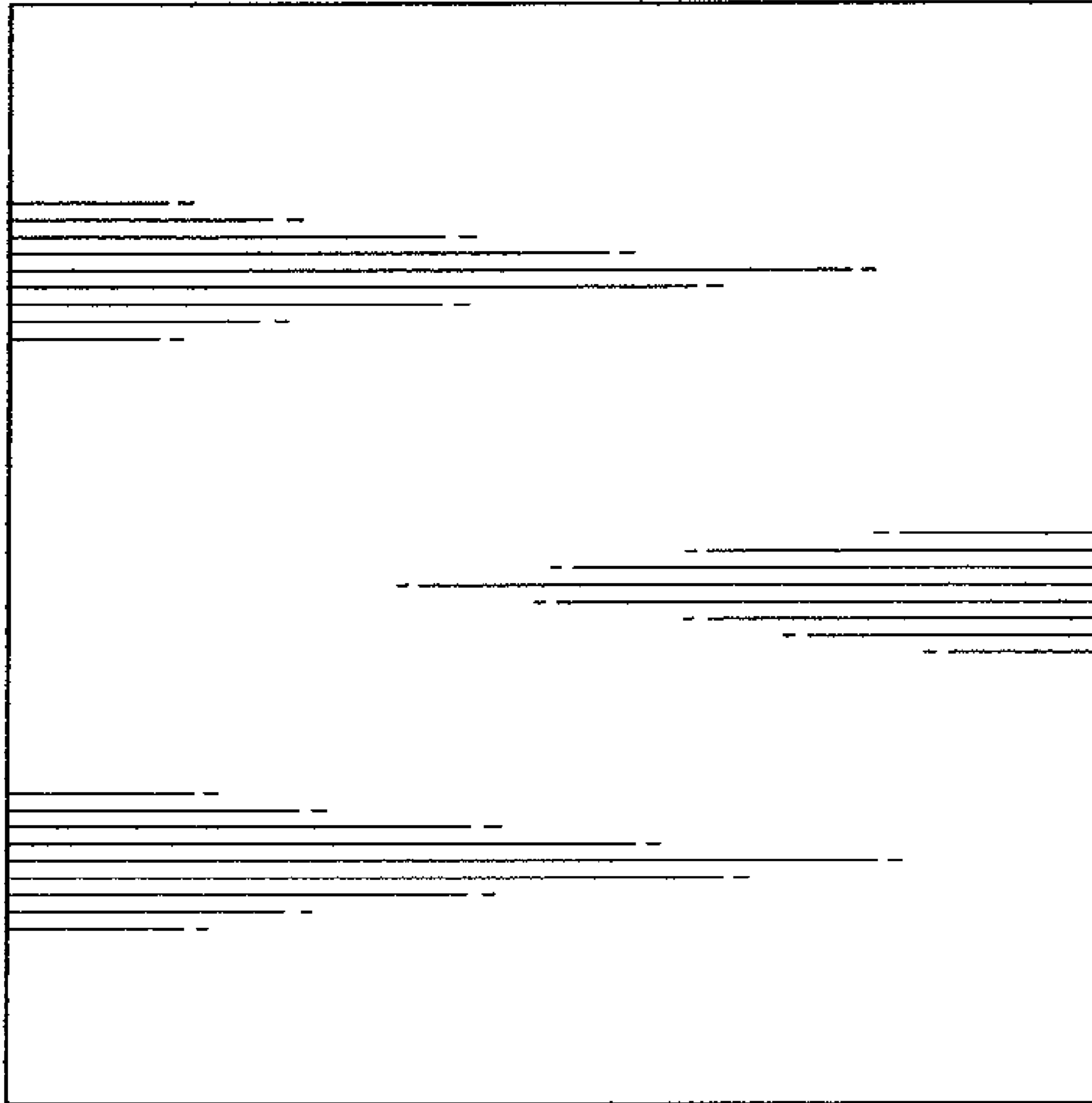


Fig. 7