



US00D589028S

(12) **United States Design Patent**
Haapapuro et al.

(10) **Patent No.:** **US D589,028 S**
(45) **Date of Patent:** **** Mar. 24, 2009**

(54) **LOW PROFILE MICROPHONE TIP ASSEMBLY**

(75) Inventors: **Andrew Haapapuro**, Arlington Heights, IL (US); **Viorel Drambarean**, Skokie, IL (US)

(73) Assignee: **Etymotic Research, Inc.**, Elk Grove Village, IL (US)

(**) Term: **14 Years**

(21) Appl. No.: **29/299,751**

(22) Filed: **Jan. 3, 2008**

(51) **LOC (9) Cl.** **14-01**

(52) **U.S. Cl.** **D14/206; D14/225**

(58) **Field of Classification Search** D14/188, D14/192, 218, 226, 227, 228, 229, 299, 205, D14/206, 223; D13/168; 181/158, 242; 379/430, 431; D10/106; 381/91, 168, 169, 381/170, 357, 361, 362, 353, 369

See application file for complete search history.

(56) **References Cited**

U.S. PATENT DOCUMENTS

3,588,384	A *	6/1971	Negley	381/375
D318,670	S *	7/1991	Taniguchi	D14/205
D326,655	S *	6/1992	Iribe	D14/192
5,268,965	A	12/1993	Badie et al.		
D344,522	S *	2/1994	Taniguchi	D14/218
5,329,593	A	7/1994	Lazzeroni et al.		
D368,074	S *	3/1996	Lee et al.	D13/168
D368,719	S	4/1996	Luther		
D387,770	S	12/1997	Liao		
D389,153	S	1/1998	Litzau		
D392,979	S	3/1998	Inukai		
D393,643	S	4/1998	Chiang		

5,799,096	A	8/1998	Liao		
D415,115	S *	10/1999	Kawashima	D13/168
D417,869	S *	12/1999	Yasutomi	D14/168
D433,404	S *	11/2000	Thakur	D14/218
D448,361	S	9/2001	Bergfeldt		
D462,945	S *	9/2002	Skulley	D14/218
D463,787	S *	10/2002	Beraut et al.	D14/218
D464,952	S *	10/2002	Beraut et al.	D14/225

(Continued)

Primary Examiner—Paula Greene

(74) *Attorney, Agent, or Firm*—McAndrews, Held & Malloy, Ltd.

(57) **CLAIM**

The ornamental design for a low profile microphone tip assembly, as shown and described.

DESCRIPTION

FIG. 1 is a perspective view of a low profile microphone tip assembly showing my new design, the broken line showing of the human form is for illustrative purposes only and forms no part of the claimed design;

FIG. 2 is a perspective view of the microphone tip assembly thereof;

FIG. 3 is a perspective view of the microphone tip assembly thereof;

FIG. 4 is a rear elevation view thereof;

FIG. 5 is a top plan view thereof;

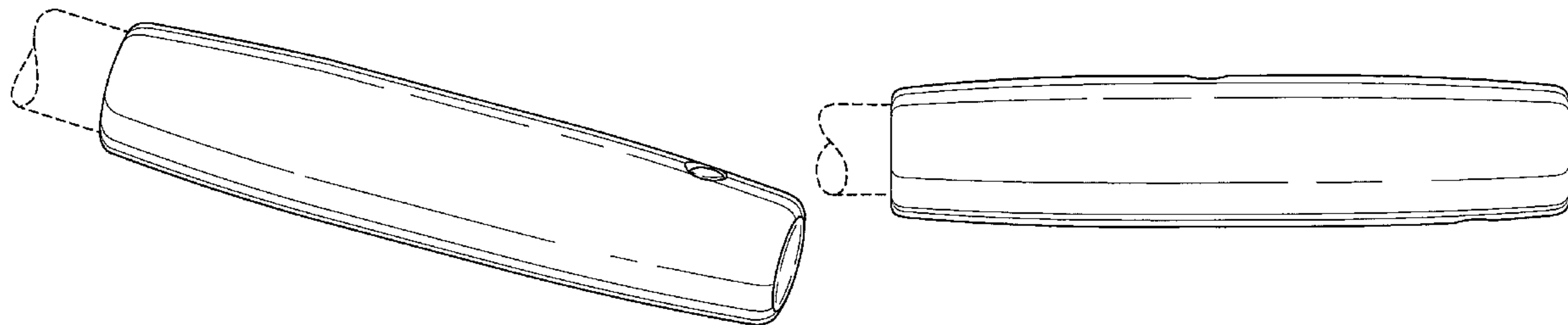
FIG. 6 is a front elevation view thereof;

FIG. 7 is a left side elevation view thereof; and,

FIG. 8 is a right side elevation view thereof.

The even broken lines in the drawings are for illustrative purposes only and form no part of the claimed design.

1 Claim, 2 Drawing Sheets



US D589,028 S

Page 2

U.S. PATENT DOCUMENTS

D465,476 S *	11/2002	Golding et al.	D14/136	D504,419 S *	4/2005	Bey et al.	D14/223
D465,477 S *	11/2002	Beraut et al.	D14/218	D505,414 S *	5/2005	Ko et al.	D14/223
D467,907 S *	12/2002	Marion et al.	D14/223	D517,534 S *	3/2006	Ogura et al.	D14/225
D469,080 S *	1/2003	Kohli	D14/192	D533,869 S	12/2006	Drambarean et al.	
D469,426 S	1/2003	Hyde et al.		D540,313 S *	4/2007	Rausch et al.	D14/225
D476,307 S *	6/2003	Ng	D14/192	D566,051 S *	4/2008	Govindasamy	D13/168
6,647,118 B1	11/2003	Miura et al.		D573,588 S *	7/2008	Warren et al.	D14/225
D497,156 S	10/2004	Bauman et al.					

* cited by examiner



FIG. 1

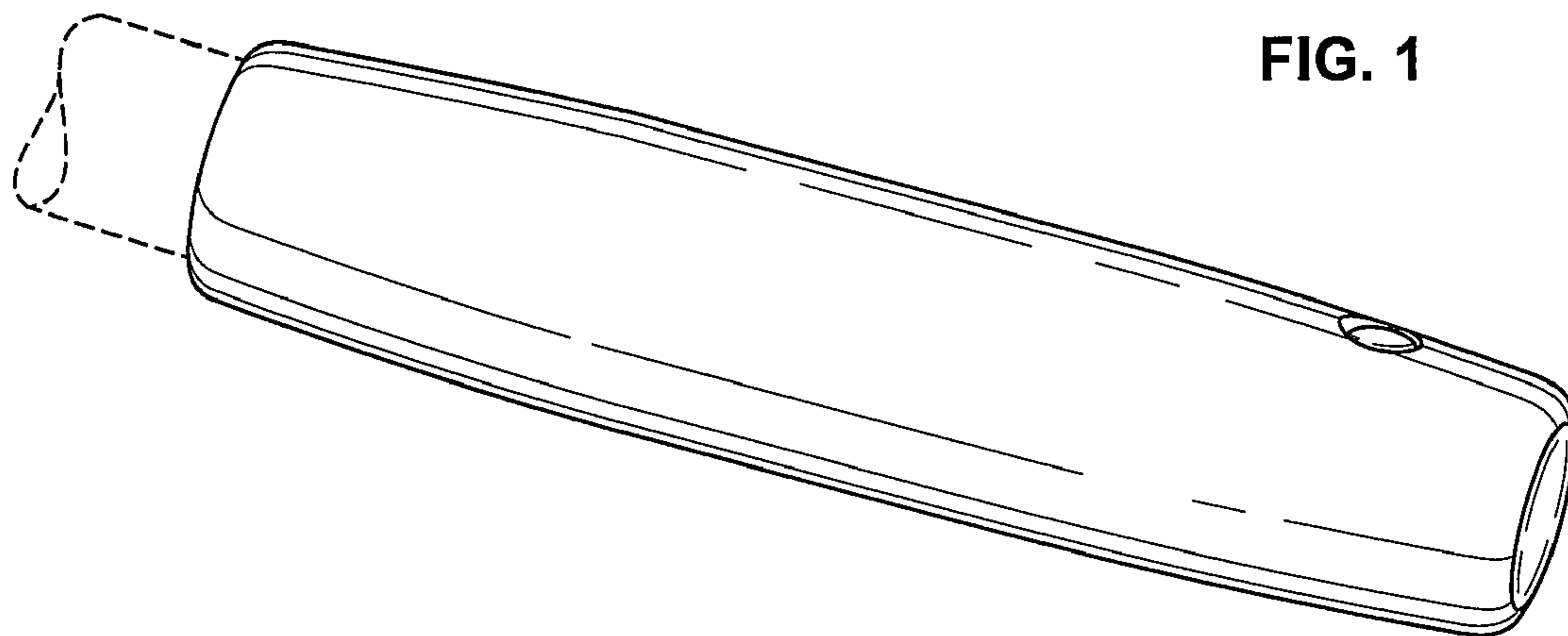


FIG. 2

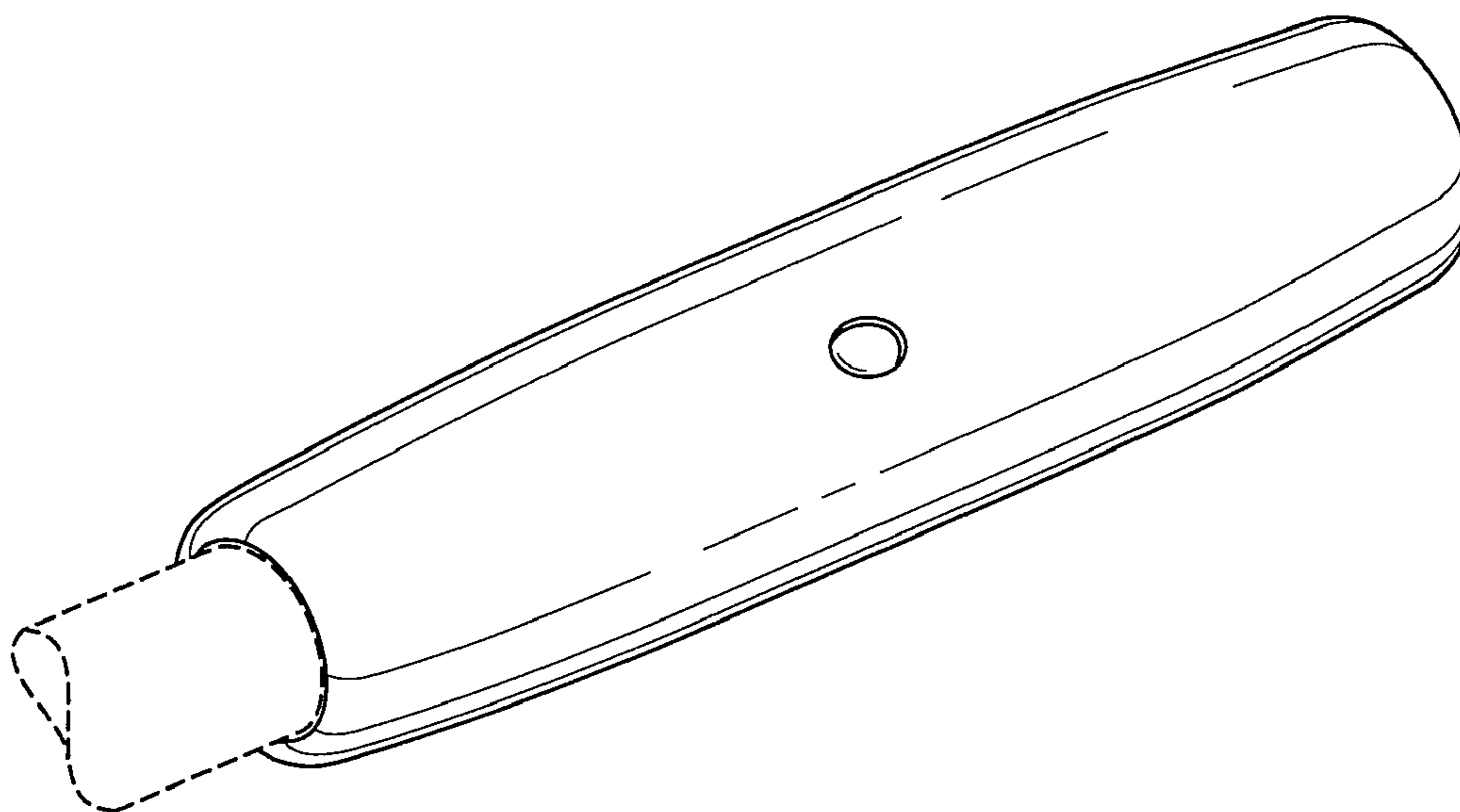


FIG. 3

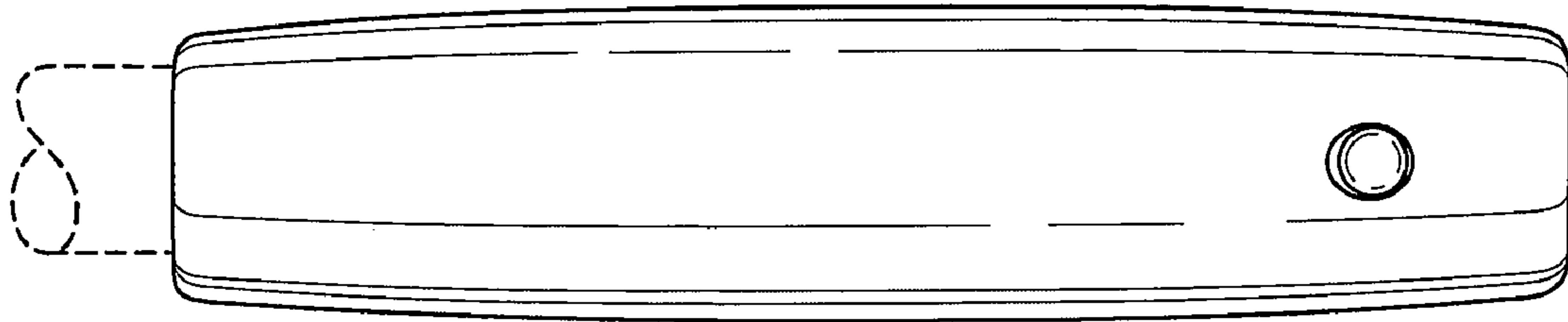


FIG. 4

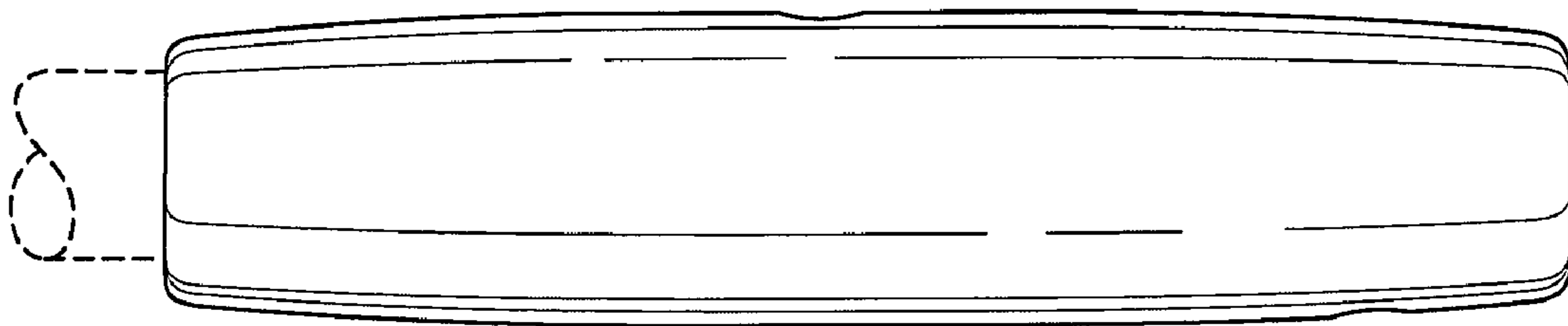


FIG. 5

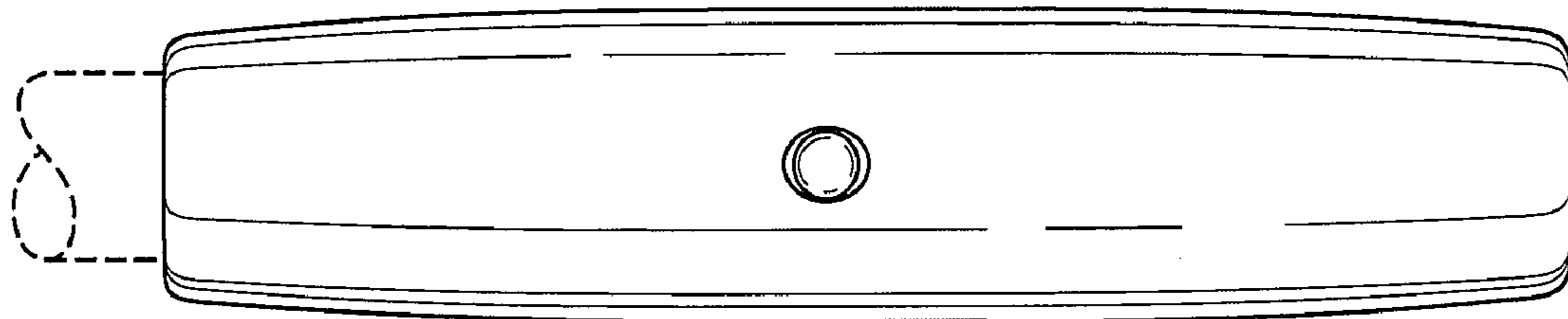


FIG. 6

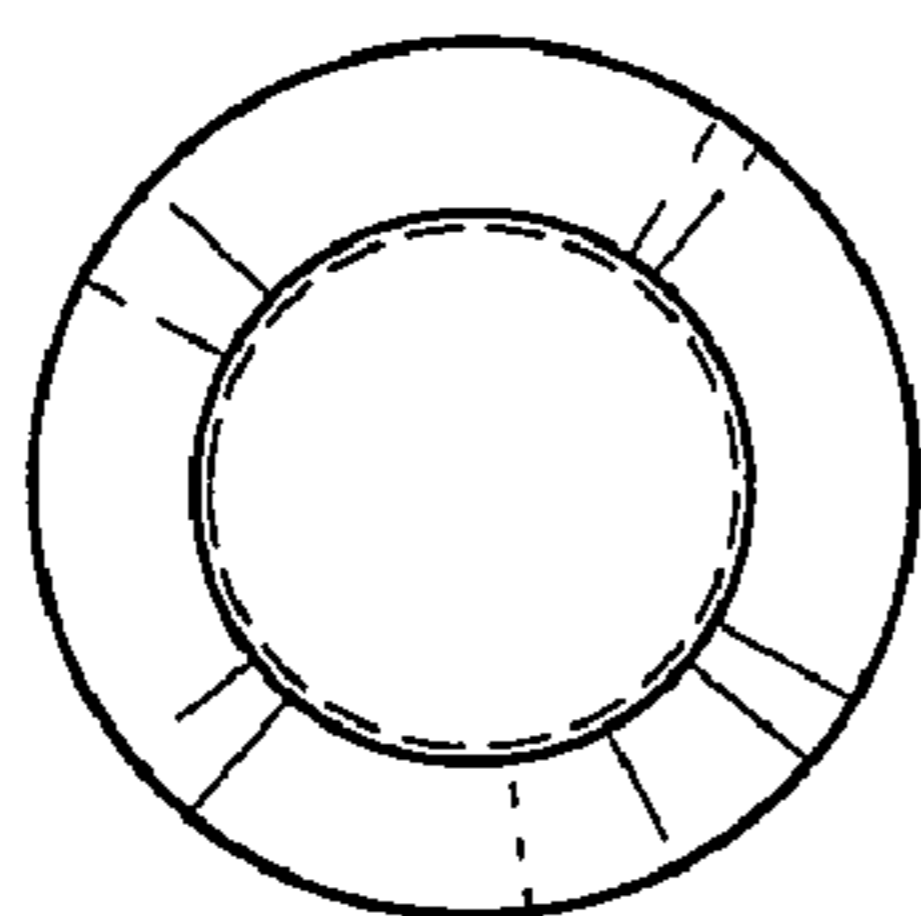


FIG. 7

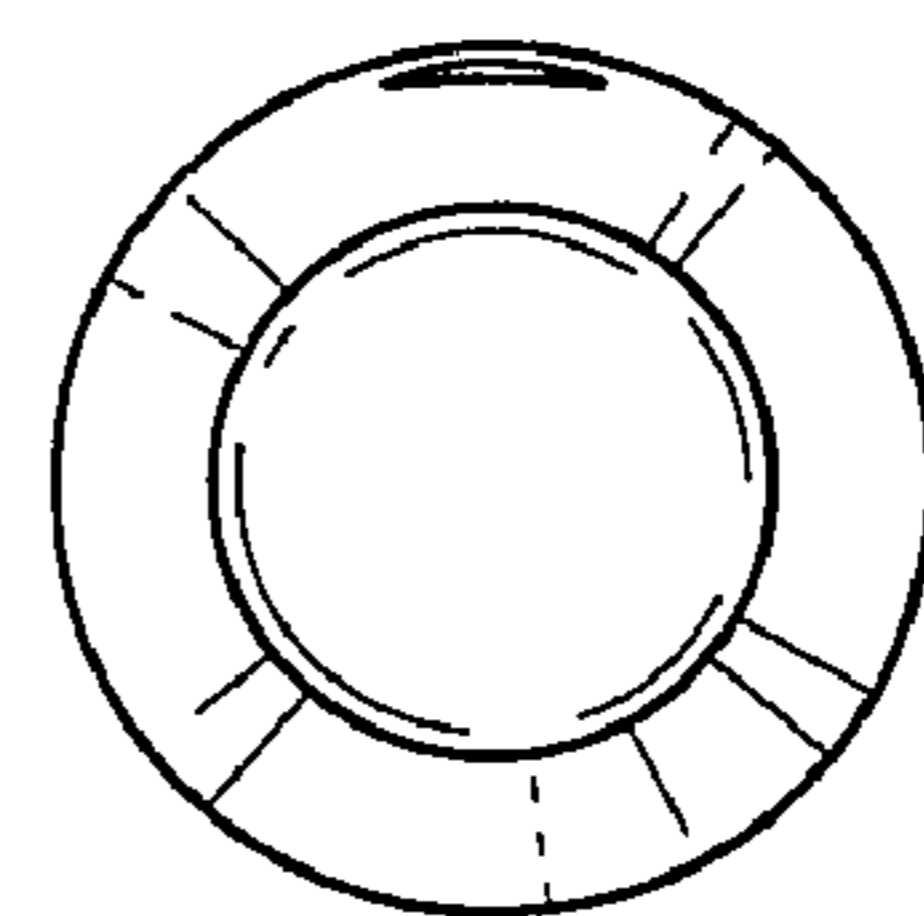


FIG. 8