



US00D589027S

(12) **United States Design Patent**
Gates

(10) **Patent No.:** **US D589,027 S**

(45) **Date of Patent:** **** Mar. 24, 2009**

(54) **HIGH FIDELITY AMPLIFIER**

D558,732 S * 1/2008 Salerno D14/188

(76) Inventor: **Stephen I Gates**, 8050 Split Pine,
Houston, TX (US) 77040

* cited by examiner

Primary Examiner—Stella M Reid

Assistant Examiner—Keli L Hill

(**) Term: **14 Years**

(21) Appl. No.: **29/295,835**

(57) **CLAIM**

(22) Filed: **Oct. 9, 2007**

The ornamental design for a high fidelity amplifier, as shown and described.

(51) **LOC (9) Cl.** **14-03**

(52) **U.S. Cl.** **D14/189**

(58) **Field of Classification Search** D14/168,
D14/169, 179, 188, 189, 194–198, 215, 217,
D14/257, 265, 299; D13/112, 113; D15/1–6;
330/1 R, 3, 4, 250; 381/86, 120; 455/344–351
See application file for complete search history.

DESCRIPTION

FIG. 1 is a perspective view of a high fidelity amplifier, embodying my new design;

FIG. 2 is a front elevational view thereof;

FIG. 3 is a rear elevational view thereof;

FIG. 4 is a right side elevational view thereof;

FIG. 5 is a left side elevational view thereof;

FIG. 6 is a top plan view thereof; and,

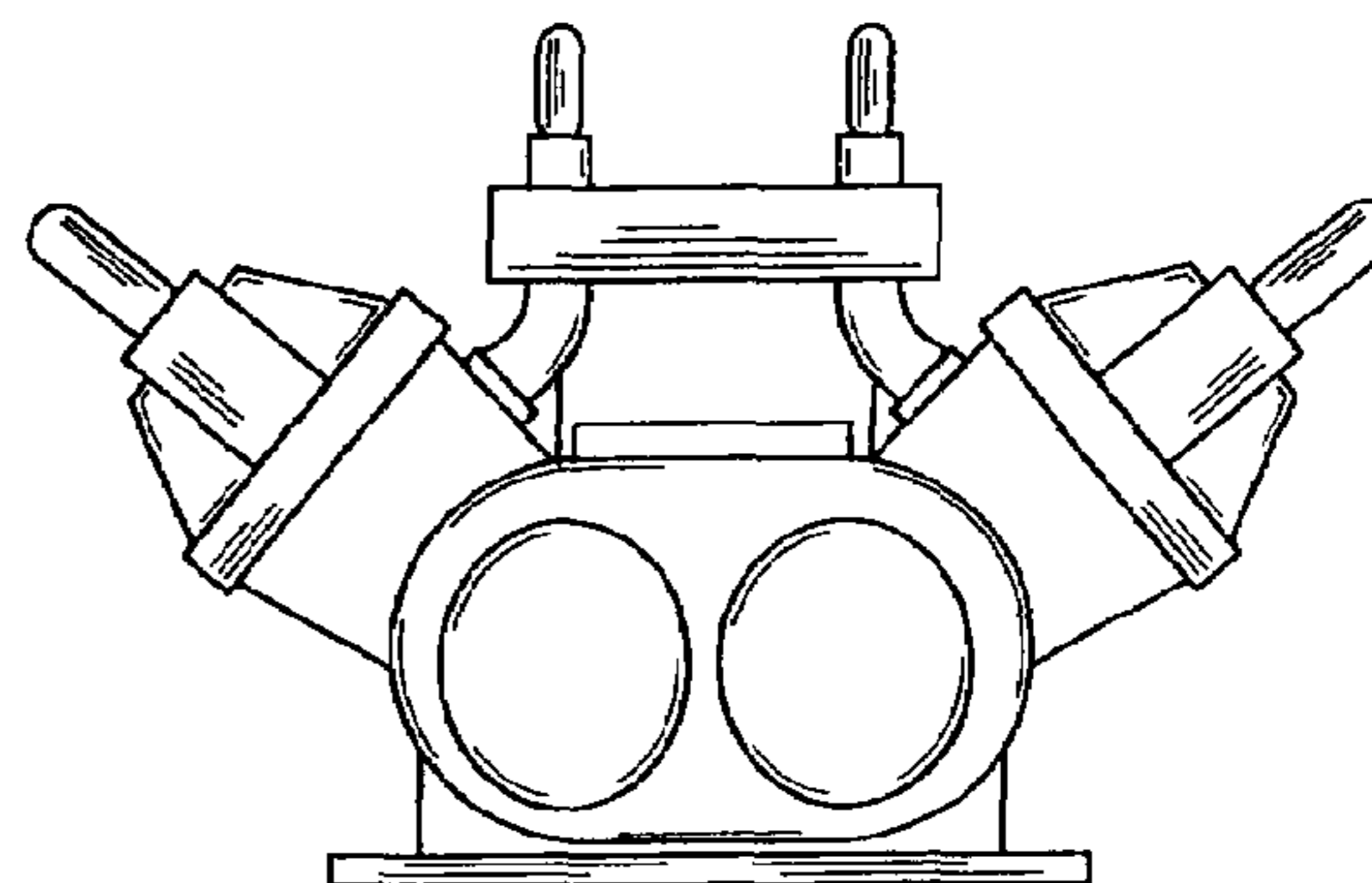
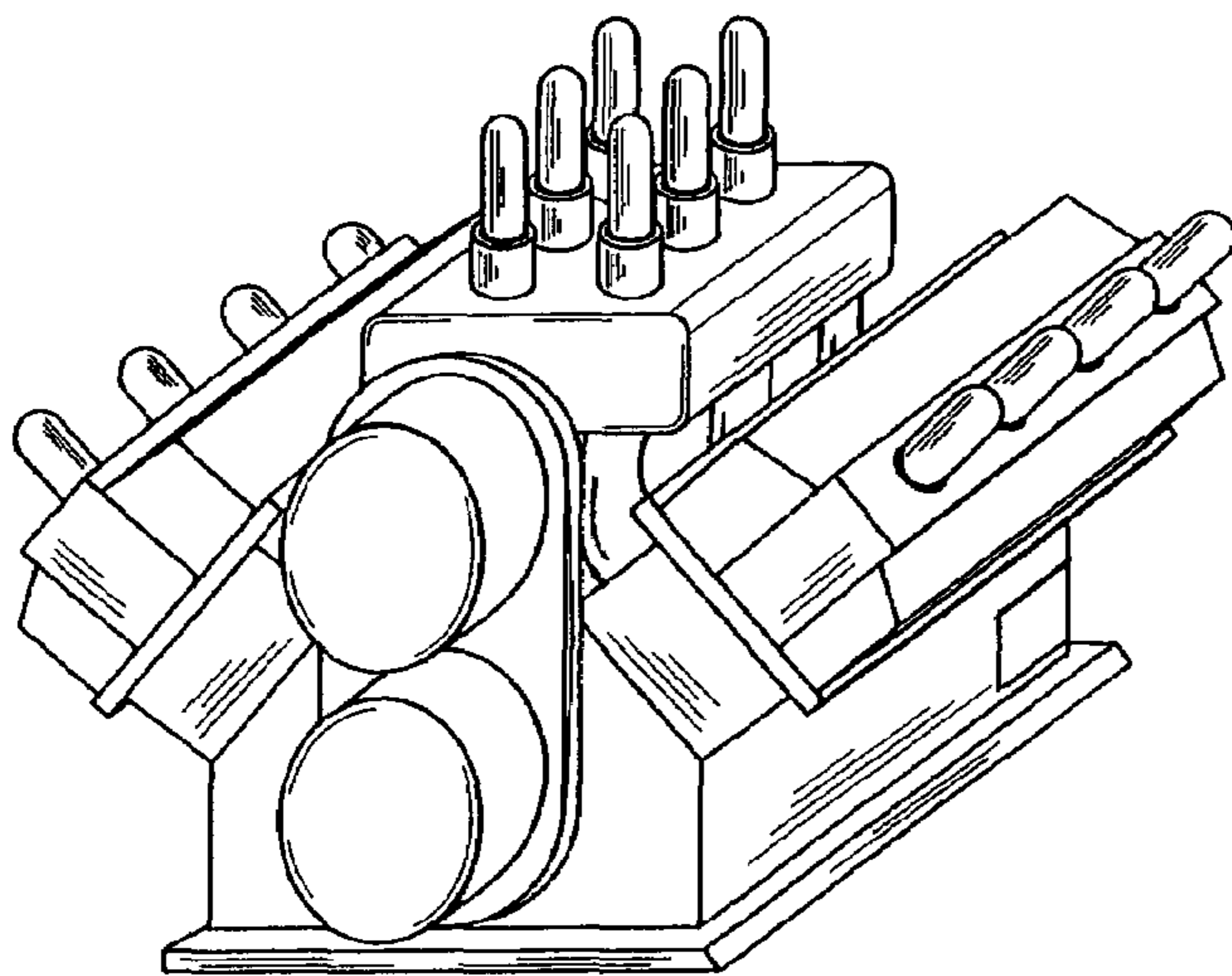
FIG. 7 is a bottom plan view thereof.

(56) **References Cited**

U.S. PATENT DOCUMENTS

D211,066 S *	5/1968	Anelli	D15/1
D224,169 S *	7/1972	Rudd	D15/1
D293,114 S *	12/1987	Brogdon	D15/1
D494,191 S *	8/2004	Aketa et al.	D15/1

1 Claim, 2 Drawing Sheets



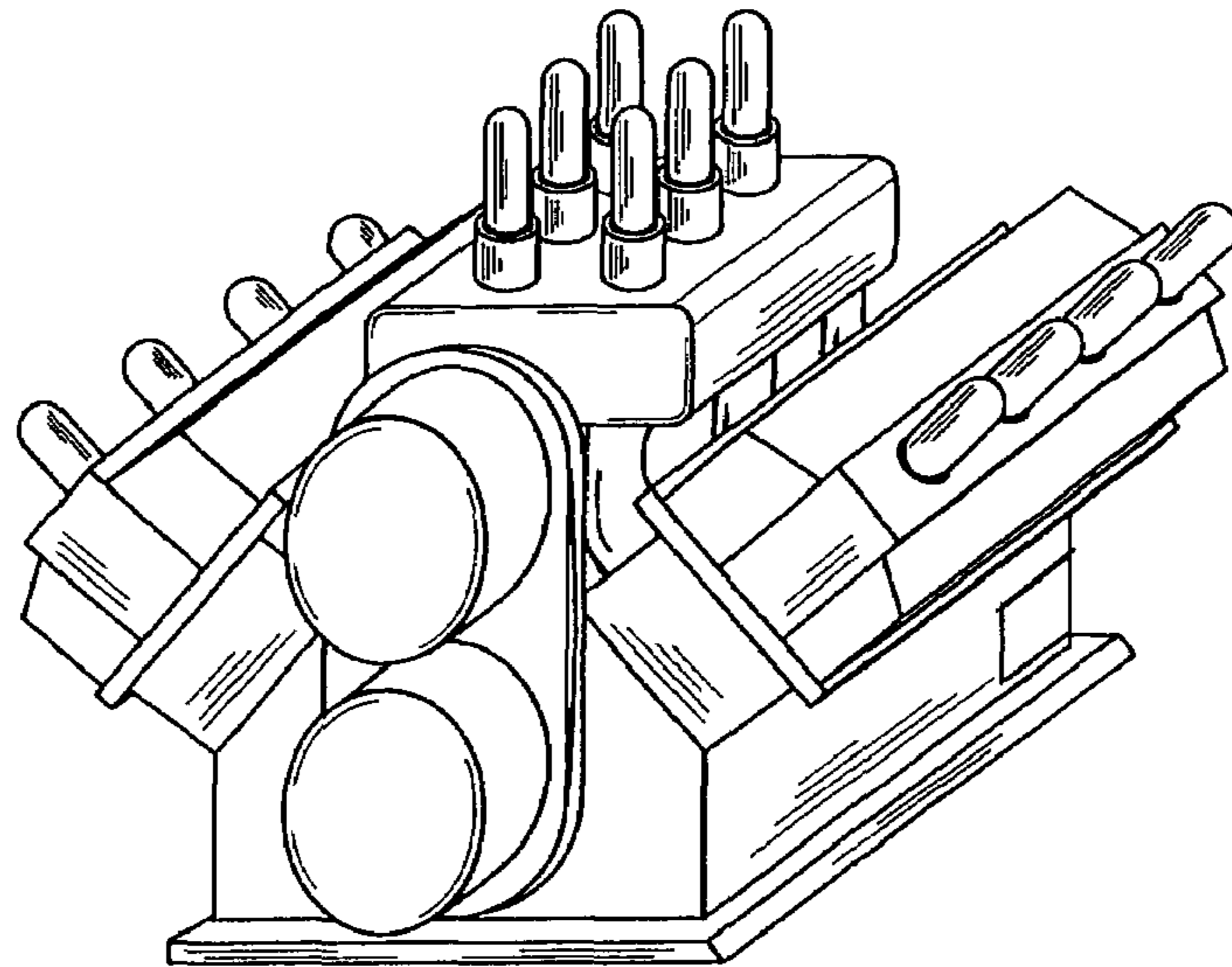


FIG. 1

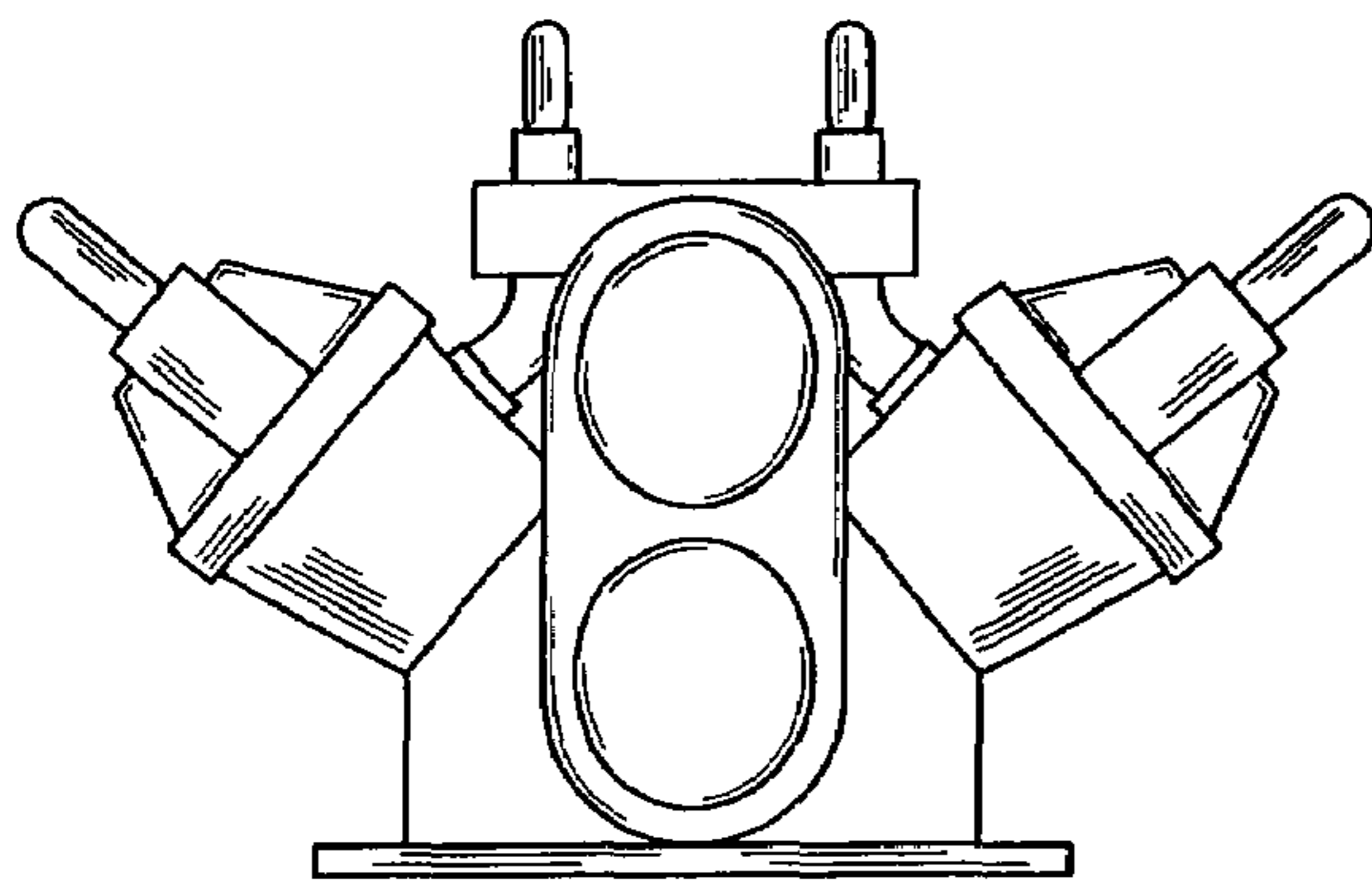


FIG. 2

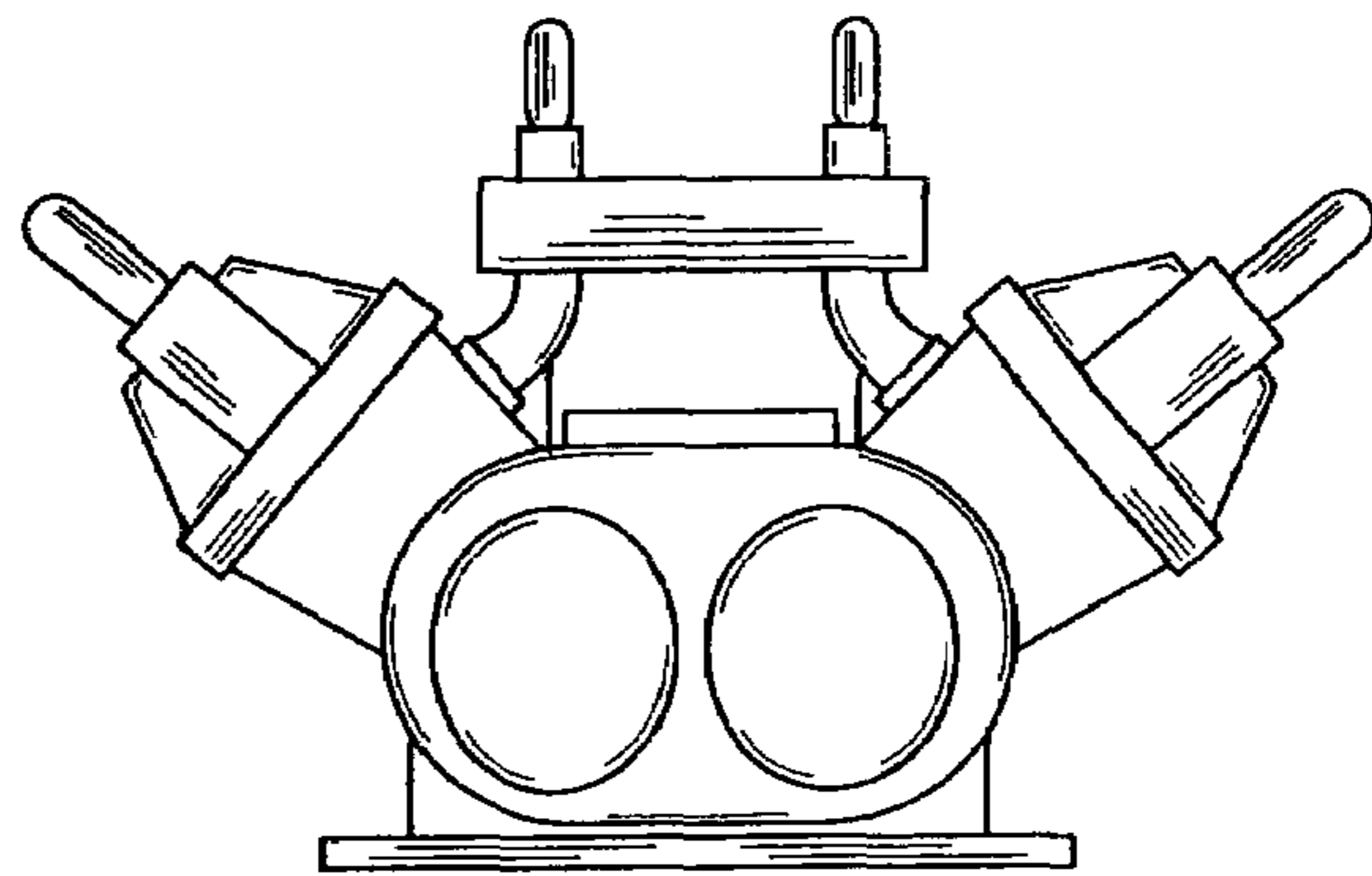


FIG. 3

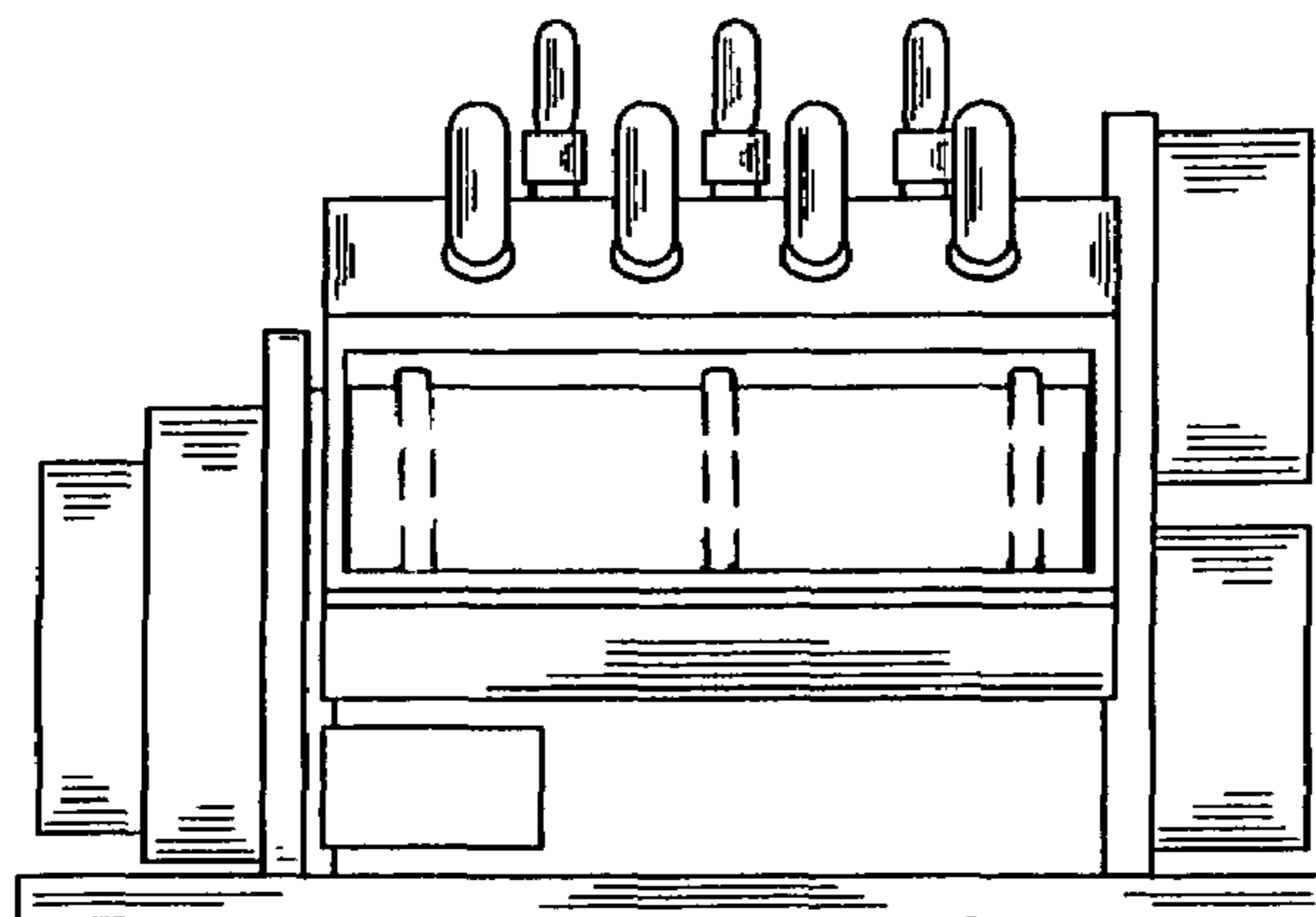


FIG. 4

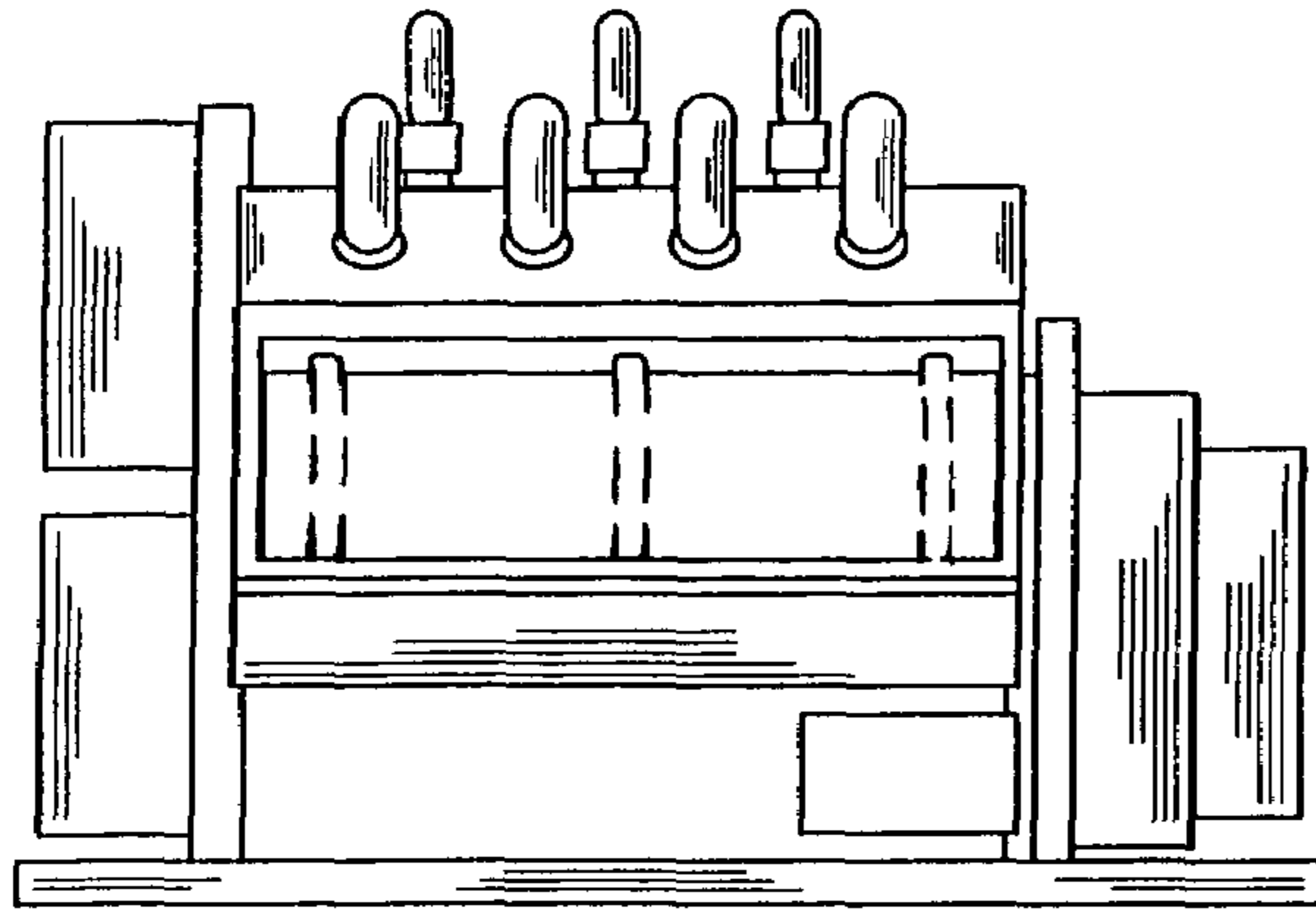


FIG. 5

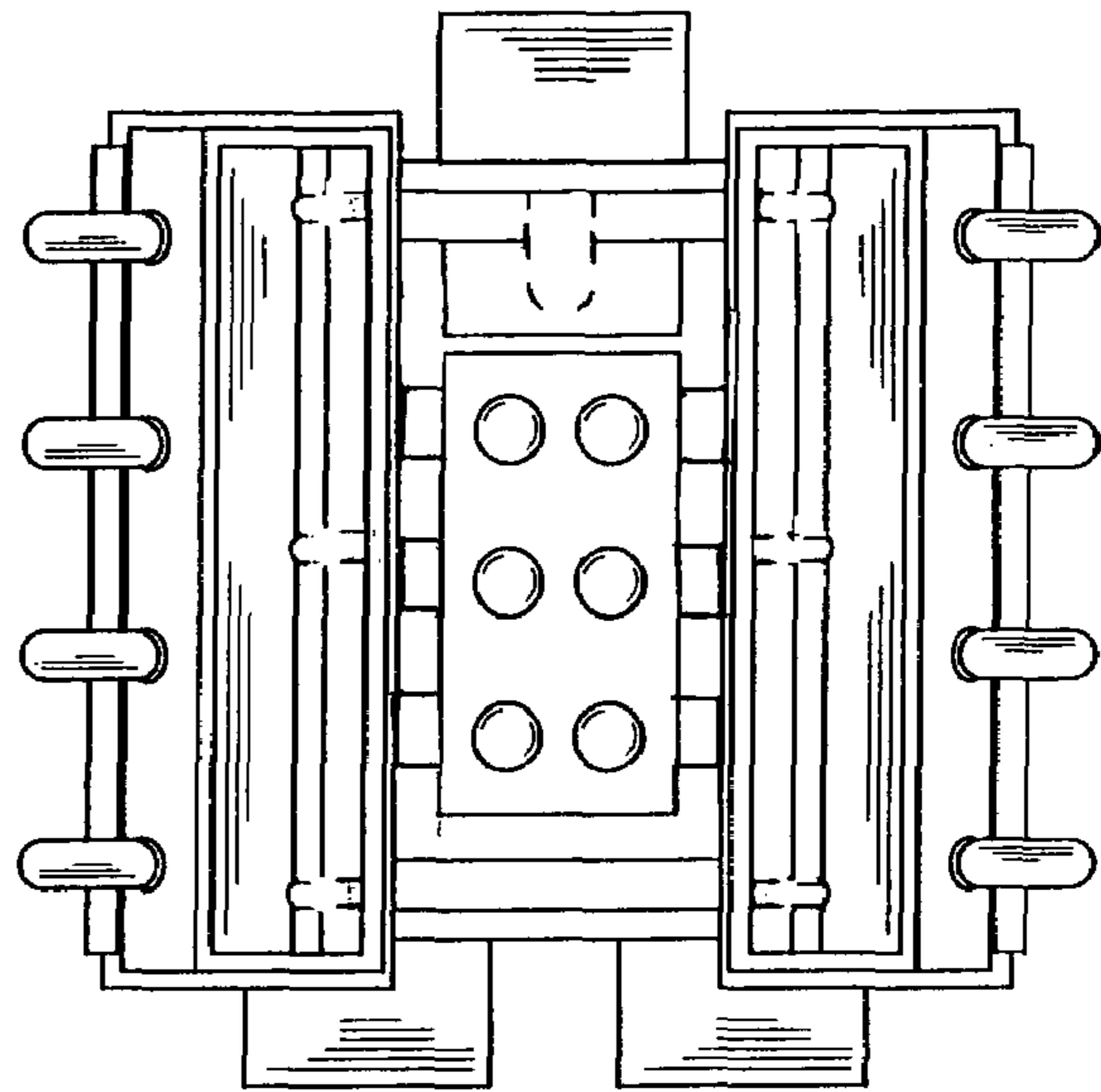


FIG. 6

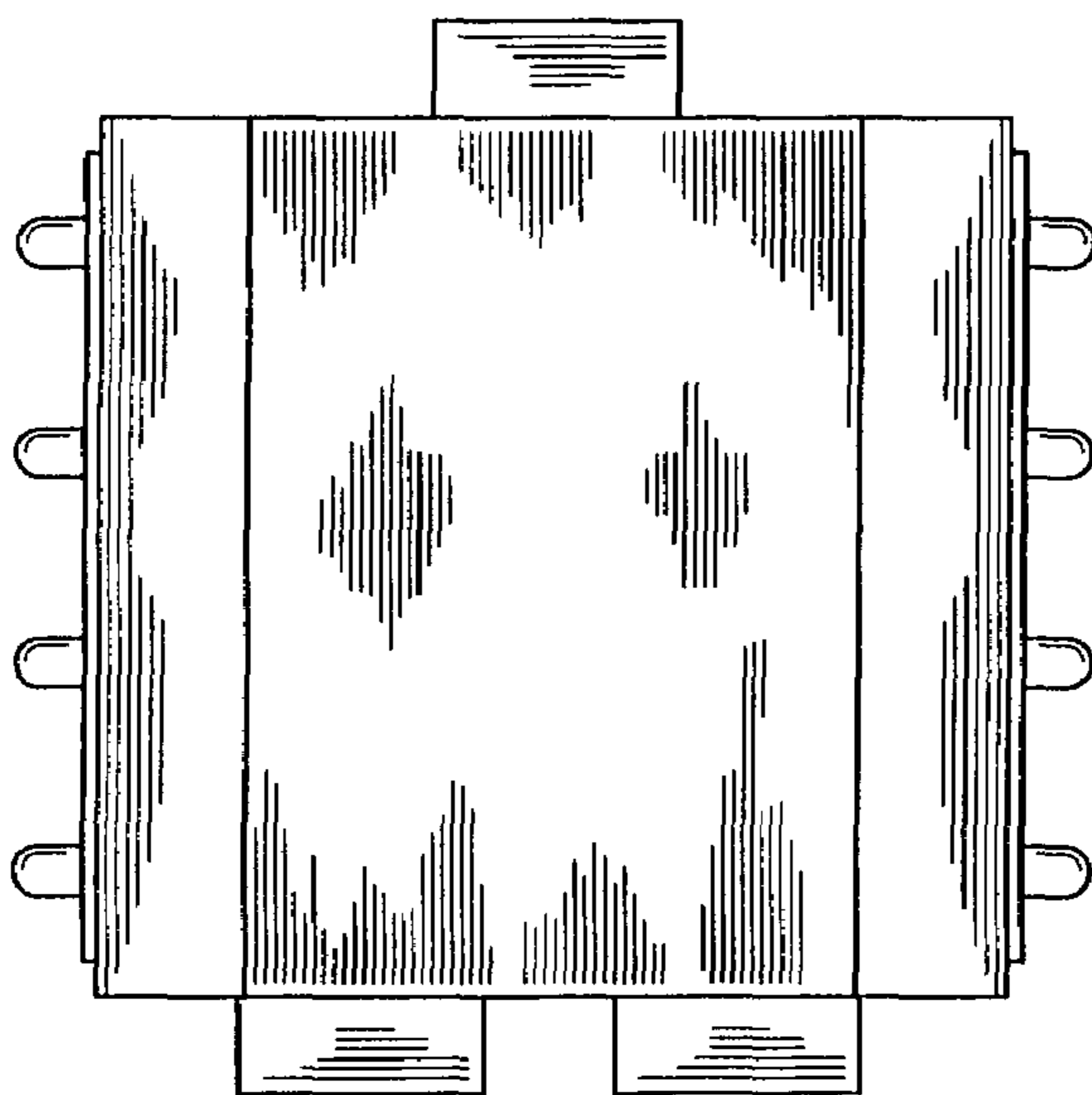


FIG. 7