



US00D589026S

(12) **United States Design Patent**
Ang et al.

(10) **Patent No.:** **US D589,026 S**
(45) **Date of Patent:** **** Mar. 24, 2009**

(54) **LOUDSPEAKER AND CRADLE FOR ELECTRONIC DEVICE**

Primary Examiner—Nanda Bondade
(74) *Attorney, Agent, or Firm*—Kennedy Koblin

(75) Inventors: **Chien Mei Linda Ang**, Singapore (SG);
Wei Lit Wilfred Leung, Singapore (SG)

(57) **CLAIM**

The ornamental design for a loudspeaker and cradle for electronic device, substantially as shown and described.

(73) Assignee: **Creative Technology Ltd**, Singapore (SG)

(**) Term: **14 Years**

DESCRIPTION

(21) Appl. No.: **29/288,512**

FIG. 1 is a perspective view of a loudspeaker and cradle for electronic device in accordance with the present design;

(22) Filed: **Jun. 13, 2007**

FIG. 2 is an upside down rear perspective view of the loudspeaker and cradle for electronic device shown in FIG. 1;

(51) **LOC (9) Cl.** **14-01**

(52) **U.S. Cl.** **D14/168; D14/215**

(58) **Field of Classification Search** D1/204,
D1/210–217, 172, 434, 496, 168; 181/143–144,
181/147–148, 150–153, 157, 198–199; 381/300–303,
381/306, 332–333, 336, 345, 361–364, 386–388;
361/679–684; 379/449, 454, 419, 426
See application file for complete search history.

FIG. 3 is a front view of the loudspeaker and cradle for electronic device shown in FIG. 1;

FIG. 4 is a rear view of the loudspeaker and cradle for electronic device shown in FIG. 1;

FIG. 5 is a top view of the loudspeaker and cradle for electronic device shown in FIG. 1;

(56) **References Cited**

U.S. PATENT DOCUMENTS

D485,256 S *	1/2004	Allen	D14/215
D498,471 S *	11/2004	Solland et al.	D14/215
D523,419 S *	6/2006	Joseph	D14/214
D524,798 S *	7/2006	Koizumi	D14/215

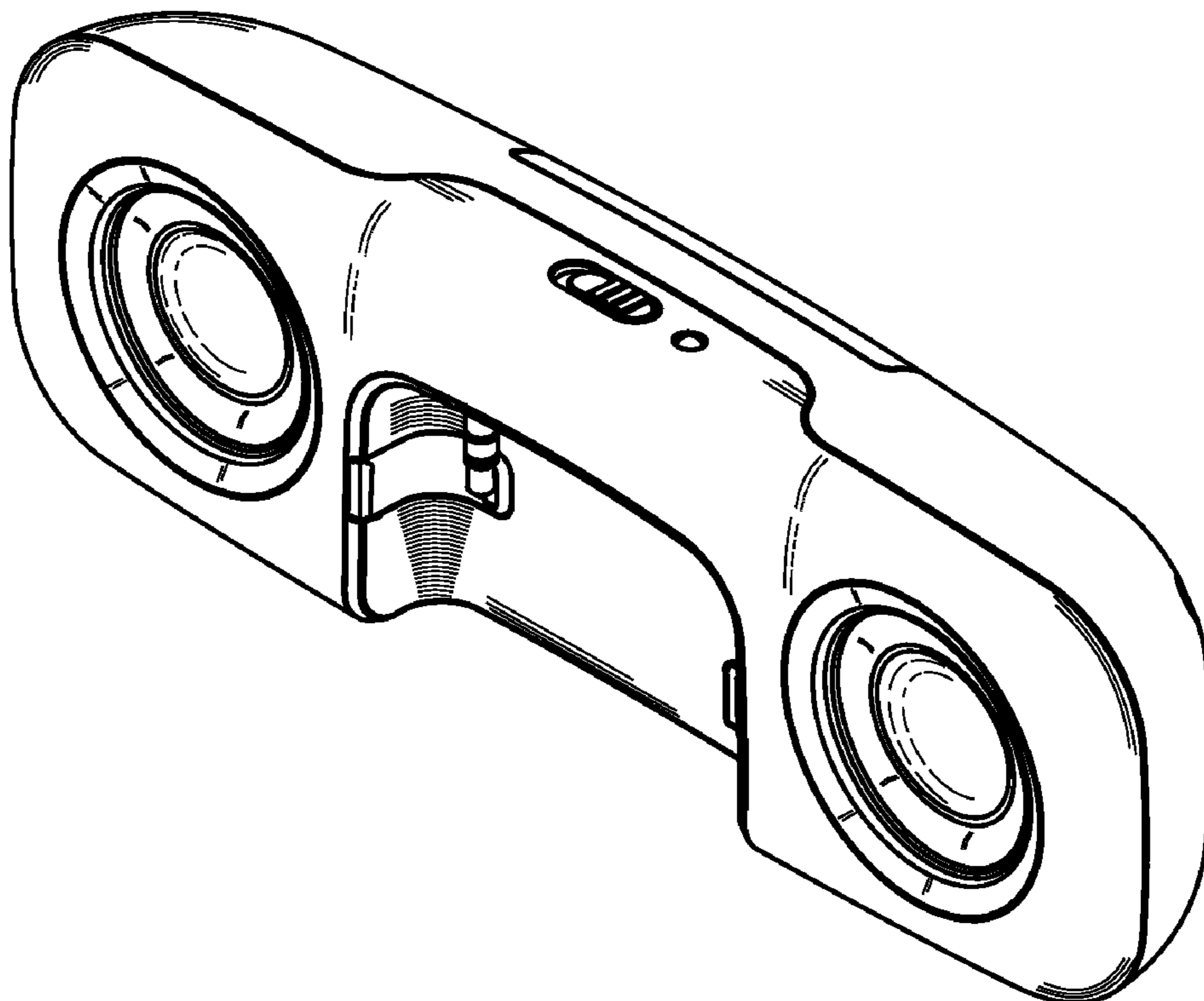
FIG. 6 is a bottom view of the loudspeaker and cradle for electronic device shown in FIG. 1;

FIG. 7 is a left side view of the loudspeaker and cradle for electronic device shown in FIG. 1; and,

FIG. 8 is a right side view of the loudspeaker and cradle for electronic device shown in FIG. 1.

* cited by examiner

1 Claim, 4 Drawing Sheets



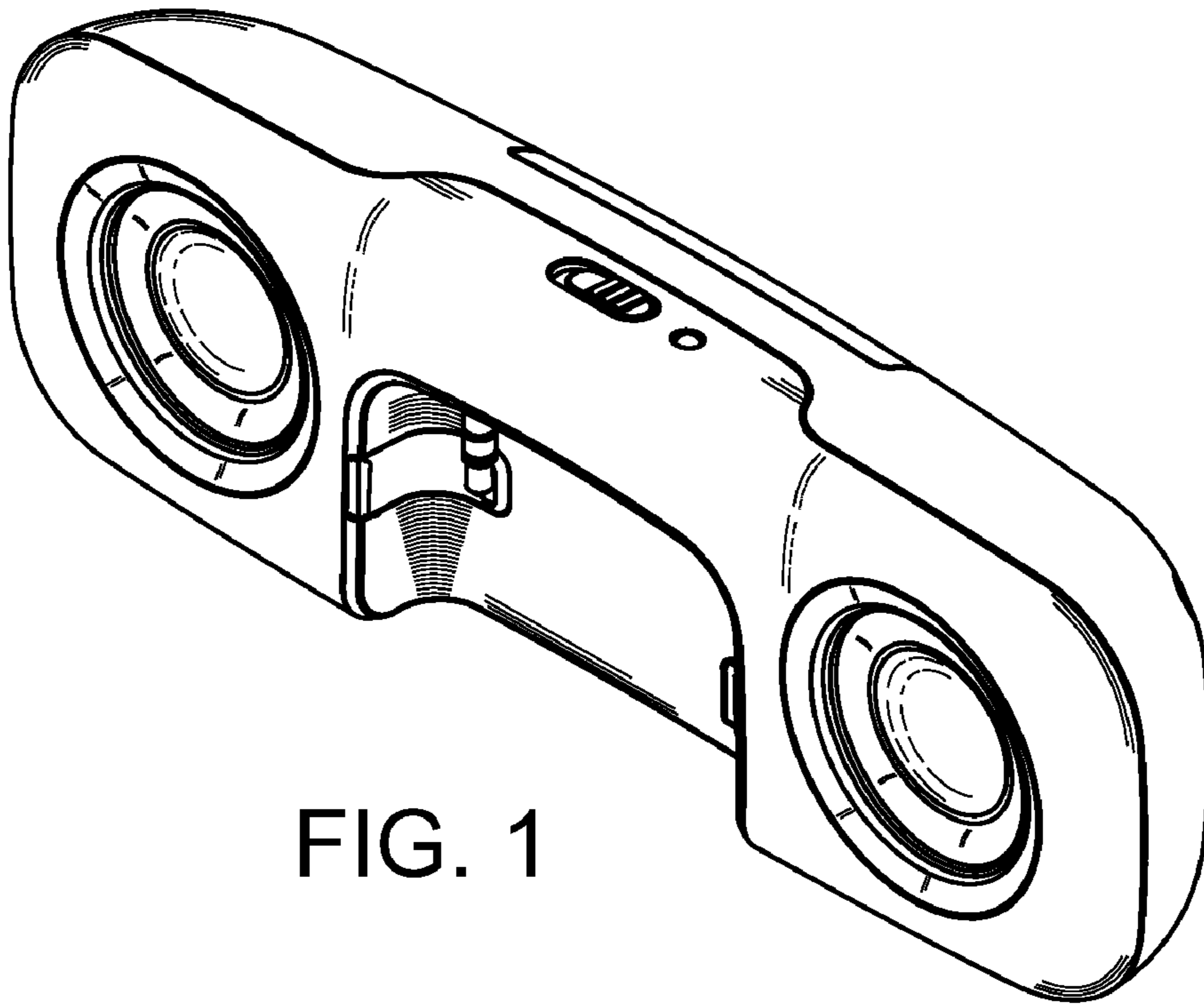


FIG. 1

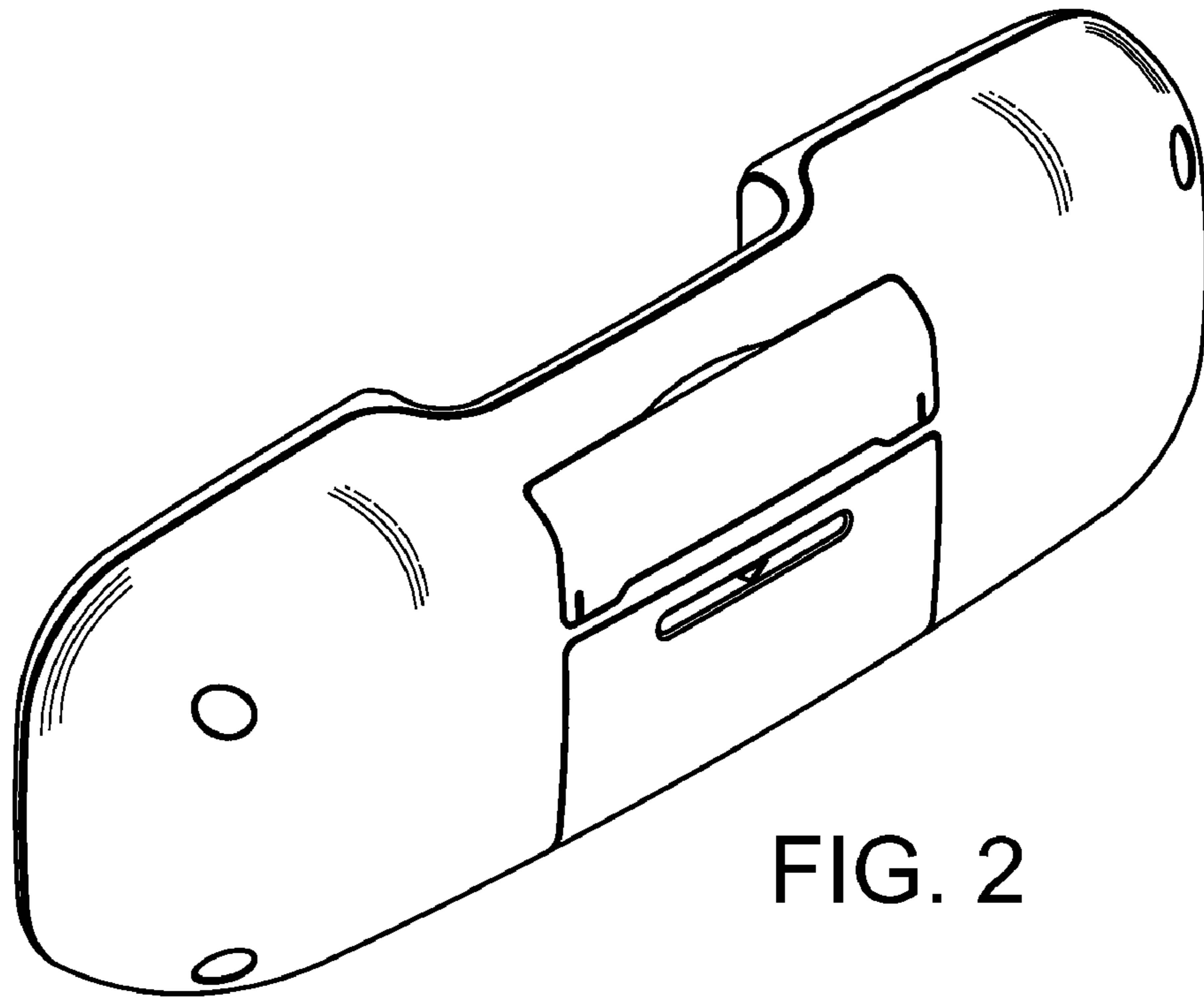


FIG. 2

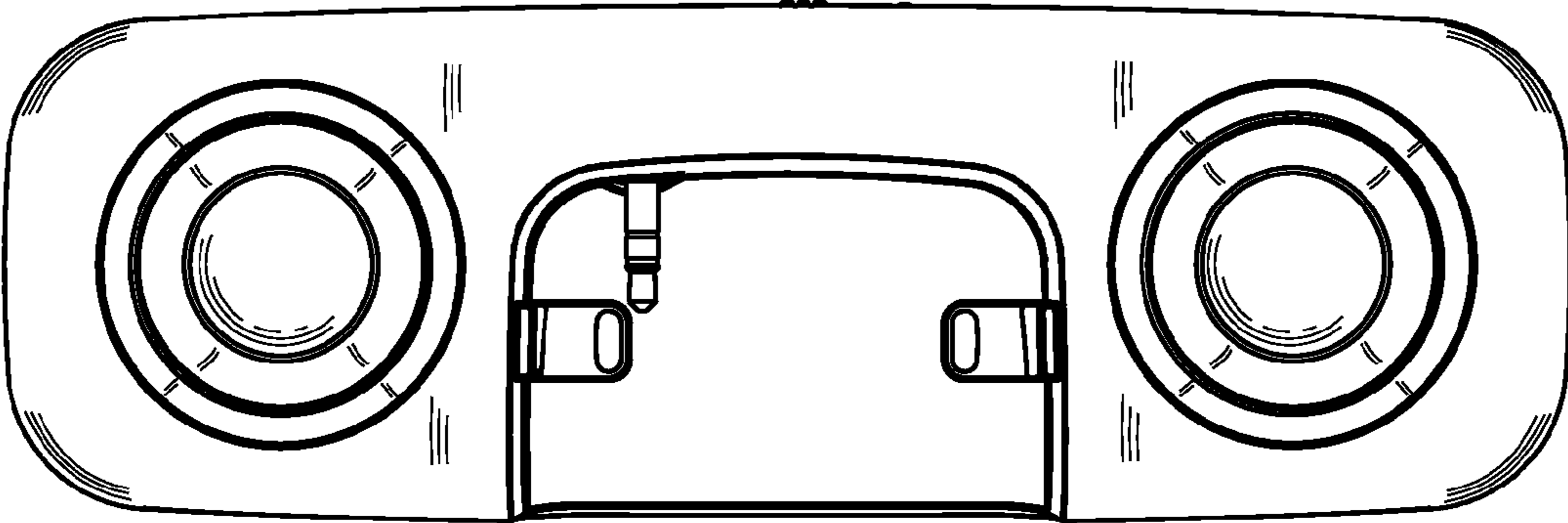


FIG. 3

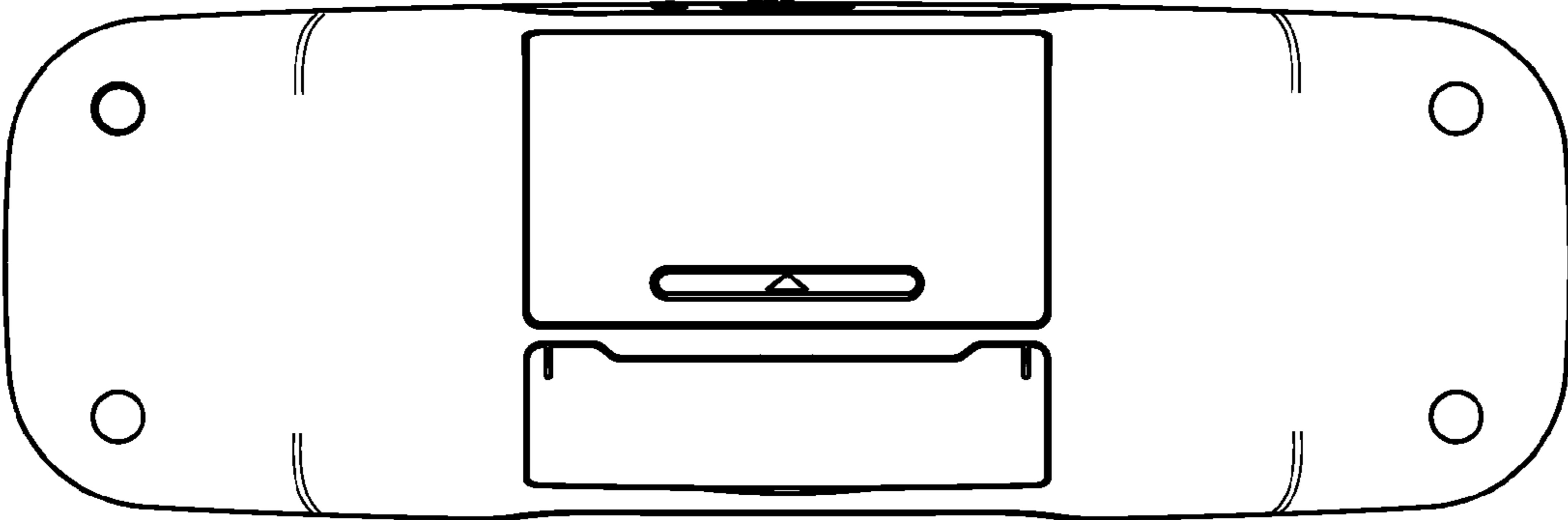


FIG. 4

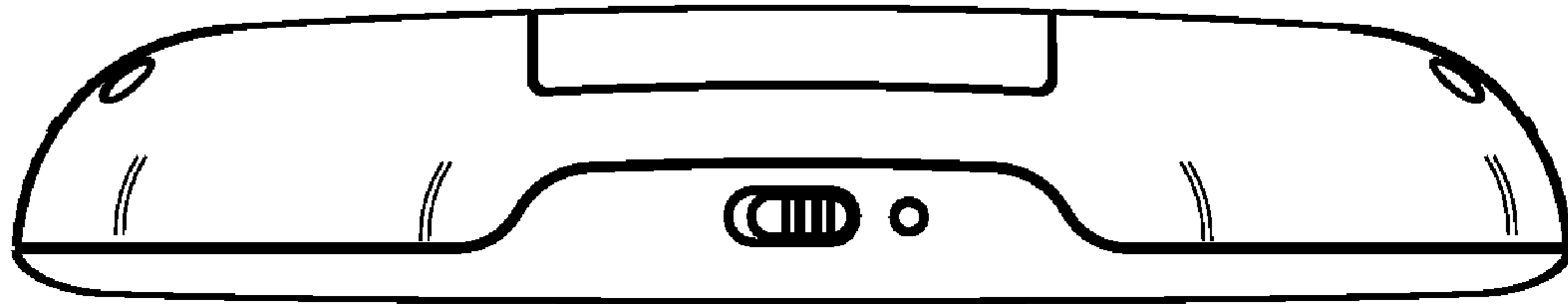


FIG. 5

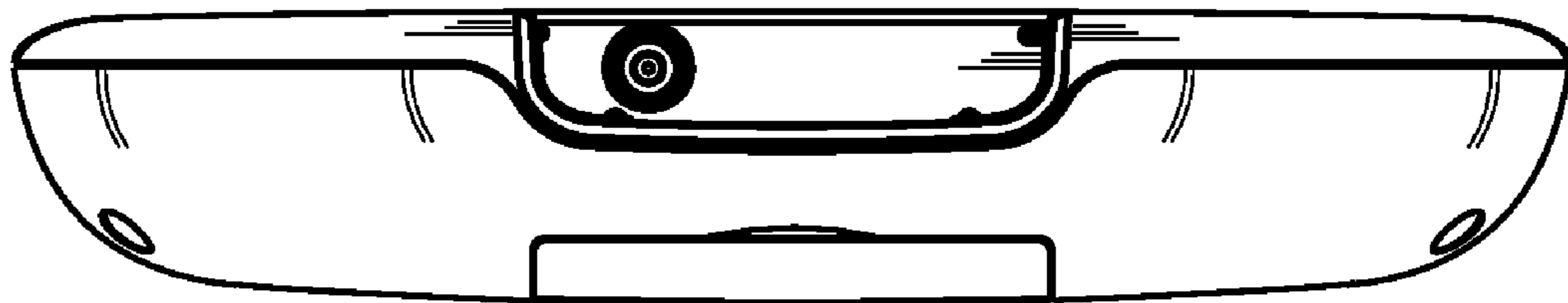


FIG. 6

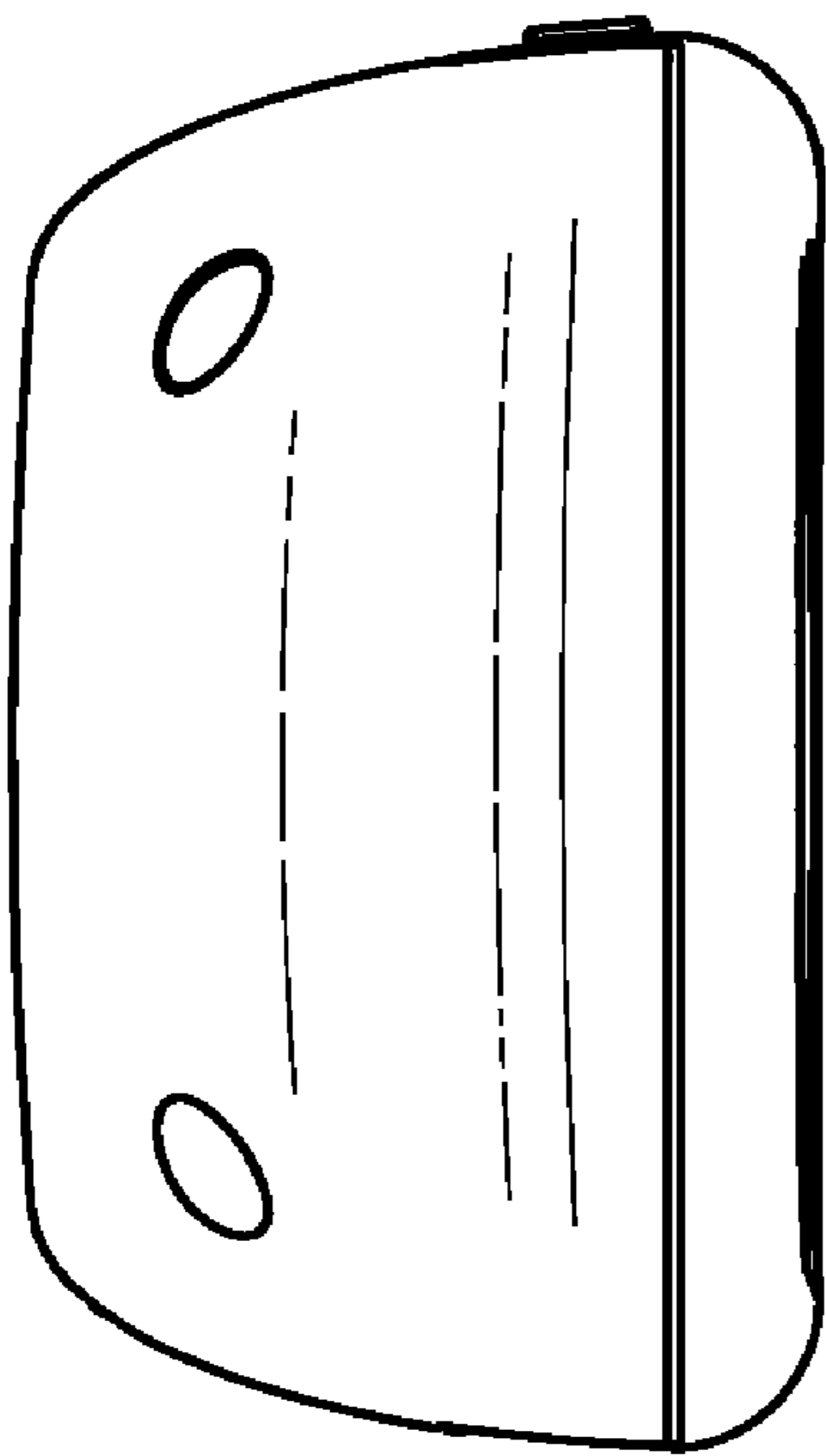


FIG. 7

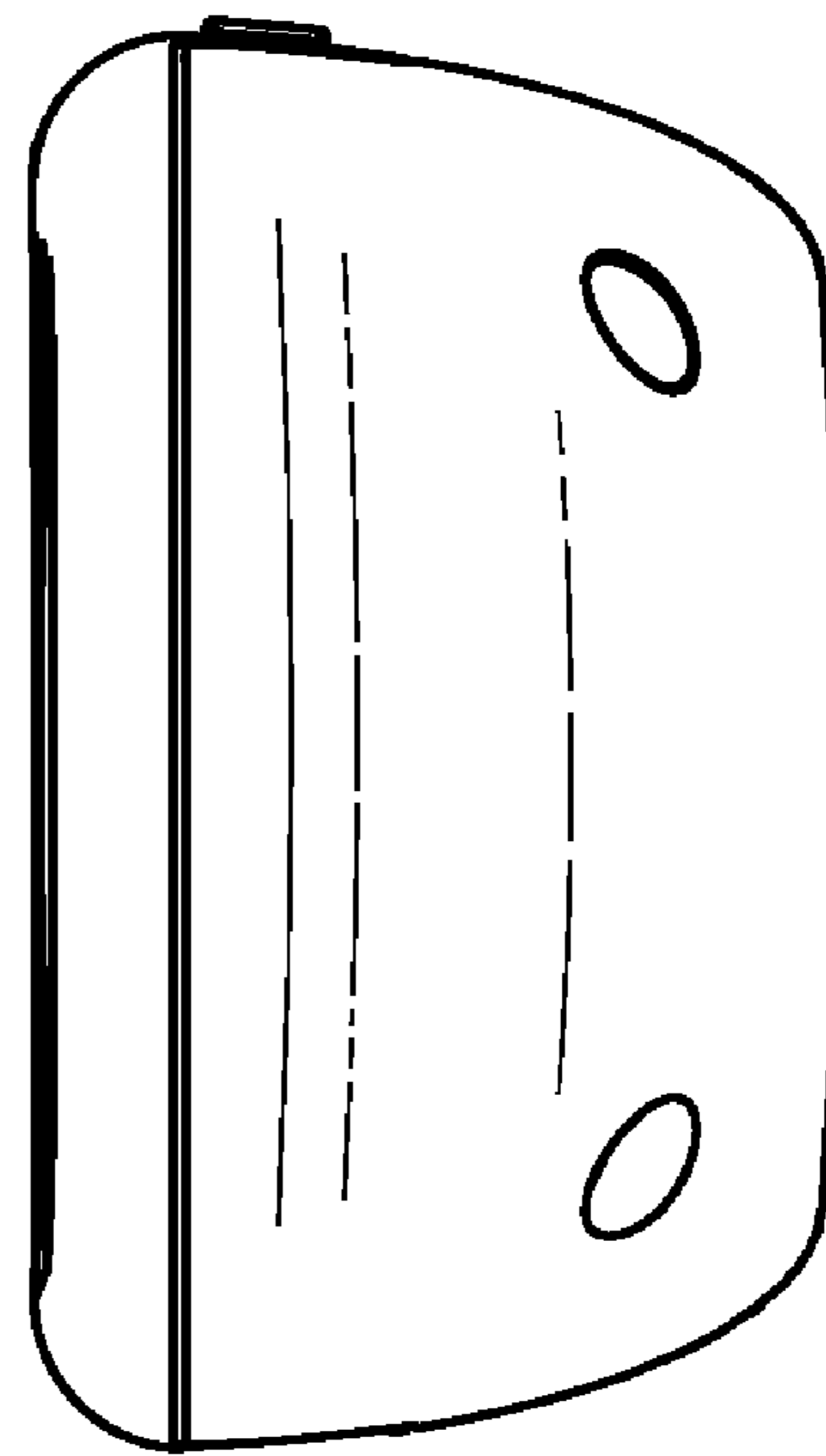


FIG. 8