



US00D589019S

(12) **United States Design Patent**
Millora

(10) **Patent No.:** **US D589,019 S**
(45) **Date of Patent:** **** Mar. 24, 2009**

(54) **MOBILE PHONE**

(75) Inventor: **Wesley Millora**, Cypress, CA (US)

(73) Assignee: **Samsung Electronics Co., Ltd.**,
Suwon-Si (KR)

(**) Term: **14 Years**

(21) Appl. No.: **29/300,732**

(22) Filed: **Apr. 30, 2008**

(30) **Foreign Application Priority Data**

Feb. 4, 2008 (KR) 30-2008-0005138

(51) **LOC (9) Cl.** **14-03**

(52) **U.S. Cl.** **D14/138 AD**

(58) **Field of Classification Search** D14/137,
D14/138 R, 138 AA, 138 AB, 138 AC, 138 AD,
D14/138 C, 138 G, 147, 191, 218, 247-248,
D14/341-347, 455, 496; D10/65, 78, 104;
D13/168; D18/7; 455/556.1, 566, 575.1,
455/575.3; 345/169

See application file for complete search history.

(56) **References Cited**

U.S. PATENT DOCUMENTS

D493,156	S *	7/2004	Hamann et al.	D14/138 AD
D509,204	S *	9/2005	Michler	D14/138 AD
D509,497	S *	9/2005	Michler	D14/138 AD
D509,813	S *	9/2005	Miyazawa et al. ...	D14/138 AD
D528,528	S *	9/2006	Moon et al.	D14/138 G
D529,465	S *	10/2006	Kim et al.	D14/138 AD
D534,515	S *	1/2007	Kim et al.	D14/138 AD
D537,063	S *	2/2007	Kim et al.	D14/138 AD
D557,243	S *	12/2007	Kim et al.	D14/138 AD
D558,173	S *	12/2007	Oross et al.	D14/138 AD
D558,717	S *	1/2008	Baik et al.	D14/138 AD
D561,727	S *	2/2008	Suk et al.	D14/138 AD
D562,287	S *	2/2008	Kim et al.	D14/138 AD
D562,289	S *	2/2008	Suk et al.	D14/138 AD
D563,363	S *	3/2008	Park et al.	D14/138 AD
D567,208	S *	4/2008	Suk et al.	D14/138 AD
D569,835	S *	5/2008	Han et al.	D14/138 AD

D569,836	S *	5/2008	Han et al.	D14/138 AD
D571,762	S *	6/2008	Lee et al.	D14/138
D579,435	S *	10/2008	Han et al.	D14/138 R
D579,905	S *	11/2008	Kim et al.	D14/138 R
2004/0185821	A1 *	9/2004	Yuasa	455/343.5
2005/0070344	A1 *	3/2005	Im et al.	455/575.1
2007/0254718	A1 *	11/2007	Bum	455/566
2007/0270193	A1 *	11/2007	Hsieh	455/575.1
2007/0287515	A1 *	12/2007	Fagrenius et al.	455/575.4

OTHER PUBLICATIONS

Qtek S200, announced 4th quarter 2005, [online], [retrieved on Feb. 20, 2007]. Retrieved from Internet ,<URL: <http://www.gsmarena.com>>.*

(Continued)

Primary Examiner—Jeffrey D Asch
Assistant Examiner—Bridget L Eland
(74) *Attorney, Agent, or Firm*—Staas & Halsey LLP

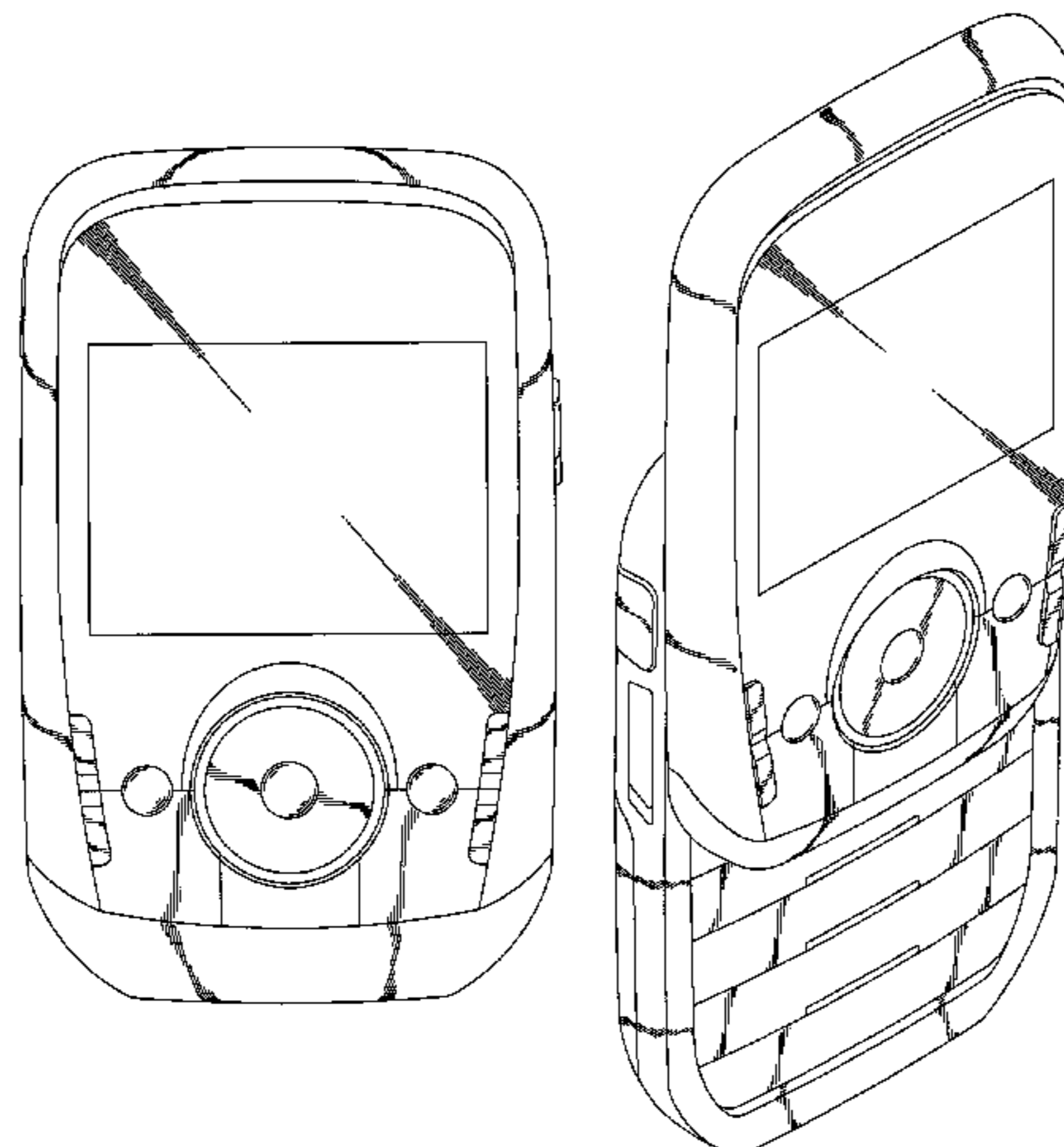
(57) **CLAIM**

The ornamental design for a mobile phone, as shown and described.

DESCRIPTION

FIG. 1 is a perspective view of a mobile phone;
FIG. 2 is a front view of the mobile phone of FIG. 1;
FIG. 3 is a rear view of the mobile phone of FIG. 1;
FIG. 4 is a left-side view of the mobile phone of FIG. 1;
FIG. 5 is a right-side view of the mobile phone of FIG. 1;
FIG. 6 is a top plan view of the mobile phone of FIG. 1;
FIG. 7 is a bottom plan view of the mobile phone of FIG. 1;
and,
FIG. 8 is an open perspective view of the mobile phone of FIG. 1.

1 Claim, 6 Drawing Sheets



OTHER PUBLICATIONS

Gigabyte g-Smart t600, announced Feb. 2007, [online], [retrieved on Mar. 12, 2007]. Retrieved from Internet ,<URL: <http://www.gsmarena.com>>.*

Samsung G600, announced Jul. 2007, [online], [retrieved on Aug. 6, 2007]. Retrieved from Internet ,<URL: <http://www.gsmarena.com>>.*

BenQ T33, announced Aug. 2007, [online], [retrieved on Dec. 13, 2007]. Retrieved from Internet ,<URL: <http://www.gsmarena.com>>.*

Samsung J700, announced Feb. 2008, [online], [retrieved on Mar. 21, 2008]. Retrieved from Internet ,<URL: <http://www.gsmarena.com>>.*

Samsung J800 Luxe, announced Jun. 2008, [online], [retrieved on Jun. 27, 2008]. Retrieved from Internet ,<URL: <http://www.gsmarena.com>>.*

Samsung S3030 Tobi, announced Nov. 2008, [online], [retrieved on Nov. 18, 2008]. Retrieved from Internet ,<URL: <http://www.gsmarena.com>>.*

Eten glofish DX900, announced Jun. 2008, [online], [retrieved on Jun. 13, 2008]. Retrieved from Internet ,<URL: <http://www.gsmarena.com>>.*

* cited by examiner

FIG.1

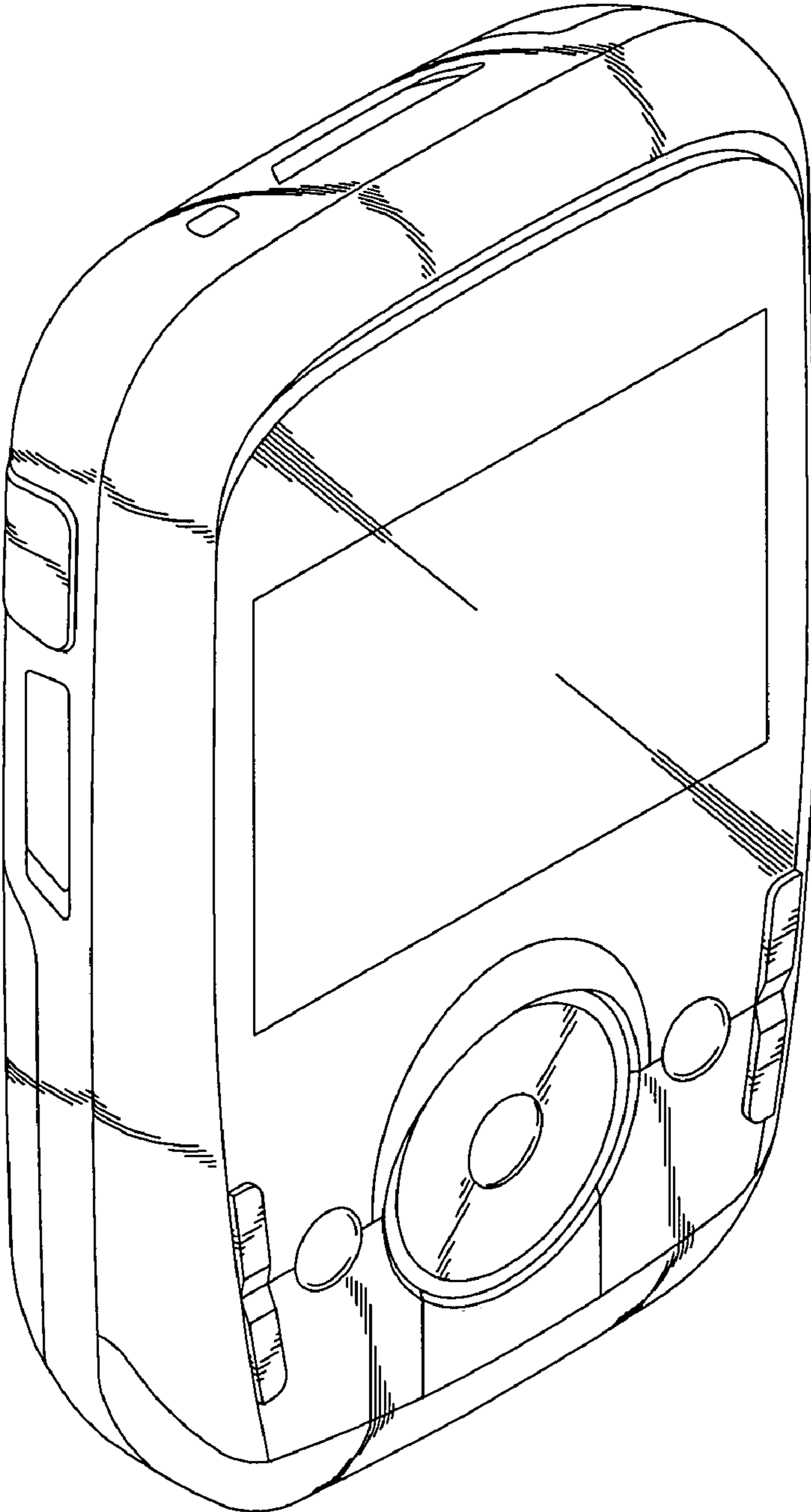


FIG.2

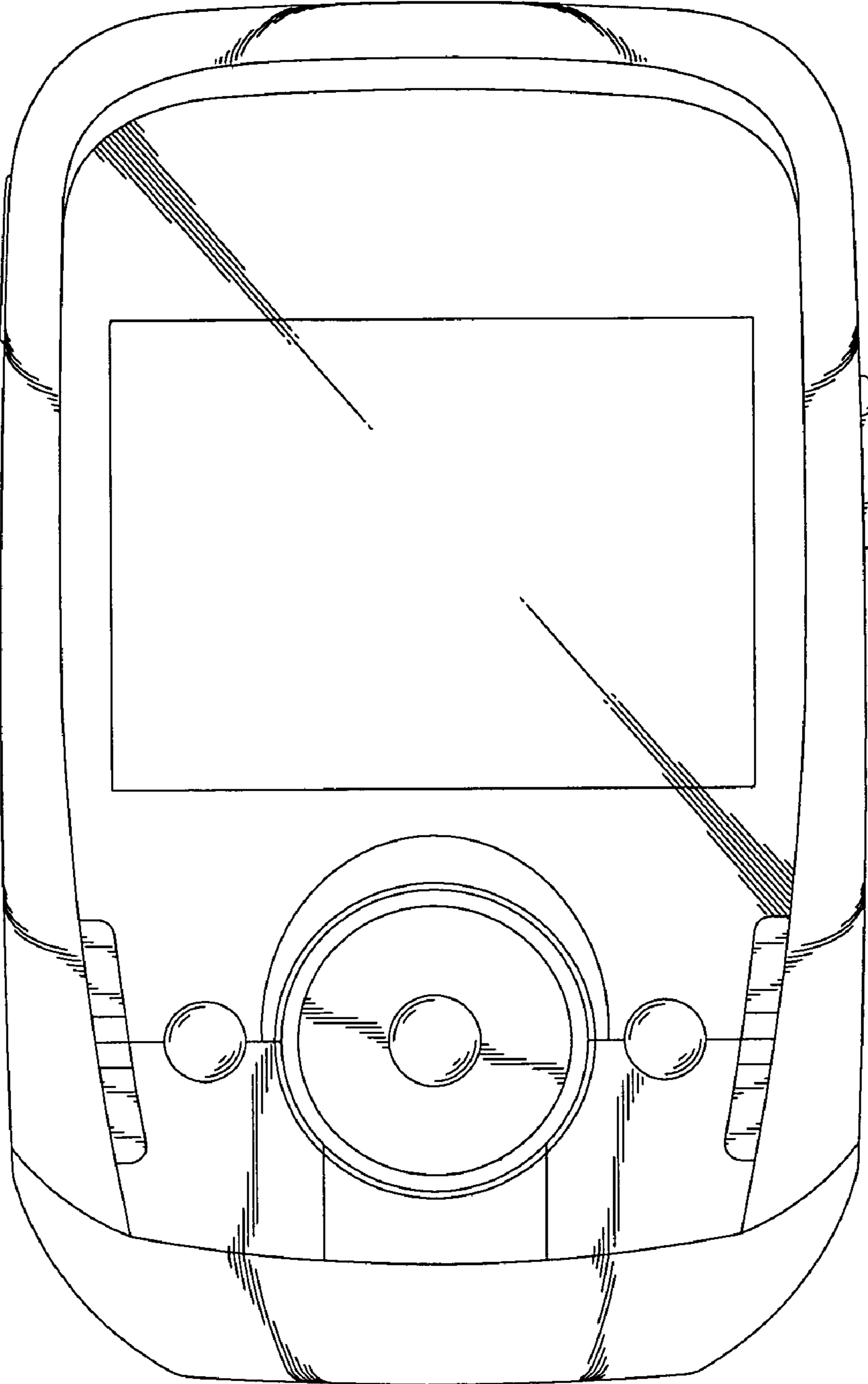


FIG.3

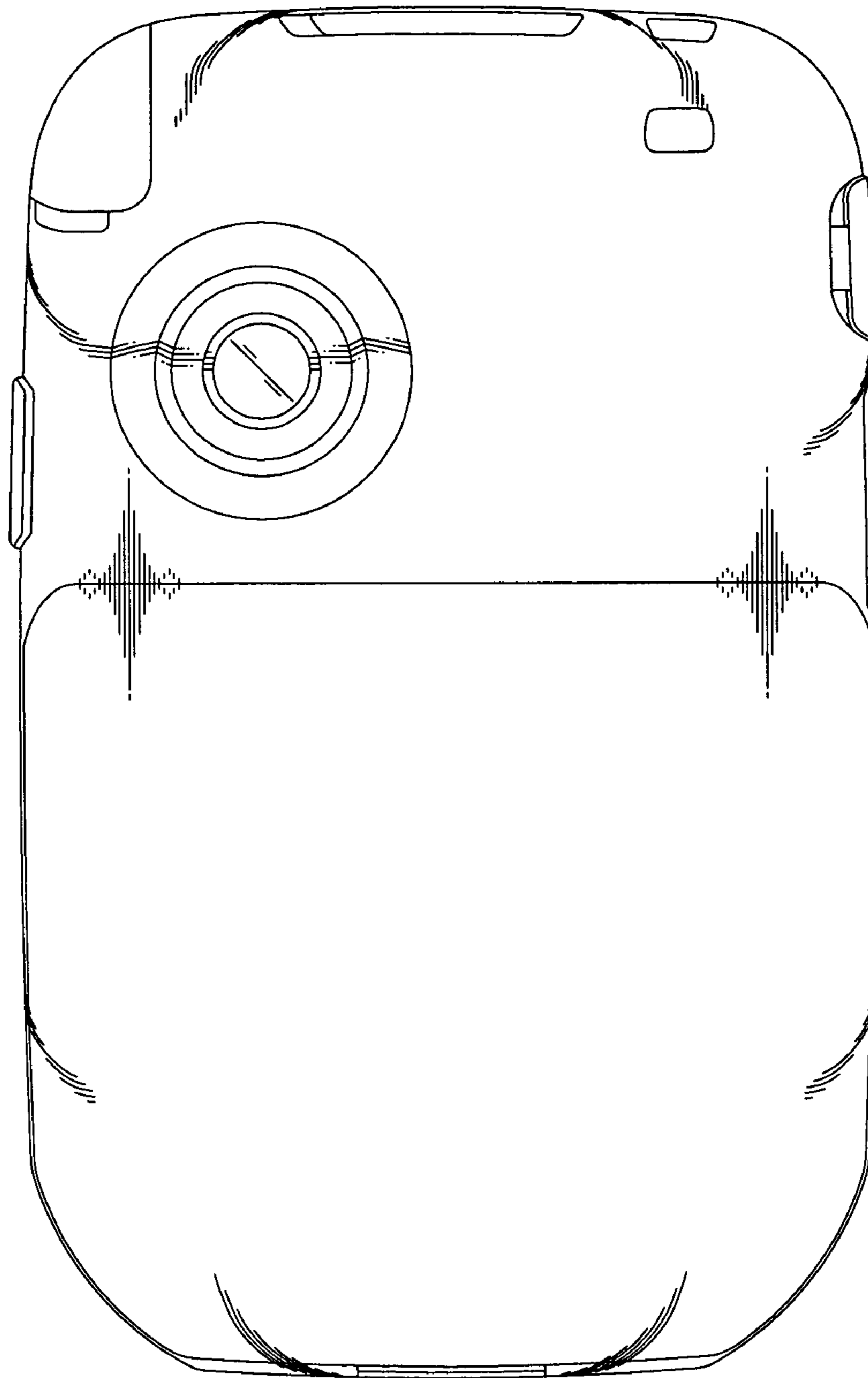


FIG.4

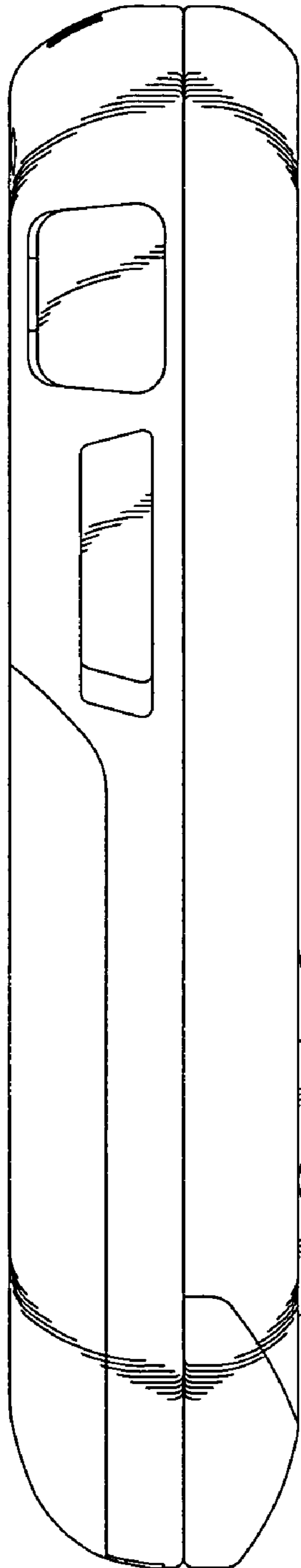


FIG.5

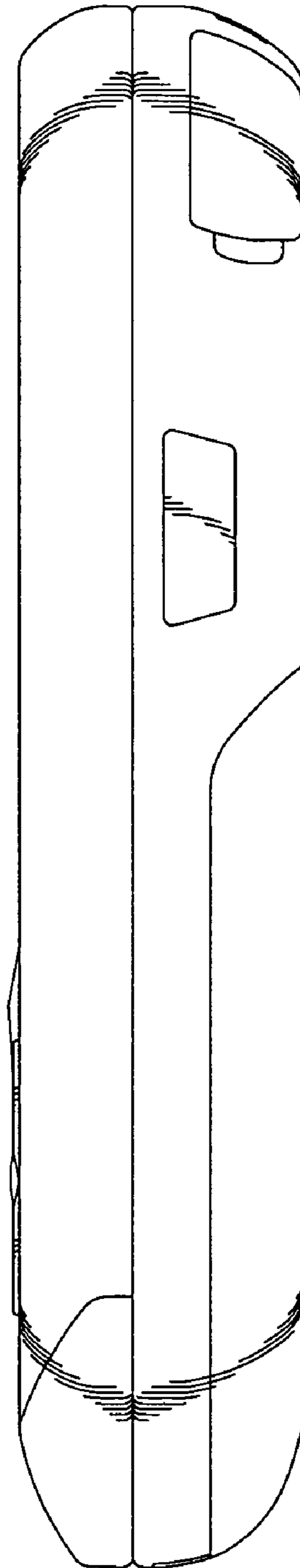


FIG.6

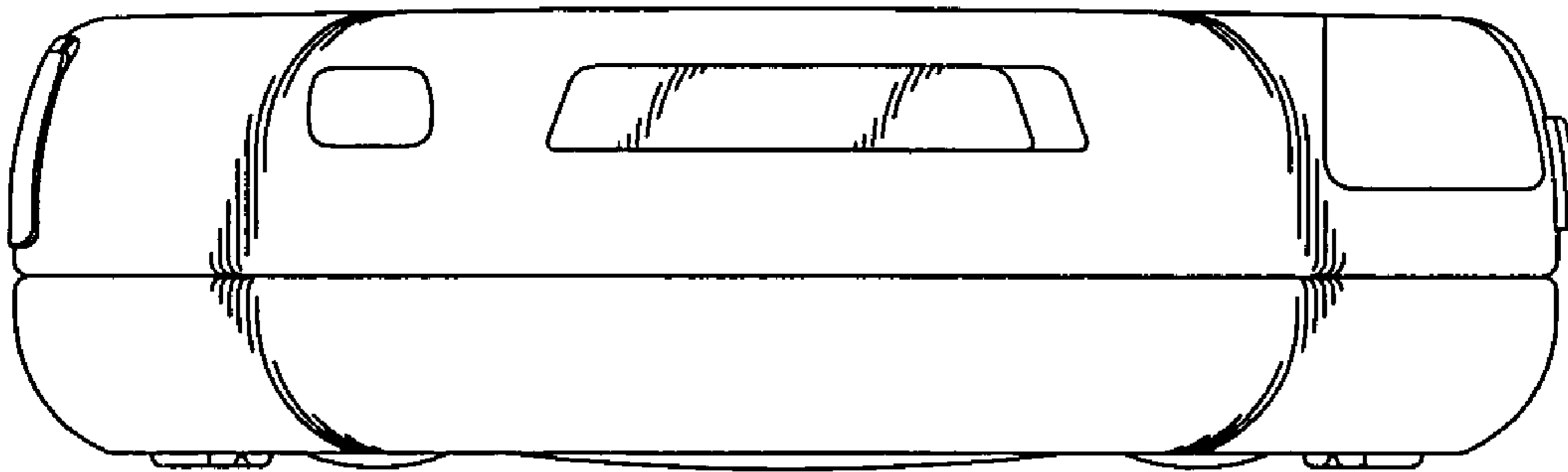


FIG.7

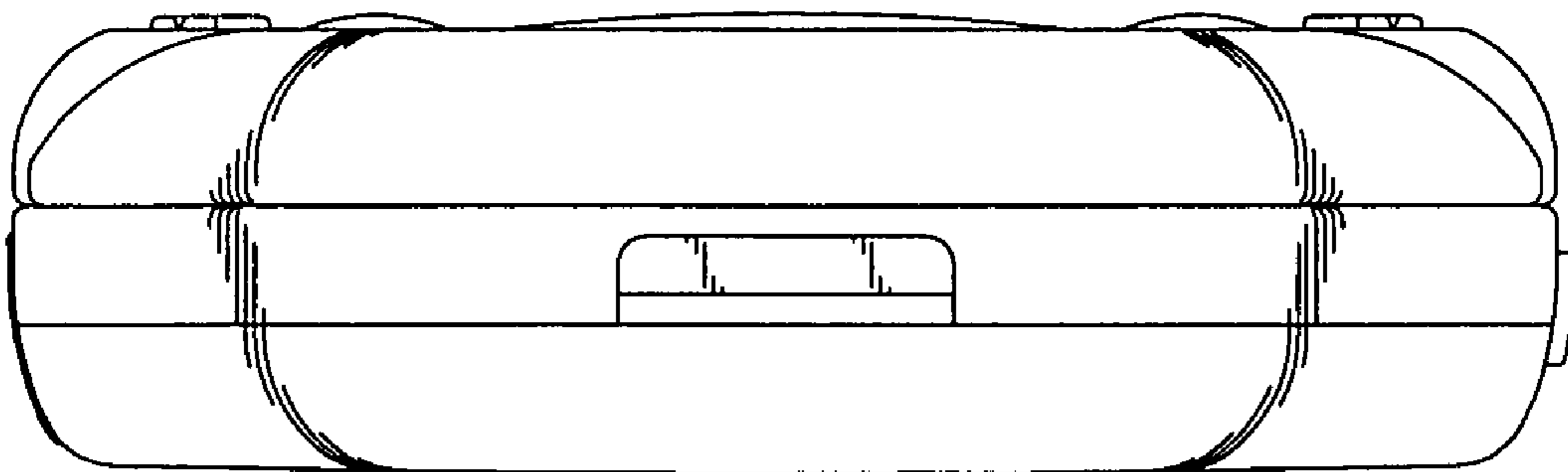


FIG.8

