



US00D589014S

(12) **United States Design Patent**
Zhan

(10) **Patent No.:** **US D589,014 S**
(45) **Date of Patent:** **** Mar. 24, 2009**

(54) **ELECTRONIC PHOTO ALBUM**

(76) Inventor: **Wenjun Zhan**, Room 221, Building 307,
Donghu Huayuan, Dongping, Huizhou
City, Guangdong (CN)

(**) Term: **14 Years**

(21) Appl. No.: **29/323,010**

(22) Filed: **Aug. 15, 2008**

(51) **LOC (9) Cl.** **14-03**

(52) **U.S. Cl.** **D14/132**

(58) **Field of Classification Search** D14/125-134,
D14/239, 371, 136, 374-377, 440, 450, 448,
D14/336, 342; 312/7.2; 348/836, 838, 180,
348/184, 325, 739; 341/12; 248/917-924,
248/465; 345/104, 133, 156, 168, 87, 173;
720/605, 669, 600, 655; 369/99, 197; 455/344,
455/347; D21/329, 515, 577, 622, 333, 433,
D21/448, 452, 450, 331; D6/477, 479; 273/148 B;
446/484, 175, 356; D10/15, 26

See application file for complete search history.

(56) **References Cited**

U.S. PATENT DOCUMENTS

D445,408 S * 7/2001 Hwang D14/132
D521,474 S * 5/2006 Hoehn et al. D14/132
D524,768 S * 7/2006 Reza et al. D14/126

D540,763 S * 4/2007 Liang et al. D14/129
D542,248 S * 5/2007 Reza et al. D14/126
D556,711 S * 12/2007 Lee et al. D14/132
D558,460 S * 1/2008 Yu et al. D6/308

* cited by examiner

Primary Examiner—Raphael Barkai

(74) *Attorney, Agent, or Firm*—Hamre, Schumann, Mueller
& Larson, P.C.

(57) **CLAIM**

The ornamental design for an “electronic photo album,” as
shown and described.

DESCRIPTION

FIG. 1 is a front, top and right side perspective view of an
electronic photo album showing my new design;

FIG. 2 is a front elevational view thereof;

FIG. 3 is a rear elevational view thereof;

FIG. 4 is a left side elevational view thereof;

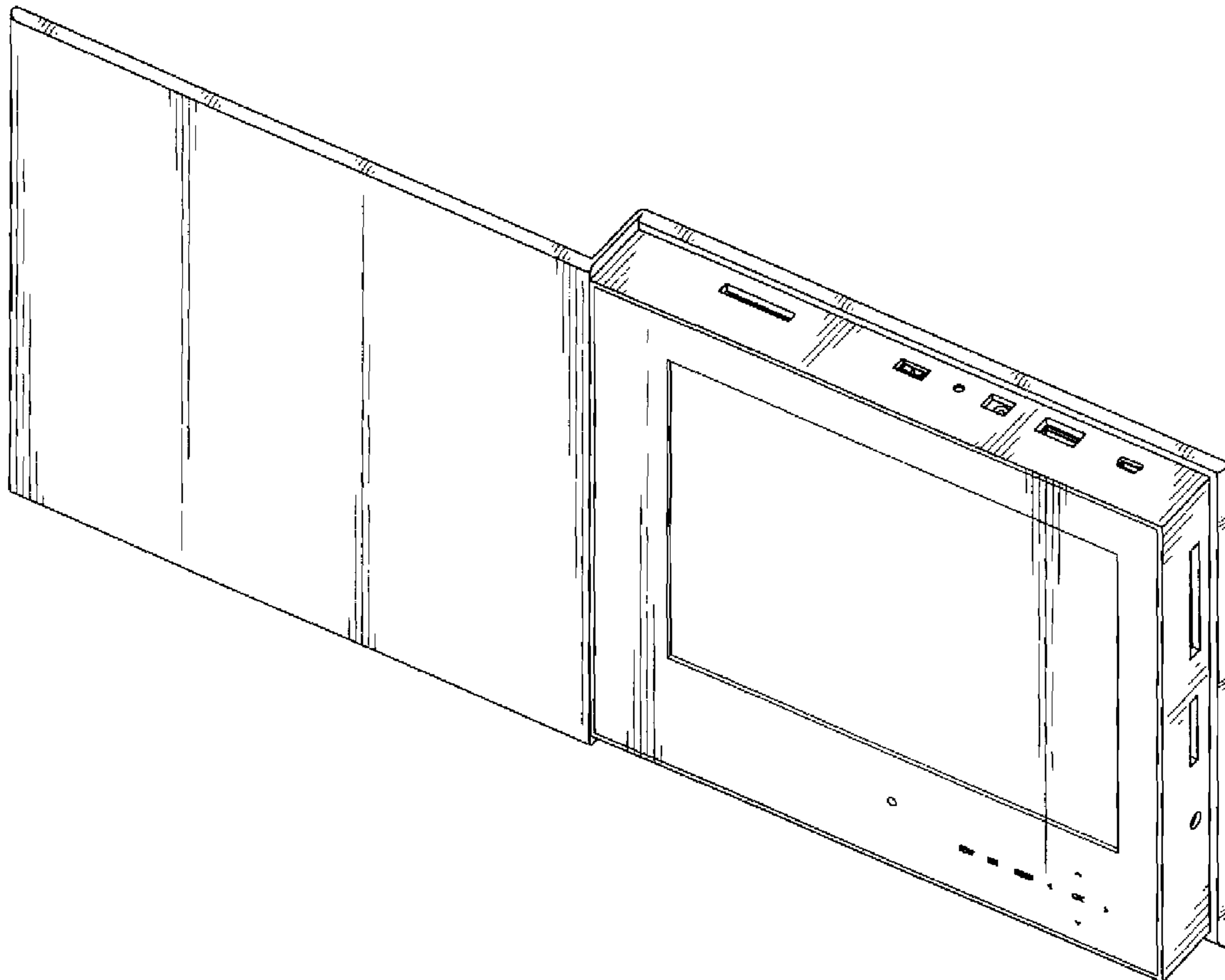
FIG. 5 is a right side elevational view thereof;

FIG. 6 is a top plan view thereof; and

FIG. 7 is a bottom plan view thereof; and,

FIG. 8 is a perspective elevation view in the open position of
an electronic photo album.

1 Claim, 8 Drawing Sheets



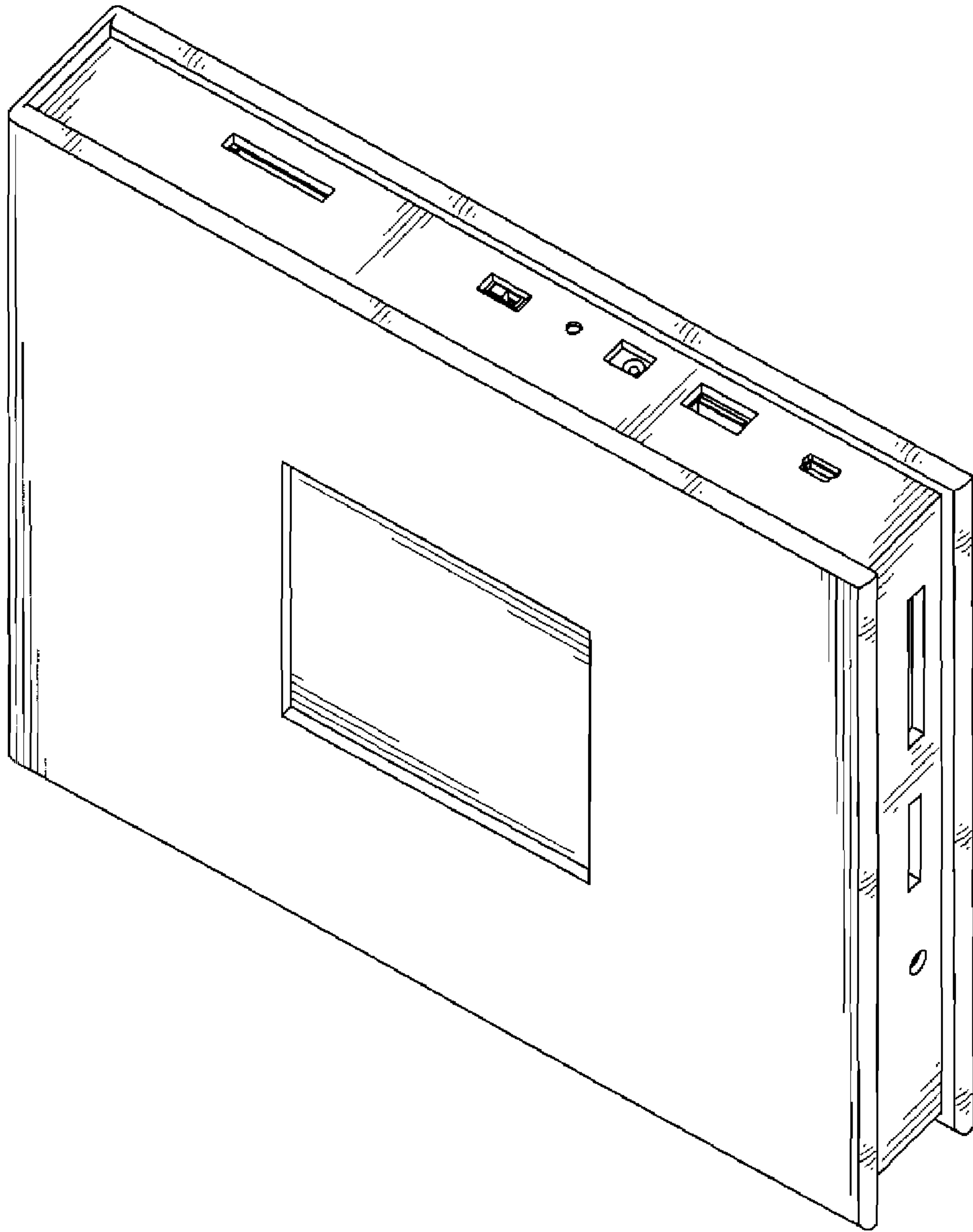


FIG. 1

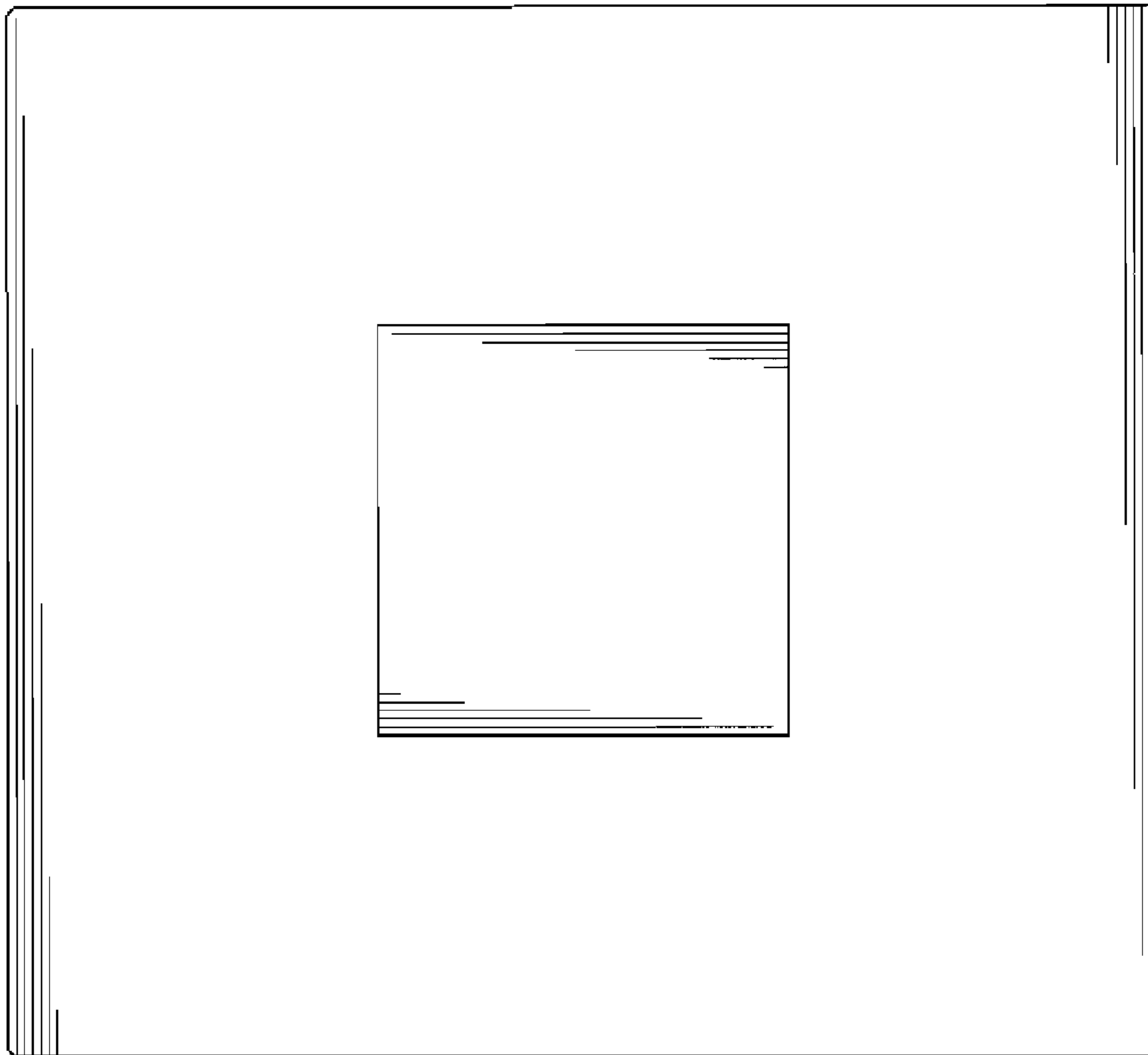


FIG. 2

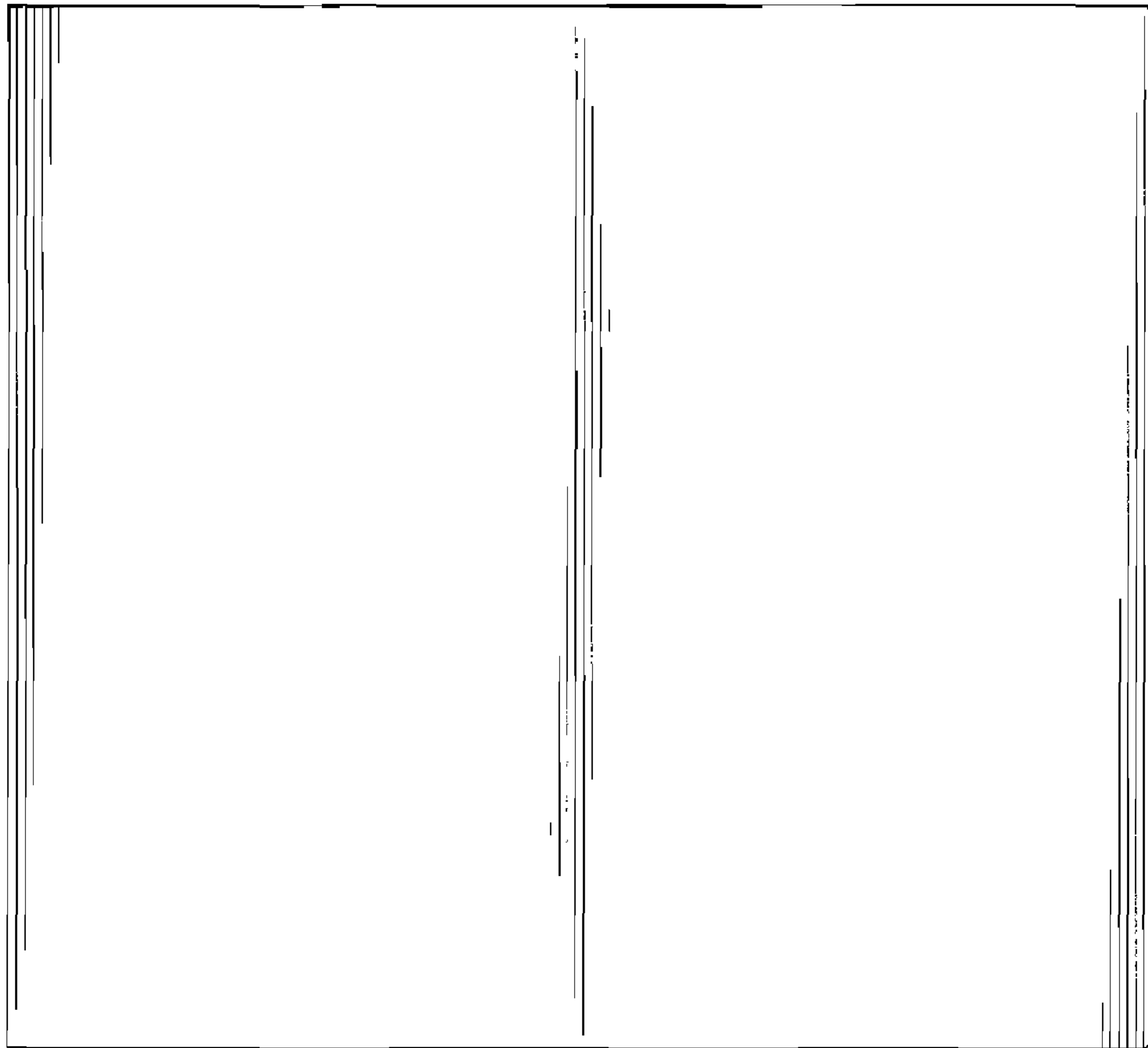


FIG. 3



FIG. 4

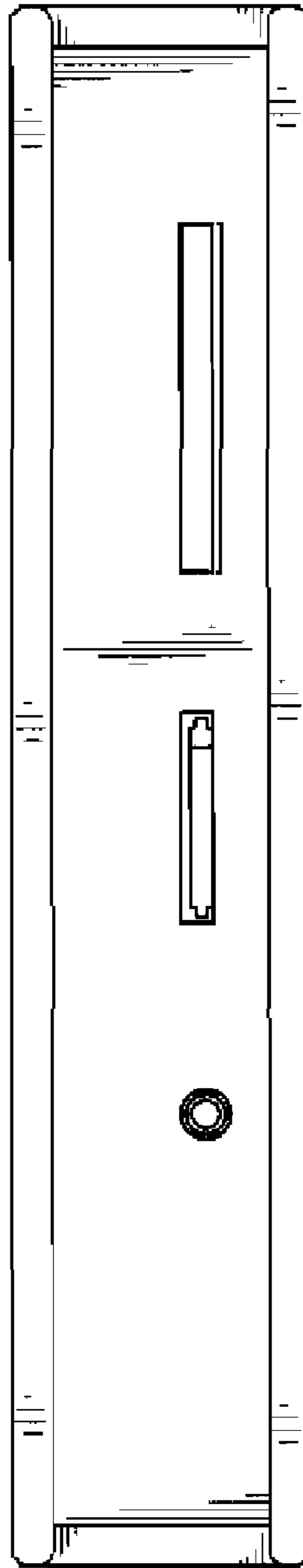


FIG. 5

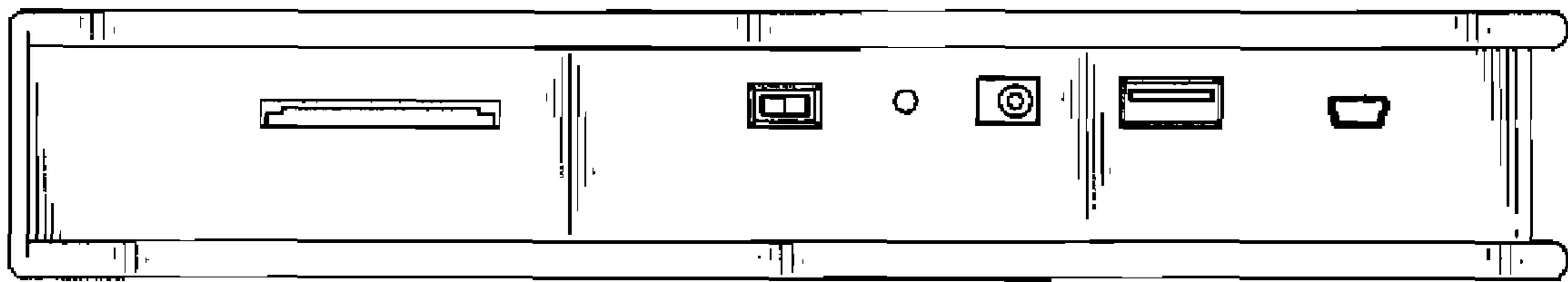


FIG. 6

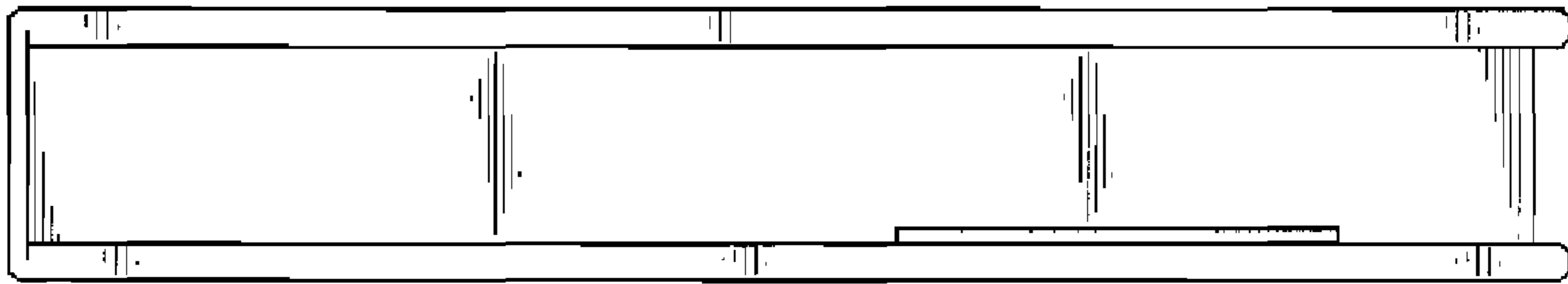


FIG. 7

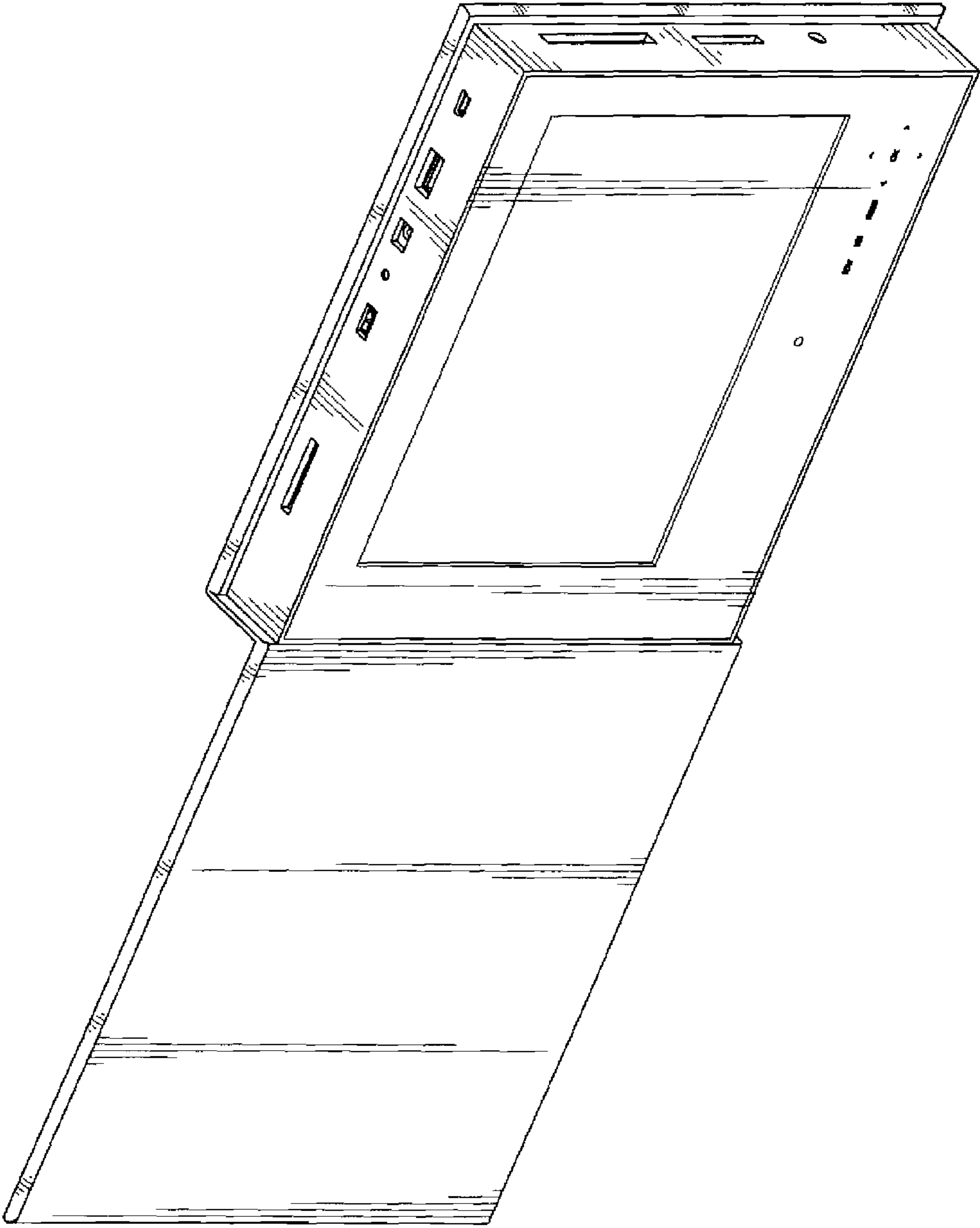


FIG. 8