



US00D589013S

(12) **United States Design Patent**
Pozin et al.

(10) **Patent No.:** **US D589,013 S**
(45) **Date of Patent:** **** Mar. 24, 2009**

(54) **ELECTRONIC IMAGE DISPLAY**

D580,428 S * 11/2008 Giugiaro D14/307

(75) Inventors: **Eric Pozin**, Davie, FL (US); **Kenneth Lucas**, Deerfield Beach, FL (US)

* cited by examiner

Primary Examiner—Raphael Barkai

(73) Assignee: **Atico International, USA**, Fort Lauderdale, FL (US)

(74) *Attorney, Agent, or Firm*—Casimir Jones, S.C.

(**) Term: **14 Years**

(57) **CLAIM**

(21) Appl. No.: **29/322,023**

The ornamental design for an electronic image display, as shown and described.

(22) Filed: **Jul. 28, 2008**

DESCRIPTION

(51) **LOC (9) Cl.** **14-03**

(52) **U.S. Cl.** **D14/127**

(58) **Field of Classification Search** D14/125–134, D14/239, 371, 136, 374–377, 440, 450, 448, D14/336, 342; 312/7.2; 348/836, 838, 180, 348/184, 325, 739; 341/12; 248/917–924, 248/465; 345/104, 133, 156, 168, 87, 173; 720/605, 669, 600, 655; 369/99, 197; 455/344, 455/347; D21/329, 515, 577, 622, 333, 433, D21/448, 452, 450, 331; D6/477, 479; 273/148 B; 446/484, 175, 356; D10/15, 26

FIG. 1 is a front elevational view showing our new design; FIG. 2 is a rear elevational view thereof; FIG. 3 is a left side elevational view thereof (the left side and right side elevational views being mirror images); FIG. 4 is a top plan view thereof; FIG. 5 is a bottom plan view thereof; FIG. 6 is a front perspective view thereof; and FIG. 7 is a rear perspective view thereof. FIG. 8 is a front elevational view showing a second embodiment of our new design; FIG. 9 is a rear elevational view thereof; FIG. 10 is a left side elevational view thereof (the left side and right side elevational views being mirror images); FIG. 11 is a top plan view thereof; FIG. 12 is a bottom plan view thereof; FIG. 13 is a front perspective view thereof; and, FIG. 14 is a rear perspective view thereof.

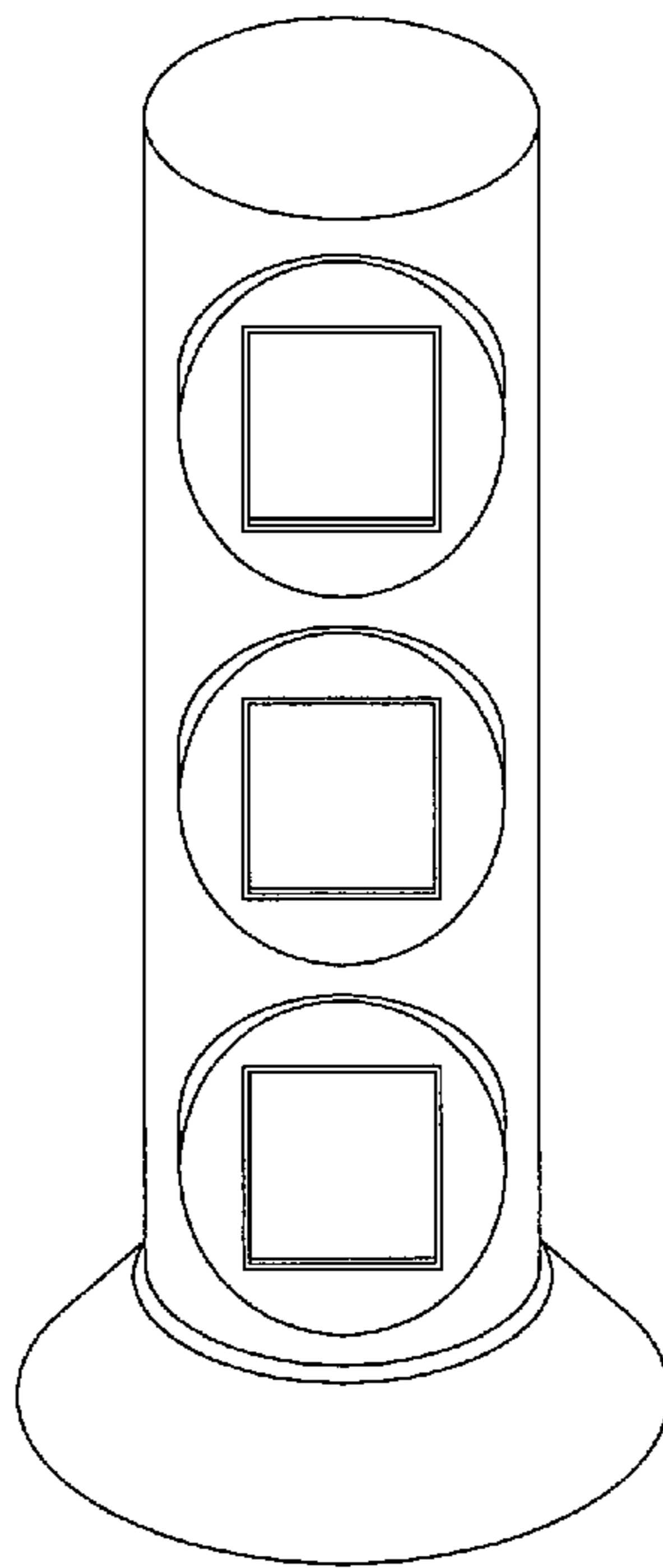
See application file for complete search history.

(56) **References Cited**

U.S. PATENT DOCUMENTS

- D174,034 S * 2/1955 Genter D14/133
- D289,757 S * 5/1987 House D14/127
- D345,217 S * 3/1994 Pearlson D25/16
- 5,663,746 A * 9/1997 Pellenberg et al. 345/581
- D425,036 S * 5/2000 Copus et al. D14/375
- D467,561 S * 12/2002 Kosciolk D14/451
- D555,524 S * 11/2007 Jacobsen et al. D10/75

1 Claim, 4 Drawing Sheets



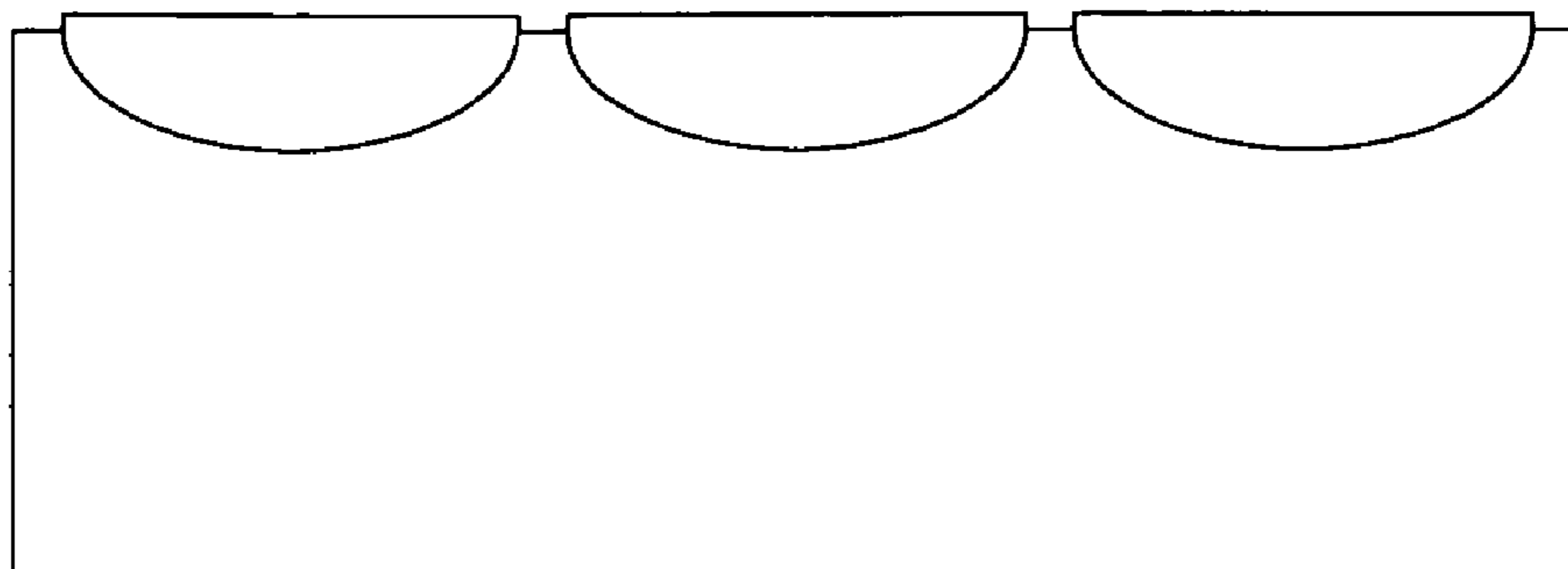


FIG. 3

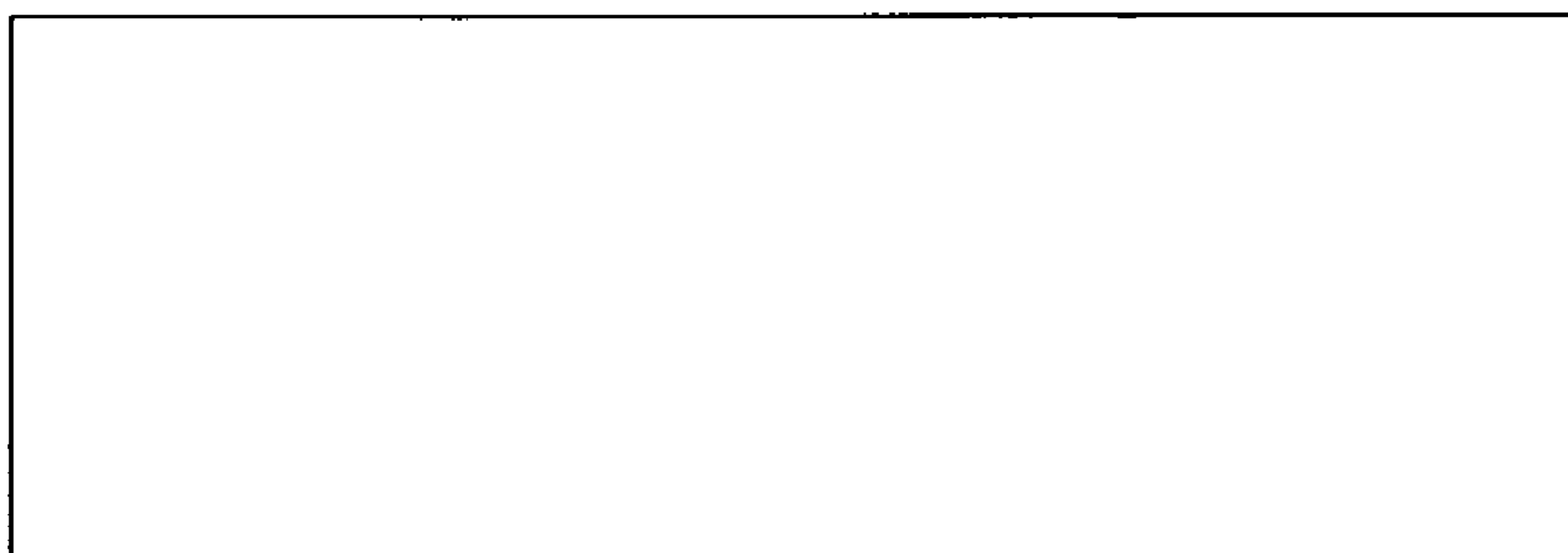


FIG. 2

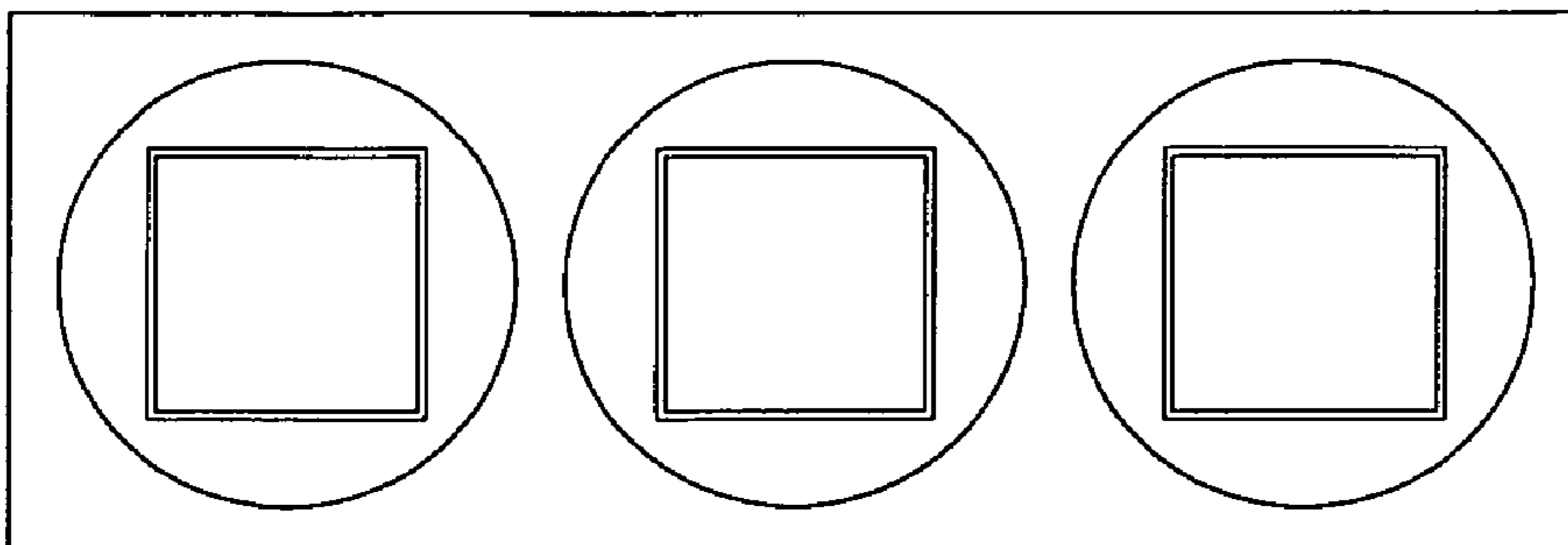


FIG. 1

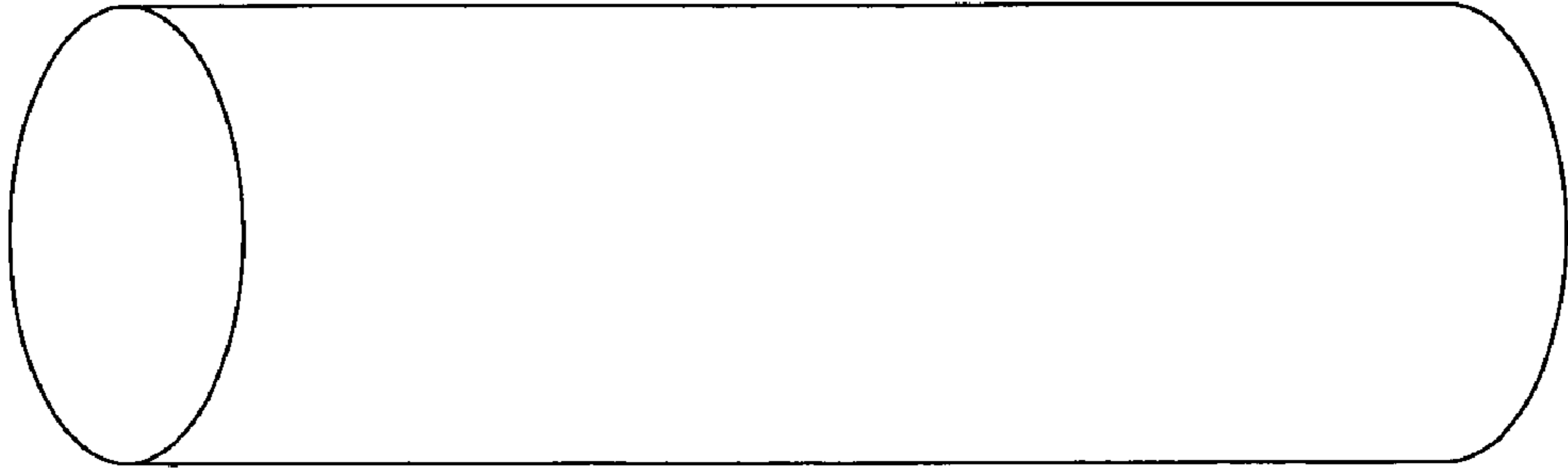


FIG. 7

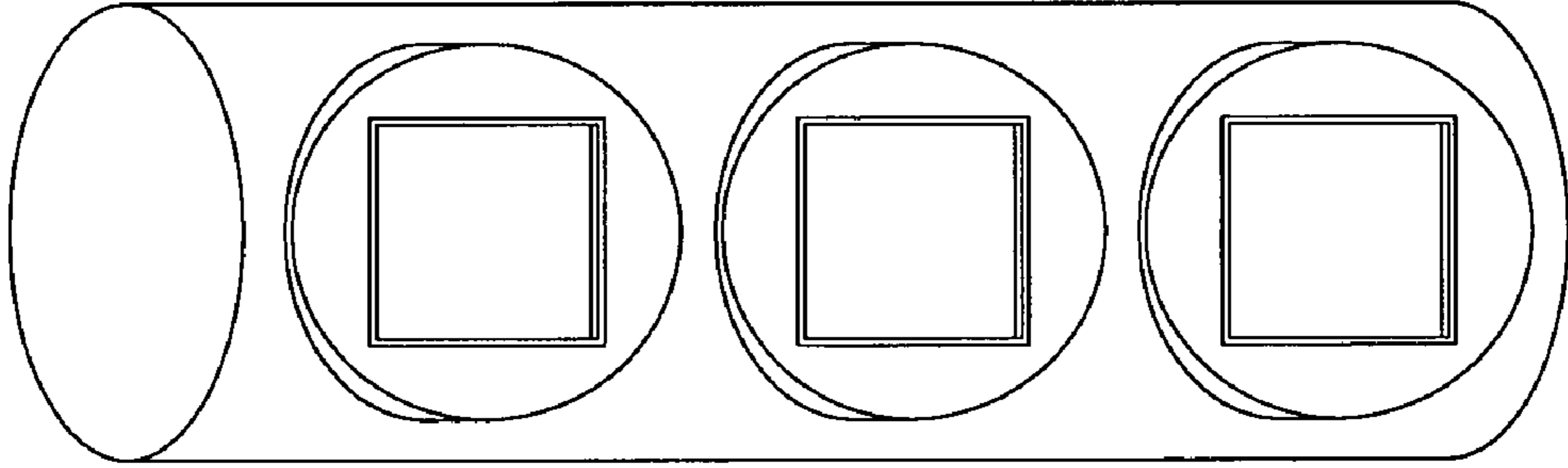


FIG. 6

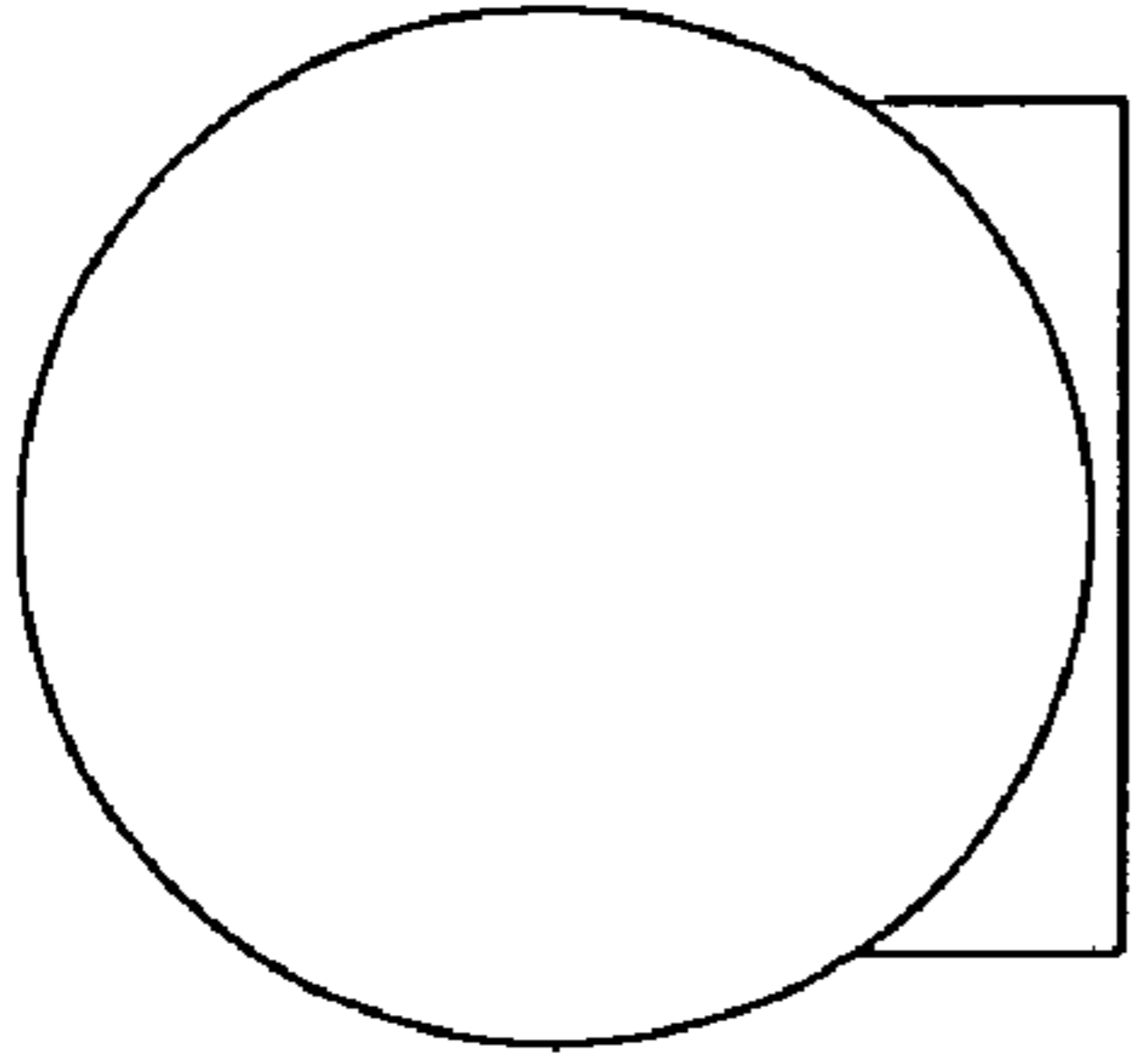


FIG. 4

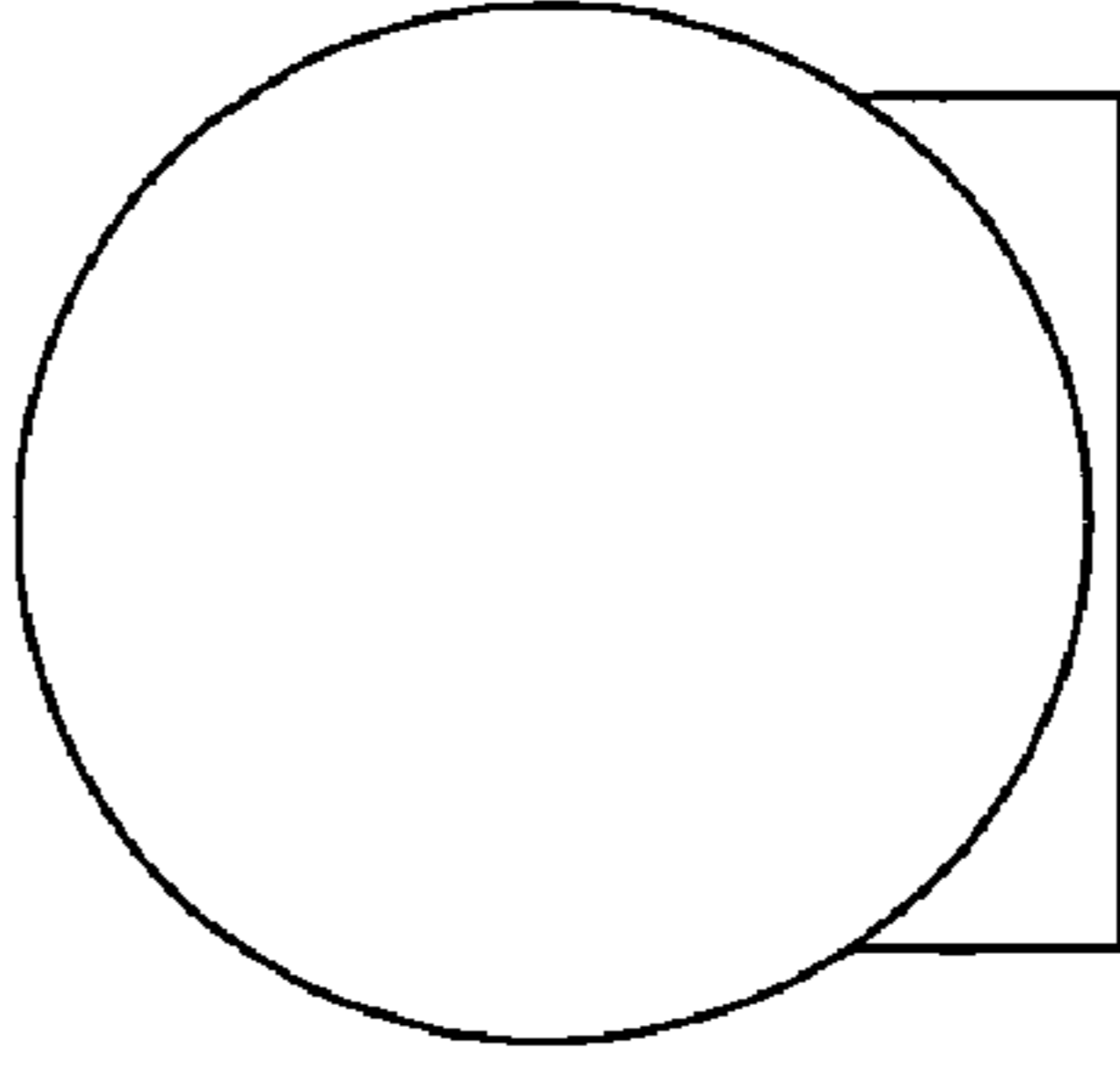


FIG. 5

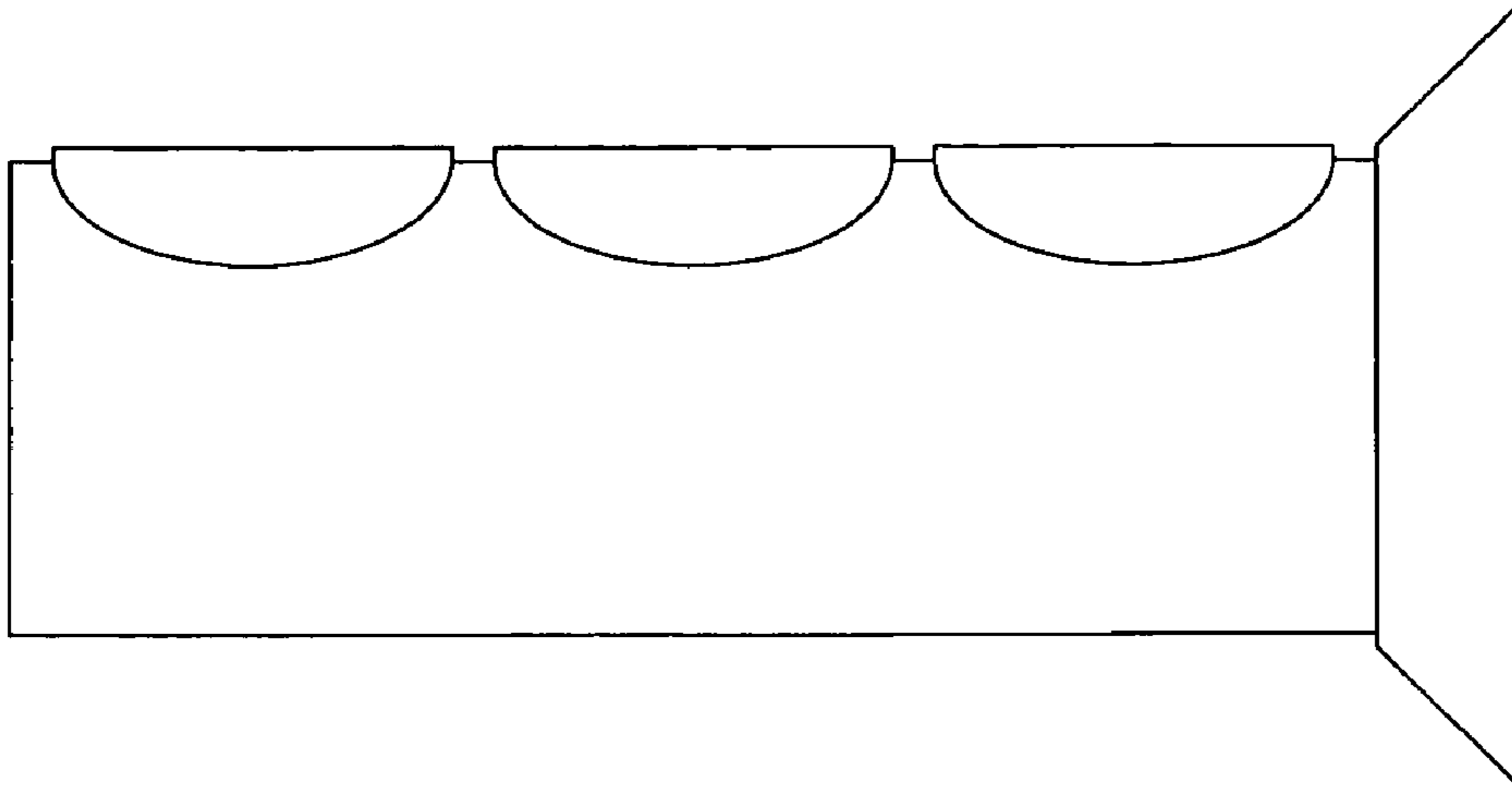


FIG. 10

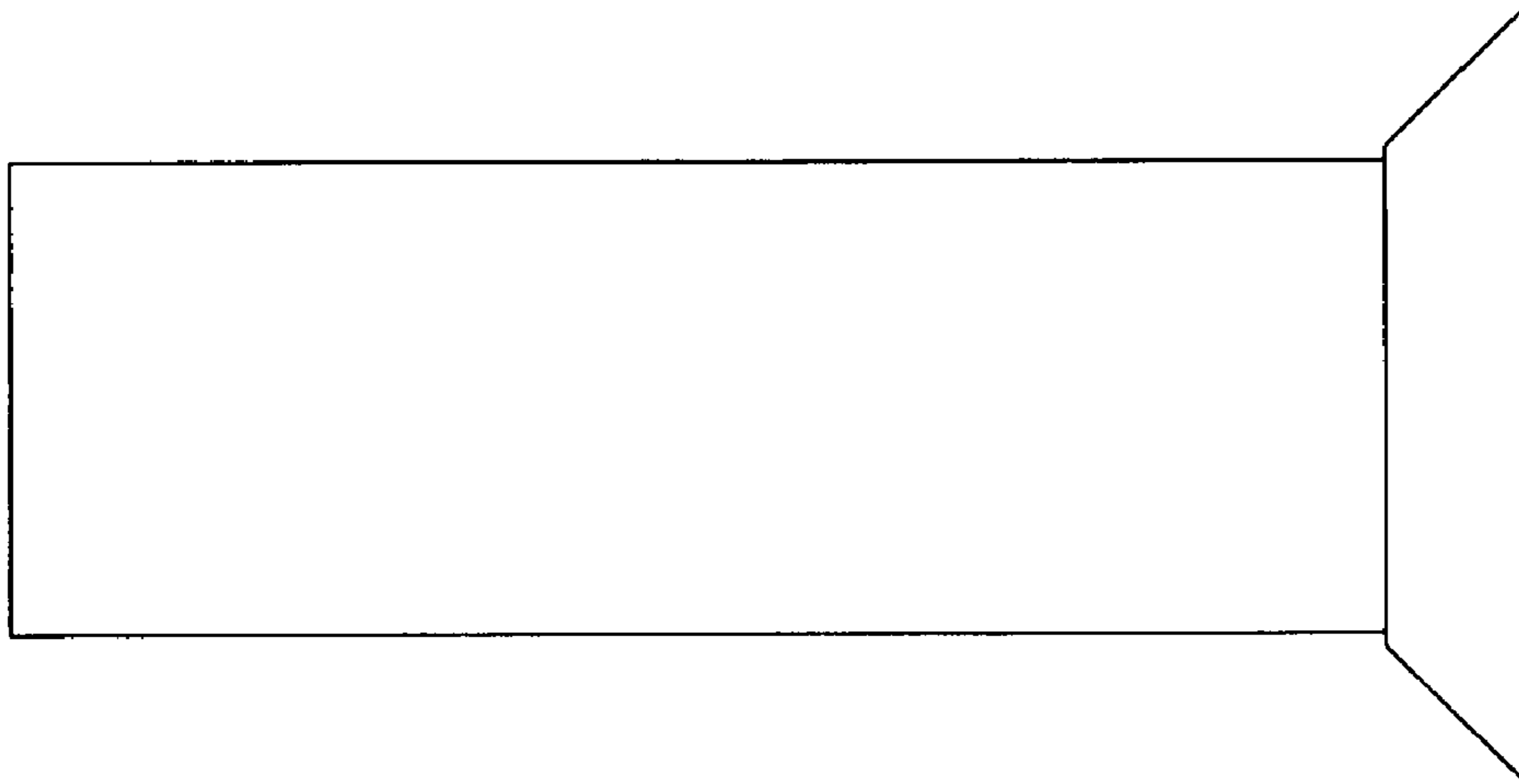


FIG. 9

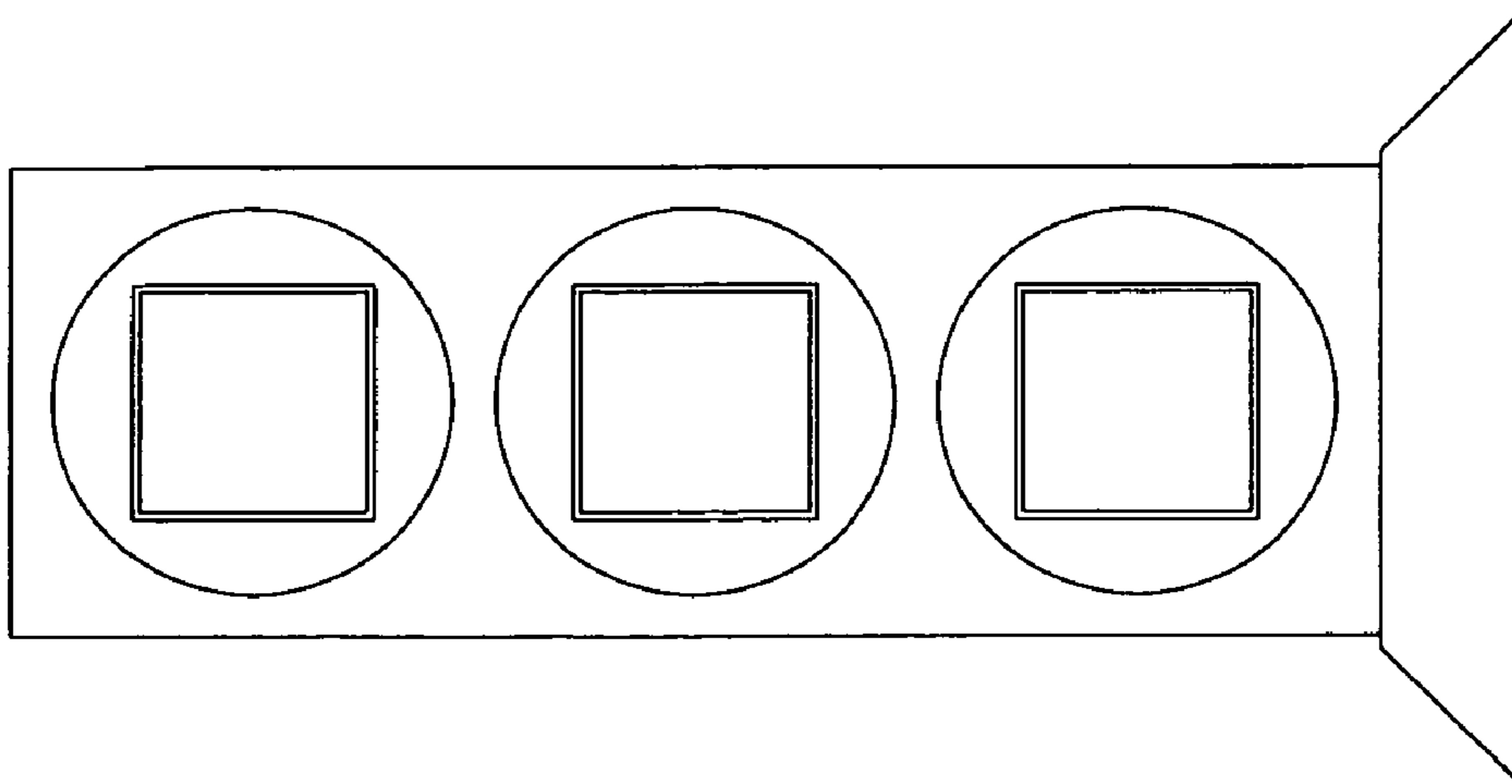


FIG. 8

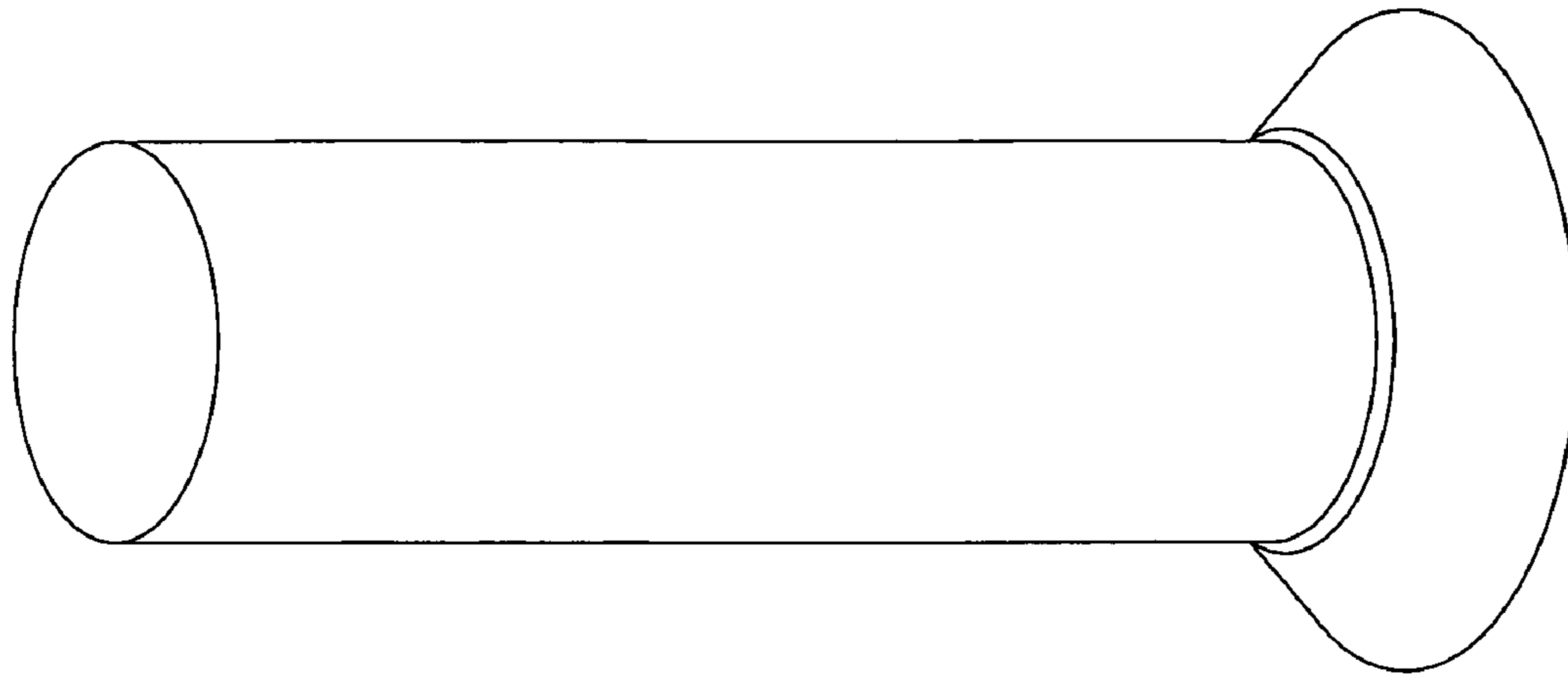


FIG. 14

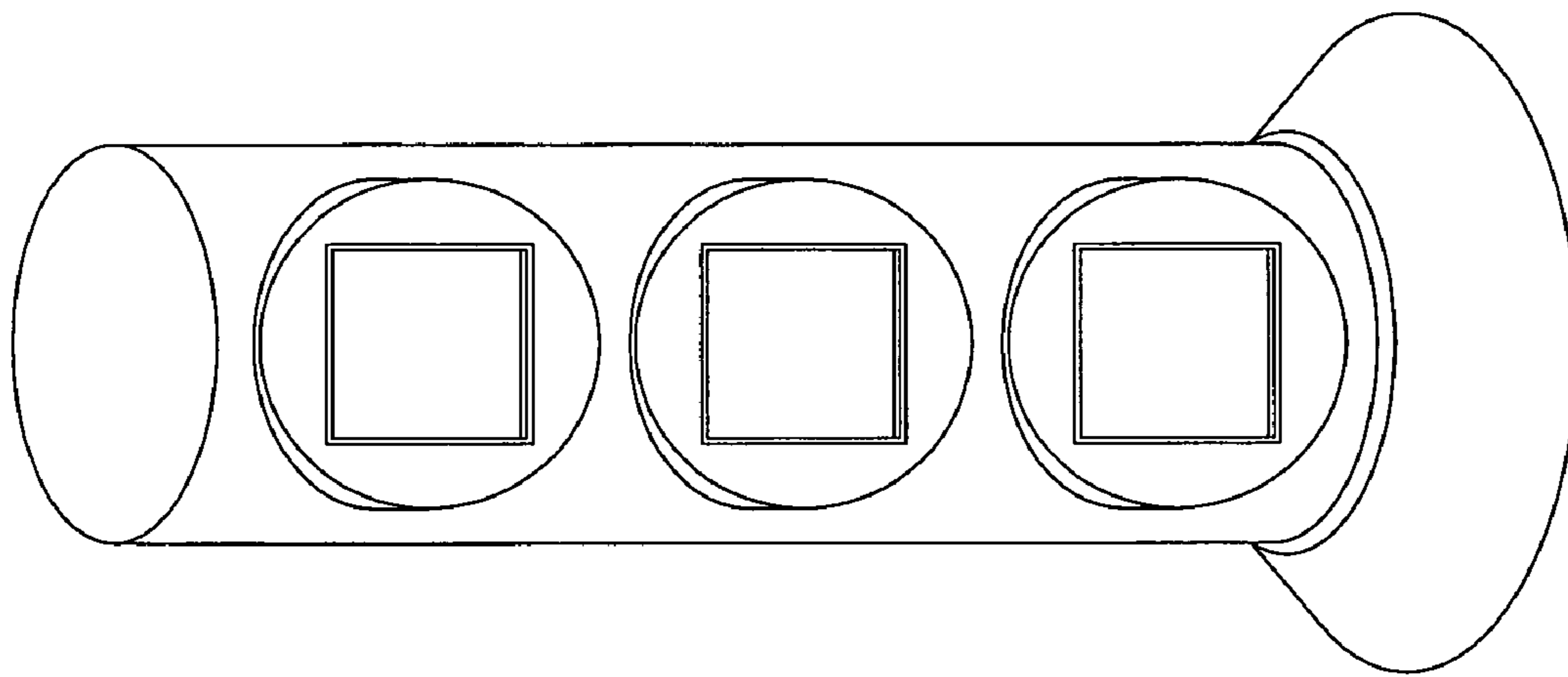


FIG. 13

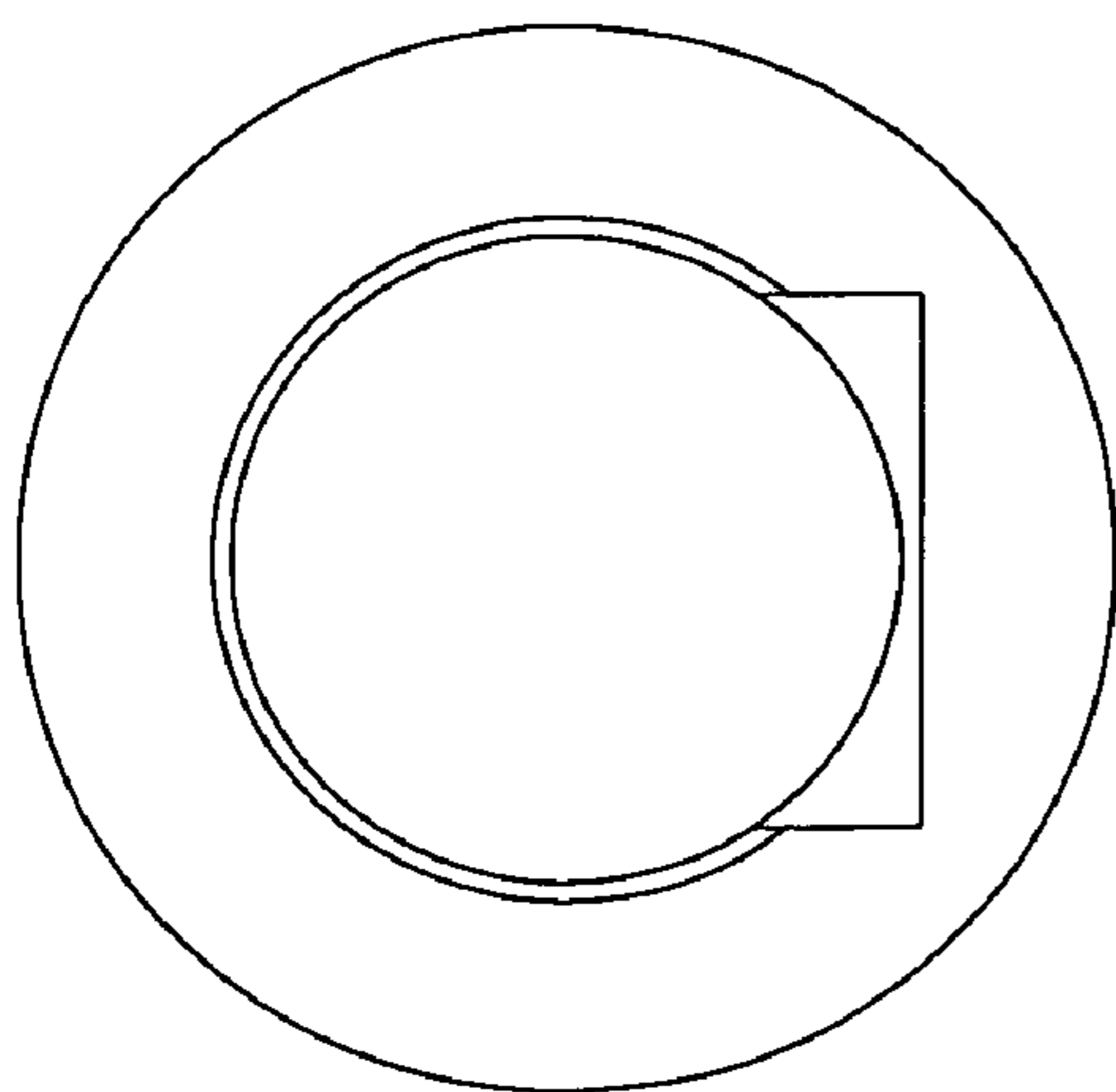


FIG. 11

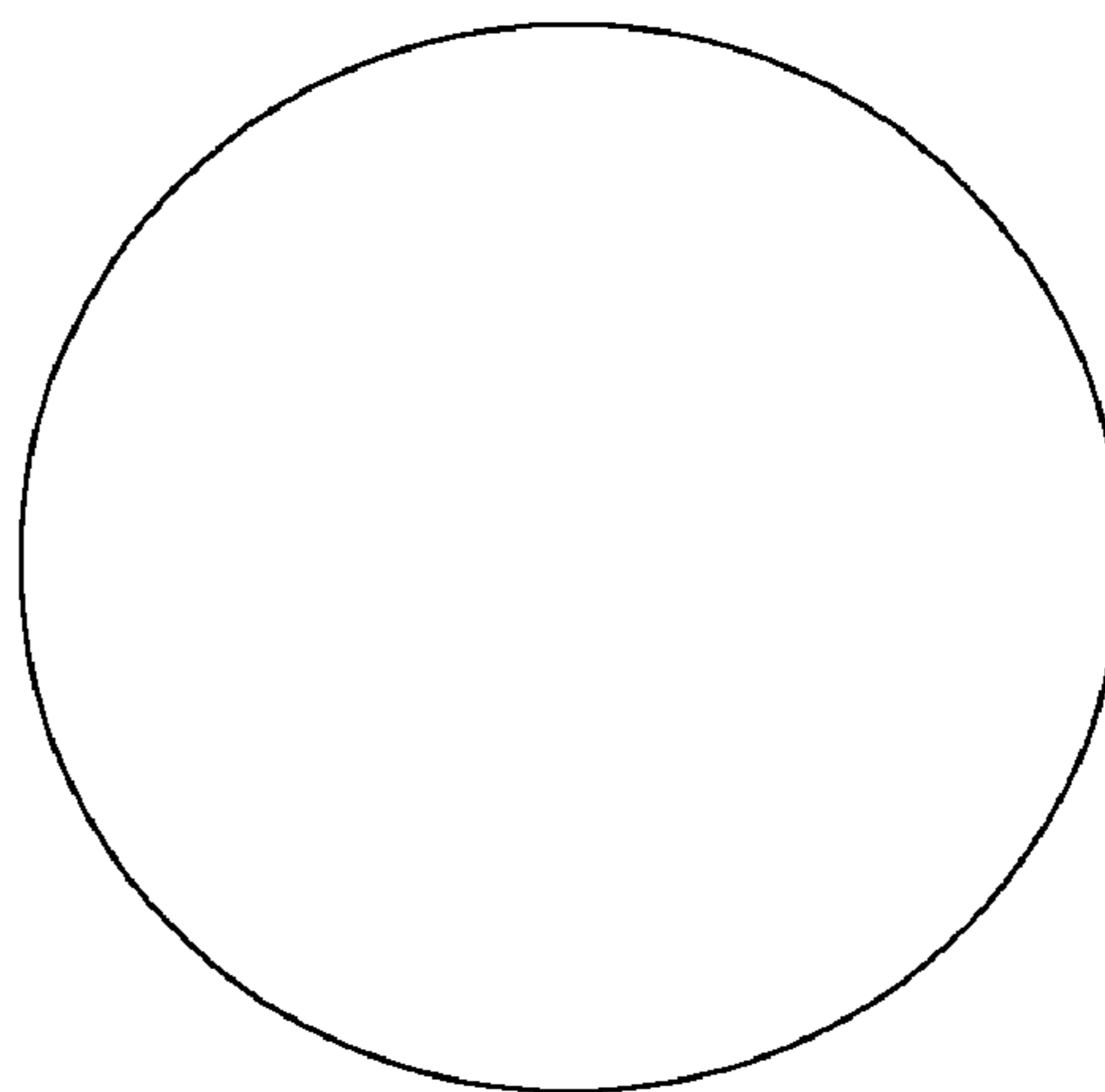


FIG. 12