



US00D589009S

(12) **United States Design Patent**
Sumitani

(10) **Patent No.:** **US D589,009 S**
(45) **Date of Patent:** **** Mar. 24, 2009**

(54) **LIGHT EMITTING DIODE**

(75) Inventor: **Naofumi Sumitani**, Itano-gun (JP)

(73) Assignee: **Nichia Corporation**, Anan-shi (JP)

(**) Term: **14 Years**

(21) Appl. No.: **29/287,545**

(22) Filed: **Aug. 20, 2007**

Sep. 9, 2003 (JP) 2003-026241
Sep. 9, 2003 (JP) 2003-026242
Sep. 9, 2003 (JP) 2003-026243

(51) **LOC (9) Cl.** **13-03**
(52) **U.S. Cl.** **D13/180**
(58) **Field of Classification Search** D13/180;
D26/2; 257/79, 80, 81, 88, 89, 95, 98, 99,
257/100, 678, 680, 433, 434; 313/483, 498,
313/500; 362/55, 800; 361/820; 372/45.01;
D5/2, 6, 51, 60, 62, 63; D20/22, 28
See application file for complete search history.

Related U.S. Application Data

(62) Division of application No. 29/270,840, filed on Jan. 5, 2007, now Pat. No. Des. 553,103, which is a division of application No. 29/265,890, filed on Sep. 12, 2006, now Pat. No. Des. 539,760, which is a division of application No. 29/258,944, filed on May 1, 2006, now Pat. No. Des. 535,263, which is a division of application No. 29/244,841, filed on Dec. 15, 2005, now Pat. No. Des. 528,515, which is a division of application No. 29/226,509, filed on Mar. 30, 2005, now Pat. No. Des. 522,466, which is a division of application No. 29/200,831, filed on Mar. 5, 2004, now Pat. No. Des. 510,913.

(56) **References Cited**

U.S. PATENT DOCUMENTS

767,798 A * 8/1904 Clark 428/596

(Continued)

Primary Examiner—Selina Sikder
(74) *Attorney, Agent, or Firm*—Smith Patent Office

(57) **CLAIM**

I claim the ornamental design for a light emitting diode, as shown and described.

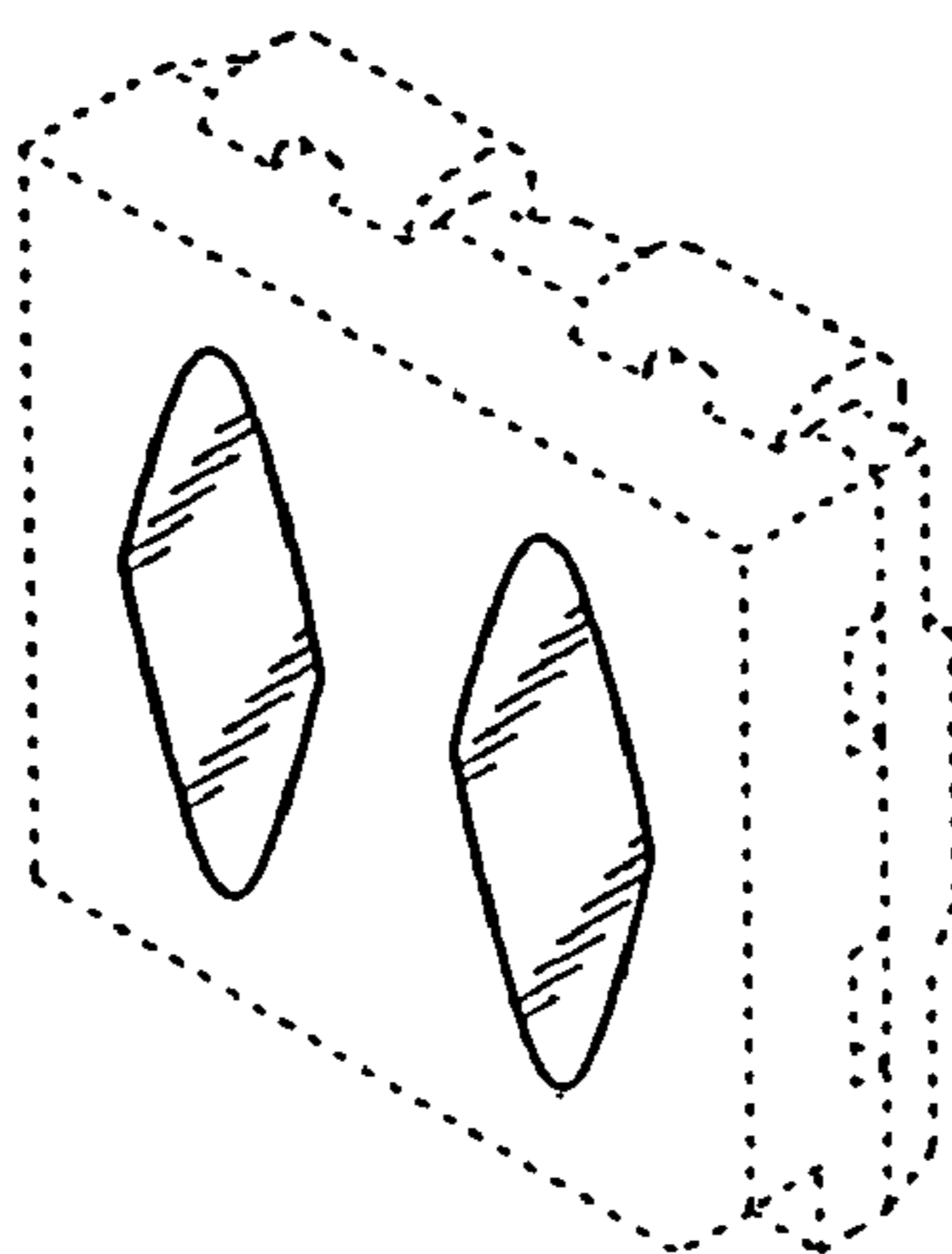
(30) **Foreign Application Priority Data**

Sep. 9, 2003 (JP) 2003-026194
Sep. 9, 2003 (JP) 2003-026195
Sep. 9, 2003 (JP) 2003-026227
Sep. 9, 2003 (JP) 2003-026228
Sep. 9, 2003 (JP) 2003-026229
Sep. 9, 2003 (JP) 2003-026230
Sep. 9, 2003 (JP) 2003-026231
Sep. 9, 2003 (JP) 2003-026232
Sep. 9, 2003 (JP) 2003-026233
Sep. 9, 2003 (JP) 2003-026234
Sep. 9, 2003 (JP) 2003-026235
Sep. 9, 2003 (JP) 2003-026236
Sep. 9, 2003 (JP) 2003-026237
Sep. 9, 2003 (JP) 2003-026238
Sep. 9, 2003 (JP) 2003-026239
Sep. 9, 2003 (JP) 2003-026240

DESCRIPTION

FIG. 1 is a front perspective view of a light emitting diode showing my new design;
FIG. 2 is a rear perspective view thereof;
FIG. 3 is a top plan view thereof;
FIG. 4 is a left side elevation view thereof;
FIG. 5 is a front elevation view thereof;
FIG. 6 is a right side elevation view thereof;
FIG. 7 is a bottom plan view thereof; and,
FIG. 8 is a rear elevation view thereof.
The broken line showing of the environment is for illustrative purpose only and forms no part of the claimed design.

1 Claim, 2 Drawing Sheets



US D589,009 S

Page 2

U.S. PATENT DOCUMENTS

D215,583 S *	10/1969	Hooton	D5/2	6,717,256 B1	4/2004	Suzuki et al.	
D370,351 S *	6/1996	Marks	D5/63	D490,387 S	5/2004	Yagi	
5,919,556 A *	7/1999	Barnholtz	428/218	D491,899 S	6/2004	Yagi	
D428,930 S *	8/2000	Dunlap	D20/22	D494,550 S	8/2004	Hoshiba	
D432,095 S	10/2000	Seeger et al.		D495,304 S	8/2004	Kim et al.	
D437,798 S	2/2001	Kiba et al.		D508,233 S *	8/2005	Kasae et al.	D13/180
D439,351 S	3/2001	Kiba et al.		D510,913 S	10/2005	Sumitani	
6,355,946 B1	3/2002	Ishinaga		D522,466 S	6/2006	Sumitani	
6,483,623 B1	11/2002	Maruyama		D528,515 S	9/2006	Sumitani	
D471,166 S	3/2003	Oshio et al.		D535,263 S	1/2007	Sumitani	
6,624,491 B2	9/2003	Waitl et al.		D539,760 S	4/2007	Sumitani	
D482,337 S	11/2003	Kamada		D553,103 S *	10/2007	Sumitani	D13/180
				2005/0127816 A1	6/2005	Sumitani	

* cited by examiner

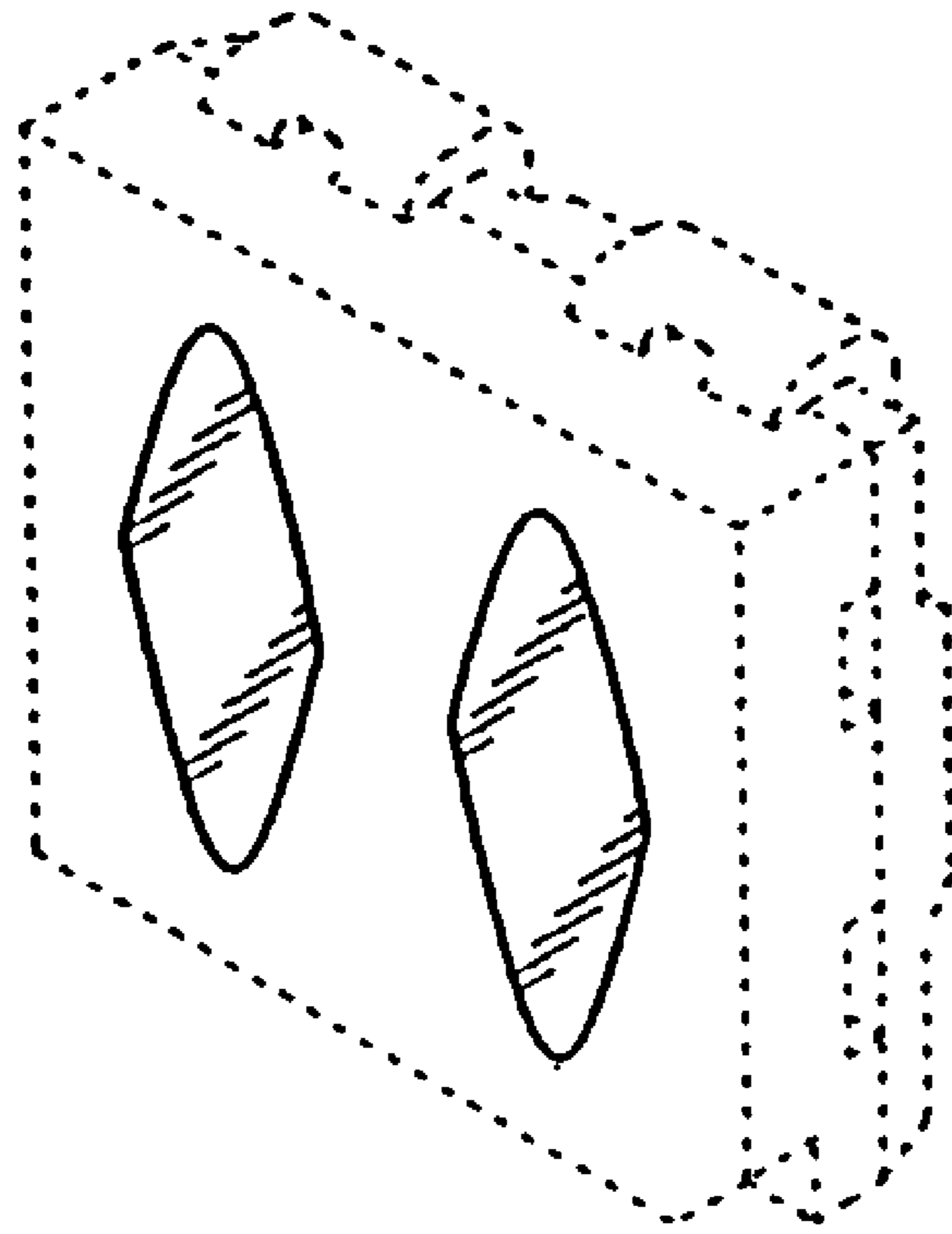


Fig. 1

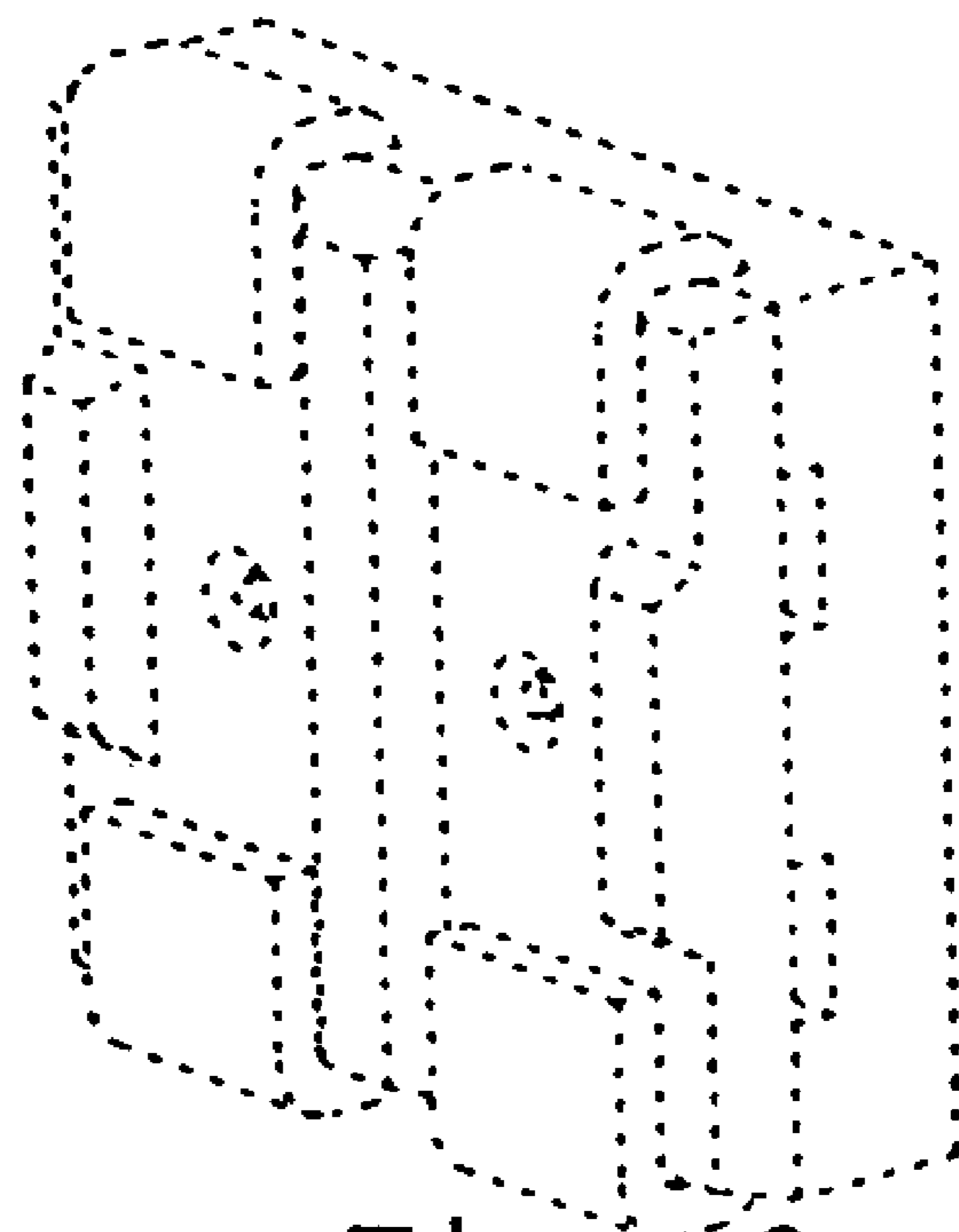


Fig. 2

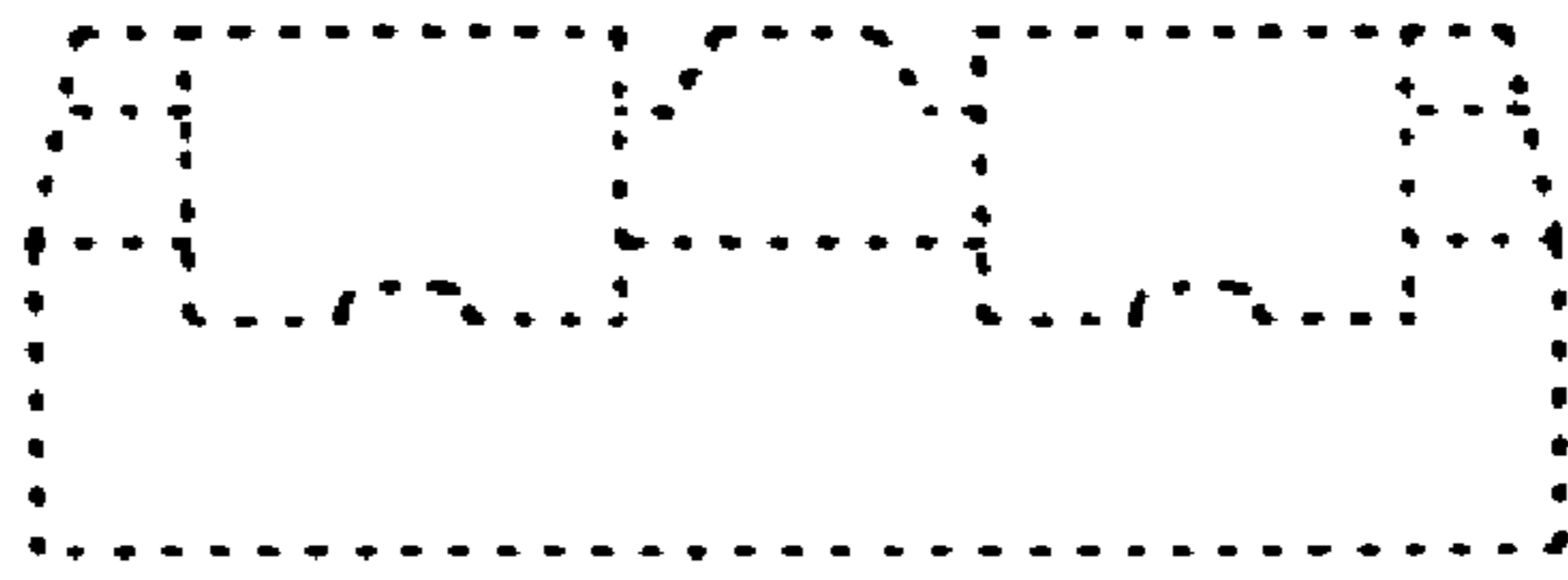


Fig. 3

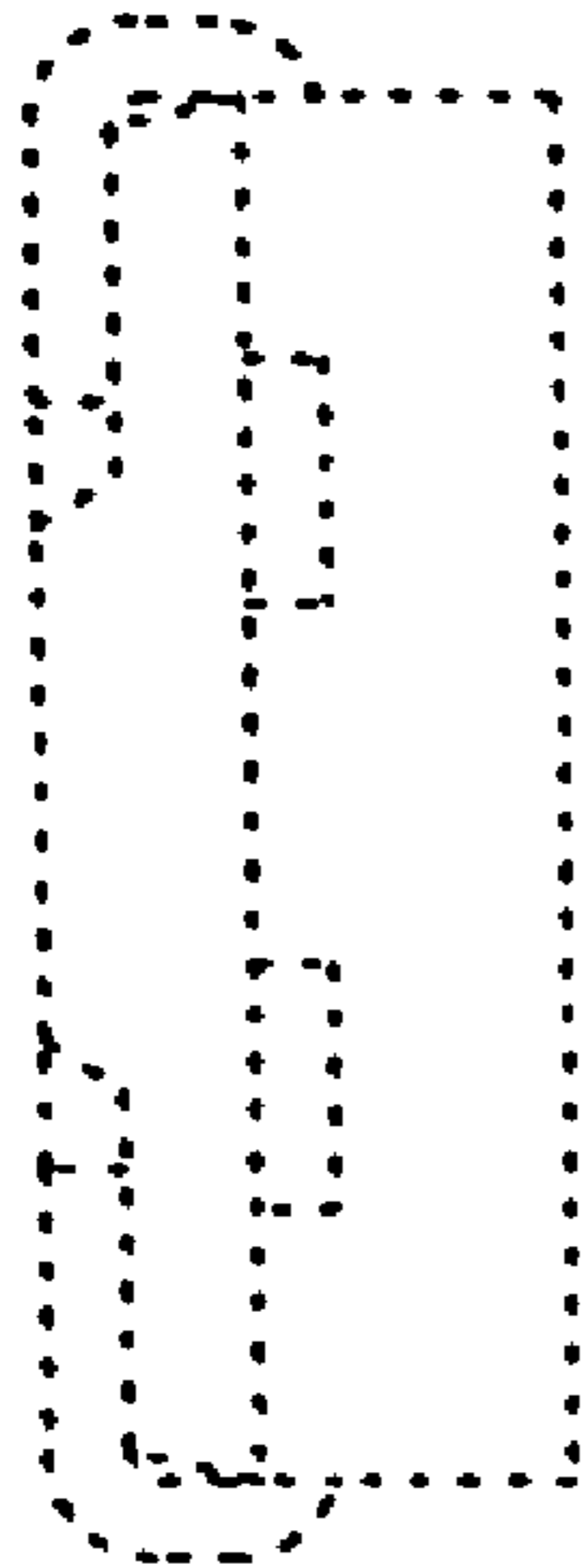


Fig. 4

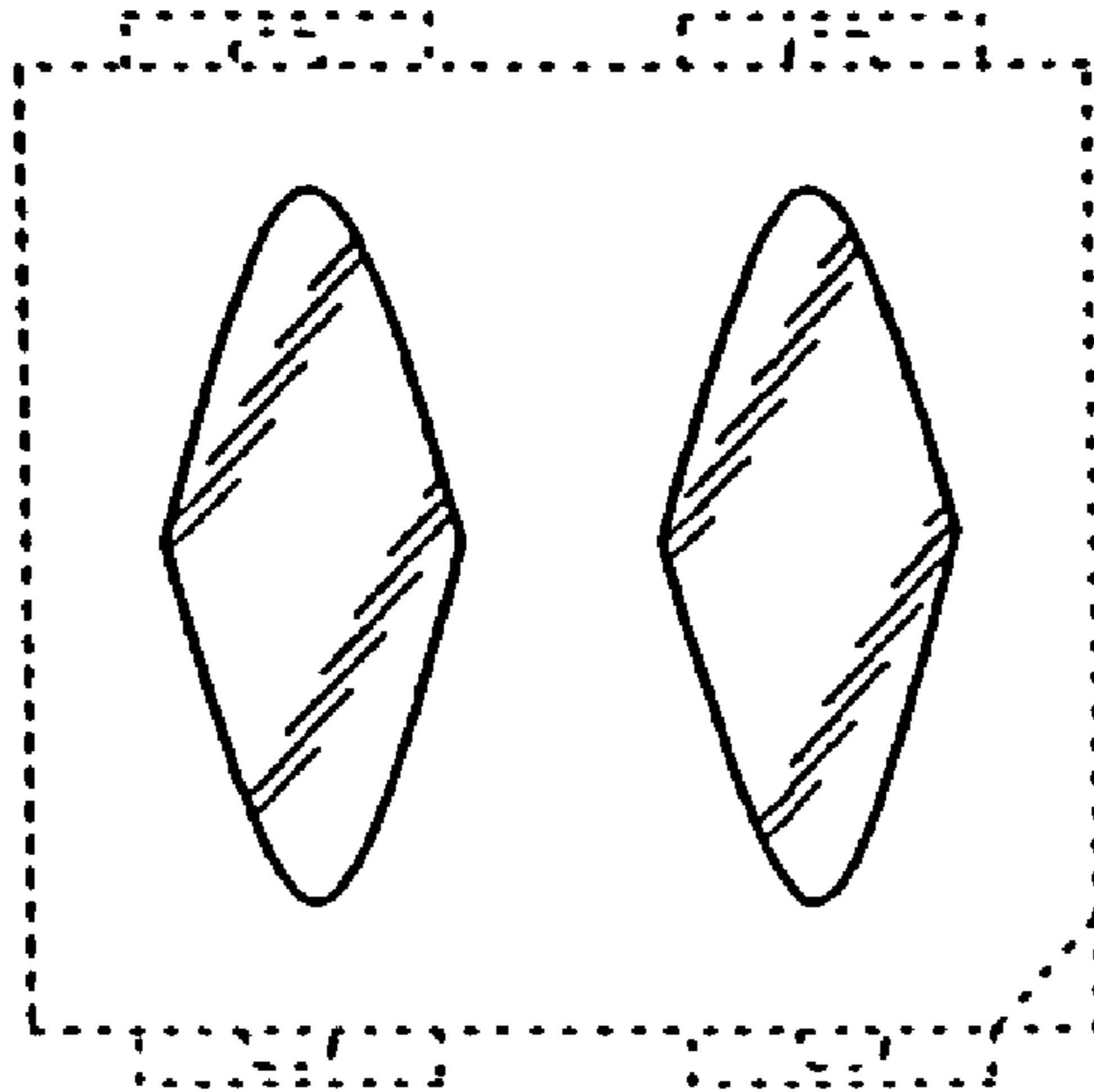


Fig. 5

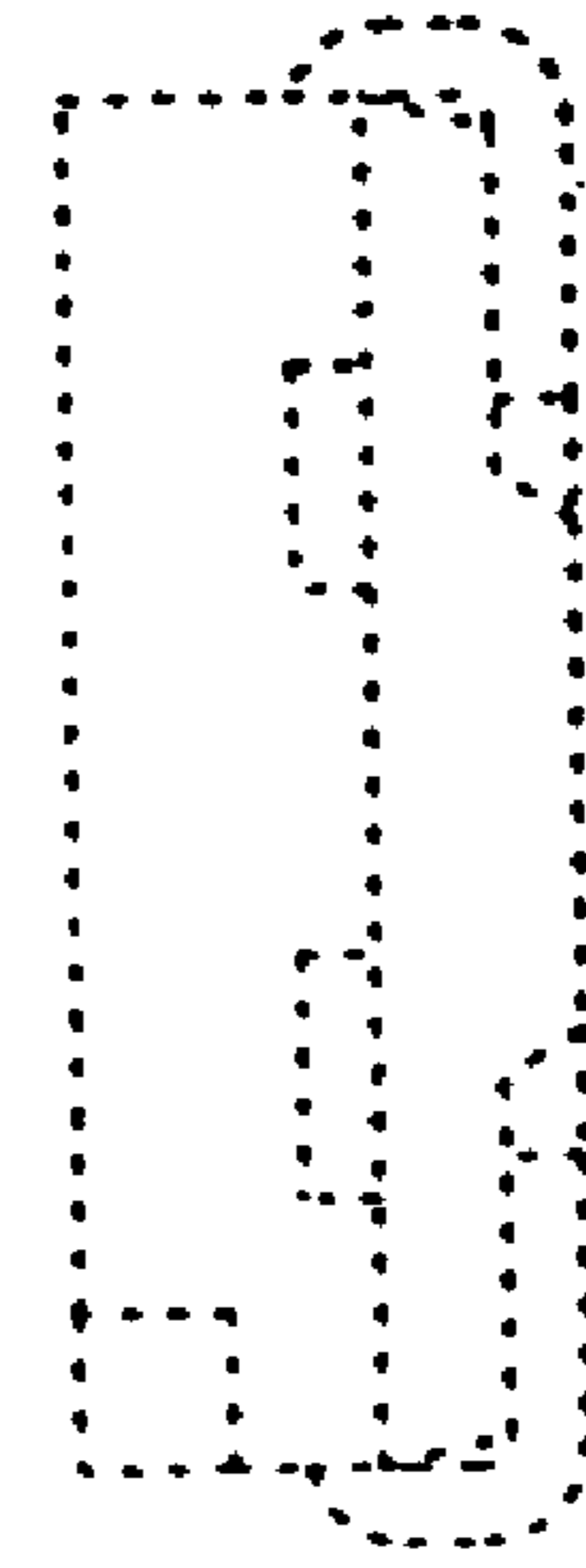


Fig. 6

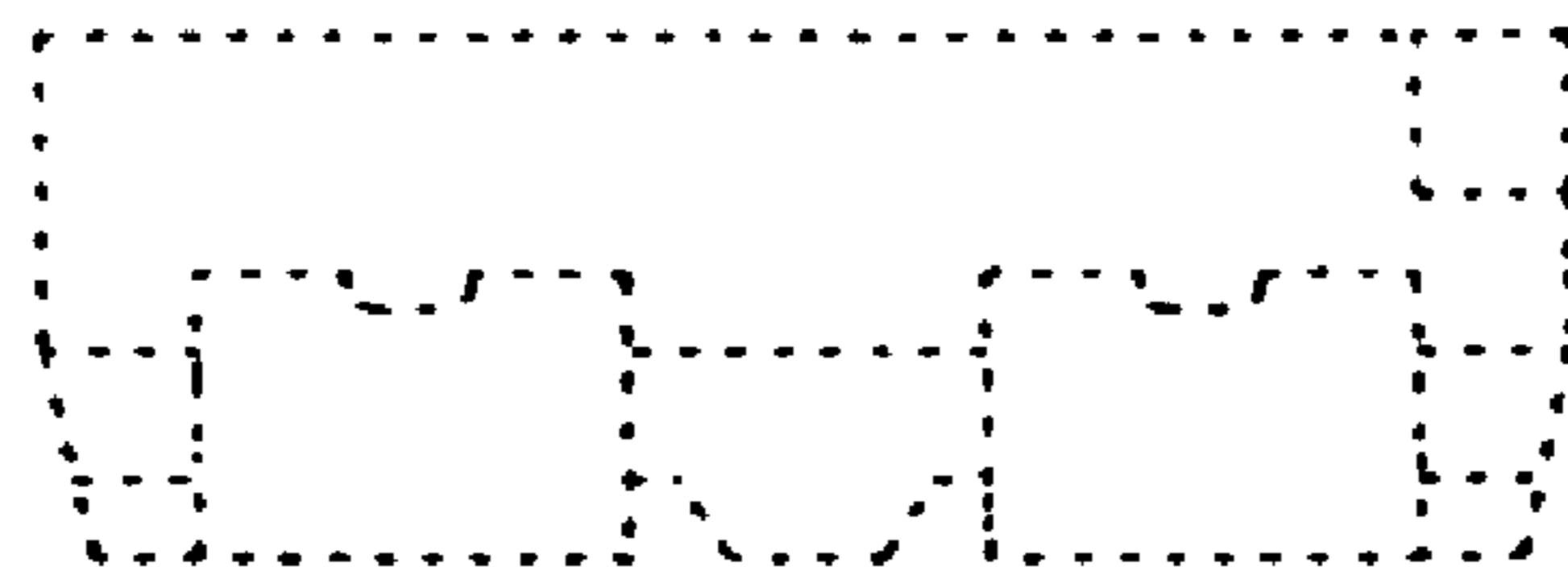


Fig. 7

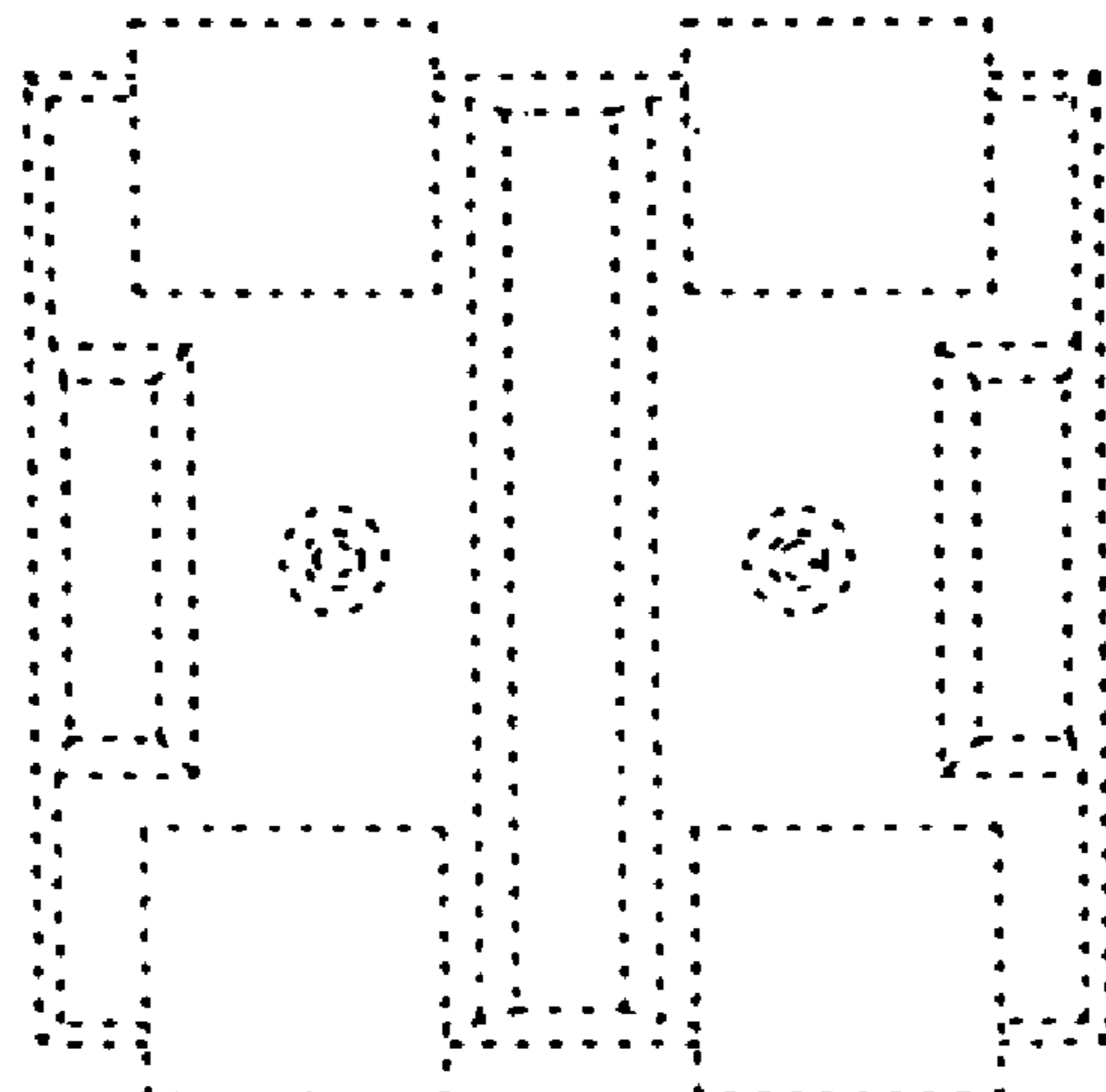


Fig. 8