



US00D589007S

(12) **United States Design Patent**  
**Horng et al.**

(10) **Patent No.:** **US D589,007 S**  
(45) **Date of Patent:** **\*\* \*Mar. 24, 2009**

- (54) **MINI FAN CASING**
- (75) Inventors: **Alex Horng**, Ling Ya Dt. (TW);  
**Tso-Kuo Yin**, Ling Ya Dt. (TW)
- (73) Assignee: **Sunowearth Electric Machine Industry Co., Ltd.**, Kaoshiung (TW)
- (\*) Notice: This patent is subject to a terminal disclaimer.
- (\*\*) Term: **14 Years**
- (21) Appl. No.: **29/300,214**
- (22) Filed: **Feb. 29, 2008**

D357,900 S	5/1995	Katsui et al.
5,419,780 A	5/1995	Suski
5,484,262 A	1/1996	Thomas et al.
5,494,098 A	2/1996	Morosas
5,597,034 A	1/1997	Barker, III et al.
5,704,419 A	1/1998	Agonafer et al.
6,084,328 A *	7/2000	Yamashita et al. .... 310/90
6,157,104 A *	12/2000	Yokozawa et al. .... 310/58
6,309,190 B1 *	10/2001	Chen ..... 417/423.1
6,345,664 B1	2/2002	Katsui
6,655,929 B2	12/2003	Hsieh
7,021,906 B2 *	4/2006	Chang ..... 417/360
7,044,721 B2 *	5/2006	Horng et al. .... 417/423.7
2003/0015311 A1	1/2003	Lin et al.
2004/0124735 A1 *	7/2004	Hsiao ..... 310/257

\* cited by examiner

**Related U.S. Application Data**

- (63) Continuation-in-part of application No. 29/272,299, filed on Feb. 6, 2007, now Pat. No. Des. 581,374.

*Primary Examiner*—Selina Sikder

(74) *Attorney, Agent, or Firm*—Bacon & Thomas, PLLC

**Foreign Application Priority Data**

Oct. 5, 2006 (TW) ..... 95305554

(57) **CLAIM**

The ornamental design for mini fan casing, as shown and described.

- (51) **LOC (9) Cl.** ..... **13-03**
- (52) **U.S. Cl.** ..... **D13/179**
- (58) **Field of Classification Search** ..... D13/179;  
165/80.3, 104.33, 151, 122, 185; 257/706,  
257/707, 718-722; 361/687, 695, 697, 700,  
361/702, 704, 709, 710, 711, 719; 310/62,  
310/63, 67 R; 415/176; 417/354, 423.15,  
417/423.7; D23/370

See application file for complete search history.

**DESCRIPTION**

FIG. 1 is a perspective view of the mini fan casing in accordance with the claimed design;

FIG. 2 is a front elevation view thereof;

FIG. 3 is a rear elevation view thereof;

FIG. 4 is a left side elevation view thereof;

FIG. 5 is a right side elevation view thereof;

FIG. 6 is a top plan view thereof; and,

FIG. 7 is a bottom plan view thereof.

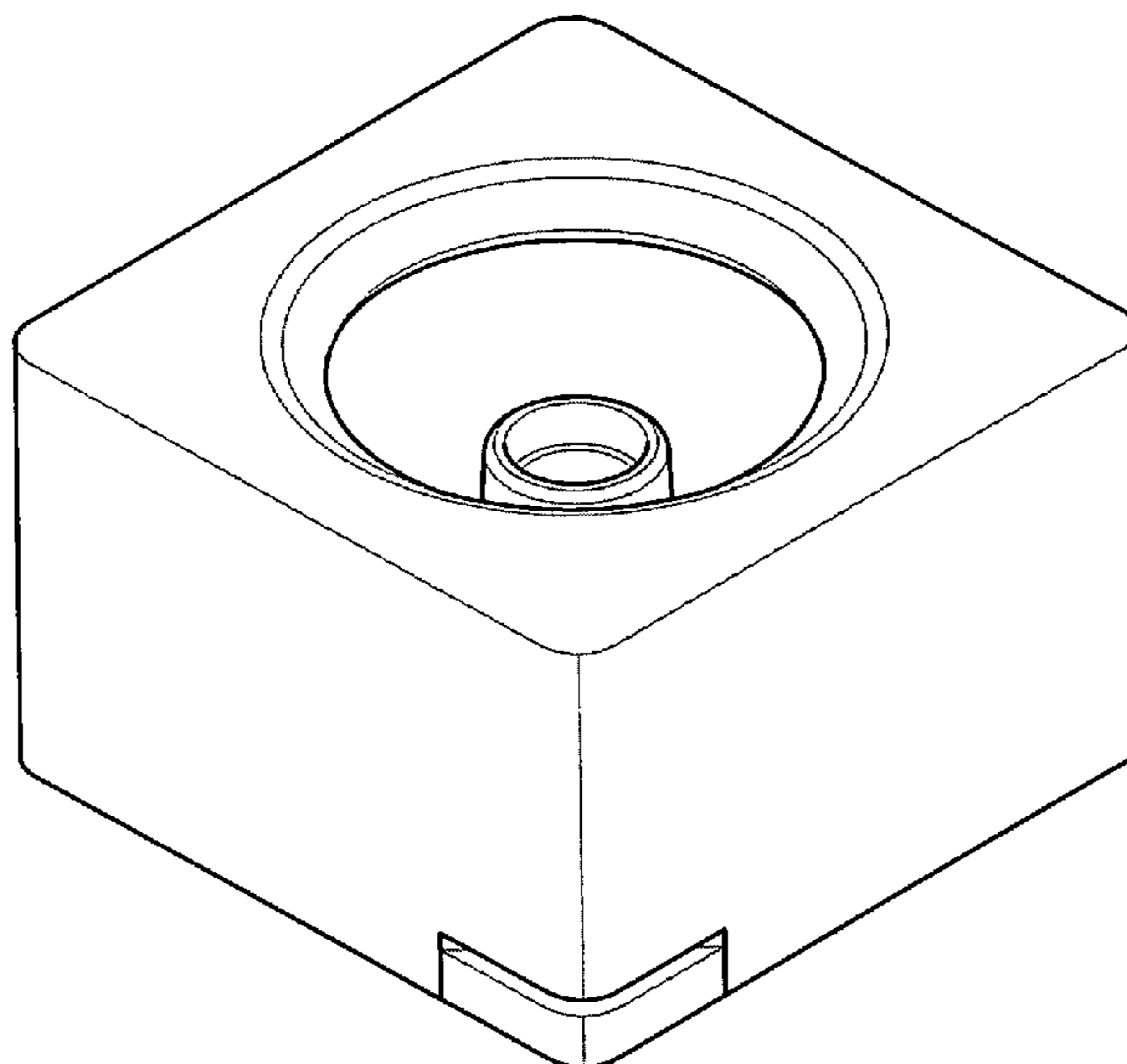
Wherein the broken lines define portions of the mini fan casing that form no part of the claimed design.

(56) **References Cited**

**U.S. PATENT DOCUMENTS**

- 5,297,617 A 3/1994 Herbert
- D356,777 S 3/1995 Katsui et al.

**1 Claim, 4 Drawing Sheets**



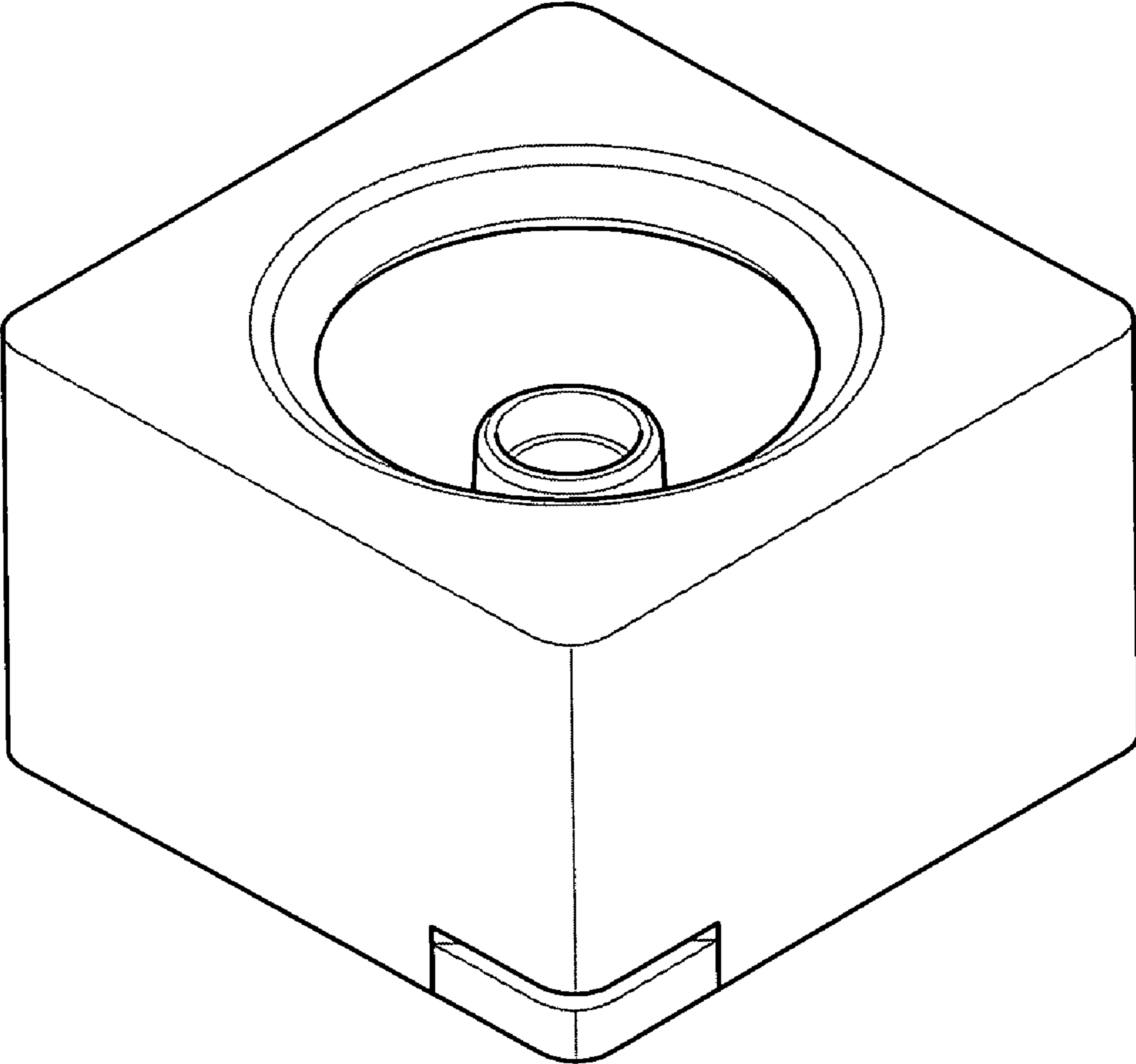


FIG. 1

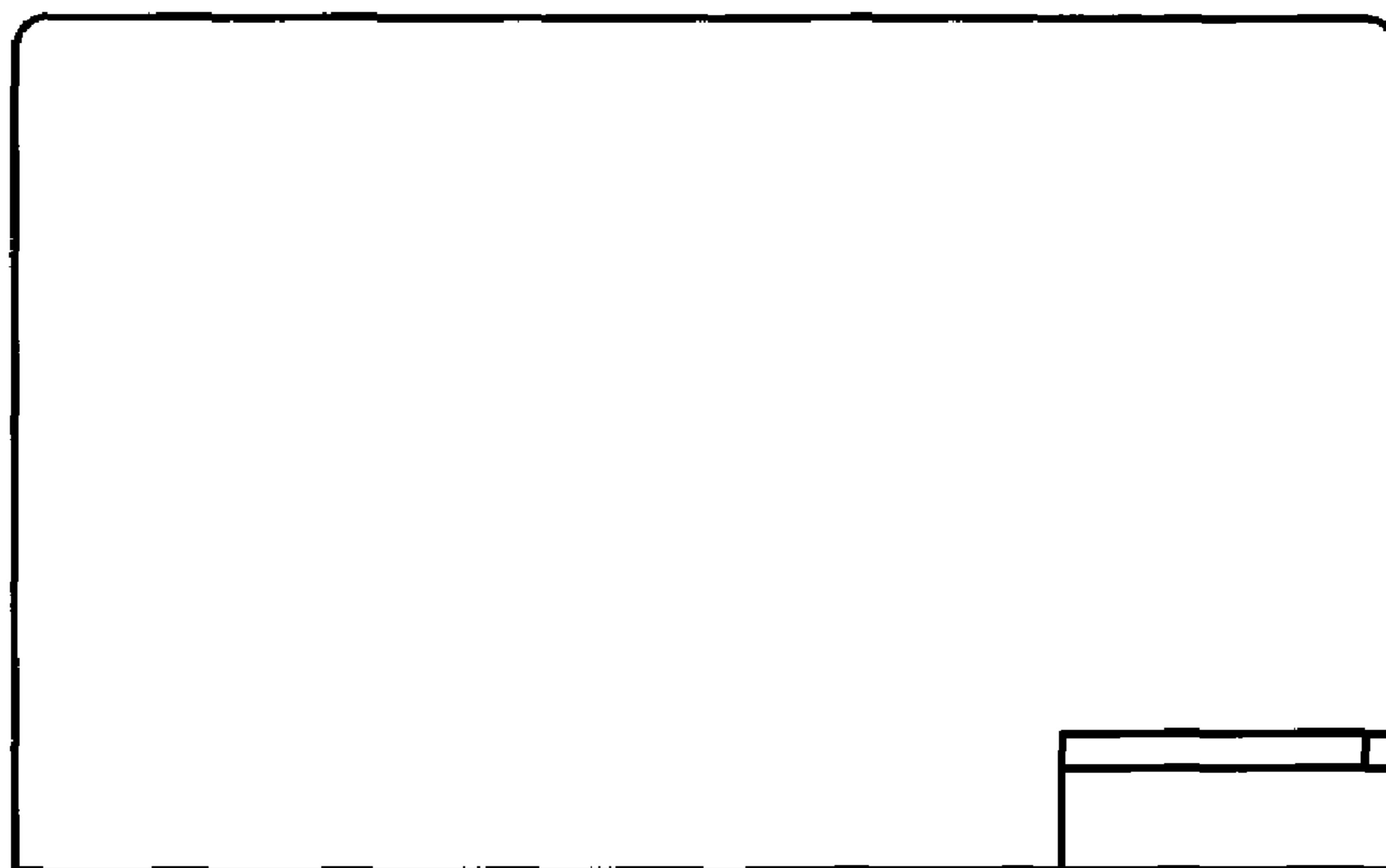


FIG. 2

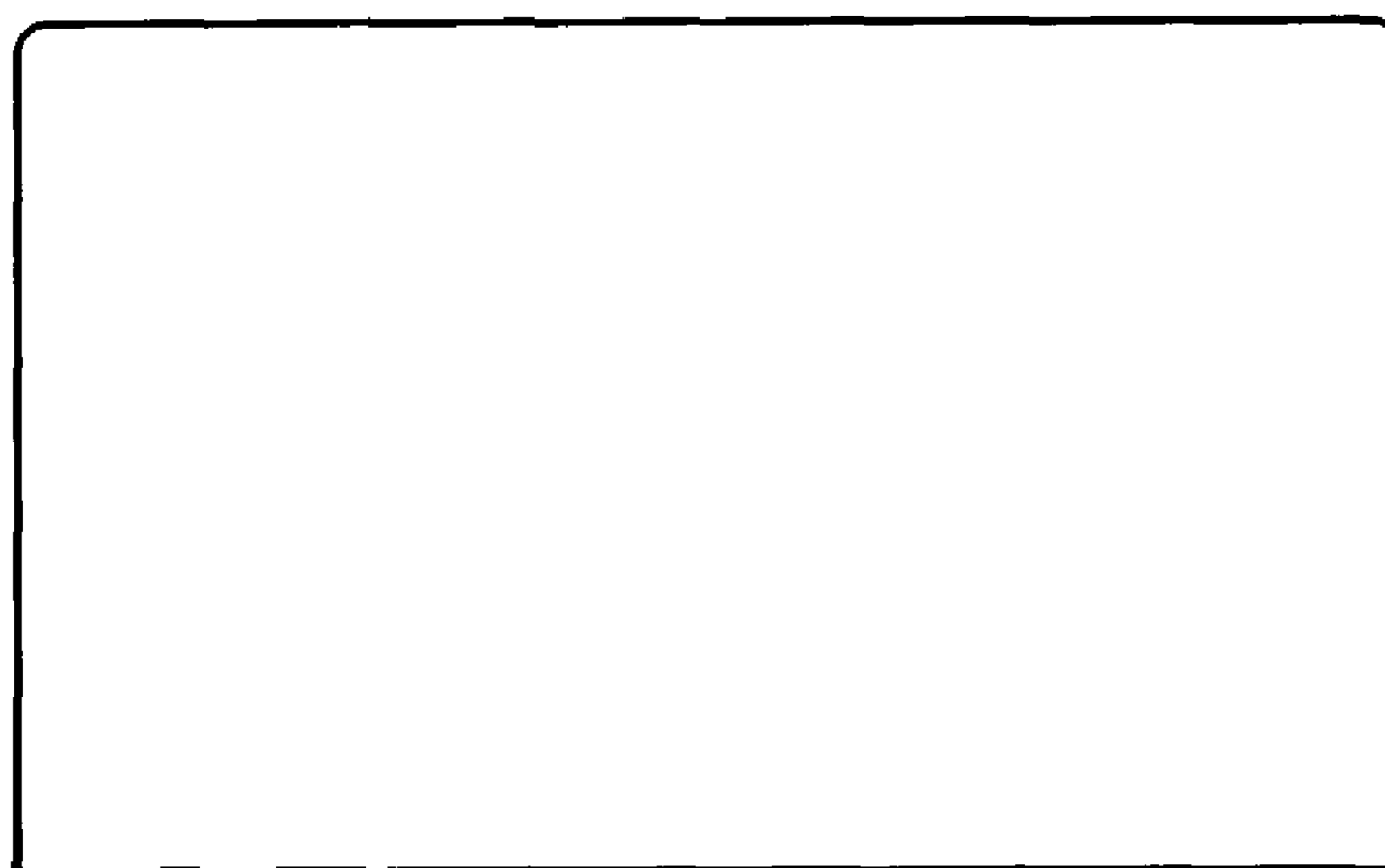


FIG. 3

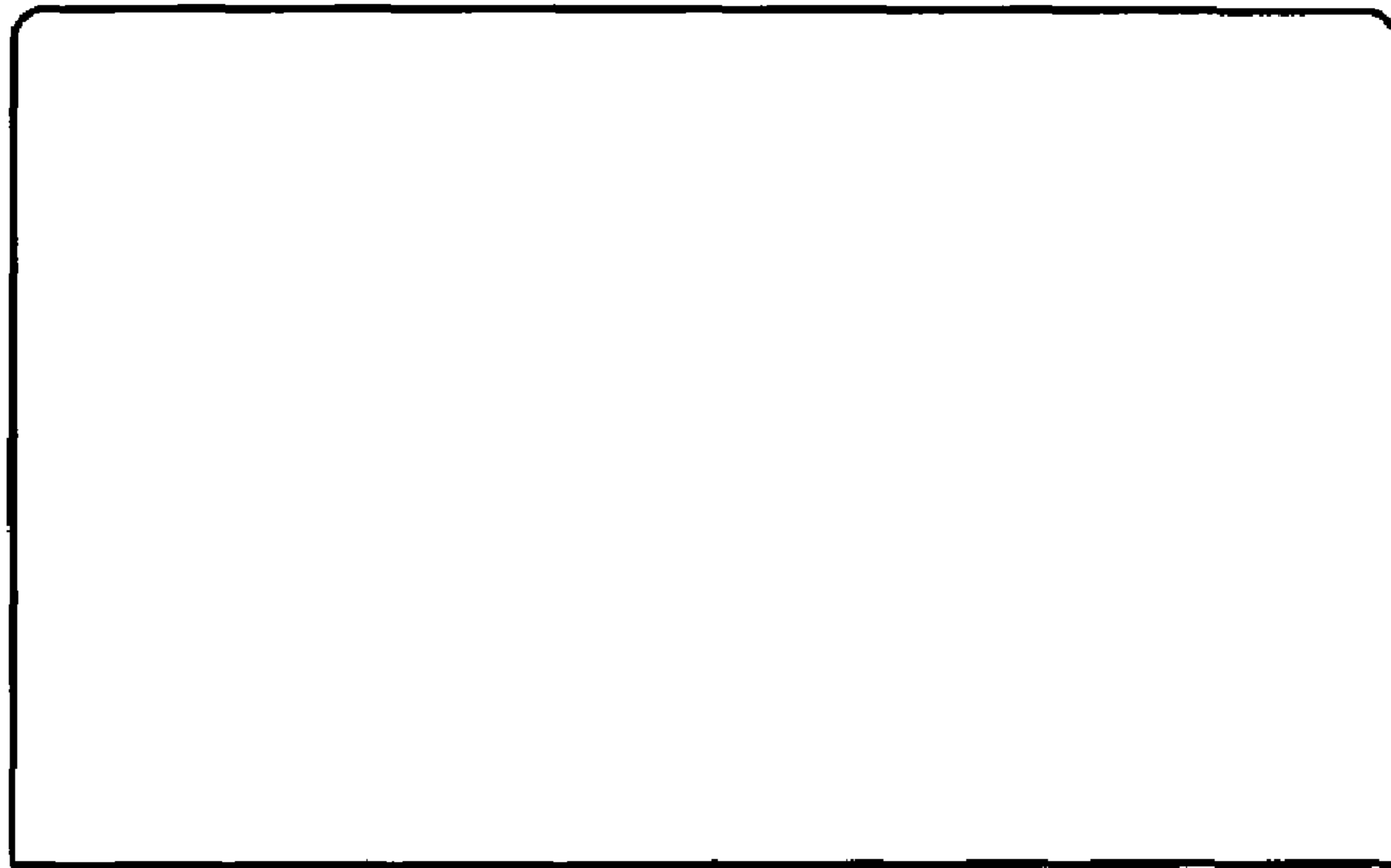


FIG. 4

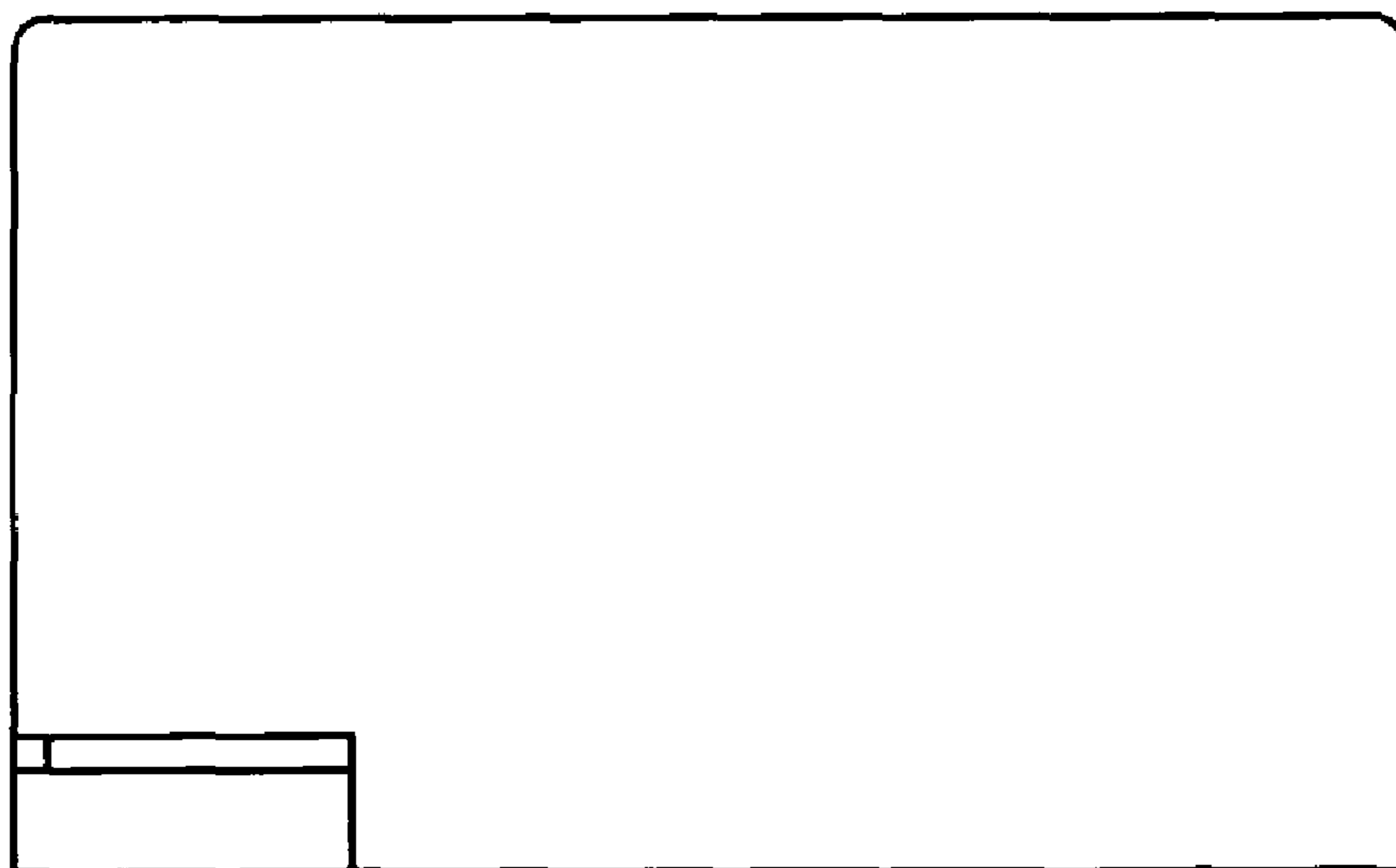


FIG. 5

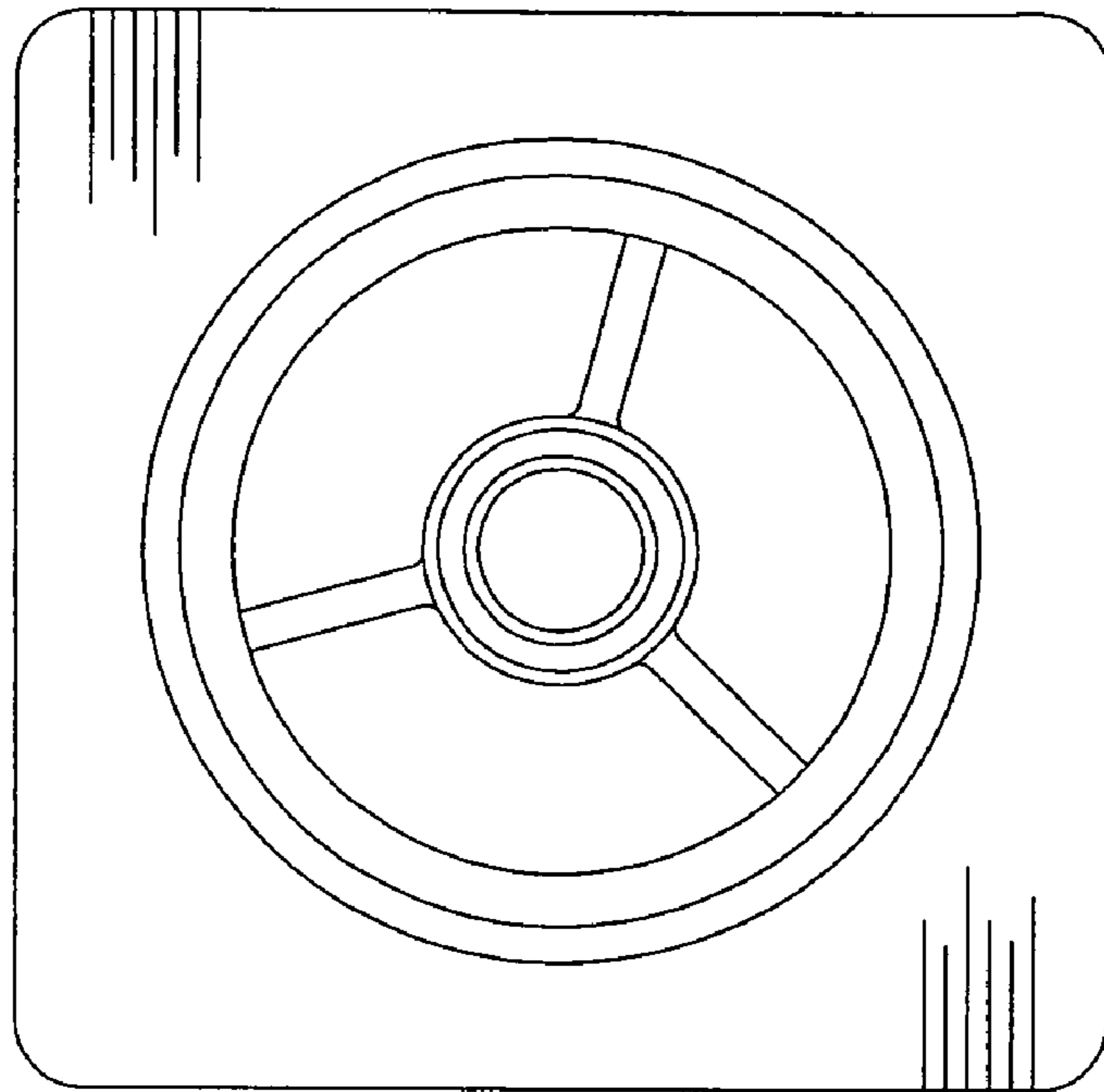


FIG. 6

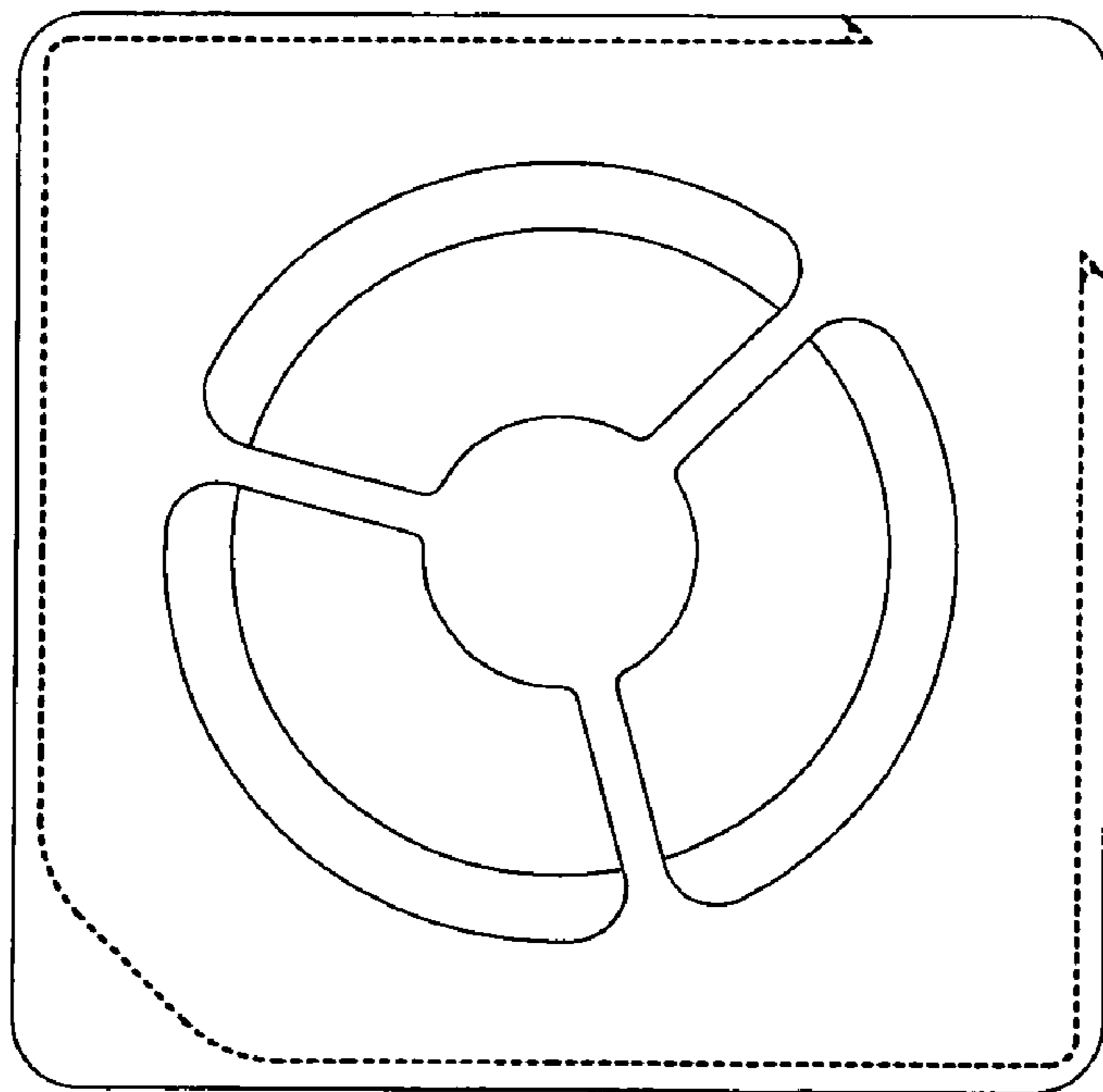


FIG. 7