



US00D589006S

(12) **United States Design Patent**
Horng et al.

(10) **Patent No.:** **US D589,006 S**
(45) **Date of Patent:** **** *Mar. 24, 2009**

- (54) **BLOWER CASING**
- (75) Inventors: **Alex Horng**, Kaohsiung (TW); **Tso-Kuo Yin**, Kaohsiung (TW)
- (73) Assignee: **Sunowalth Electric Machine Industry Co., Ltd.**, Kaoshiung (TW)
- (*) Notice: This patent is subject to a terminal disclaimer.
- (**) Term: **14 Years**
- (21) Appl. No.: **29/300,212**
- (22) Filed: **Feb. 29, 2008**

D357,900 S	5/1995	Katsui et al.	
5,419,780 A	5/1995	Suski	
5,484,262 A	1/1996	Thomas et al.	
5,494,098 A	2/1996	Morosas	
5,539,263 A *	7/1996	Lee	310/67 R
5,597,034 A	1/1997	Barker, III et al.	
5,704,419 A	1/1998	Agonafer et al.	
5,879,141 A *	3/1999	Yokozawa et al.	417/423.7
6,345,664 B1	2/2002	Katsui	
6,509,704 B1 *	1/2003	Brown	318/400.41
6,533,559 B2 *	3/2003	Hsieh	417/423.5
6,655,929 B2	12/2003	Hsieh	
7,121,697 B2 *	10/2006	Hsu	362/386
2002/0057022 A1 *	5/2002	Yamamoto	310/58
2003/0015311 A1	1/2003	Lin et al.	
2007/0114659 A1 *	5/2007	Chen et al.	310/63
2007/0194668 A1 *	8/2007	Teshima et al.	310/67 R

* cited by examiner

Related U.S. Application Data

- (63) Continuation-in-part of application No. 29/272,247, filed on Feb. 5, 2007.

Primary Examiner—Selina Sikder

(74) *Attorney, Agent, or Firm*—Bacon & Thomas, PLLC

(30) **Foreign Application Priority Data**

Oct. 5, 2006 (TW) 95305556

(57) **CLAIM**

The ornamental design for blower casing, as shown and described.

- (51) **LOC (9) Cl.** **13-03**
- (52) **U.S. Cl.** **D13/179**
- (58) **Field of Classification Search** D13/179;
165/80.3, 104.33, 151, 122, 185; 257/706,
257/707, 718–722; 361/687, 695, 697, 700,
361/702, 704, 709, 710, 711, 719; 310/62,
310/63, 67 R; 415/176; 417/354, 423.15,
417/423.7; D23/370, 411

See application file for complete search history.

DESCRIPTION

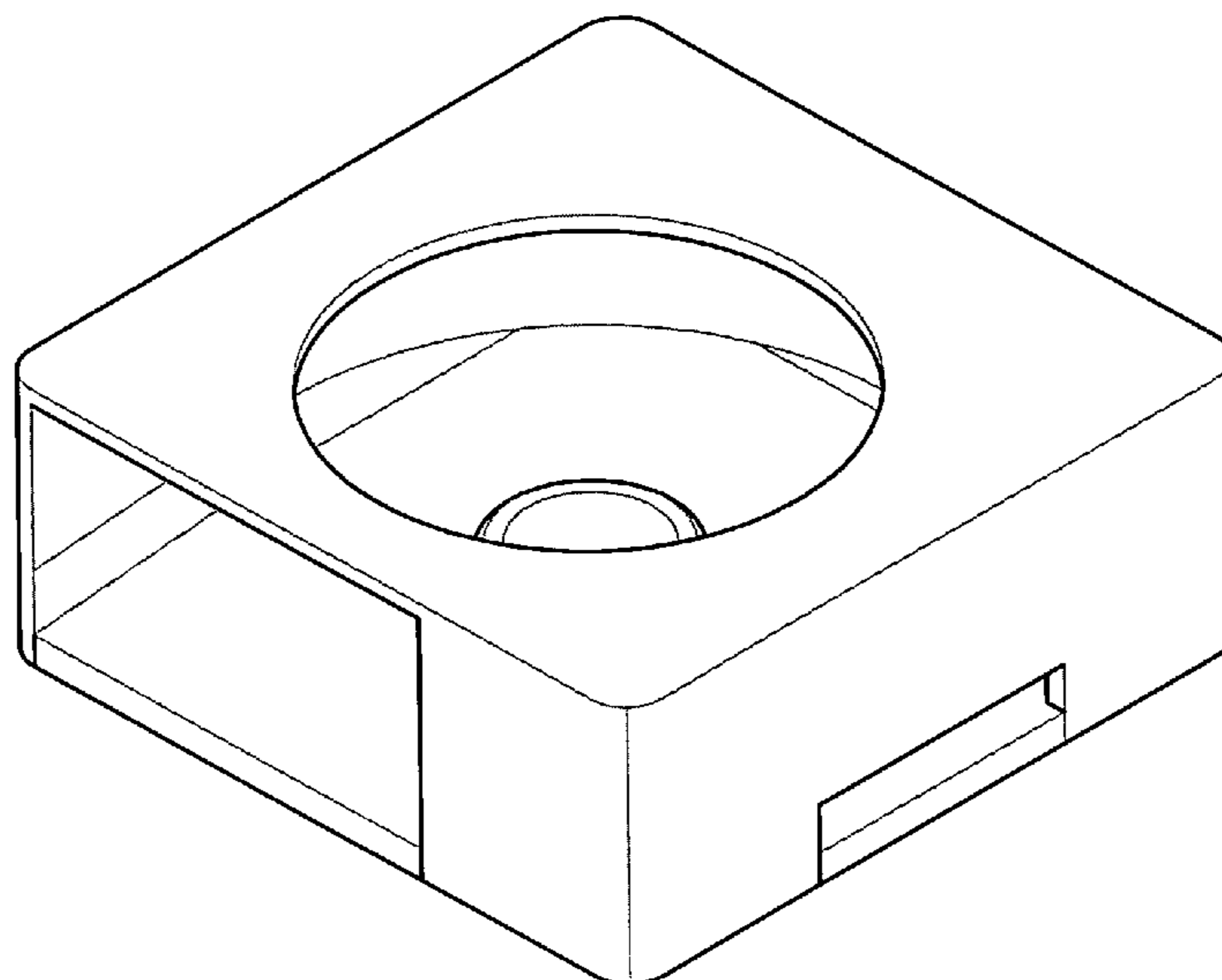
FIG. 1 is a perspective view of the blower casing in accordance with the claimed design;
 FIG. 2 is a front elevation view thereof;
 FIG. 3 is a rear elevation view thereof;
 FIG. 4 is a left side elevation view thereof;
 FIG. 5 is a right side elevation view thereof;
 FIG. 6 is a top plan view thereof; and,
 FIG. 7 is a bottom plan view thereof wherein the broken lines define portions of the mini fan casing that form no part of the claimed design.

(56) **References Cited**

U.S. PATENT DOCUMENTS

- 4,885,488 A * 12/1989 Cox 310/68 R
- 5,297,617 A 3/1994 Herbert
- D356,777 S 3/1995 Katsui et al.

1 Claim, 4 Drawing Sheets



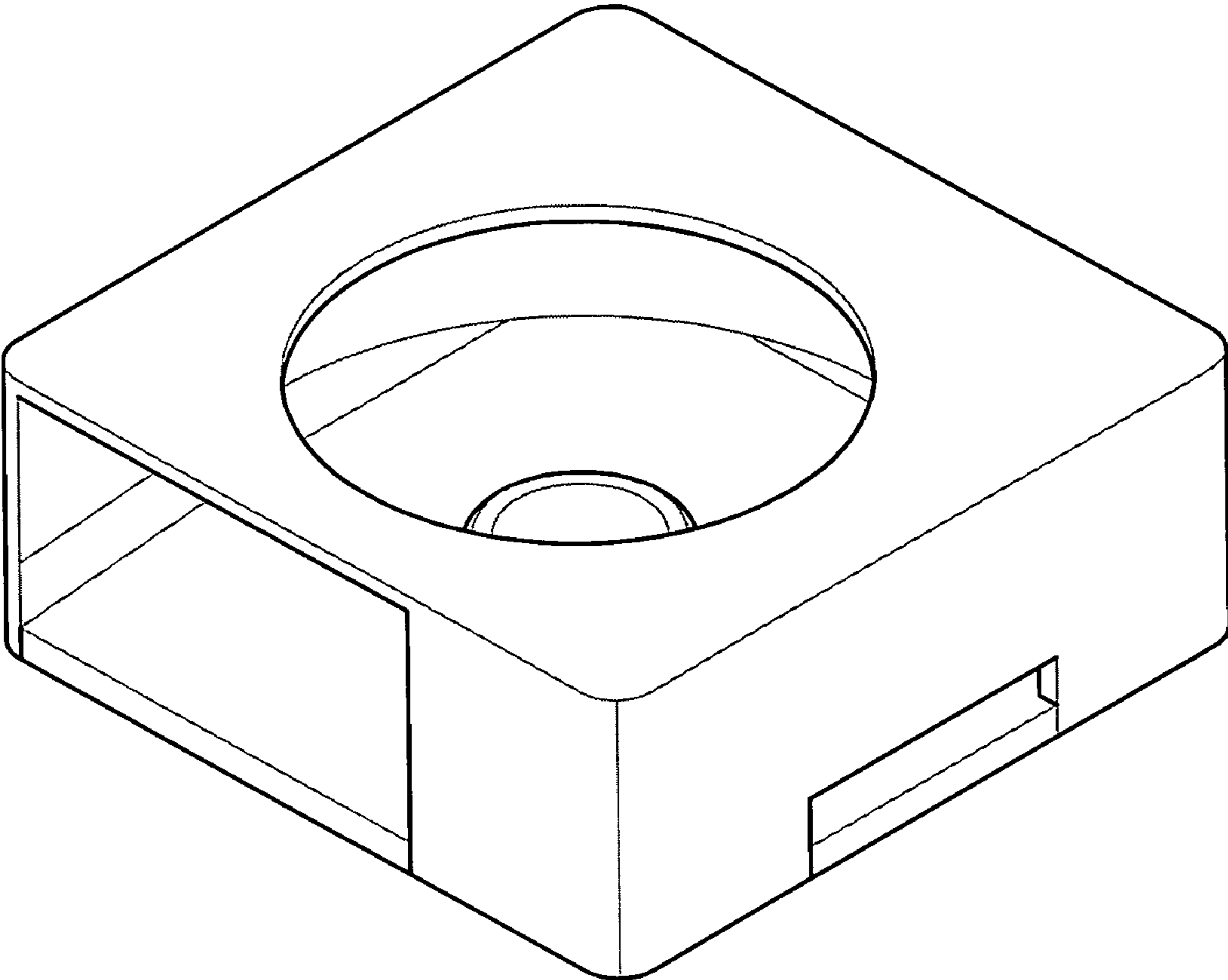


FIG. 1

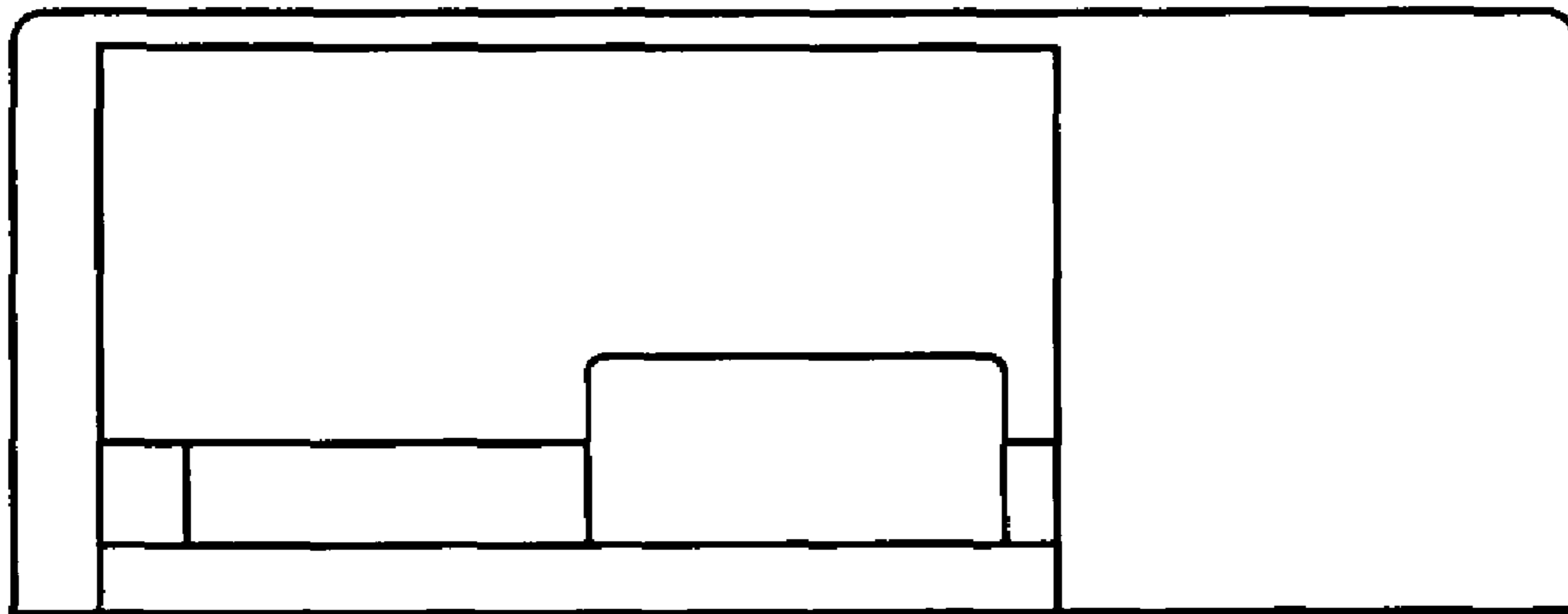


FIG. 2

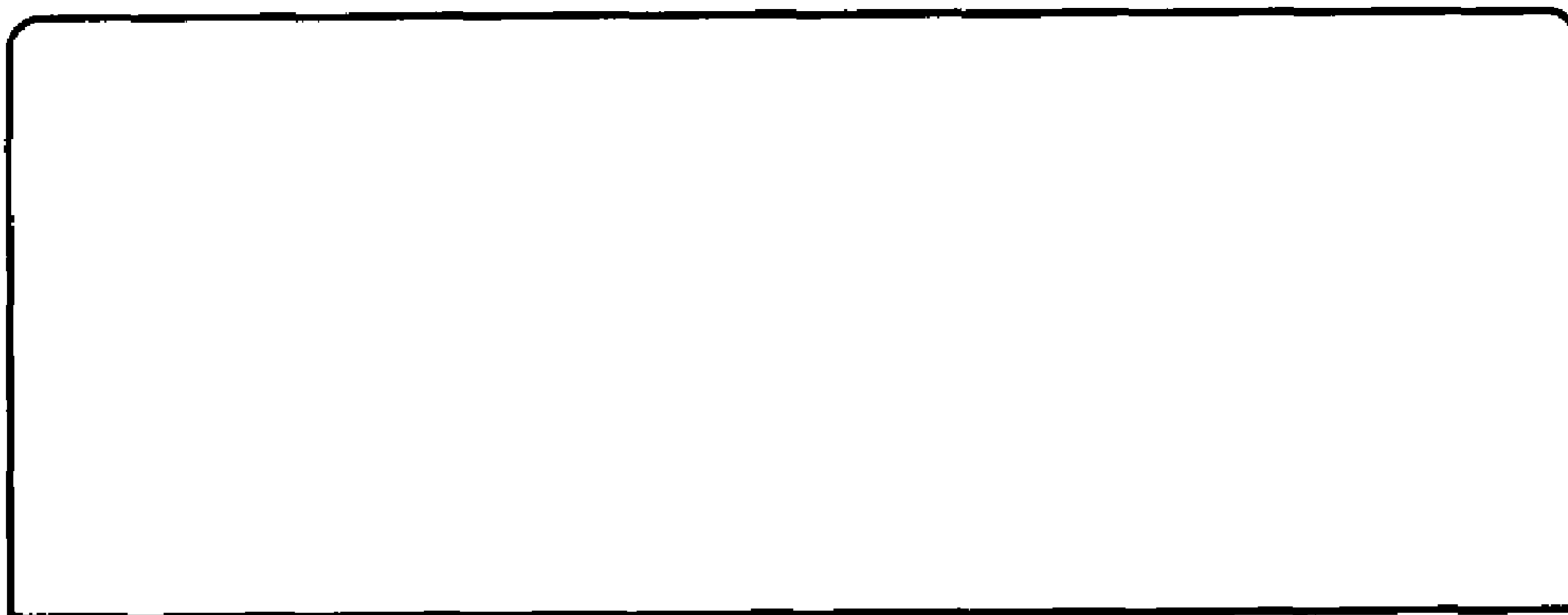


FIG. 3

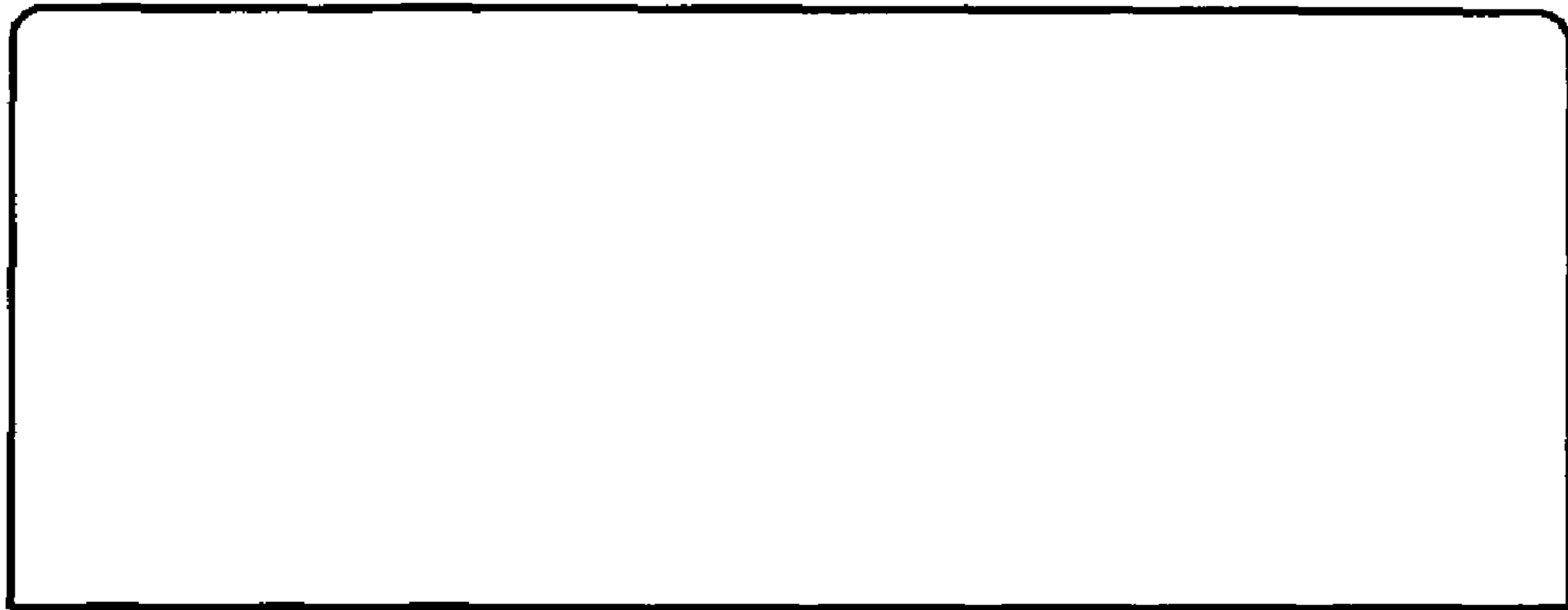


FIG. 4

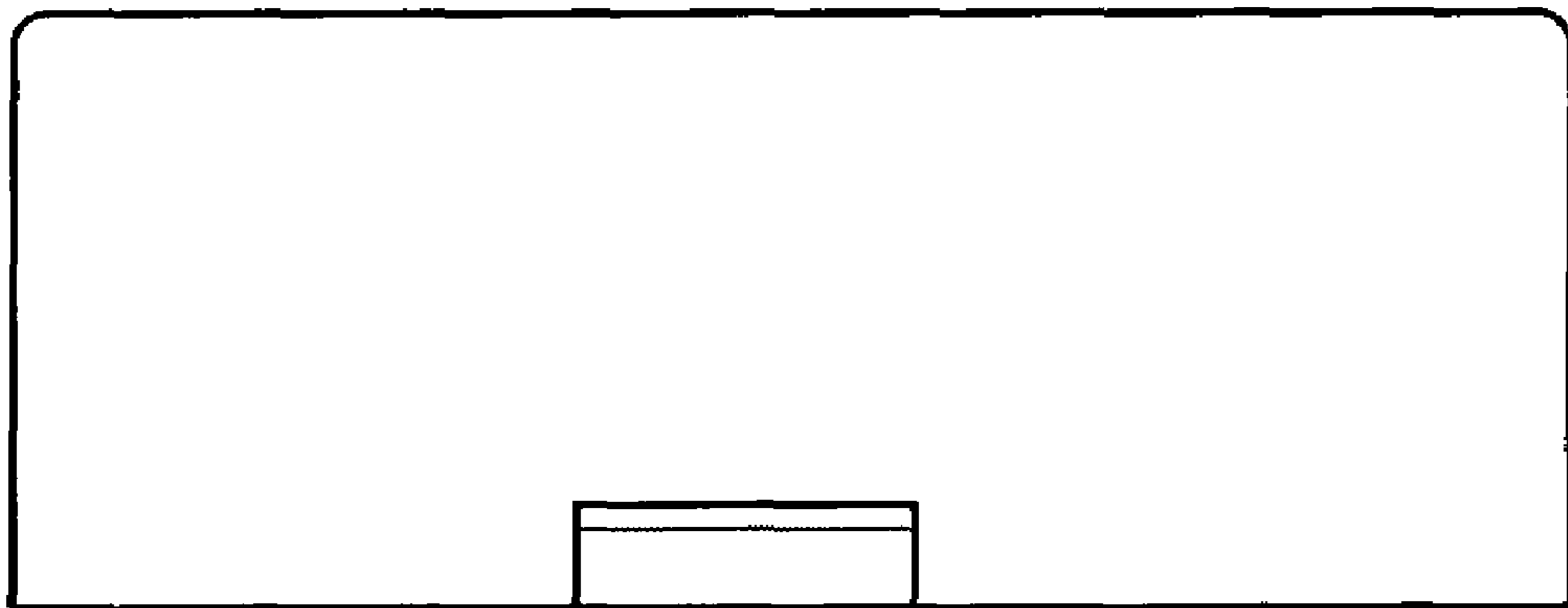


FIG. 5

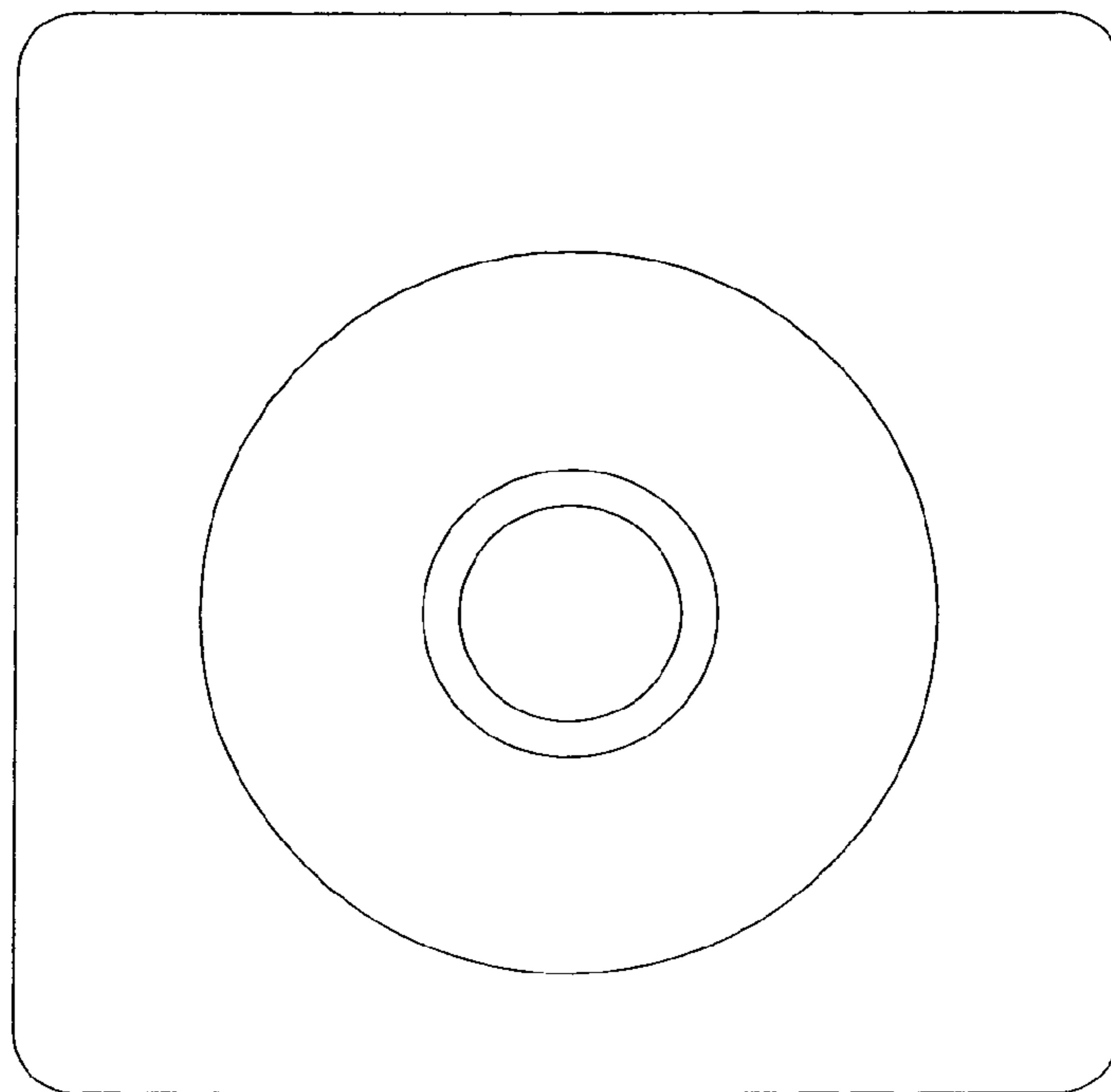


FIG. 6

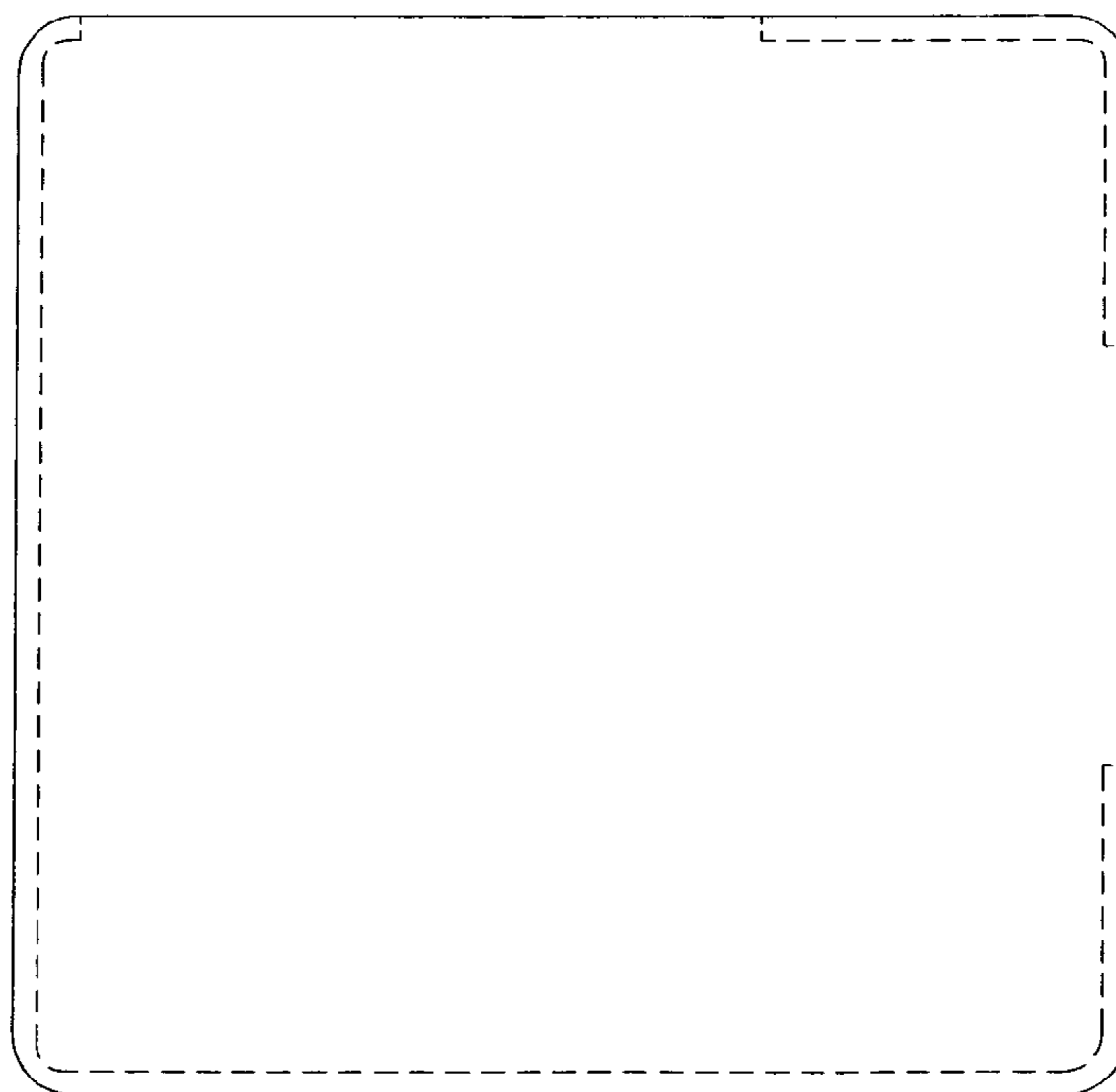


FIG. 7