



US00D589003S

(12) **United States Design Patent**  
**Huang et al.**

(10) **Patent No.:** **US D589,003 S**  
(45) **Date of Patent:** **\*\* Mar. 24, 2009**

(54) **HEAT SINK**

(75) Inventors: **Yu-Hung Huang**, Taoyuan Hsien (TW);  
**Chun-Yang Hung**, Taoyuan Hsien  
(TW); **Sung-Ching Ho**, Taoyuan Hsien  
(TW); **Wen-Tsao Lee**, Taoyuan Hsien  
(TW)

(73) Assignee: **Delta Electronics Inc.**, Taoyuan Hsien  
(TW)

(\*\*) Term: **14 Years**

(21) Appl. No.: **29/300,058**

(22) Filed: **Feb. 15, 2008**

(51) **LOC (9) Cl.** ..... **13-03**

(52) **U.S. Cl.** ..... **D13/179**

(58) **Field of Classification Search** ..... D13/179;  
165/80.3, 104.33, 151, 122, 185; 257/706,  
257/707, 718-722; 361/687, 695, 697, 700,  
361/702, 704, 709, 710, 711, 719

See application file for complete search history.

(56) **References Cited**

**U.S. PATENT DOCUMENTS**

D376,132 S \* 12/1996 Orton ..... D13/179  
5,986,888 A \* 11/1999 Amaro et al. .... 361/704

6,735,084 B1 \* 5/2004 Choi et al. .... 361/704  
6,894,900 B2 \* 5/2005 Malone ..... 361/700  
6,945,319 B1 \* 9/2005 Li et al. .... 165/104.33  
7,227,752 B2 \* 6/2007 Xia et al. .... 361/700  
2004/0035558 A1 \* 2/2004 Todd et al. .... 165/104.26

\* cited by examiner

*Primary Examiner*—Selina Sikder

(74) *Attorney, Agent, or Firm*—Birch, Stewart, Kolasch &  
Birch, LLP

(57) **CLAIM**

The ornamental design for a heat sink, as shown and  
described herein.

**DESCRIPTION**

FIG. 1 is a perspective view of a heat sink showing our new  
design;

FIG. 2 is a bottom plan view thereof;

FIG. 3 is a top plan view thereof;

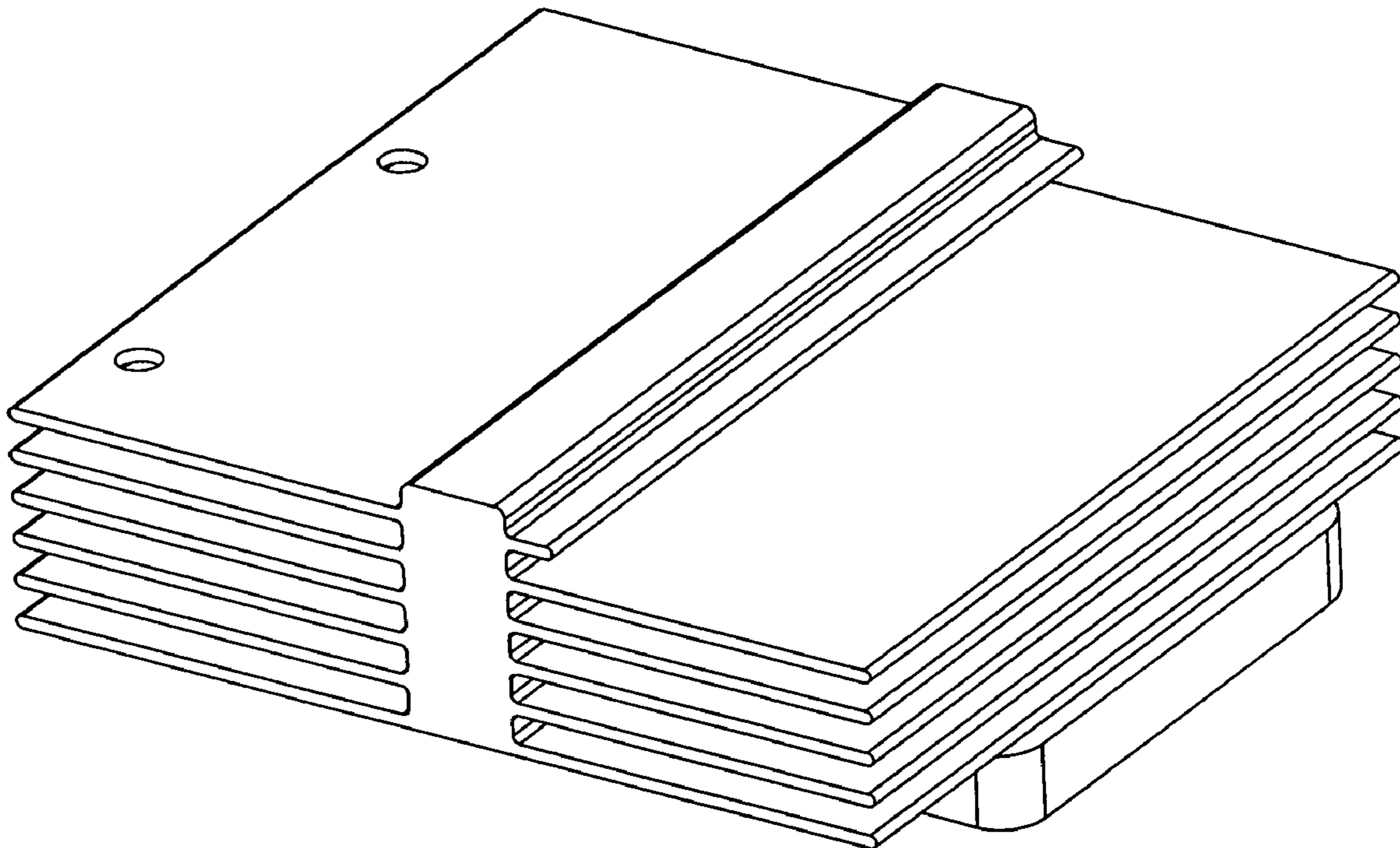
FIG. 4 is a front elevational view thereof;

FIG. 5 is a rear elevational view thereof;

FIG. 6 is a left side elevational view thereof; and,

FIG. 7 is a right side elevational view thereof.

**1 Claim, 5 Drawing Sheets**



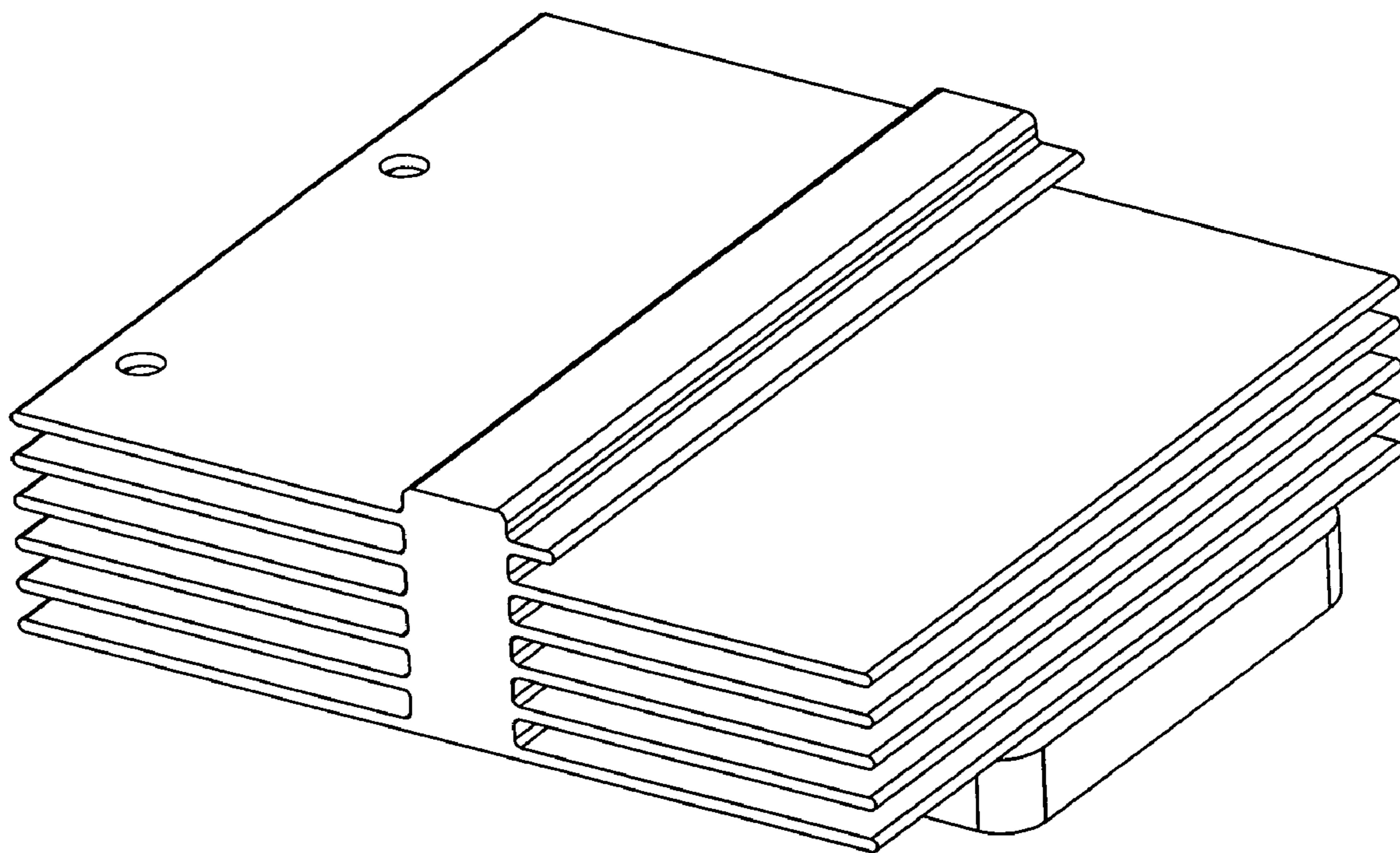


Fig. 1

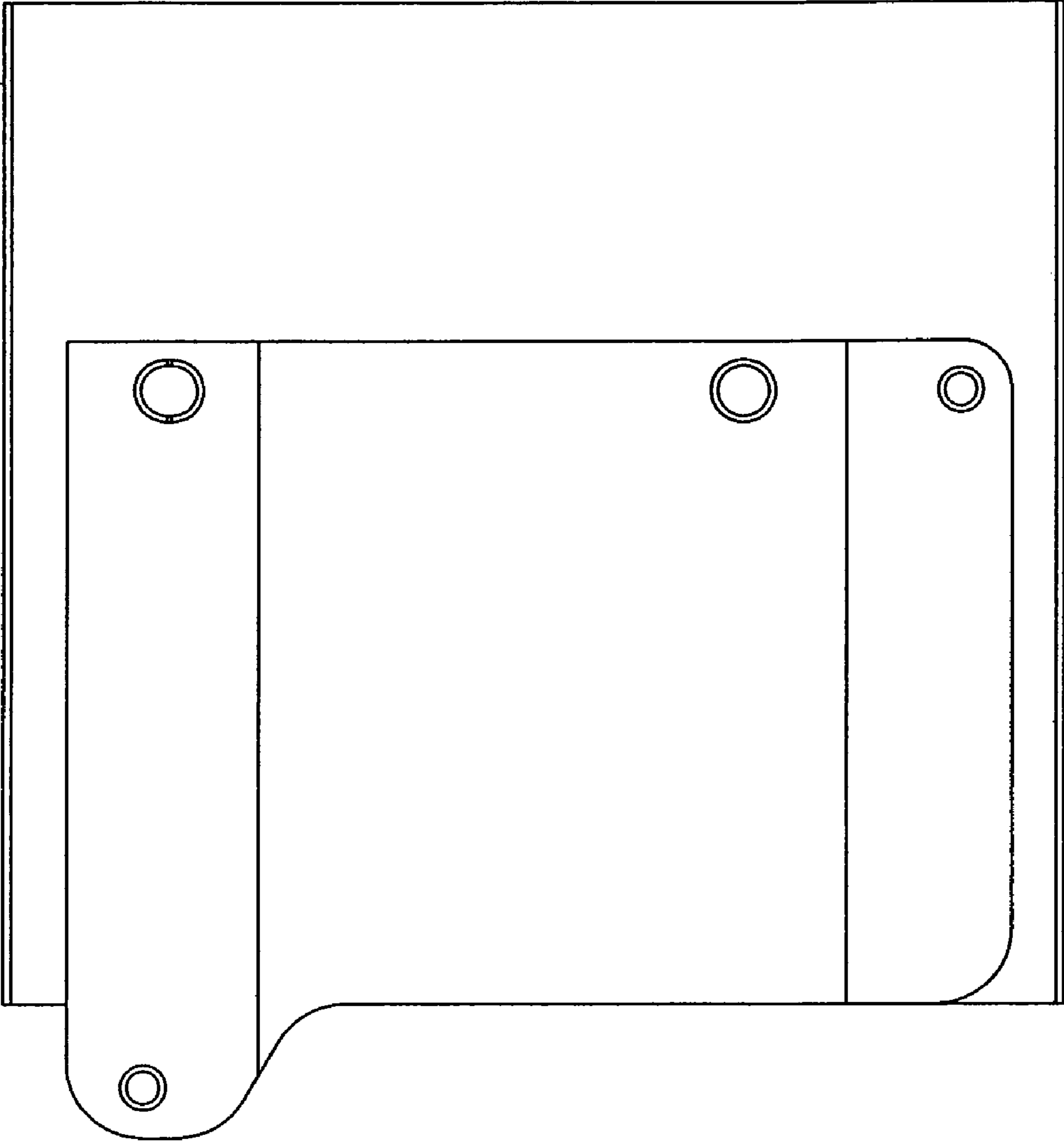


Fig. 2

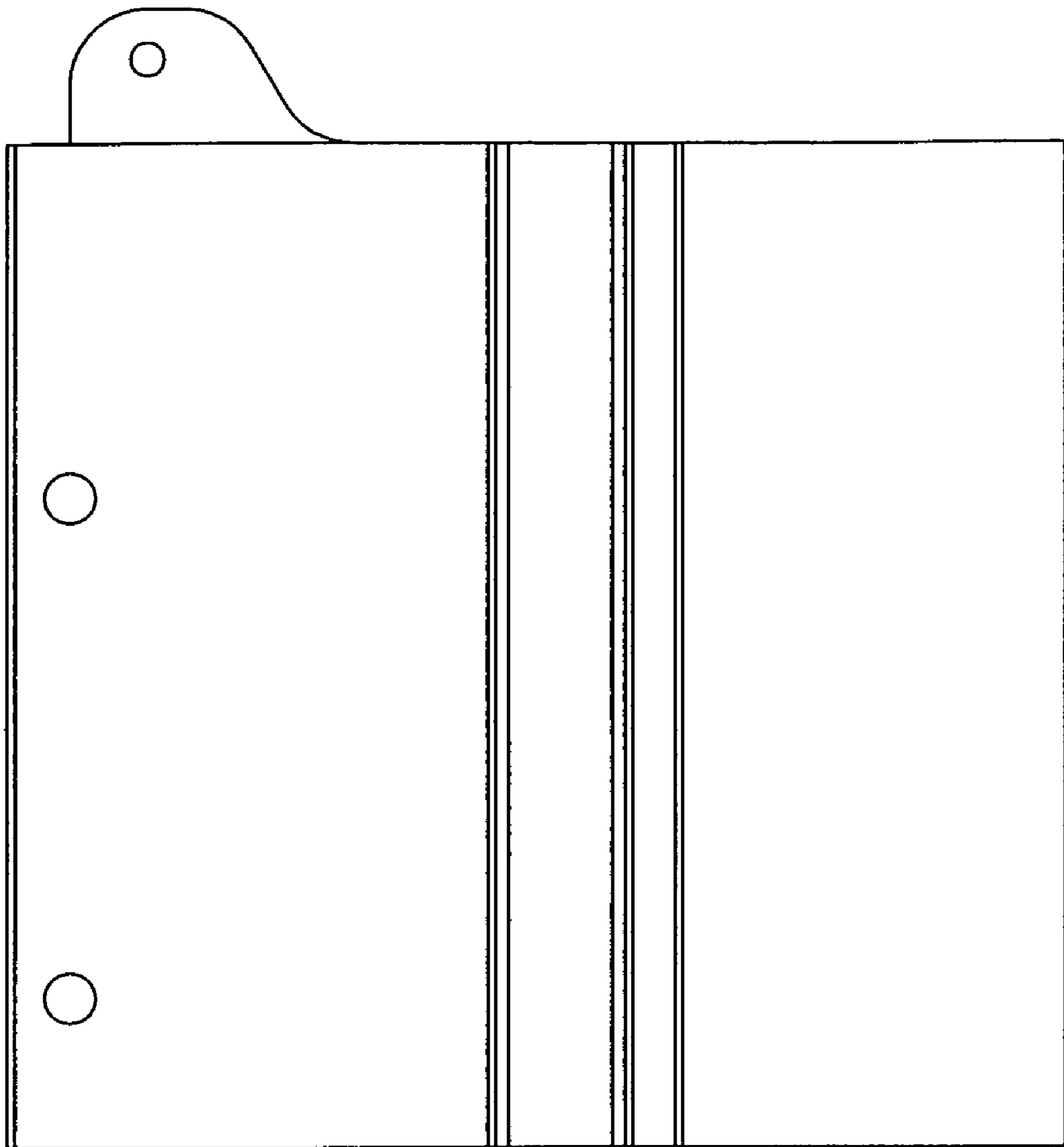


Fig. 3

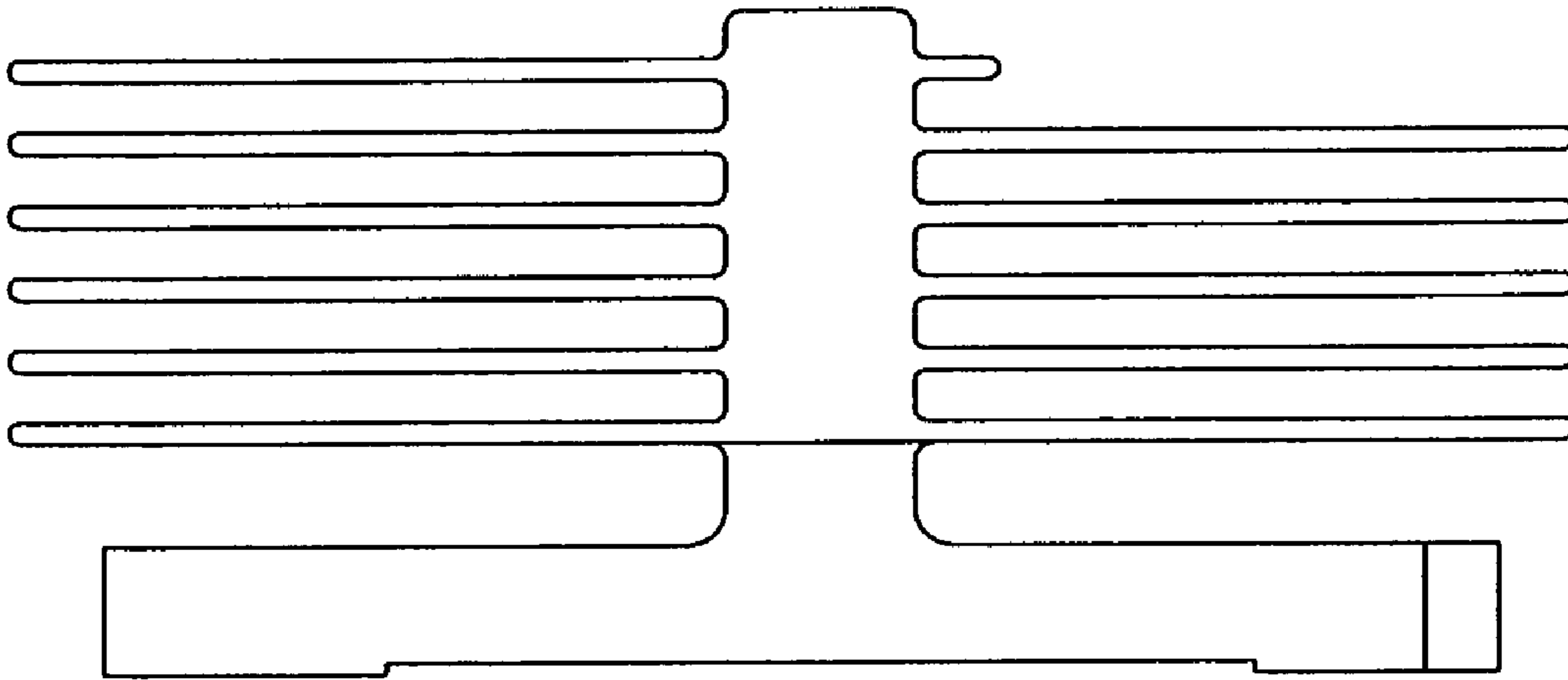


Fig. 4

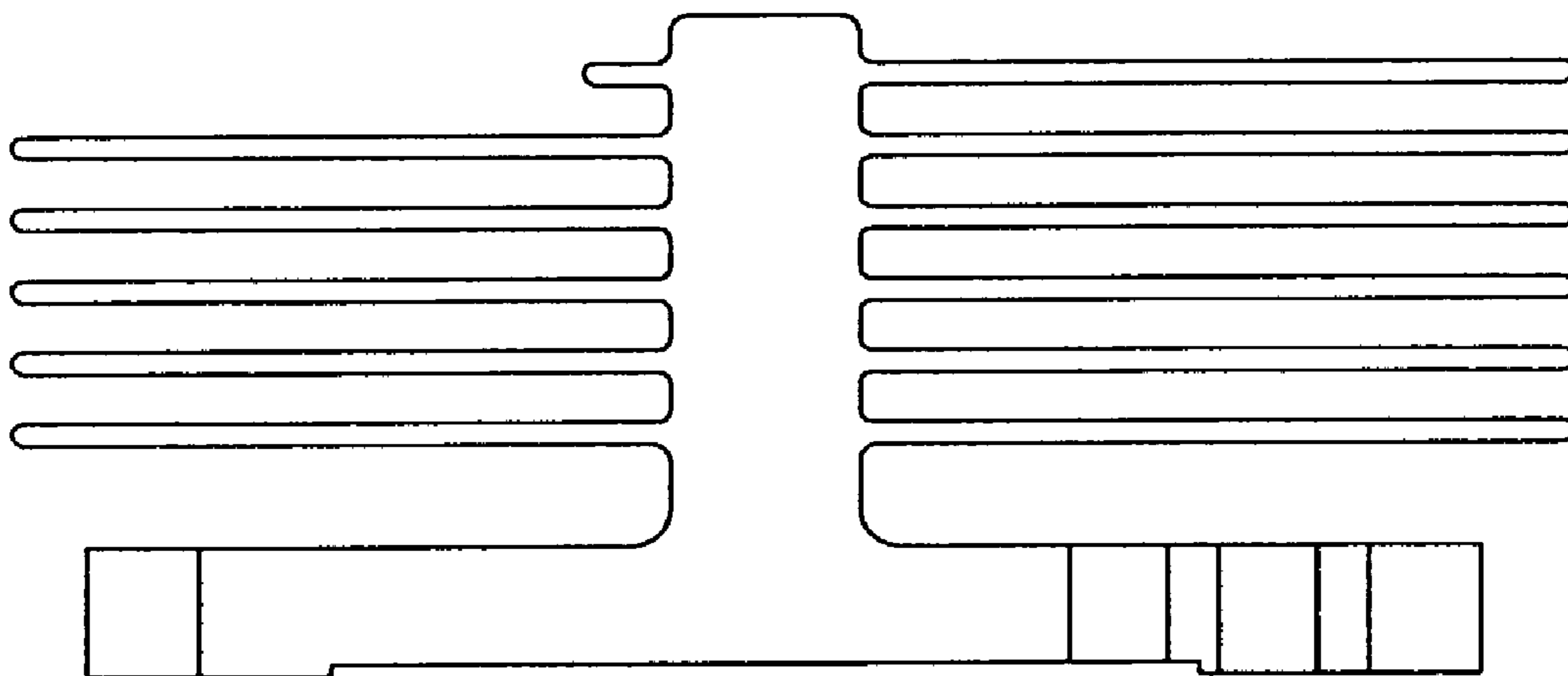


Fig. 5

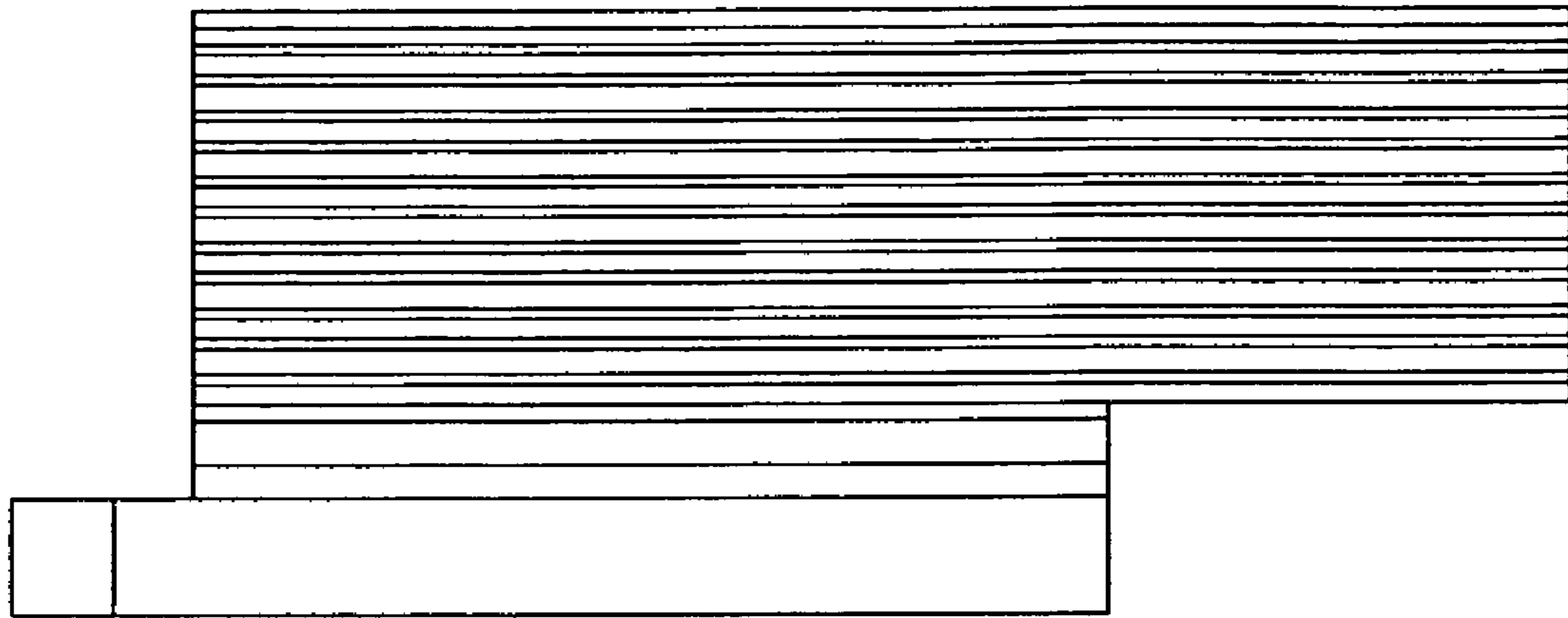


Fig. 6

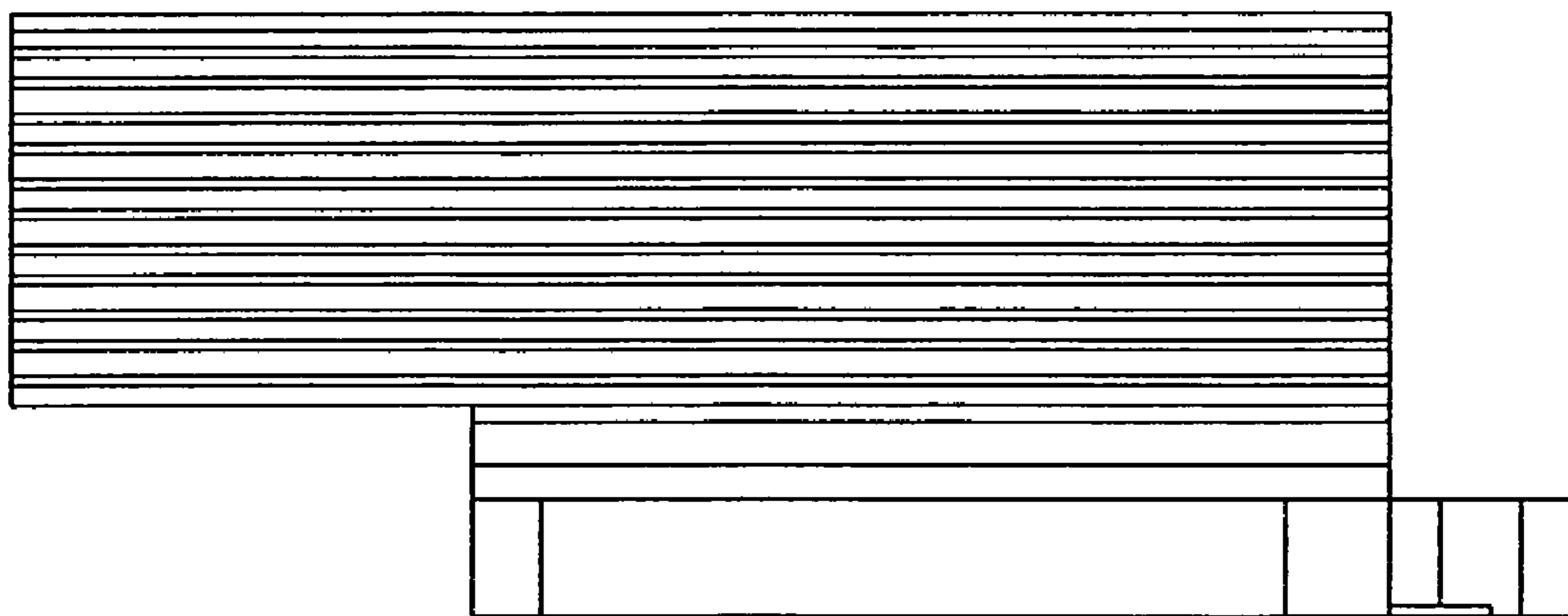


Fig. 7