



US00D589001S

(12) **United States Design Patent**
Goyal et al.

(10) **Patent No.:** **US D589,001 S**
(45) **Date of Patent:** **** Mar. 24, 2009**

(54) **LIGHT SWITCH**

(75) Inventors: **Rahul Natwar Goyal**, Tyrone, GA (US);
Tim Richter, Shanghai (CN); **Zhao Hui Shen**, Shanghai (CN); **Ariel Santamaria**, Mexico City (MX)

(73) Assignee: **Cooper Technologies Company**,
Houston, TX (US)

(**) Term: **14 Years**

(21) Appl. No.: **29/298,760**

(22) Filed: **Dec. 12, 2007**

(51) **LOC (9) Cl.** **13-03**

(52) **U.S. Cl.** **D13/173; D13/177**

(58) **Field of Classification Search** D13/162,
D13/173, 174, 177; 174/66; 200/5 R, 5 A,
200/1 B, 293, 296, 308, 310, 329; 315/291-296;
338/198-200

See application file for complete search history.

(56) **References Cited**

U.S. PATENT DOCUMENTS

D310,820 S	9/1990	Watson et al.	
D331,742 S *	12/1992	Fujiyoshi	D13/169
D336,744 S *	6/1993	Kahn et al.	D13/171
5,248,919 A *	9/1993	Hanna et al.	315/291
D353,798 S	12/1994	Bryde et al.	
5,399,940 A	3/1995	Hanna et al.	
D388,398 S *	12/1997	Jeong	D13/174
D392,256 S *	3/1998	Saint-Cyr et al.	D13/158
D450,043 S	11/2001	Mosebrook	
D471,880 S	3/2003	Mayo et al.	
D472,527 S	4/2003	Mayo et al.	

6,545,434 B2	4/2003	Sembhi et al.	
D503,929 S	4/2005	Akinrele et al.	
D504,668 S	5/2005	Fort et al.	
D516,040 S *	2/2006	Moye	D13/162
7,190,125 B2 *	3/2007	McDonough et al.	315/291
7,285,723 B2 *	10/2007	Lindenstrauss et al.	174/66

OTHER PUBLICATIONS

Lutron, Product brochure for “Maestro the High-Tech Multi-Location Dimmer”, at least as early as Nov. 10, 2003, pp. 56-59.

Lutron, Product brochure for “Faedra Smart Dimmer—For Standard Wallplate”, Lutron Electronics Co., Inc, 2002.

* cited by examiner

Primary Examiner—Selina Sikder

(74) *Attorney, Agent, or Firm*—SAIDMAN DesignLaw Group

(57) **CLAIM**

The ornamental design for a light switch, as shown and described.

DESCRIPTION

FIG. 1 is a perspective view of a light switch showing our new design;

FIG. 2 is a front view thereof;

FIG. 3 is a right-side view thereof;

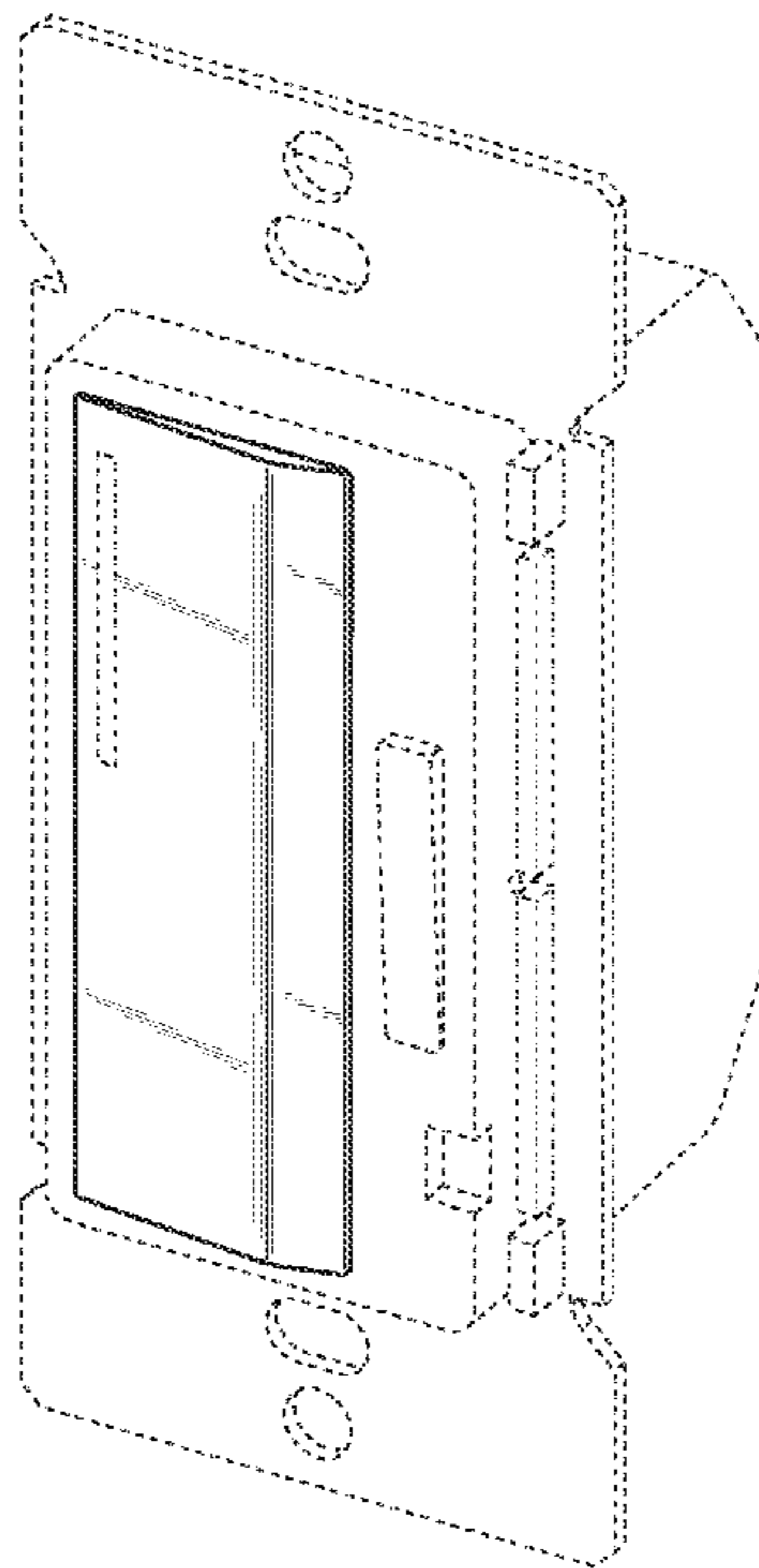
FIG. 4 is a left-side thereof;

FIG. 5 is a top view thereof; and,

FIG. 6 is a bottom view thereof.

The broken lines are environmental and form no part of the claimed design.

1 Claim, 2 Drawing Sheets



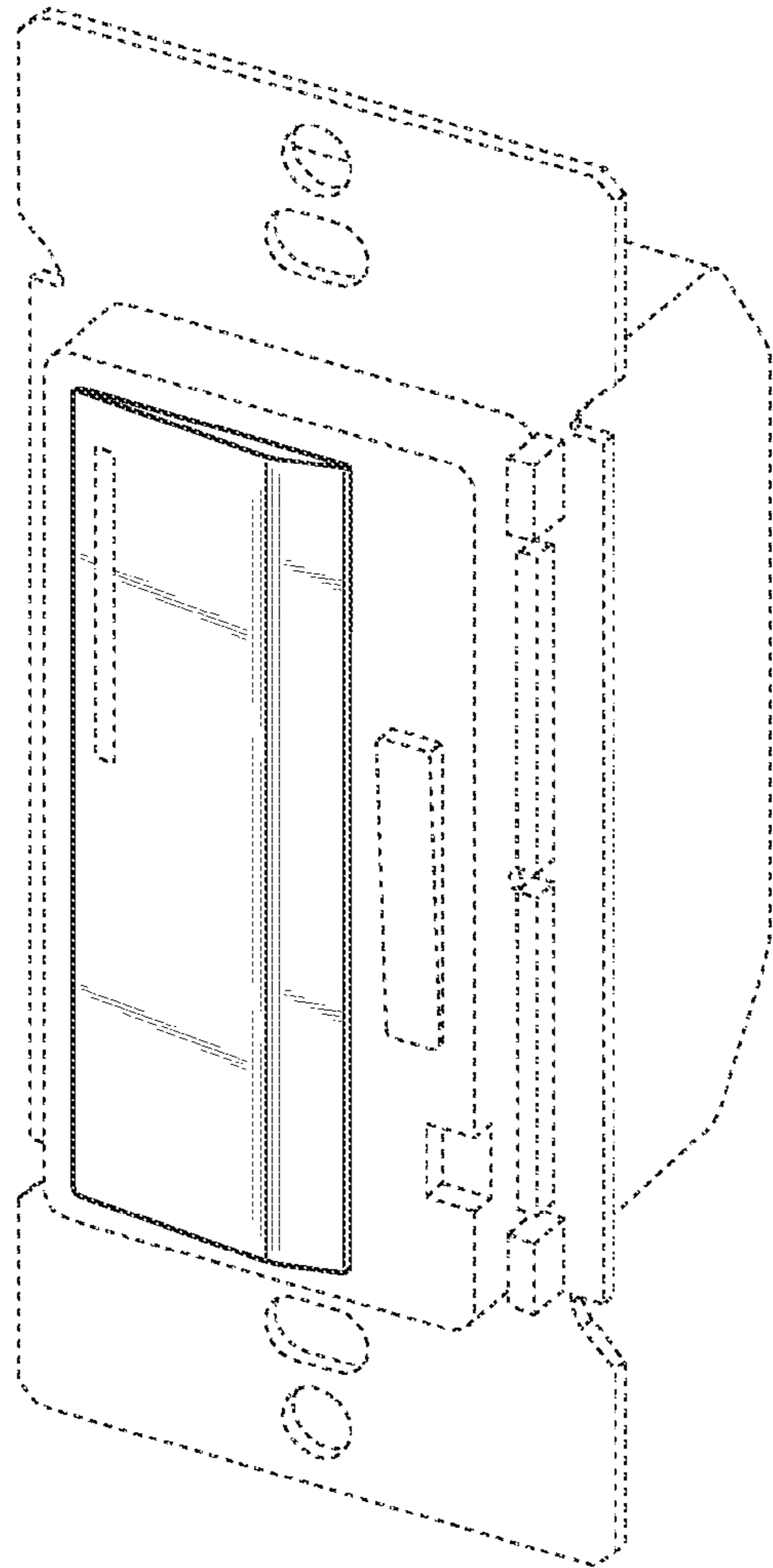


Fig. 1

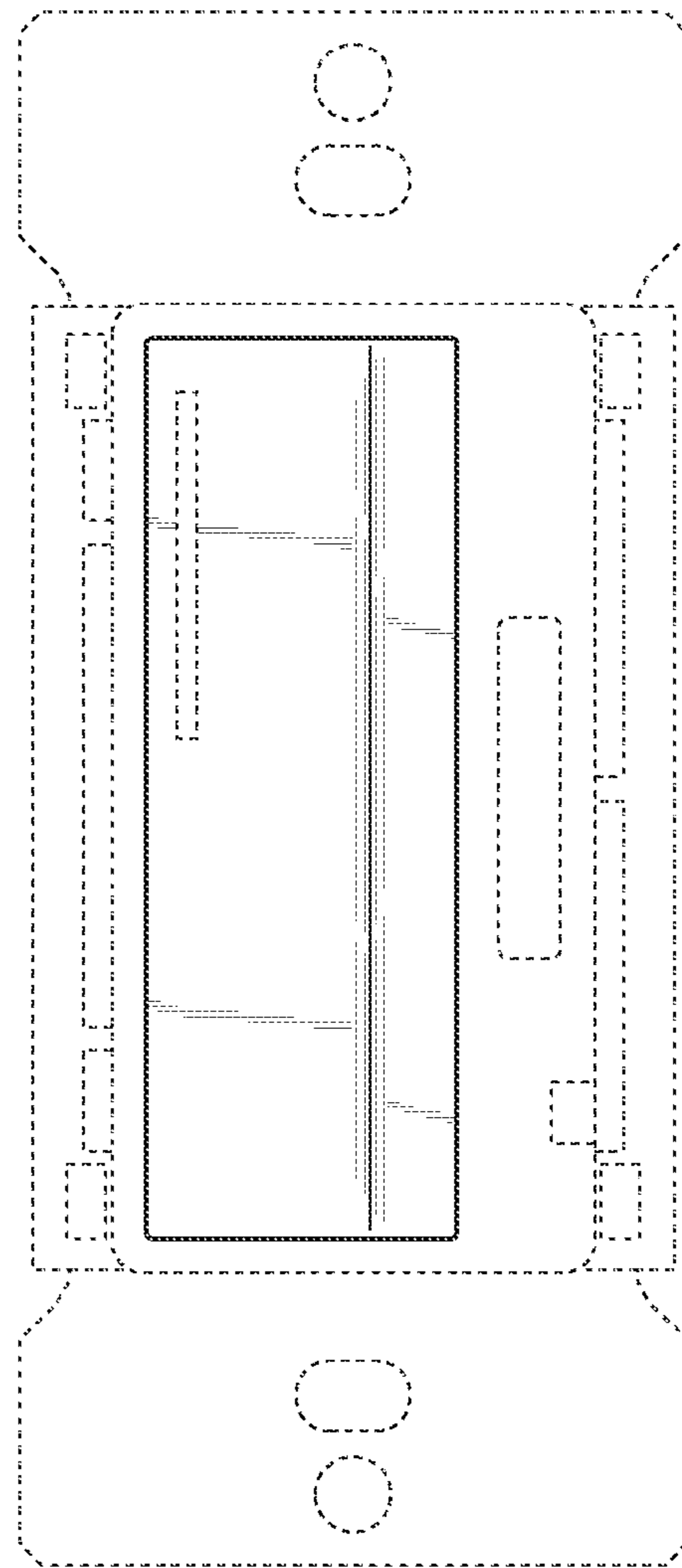


Fig. 2

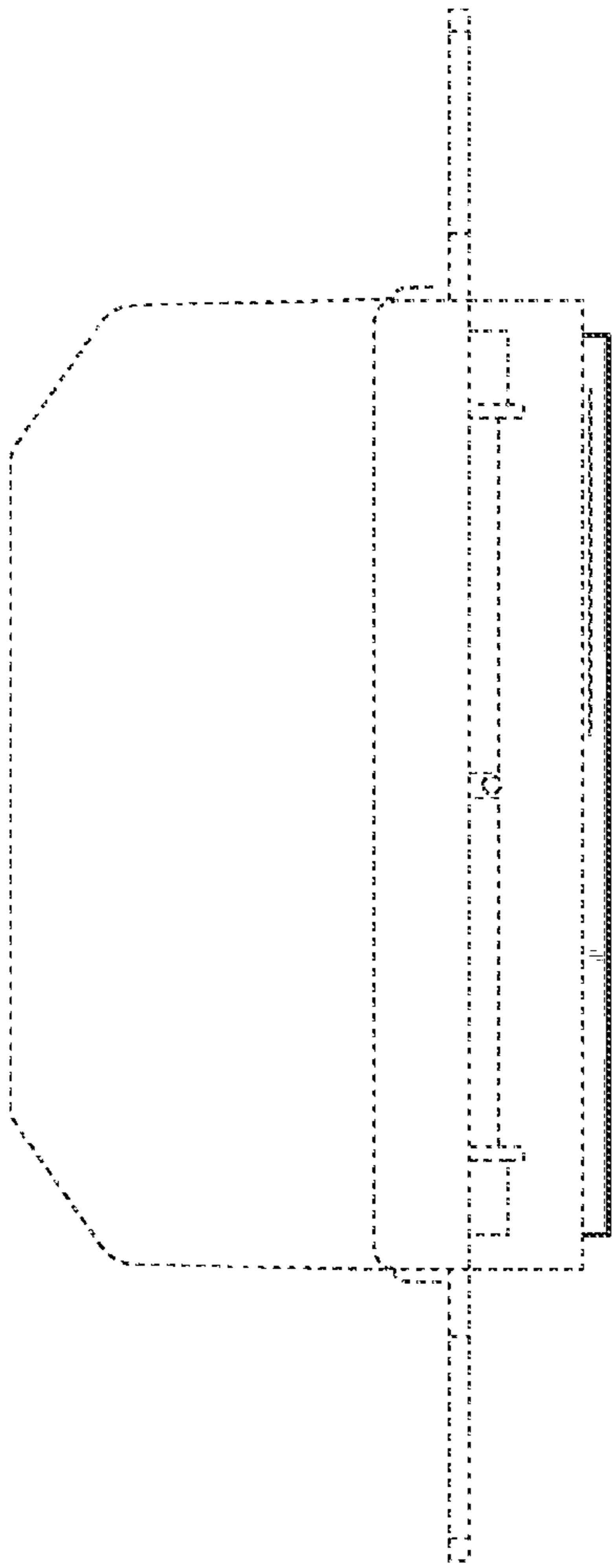


Fig. 3

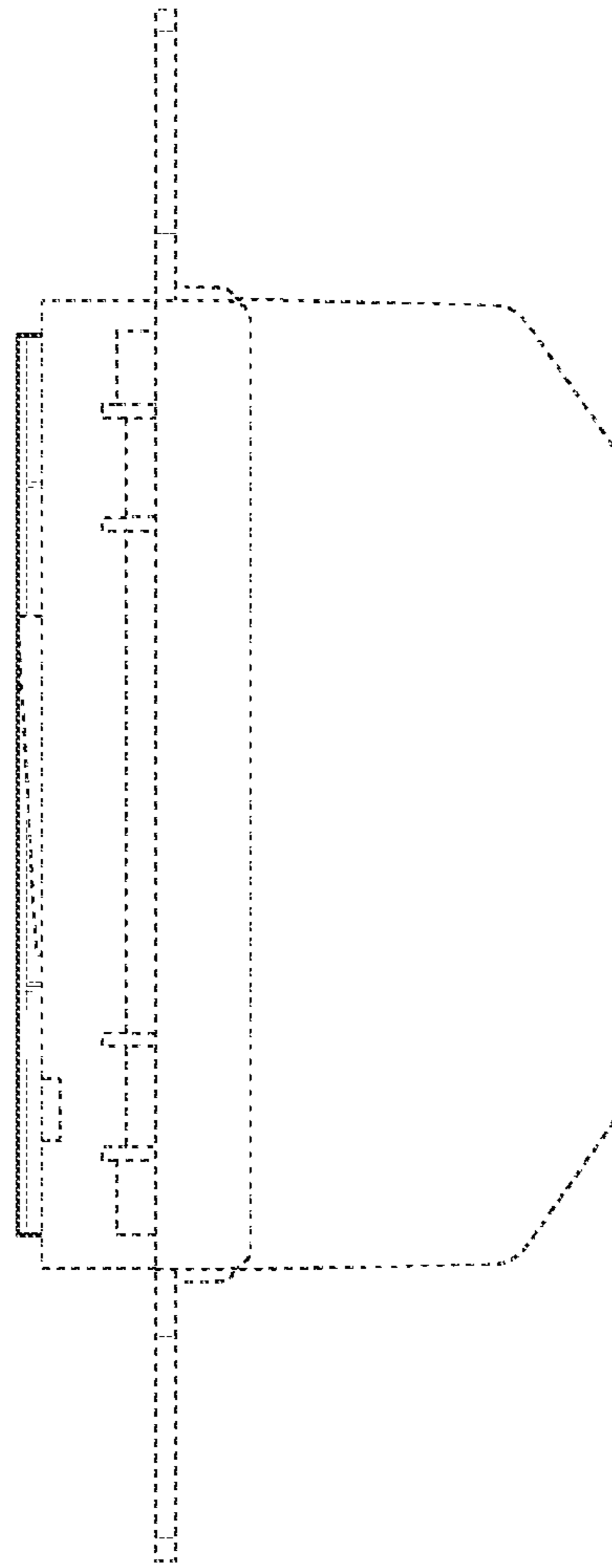


Fig. 4

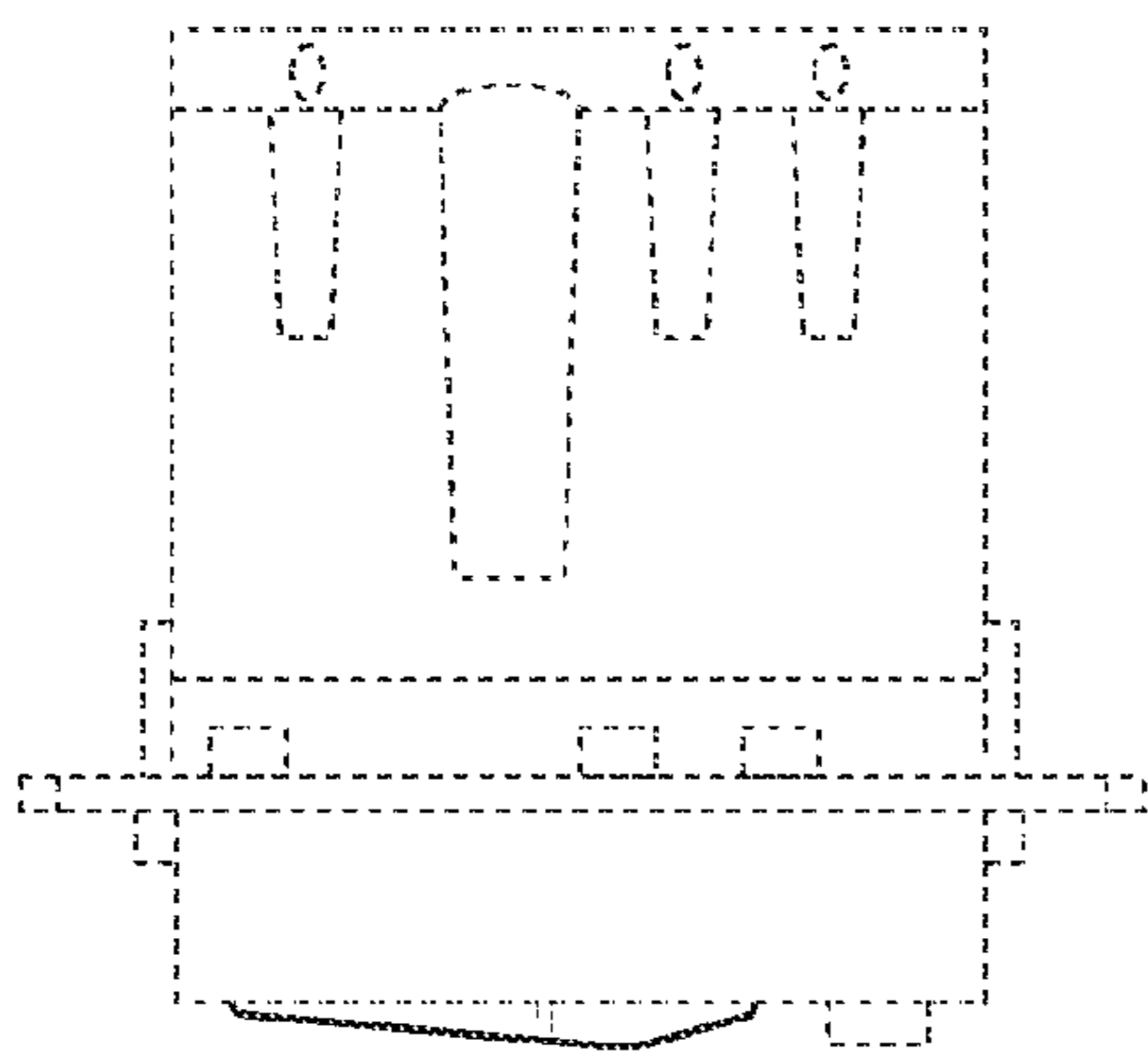


Fig. 5

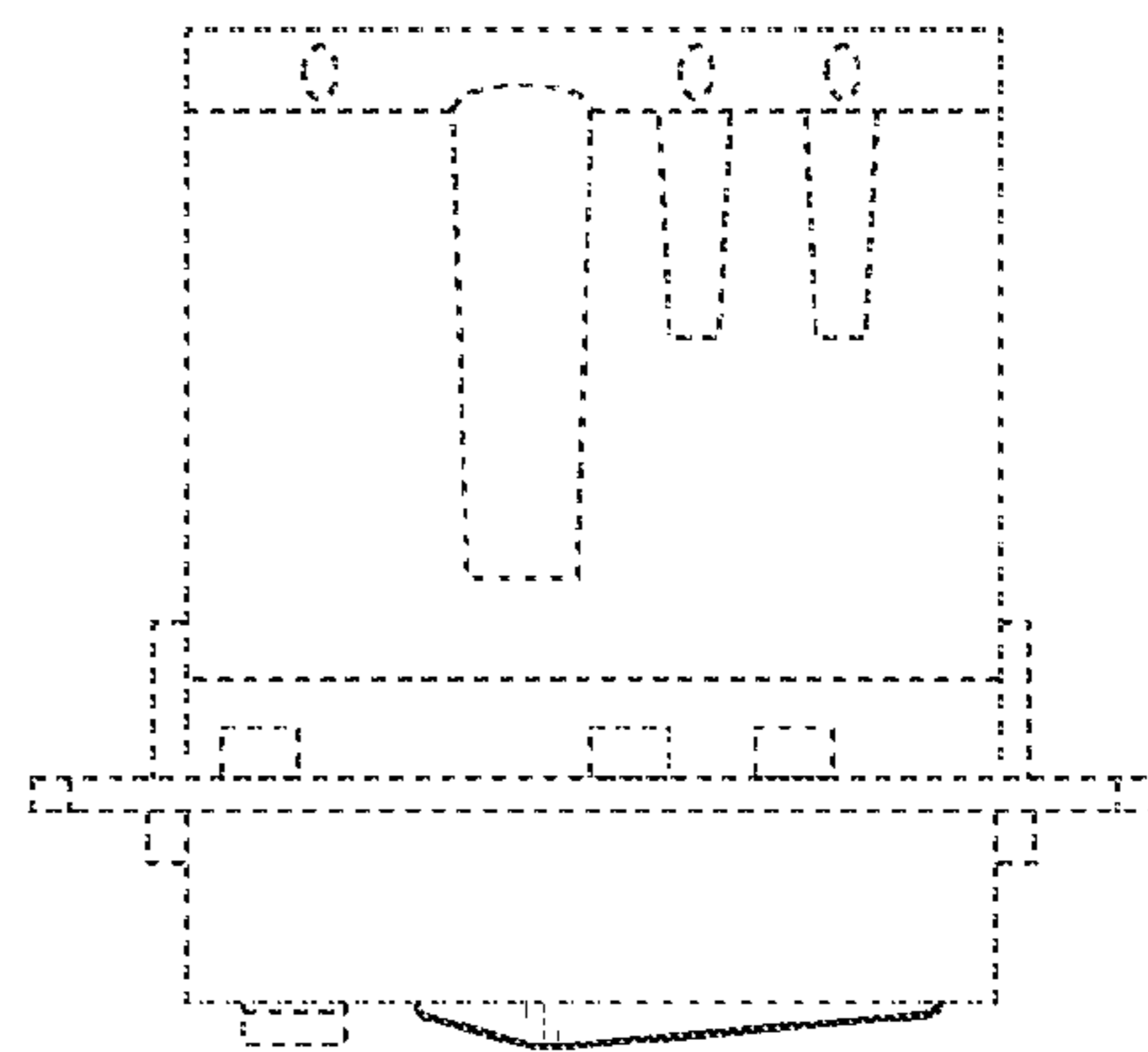


Fig. 6