



US00D588999S

(12) **United States Design Patent**
Ho et al.

(10) **Patent No.:** **US D588,999 S**
(45) **Date of Patent:** **** Mar. 24, 2009**

(54) **WIRE BINDER**

D558,673 S * 1/2008 Easley D13/133

(75) Inventors: **Hsin Tsung Ho**, Tu-Cheng (TW); **Pei Chiao Hung**, Tu-Cheng (TW)

* cited by examiner

(73) Assignee: **Cheng Uei Precision Industry Co., Ltd.**, Taipei Hsien (TW)

Primary Examiner—Daniel D Bui
Assistant Examiner—Thomas J Johannes
(74) *Attorney, Agent, or Firm*—Rosenberg, Klein & Lee

(**) Term: **14 Years**

(57) **CLAIM**

(21) Appl. No.: **29/309,042**

The ornamental design for a wire binder, as shown and described.

(22) Filed: **Jun. 13, 2008**

DESCRIPTION

(51) **LOC (9) Cl.** **13-03**

(52) **U.S. Cl.** **D13/154; D13/133**

(58) **Field of Classification Search** D13/133,
D13/146, 147, 154, 184, 199; 439/607–610,
439/849, 850, 870, 877, 884, 885, 887–891
See application file for complete search history.

FIG. 1 is a perspective view of a wire binder showing our new design;

FIG. 2 is a front elevational view thereof;

FIG. 3 is a rear elevational view thereof;

FIG. 4 is a left side elevational view thereof;

FIG. 5 is a right side elevational view thereof;

FIG. 6 is a top plan view thereof;

FIG. 7 is a bottom plan view thereof; and,

FIG. 8 is a perspective view of the wire binder showing a typical usage application.

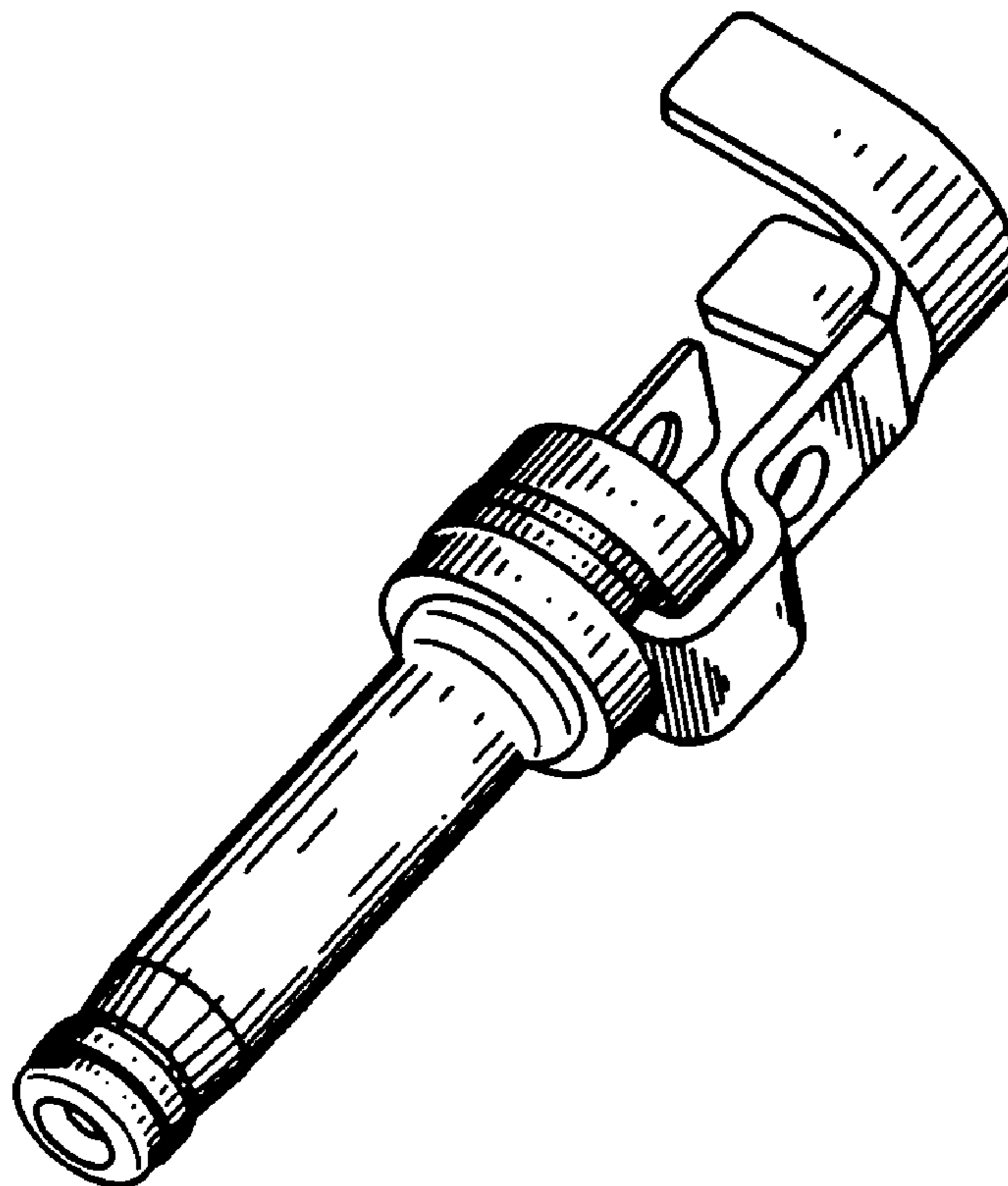
The broken line showing of unclaimed detail and environment in the figures forms no part of the claimed design.

(56) **References Cited**

U.S. PATENT DOCUMENTS

4,880,400	A *	11/1989	Baubles	439/722
5,281,760	A *	1/1994	Kikuchi et al.	174/74 R
D405,050	S *	2/1999	Lee	D13/133
6,254,439	B1 *	7/2001	Endo et al.	439/843
D475,022	S *	5/2003	Kihira et al.	D13/154
7,234,977	B2 *	6/2007	Westlund et al.	439/736
D546,285	S *	7/2007	Ledbetter et al.	D13/133
D558,672	S *	1/2008	Easley	D13/133

1 Claim, 7 Drawing Sheets



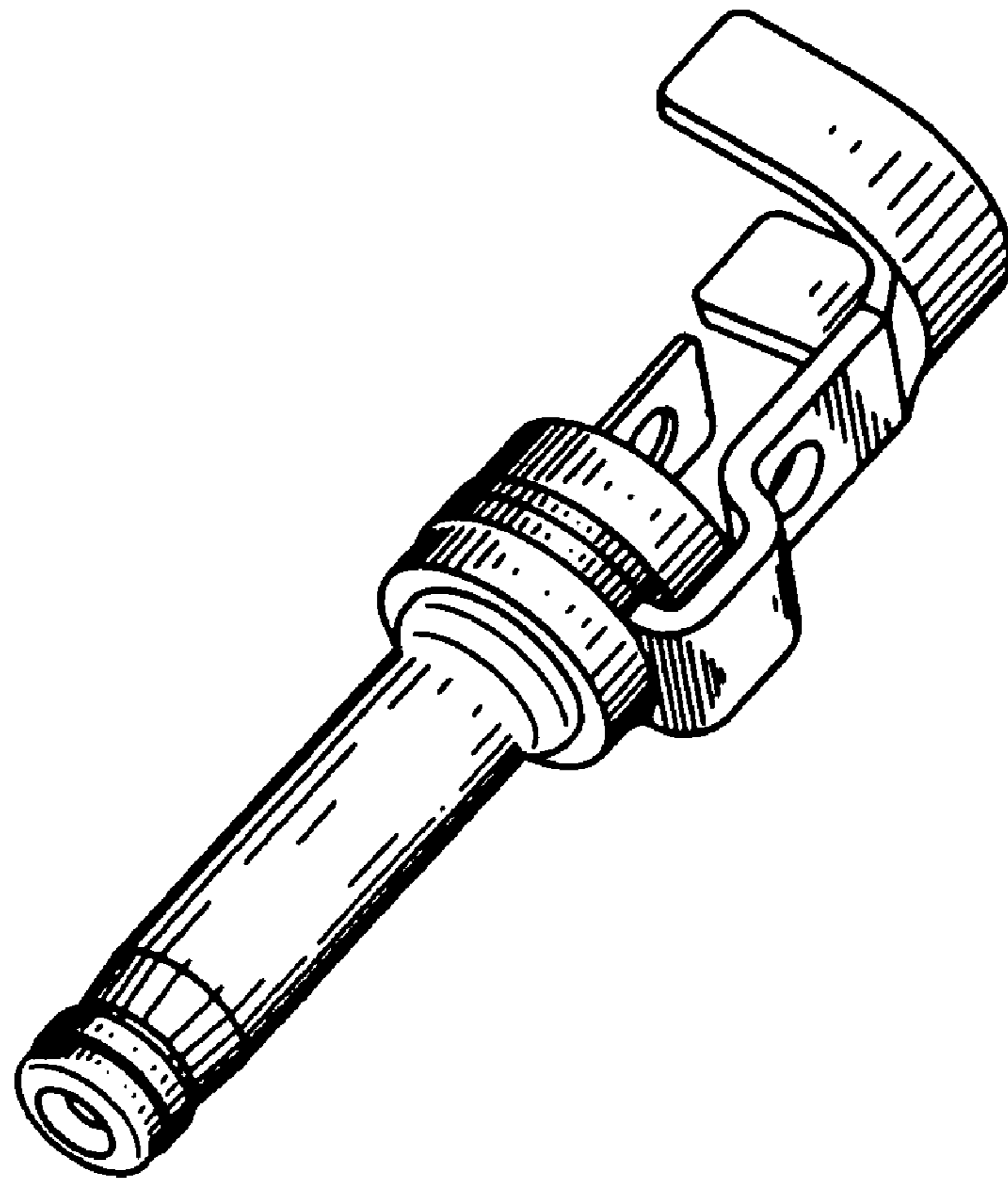


FIG. 1

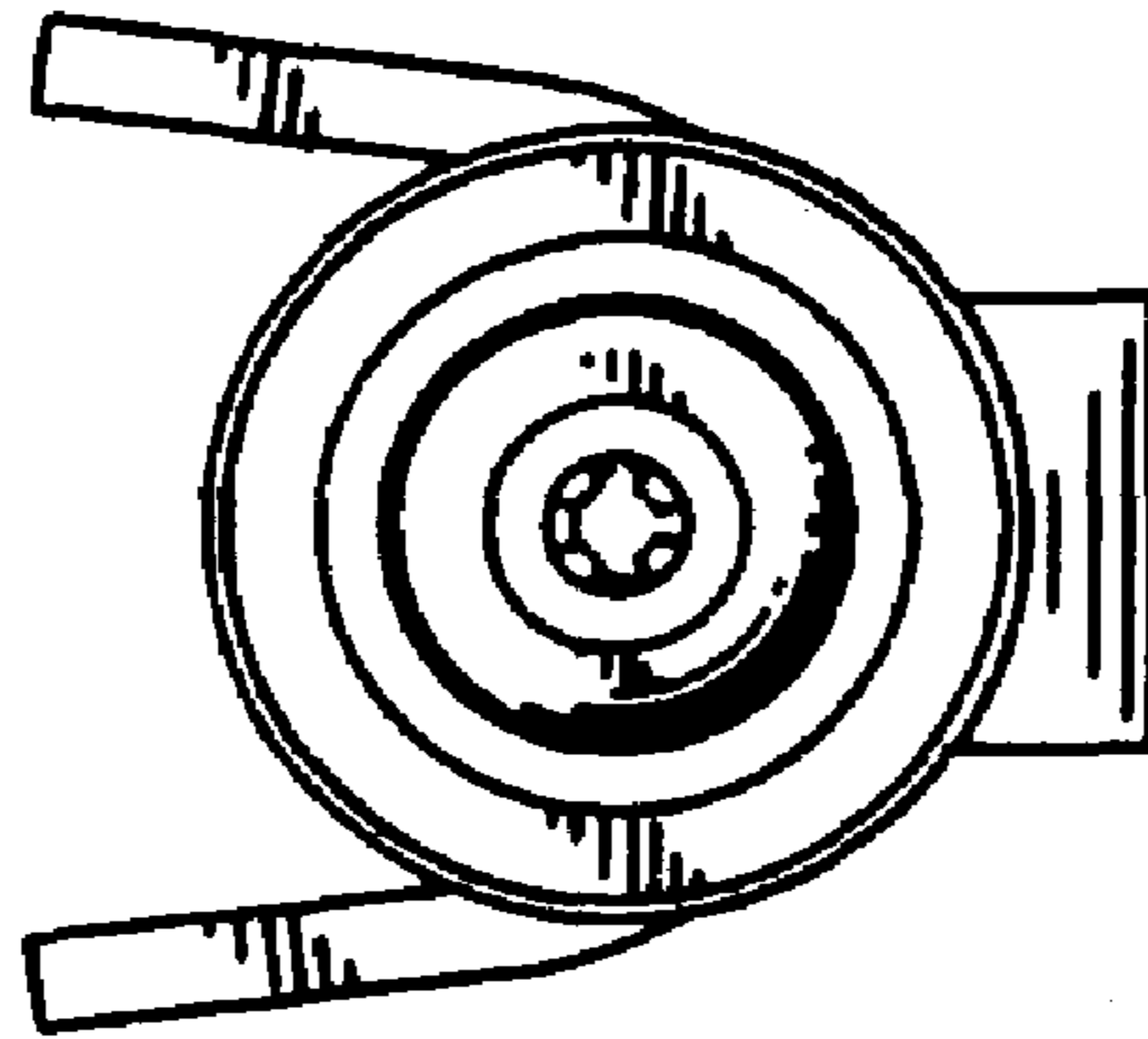


FIG. 2

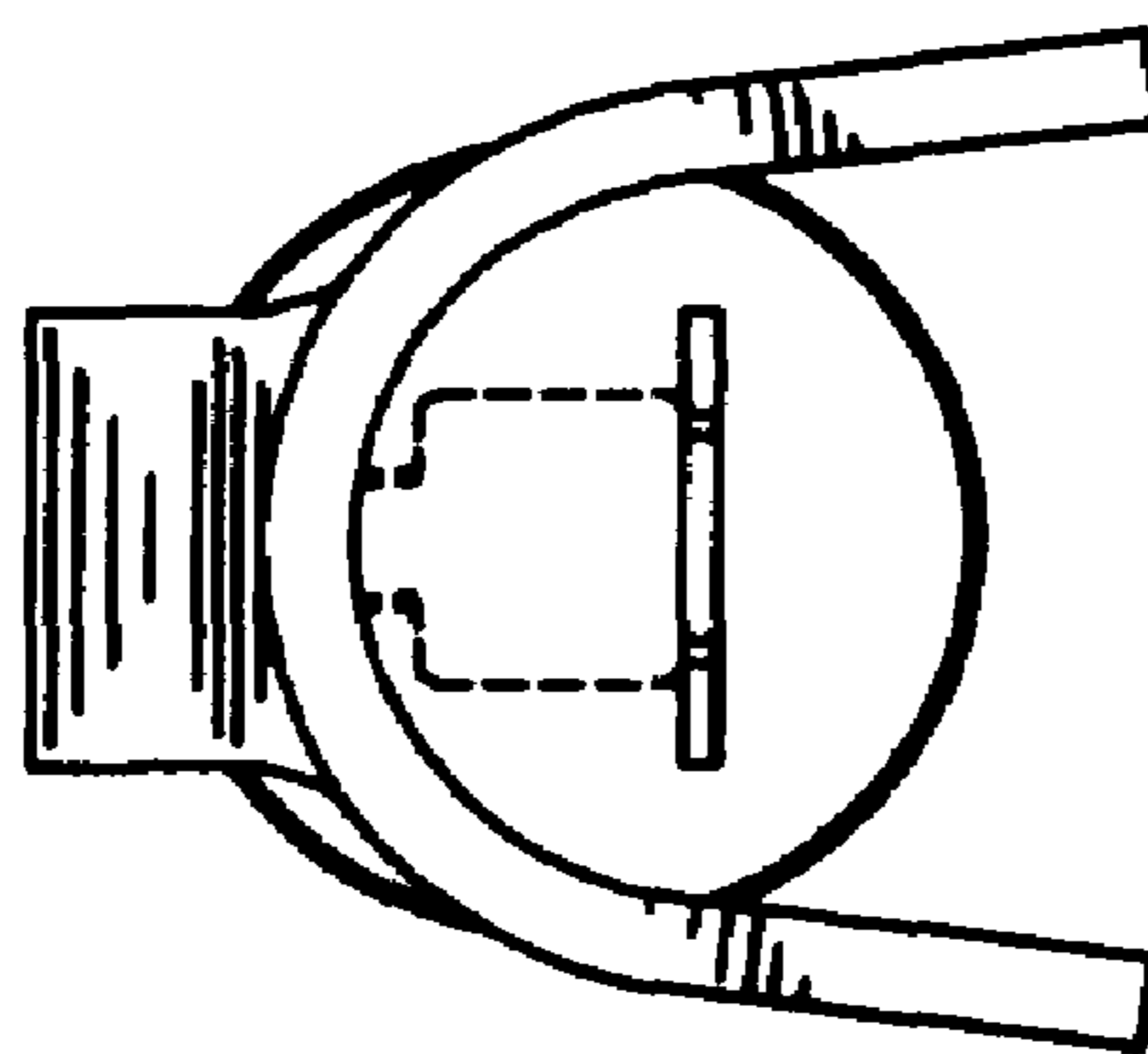


FIG. 3

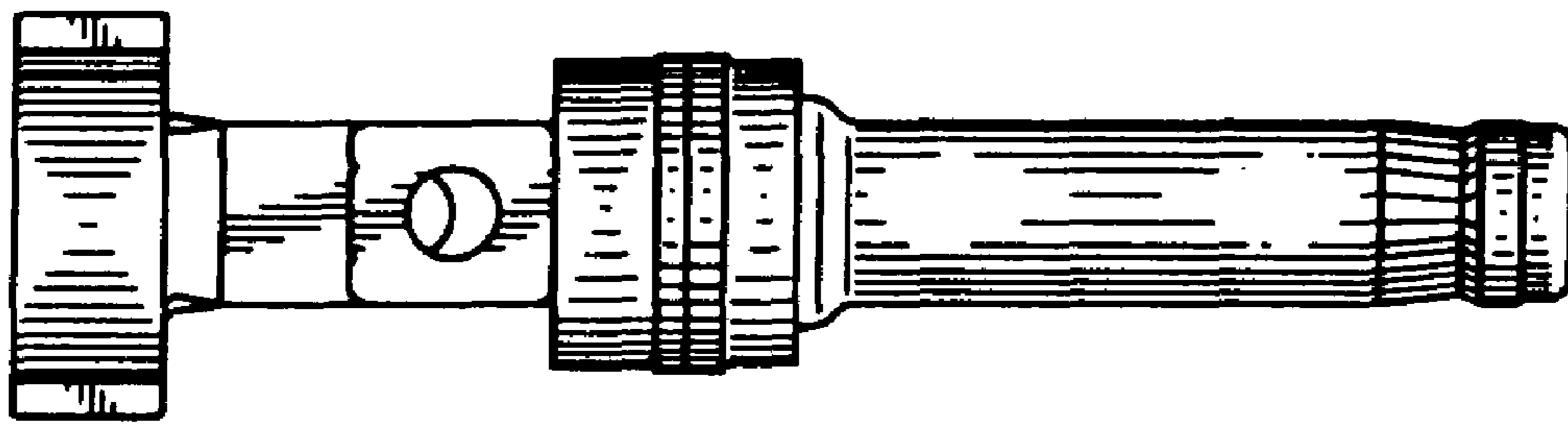


FIG. 4

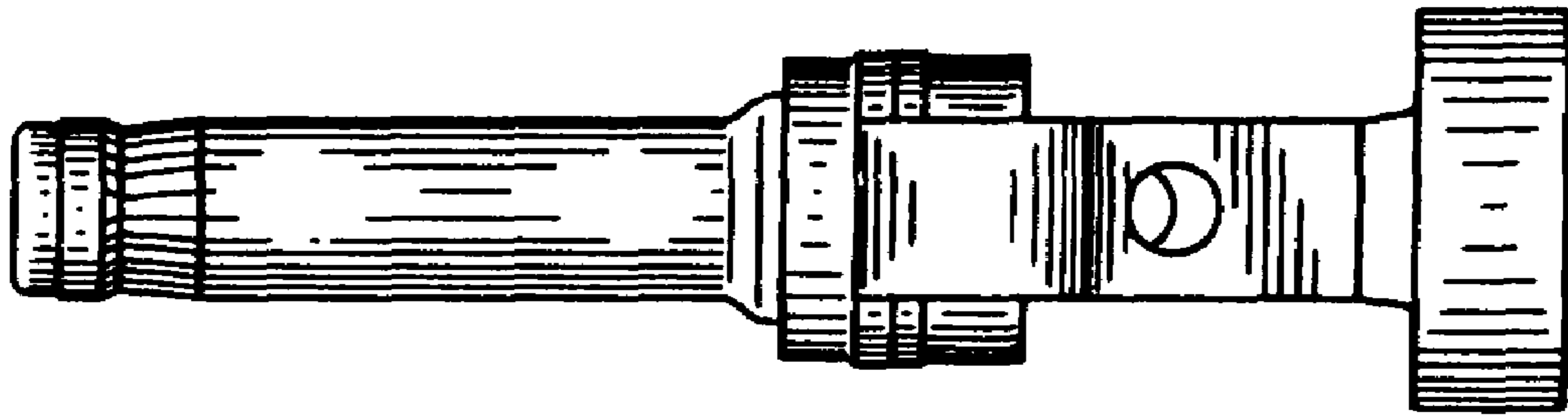


FIG. 5

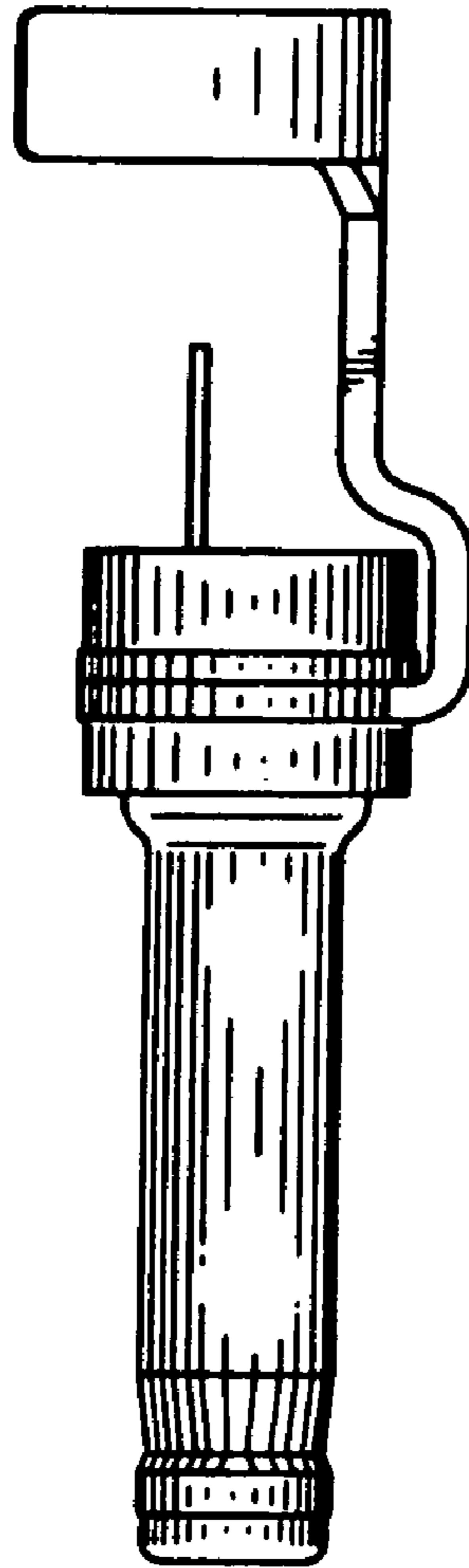


FIG. 6

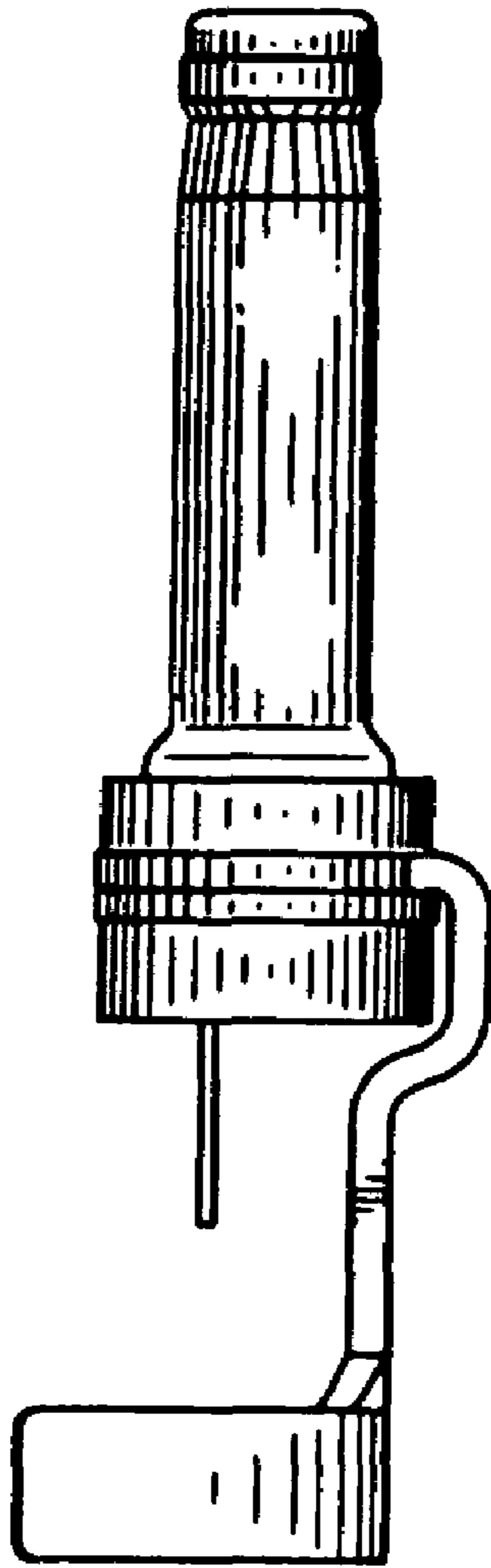


FIG. 7

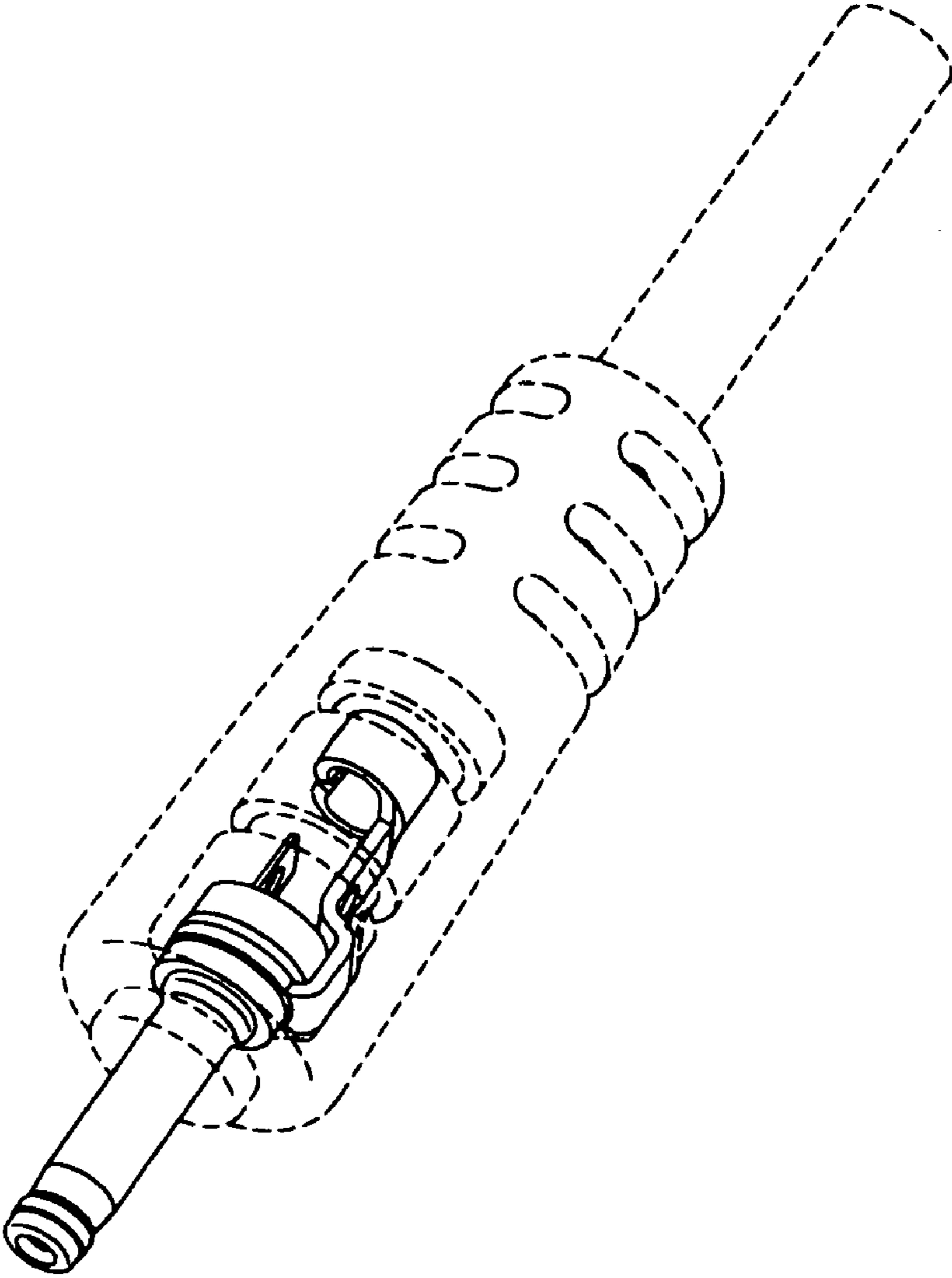


FIG. 8