



US00D588998S

(12) **United States Design Patent**
Keith et al.

(10) **Patent No.:** **US D588,998 S**
(45) **Date of Patent:** **** Mar. 24, 2009**

- (54) **COMMUNICATIONS PLUG**
- (75) Inventors: **Scott Keith**, Plano, TX (US); **Golam Mabud Choudhury**, Warren, NJ (US)
- (73) Assignee: **CommScope Solutions Properties, LLC**, Sparks, NV (US)
- (**) Term: **14 Years**
- (21) Appl. No.: **29/265,235**
- (22) Filed: **Aug. 28, 2006**
- (51) **LOC (9) Cl.** **13-03**
- (52) **U.S. Cl.** **D13/154**
- (58) **Field of Classification Search** D13/133,
D13/146-147, 154, 184; 439/409, 417-418,
439/626, 676

See application file for complete search history.

(56) **References Cited**

U.S. PATENT DOCUMENTS

6,227,886 B1 * 5/2001 Baker et al. 439/142

(Continued)

Primary Examiner—Daniel D Bui

(74) *Attorney, Agent, or Firm*—Myers Bigel Sibley & Sajovec

(57) **CLAIM**

The ornamental design for a communication plug, as shown and described.

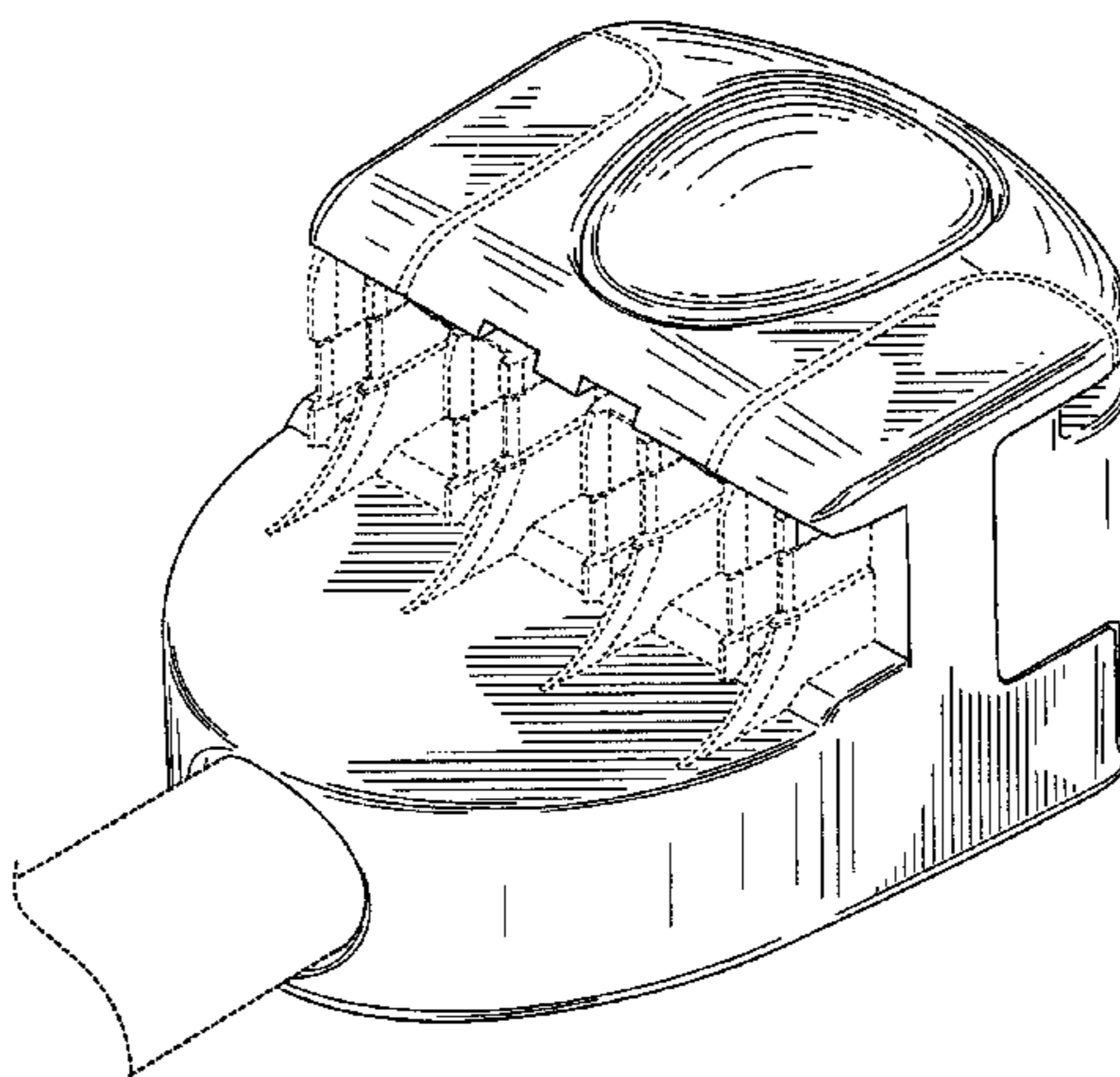
DESCRIPTION

- FIG. 1 is a top perspective view of a communications plug showing our design with a communications cord;
- FIG. 2 is a top perspective view thereof without the cord;
- FIG. 3 is a bottom perspective view thereof;
- FIG. 4 is a top view thereof;
- FIG. 5 is a bottom view thereof;
- FIG. 6 is a front view thereof;
- FIG. 7 is a rear view thereof;
- FIG. 8 is a right side view thereof; and
- FIG. 9 is a left side view thereof.
- FIG. 10 is a top perspective view of another embodiment of a communications plug with a communications cord;

- FIG. 11 is a top perspective view thereof without the cord;
- FIG. 12 is a bottom perspective view thereof;
- FIG. 13 is a top view thereof;
- FIG. 14 is a bottom view thereof;
- FIG. 15 is a front view thereof;
- FIG. 16 is a rear view thereof;
- FIG. 17 is a right side view thereof; and
- FIG. 18 is a left side view thereof.
- FIG. 19 is a top perspective view of the communications plug showing our design with a communications cord;
- FIG. 20 is a top perspective view thereof without the cord;
- FIG. 21 is a bottom perspective view thereof;
- FIG. 22 is a top view thereof;
- FIG. 23 is a bottom view thereof;
- FIG. 24 is a front view thereof;
- FIG. 25 is a rear view thereof;
- FIG. 26 is a right side view thereof; and
- FIG. 27 is a left side view thereof.
- FIG. 28 is a top perspective view of another embodiment of a communications plug with a communications cord;
- FIG. 29 is a top perspective view thereof without the cord;
- FIG. 30 is a bottom perspective view thereof;
- FIG. 31 is a top view thereof;
- FIG. 32 is a bottom view thereof;
- FIG. 33 is a front view thereof;
- FIG. 34 is a rear view thereof;
- FIG. 35 is a right side view thereof; and,
- FIG. 36 is a left side view thereof.

The broken line showing of the environment in the figure drawings is included to show unclaimed subject matter only and forms no part of the claimed design. The shading drawn on the top and bottom grips indicates that these regions may be formed of a different material type than the remainder of the plug, and that these regions may be formed of a glossy material. The illustrated device is not limited to the scale shown.

1 Claim, 30 Drawing Sheets



US D588,998 S

Page 2

U.S. PATENT DOCUMENTS

2008/0048039	A1*	2/2008	Kotlarsky et al.	235/462.42	2008/0139970	A1*	6/2008	Macomber et al.	600/595
2008/0050972	A1*	2/2008	Keith et al.	439/626	2008/0277475	A1*	11/2008	Kotlarsky et al.	235/462.07

* cited by examiner

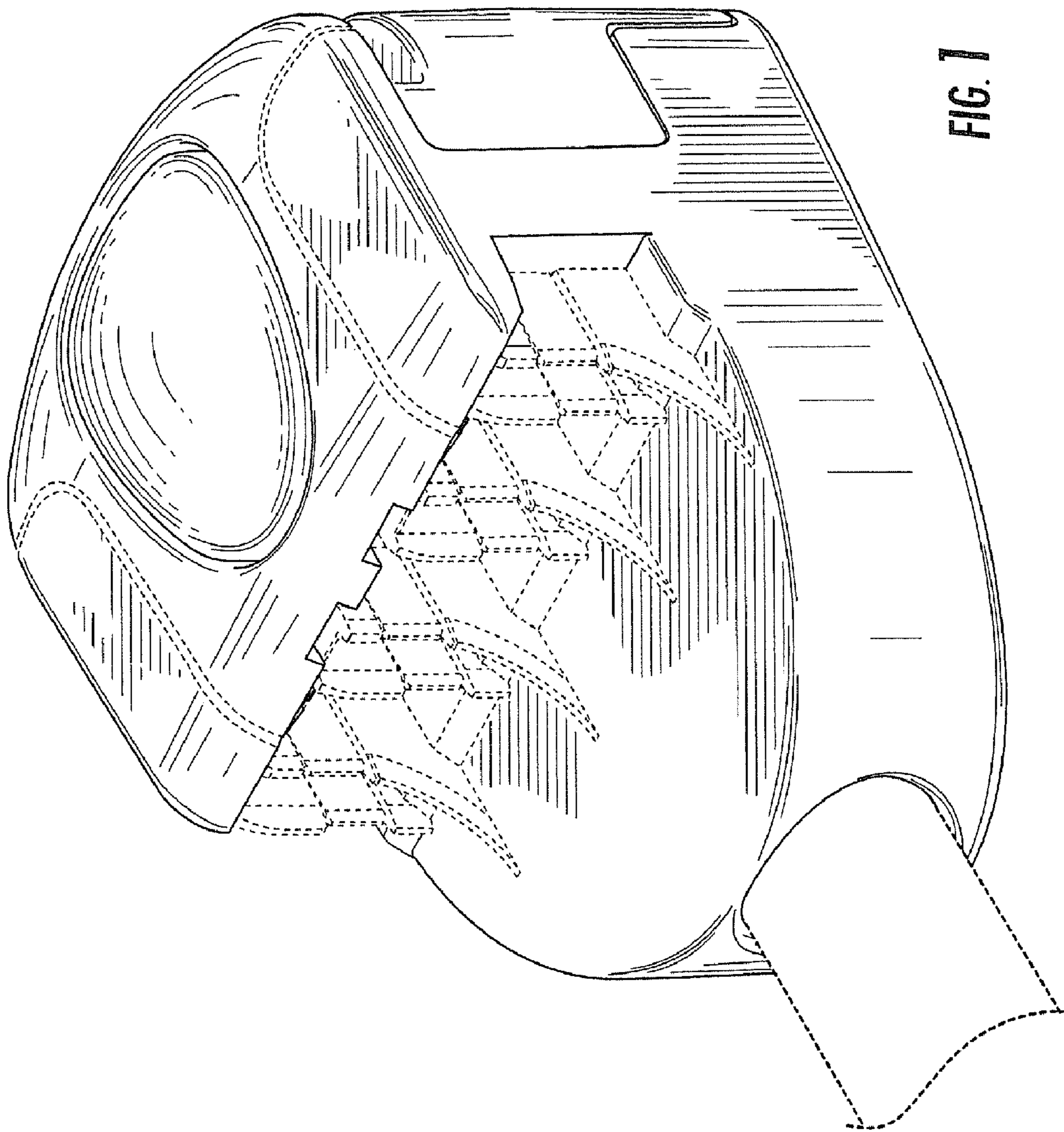


FIG. 1

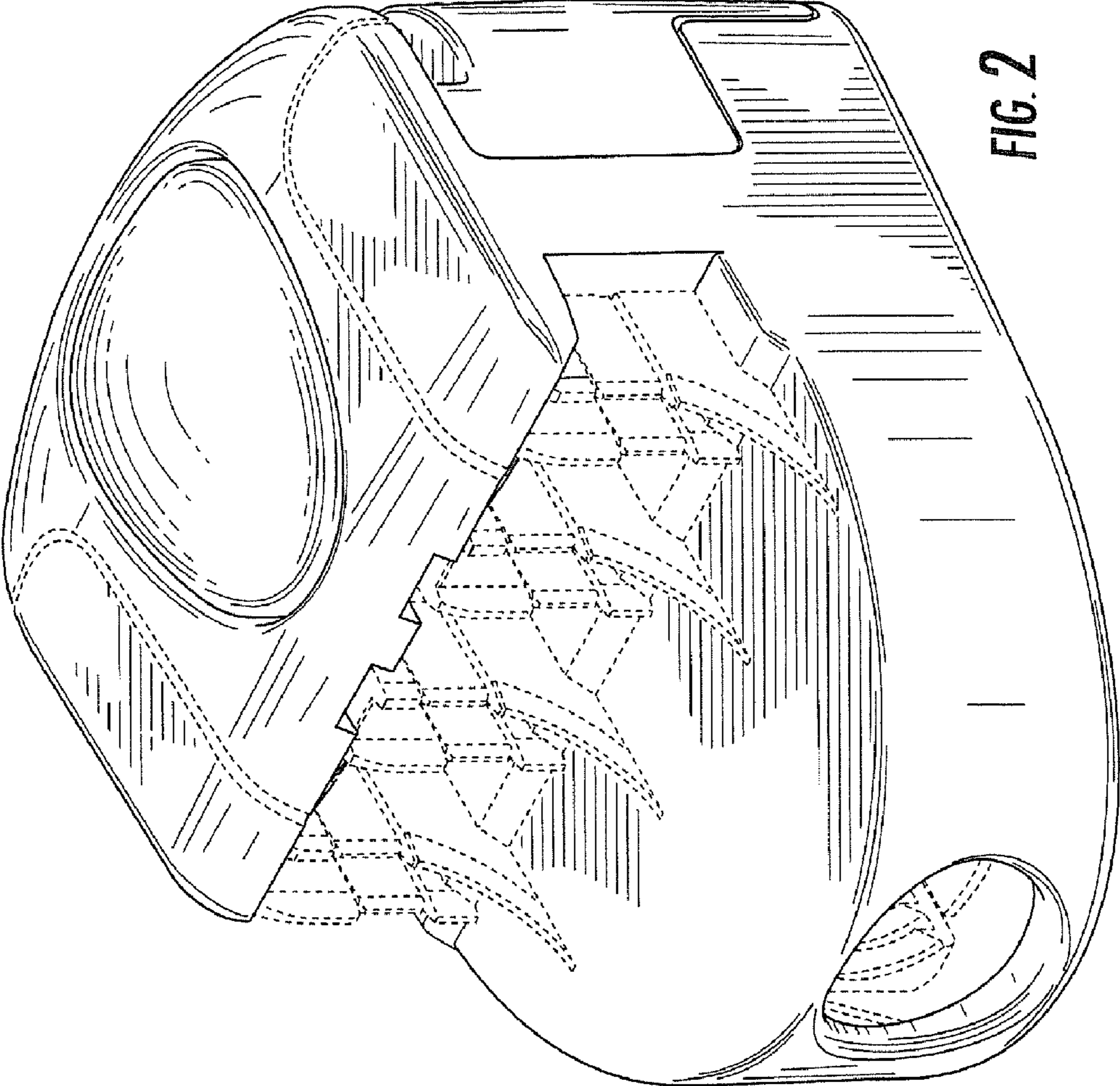


FIG. 2

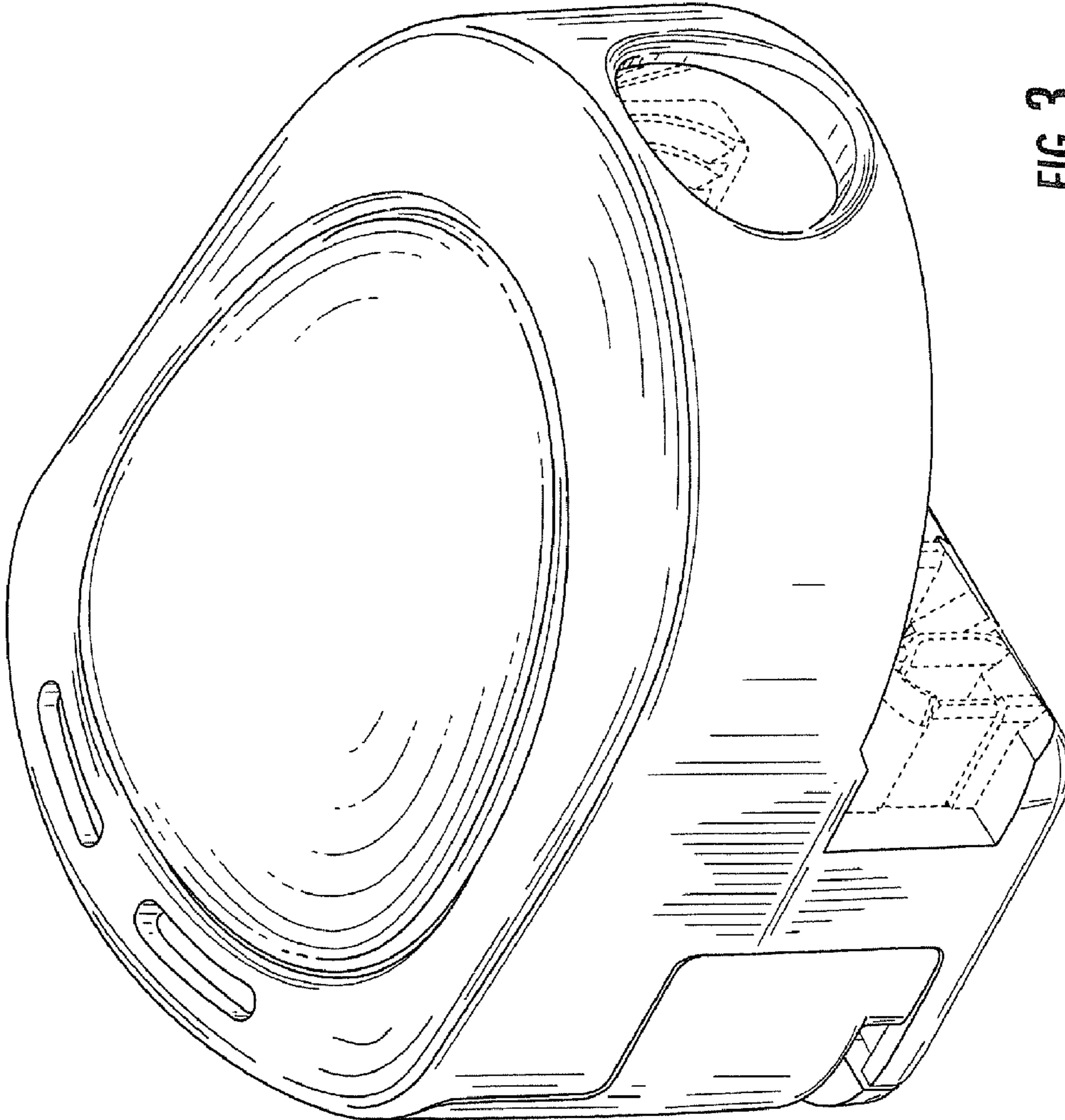


FIG. 3

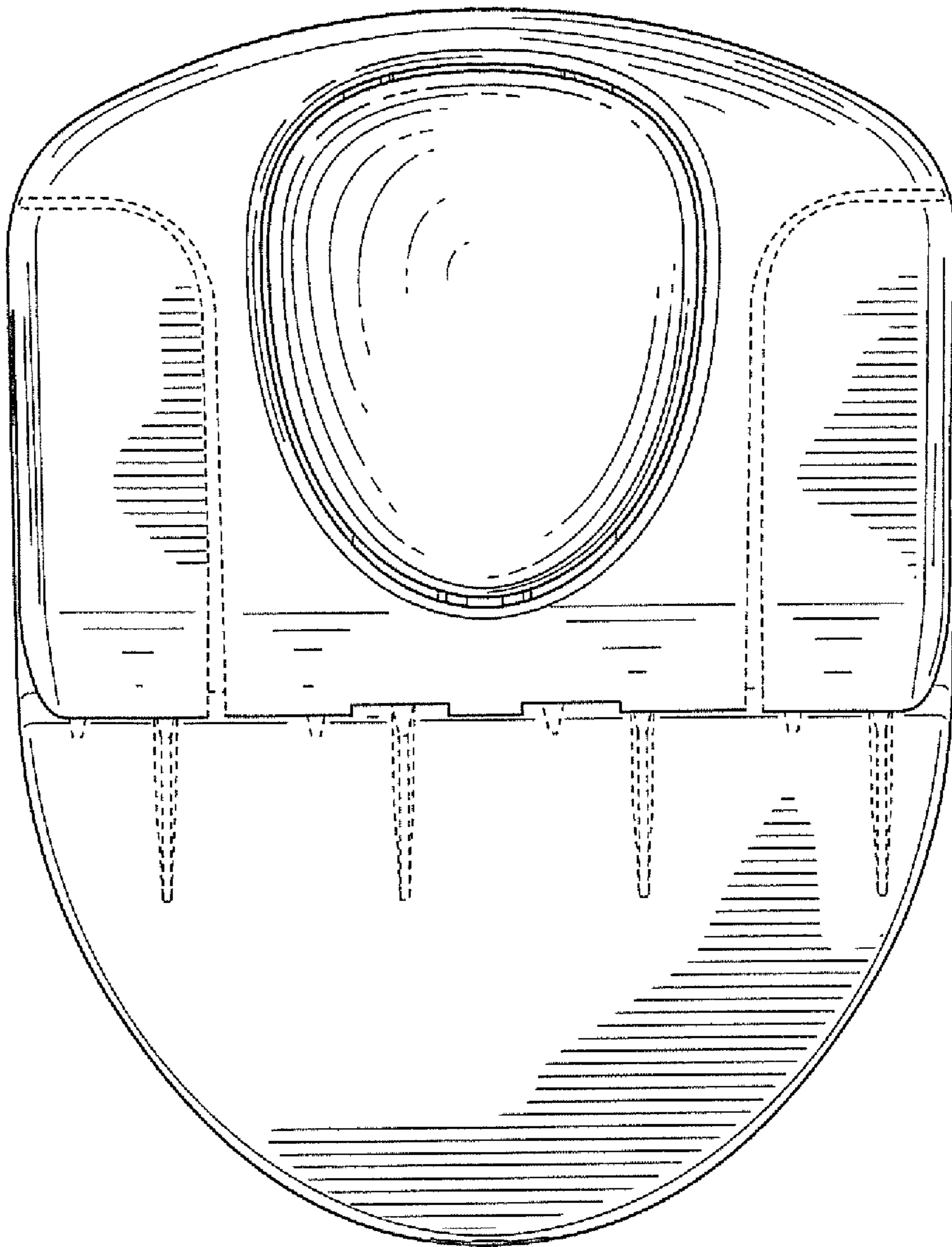


FIG. 4

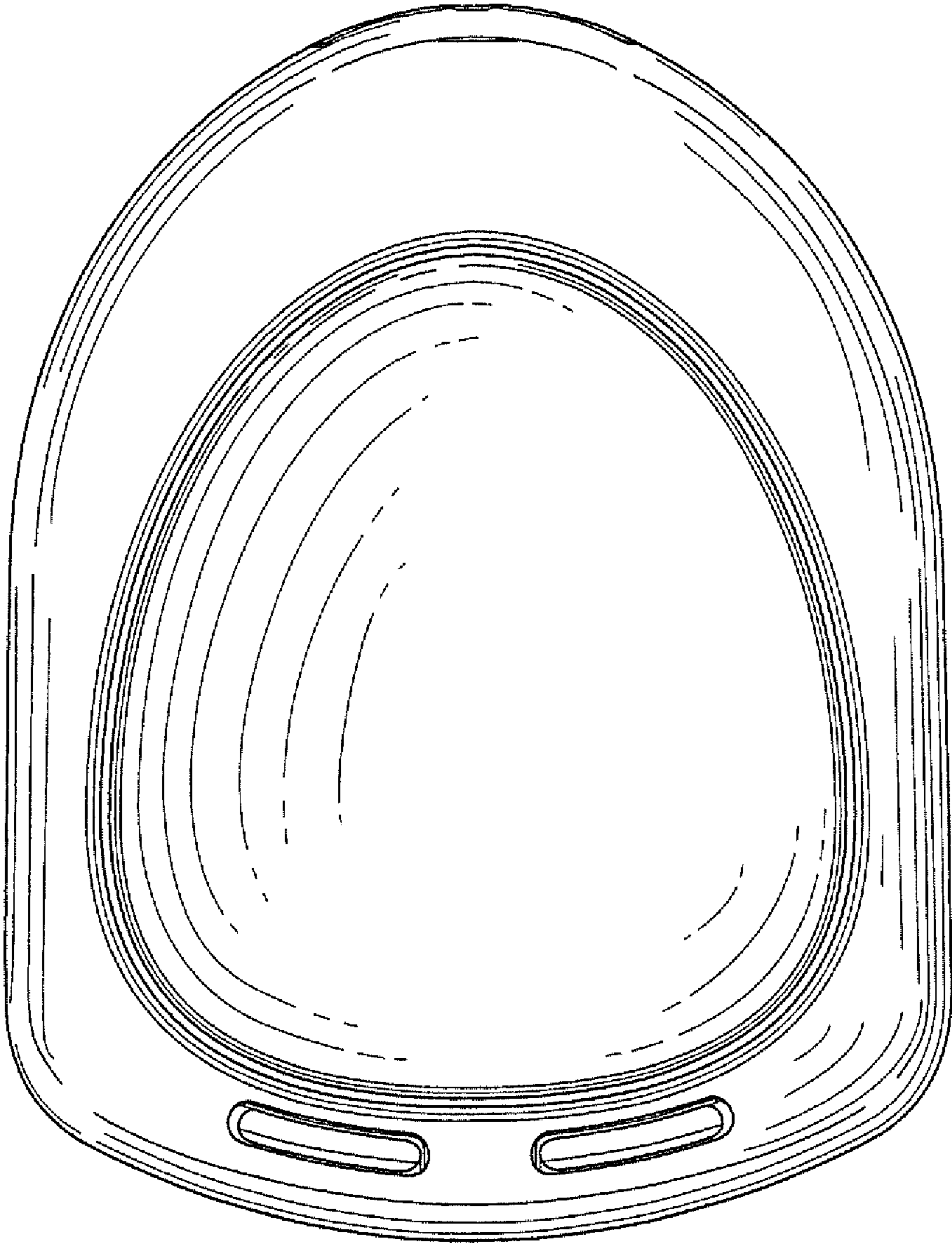


FIG. 5

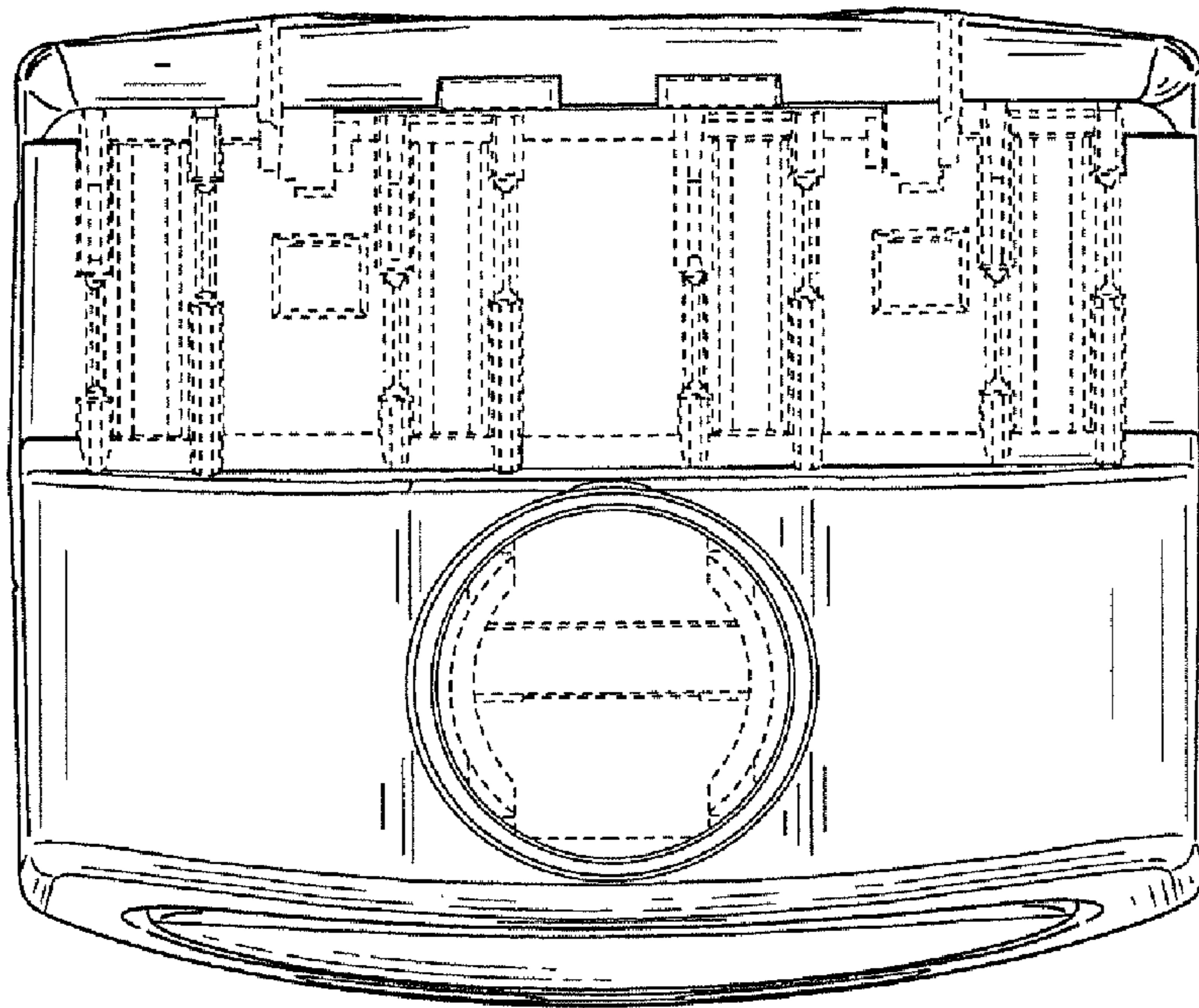


FIG. 6

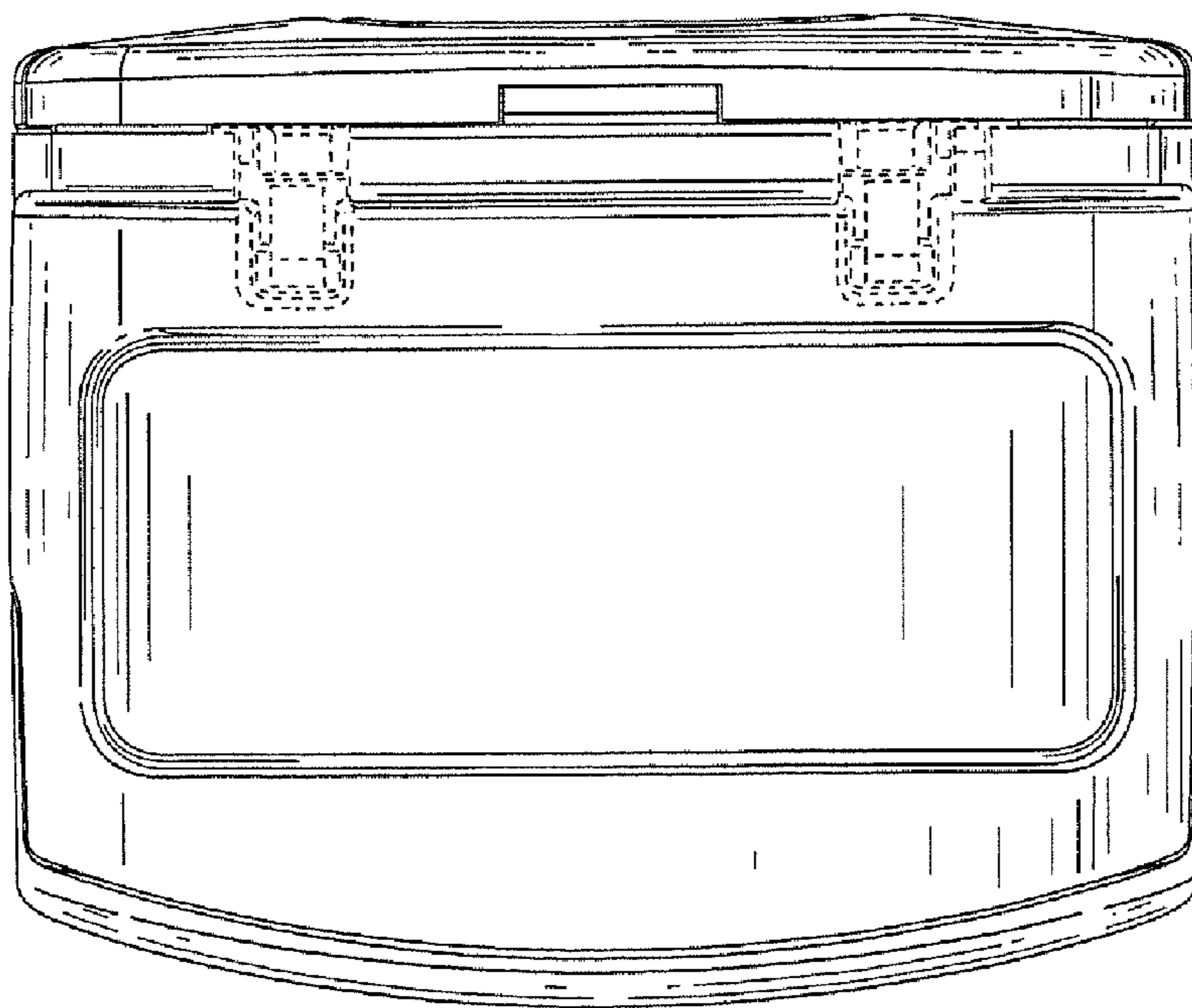


FIG. 7

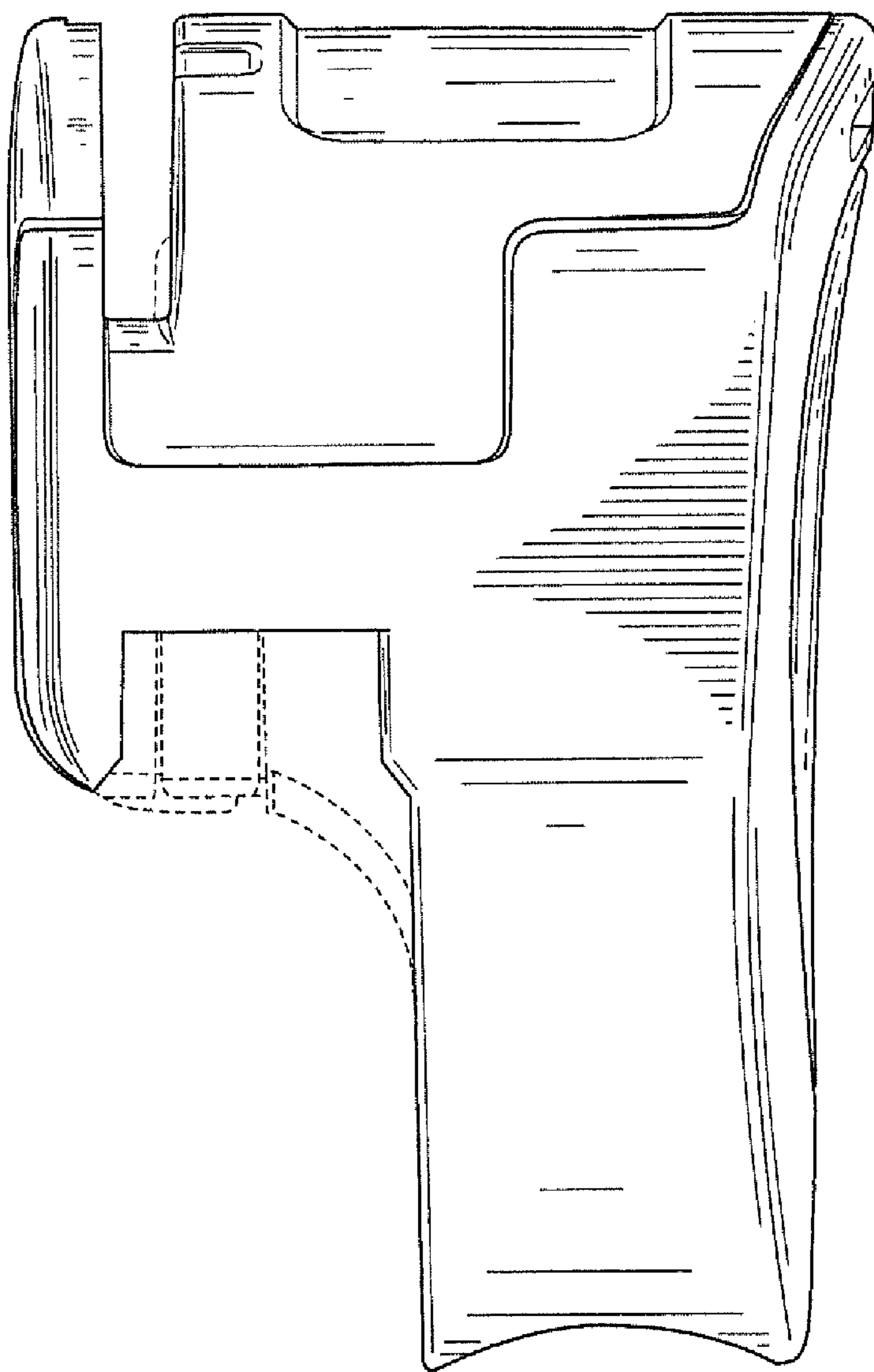


FIG. 8

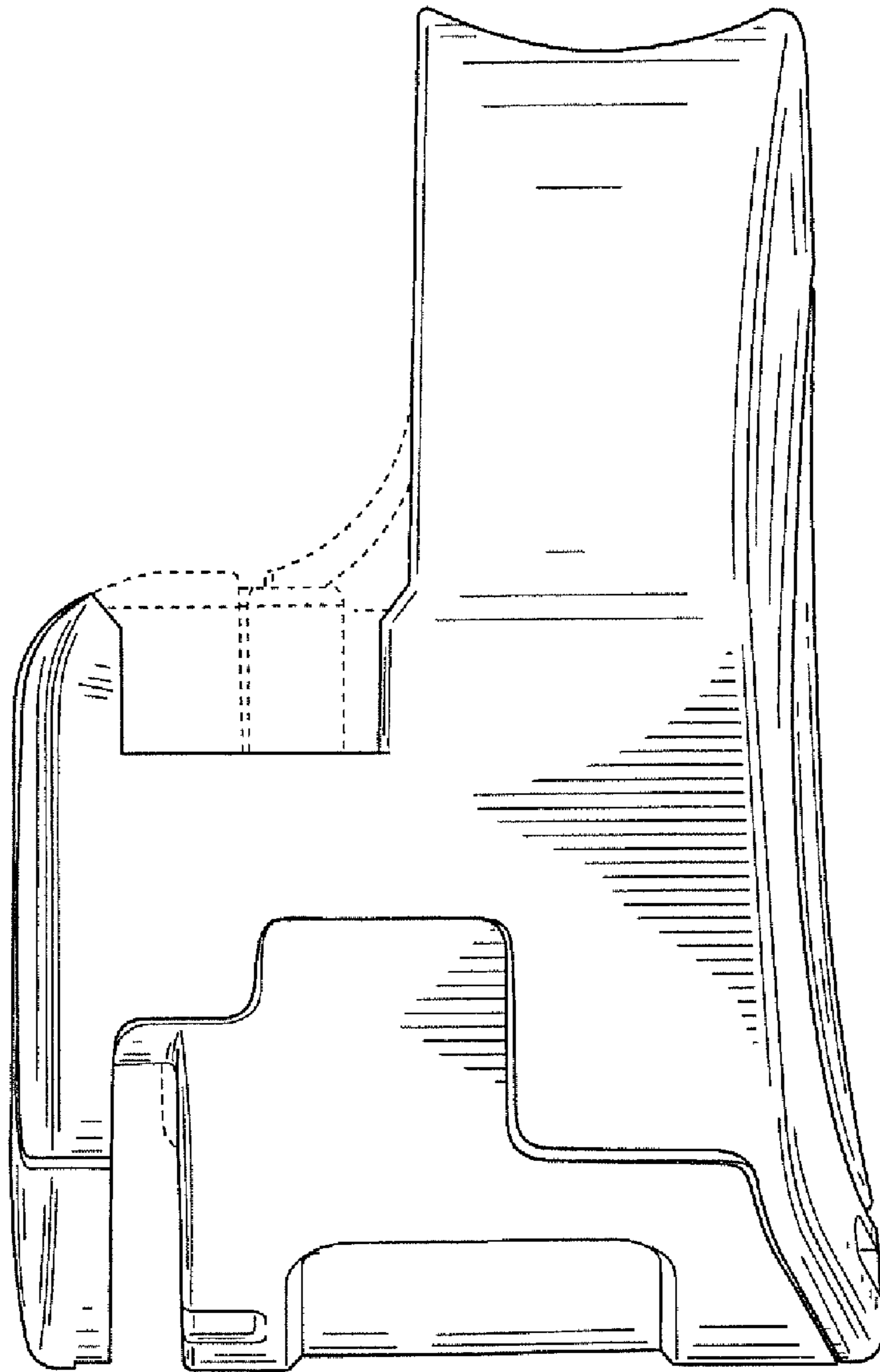


FIG. 9

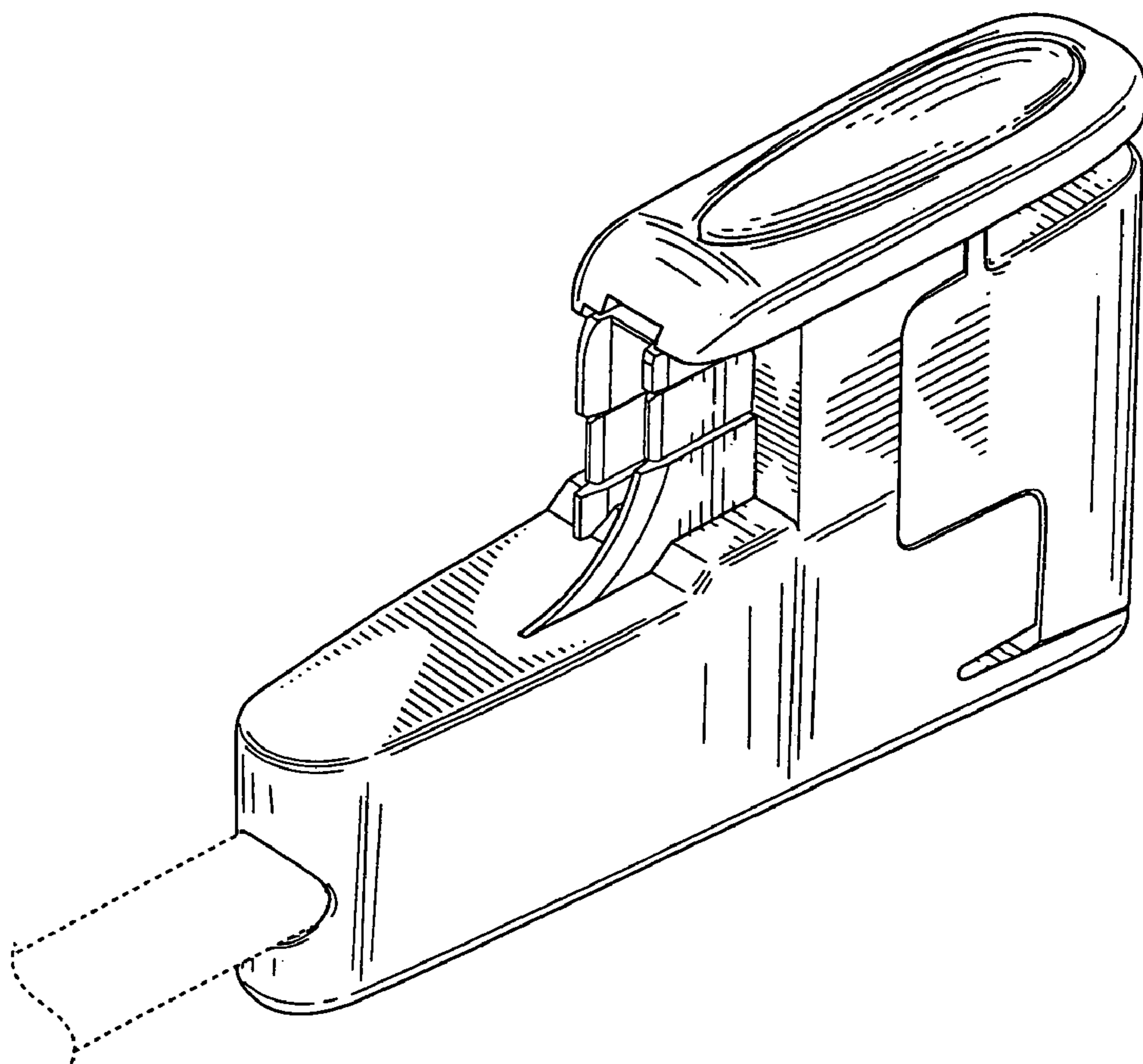


FIG. 10

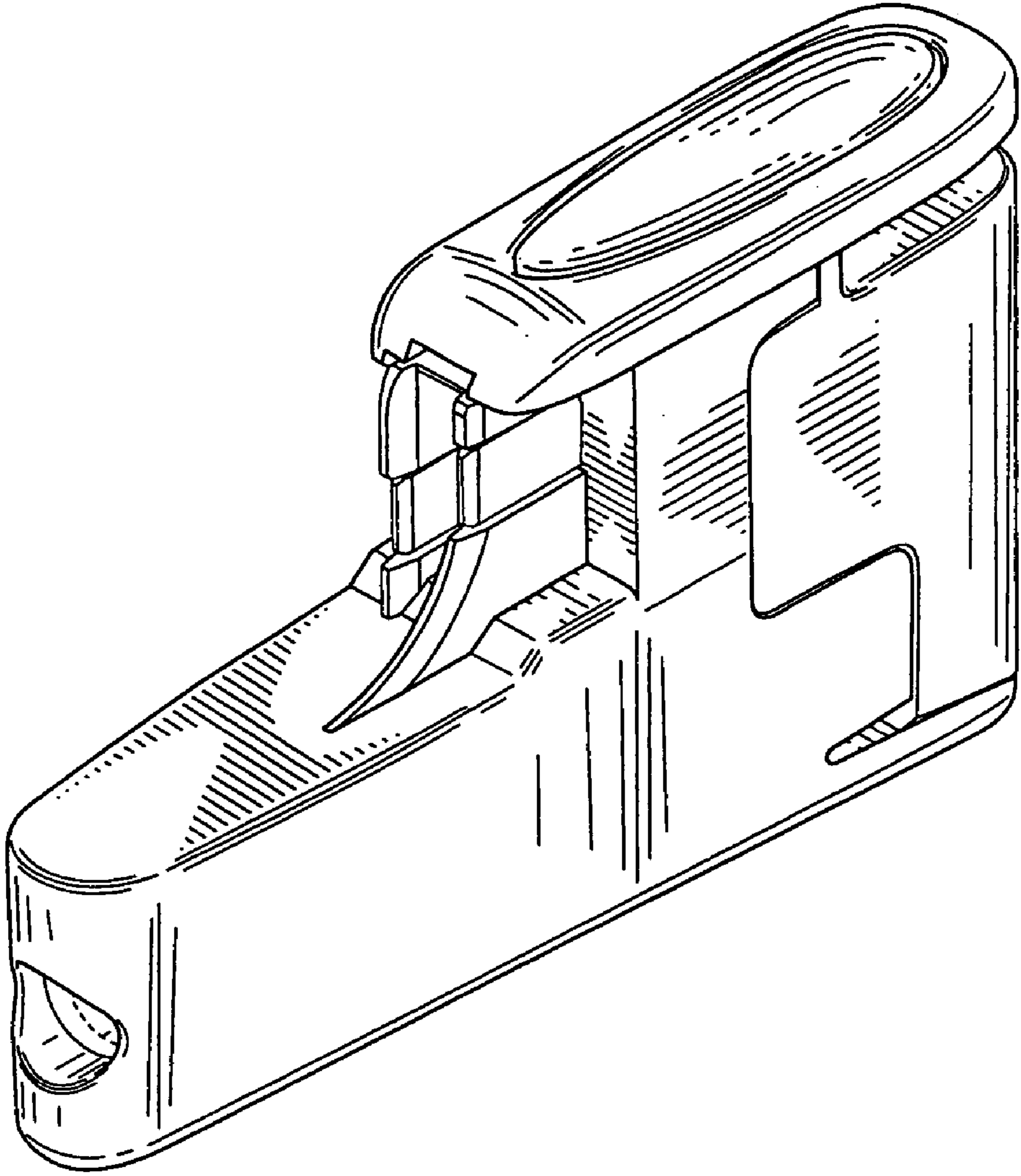


FIG. 11

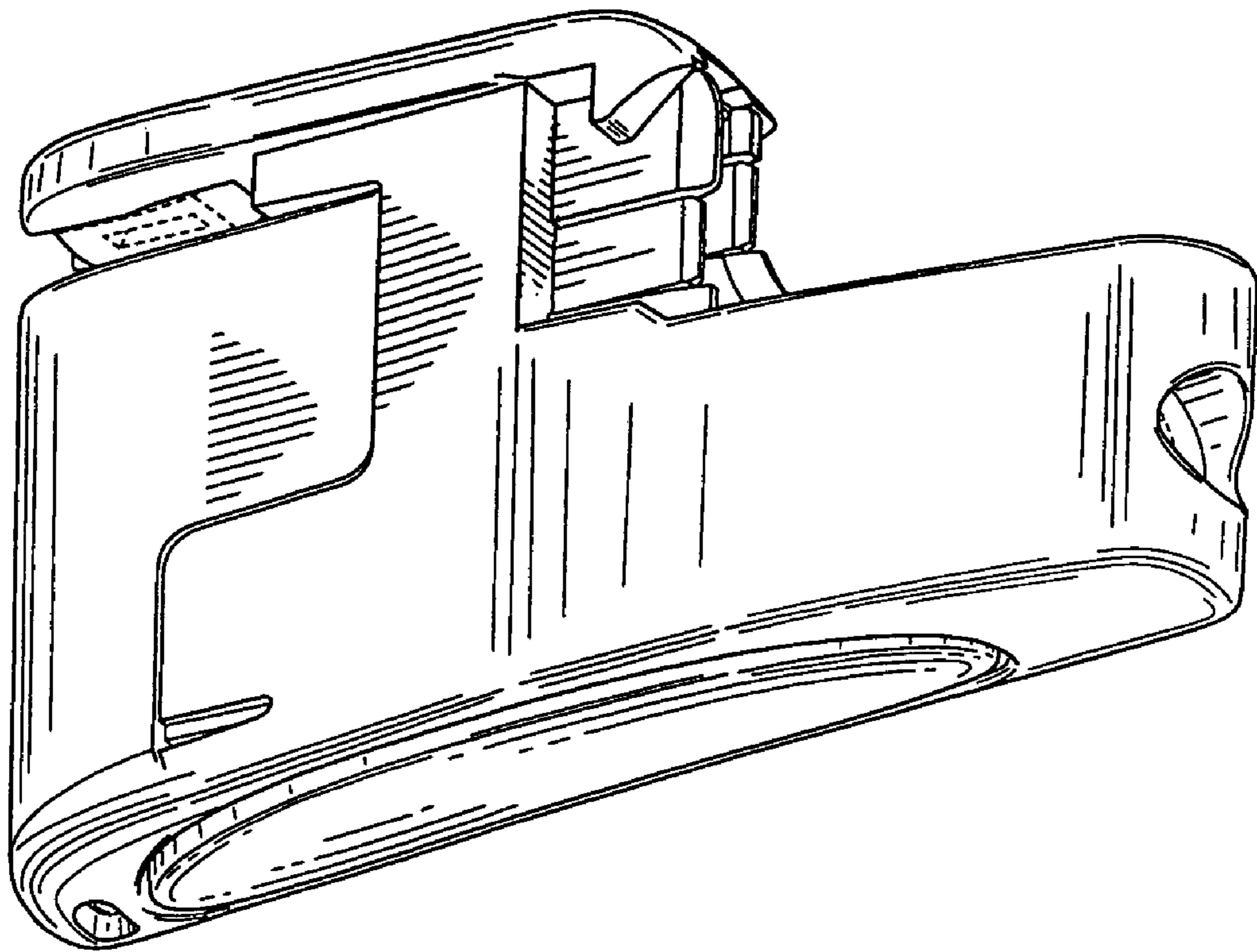


FIG. 12

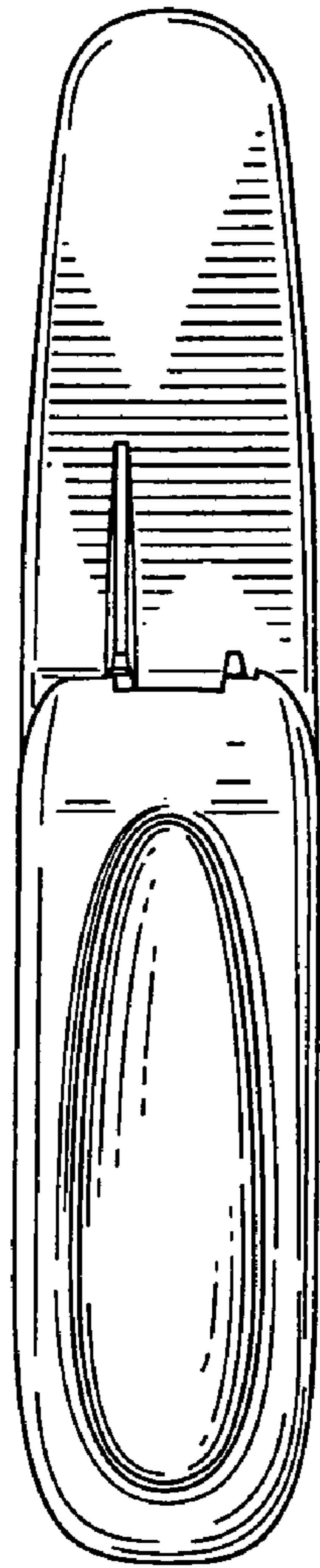


FIG. 13

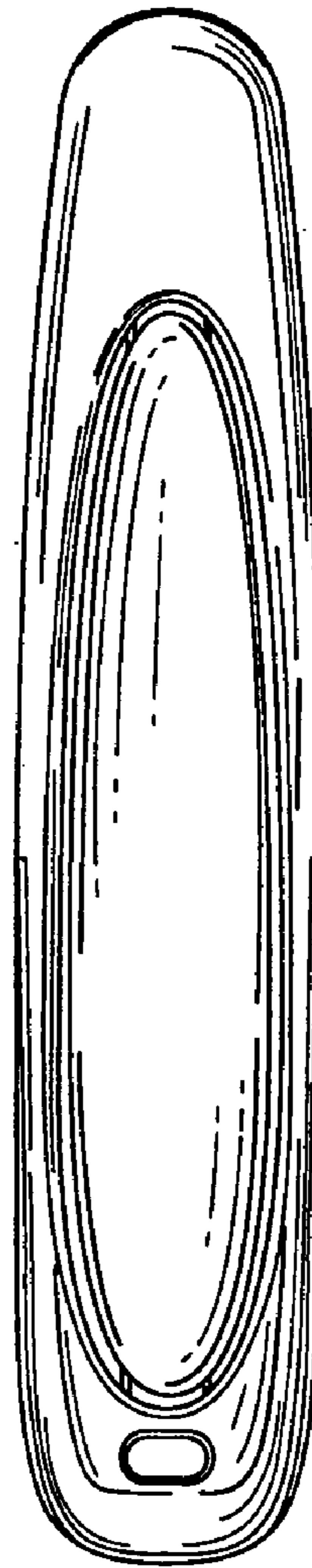


FIG. 14

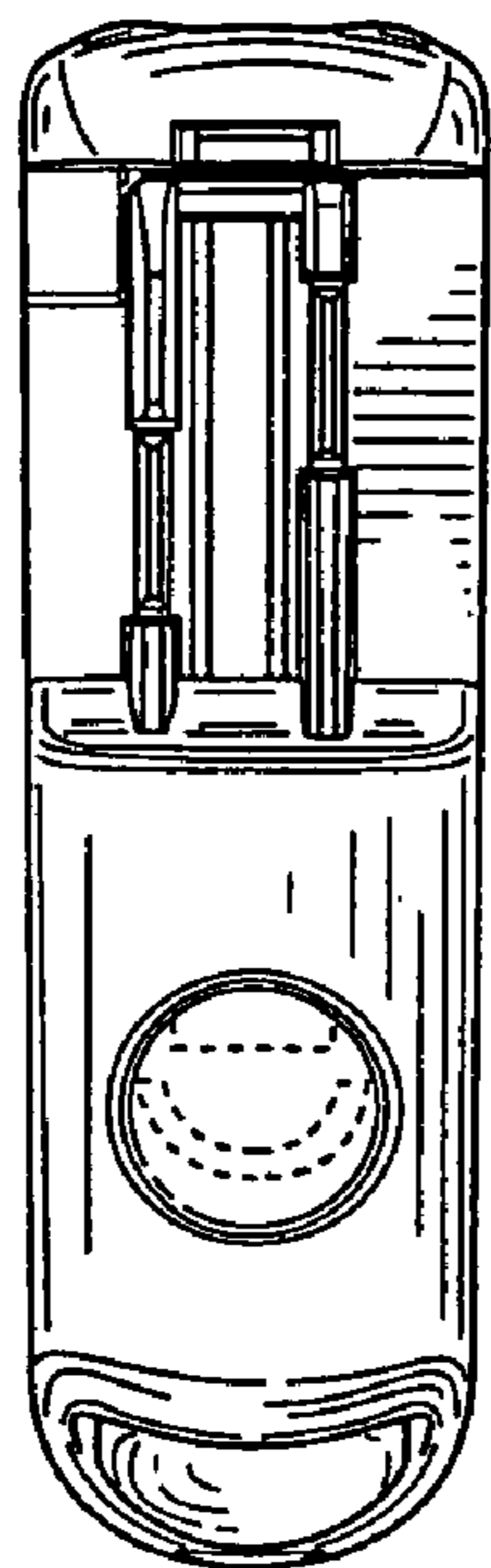


FIG. 15

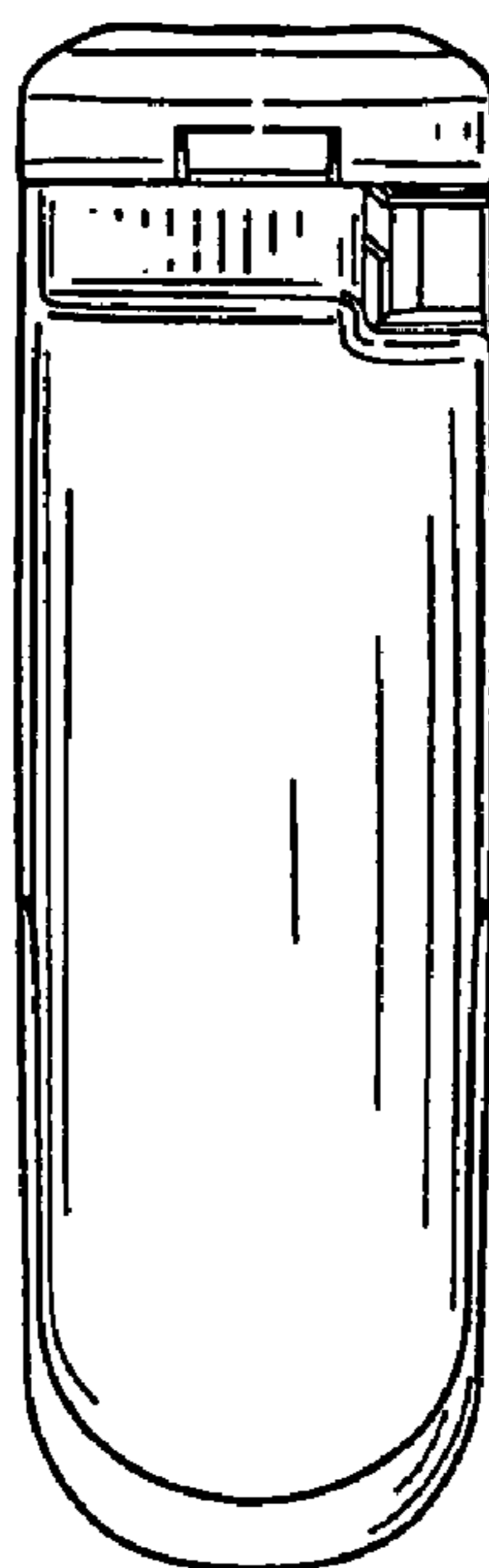


FIG. 16

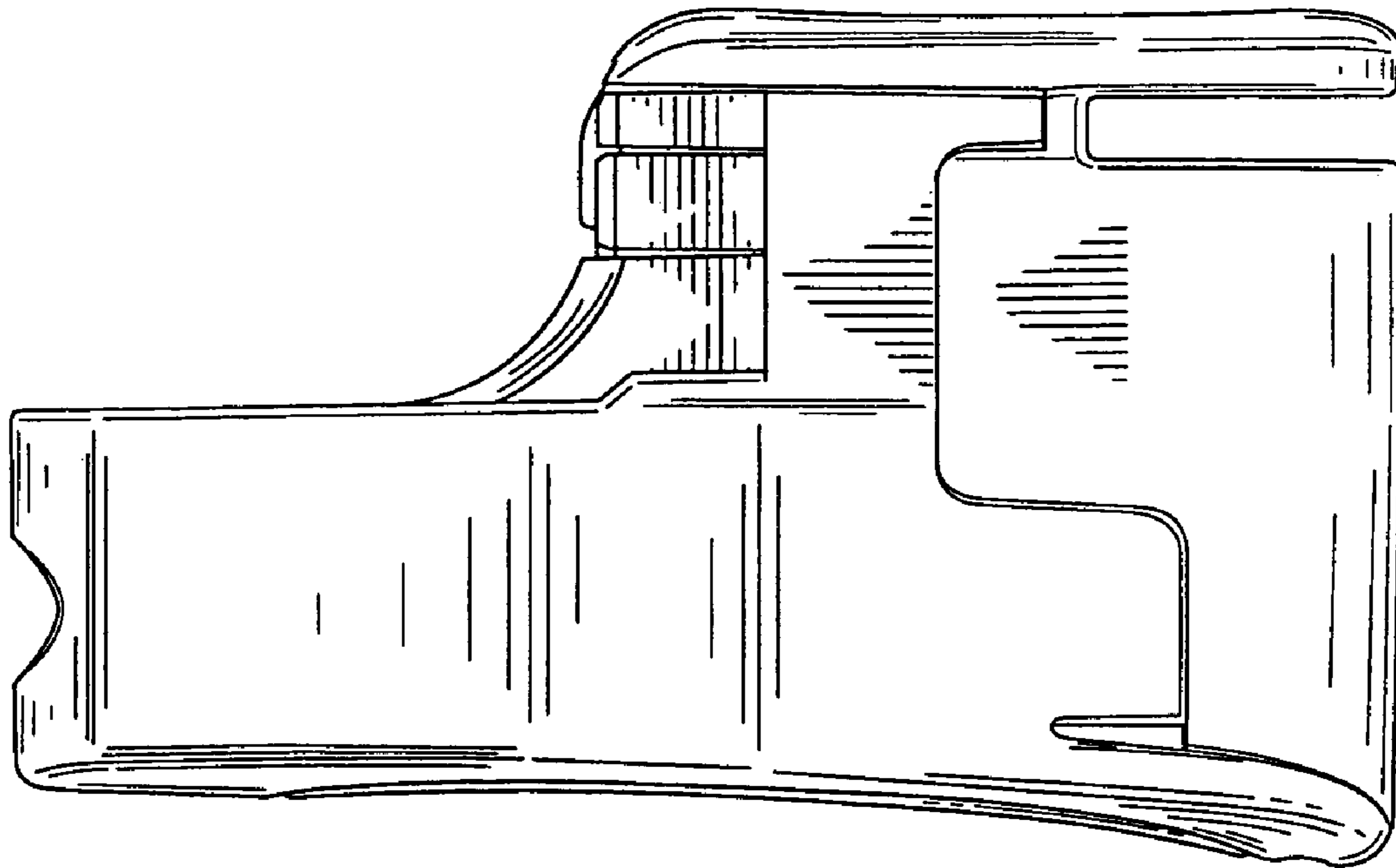


FIG. 17

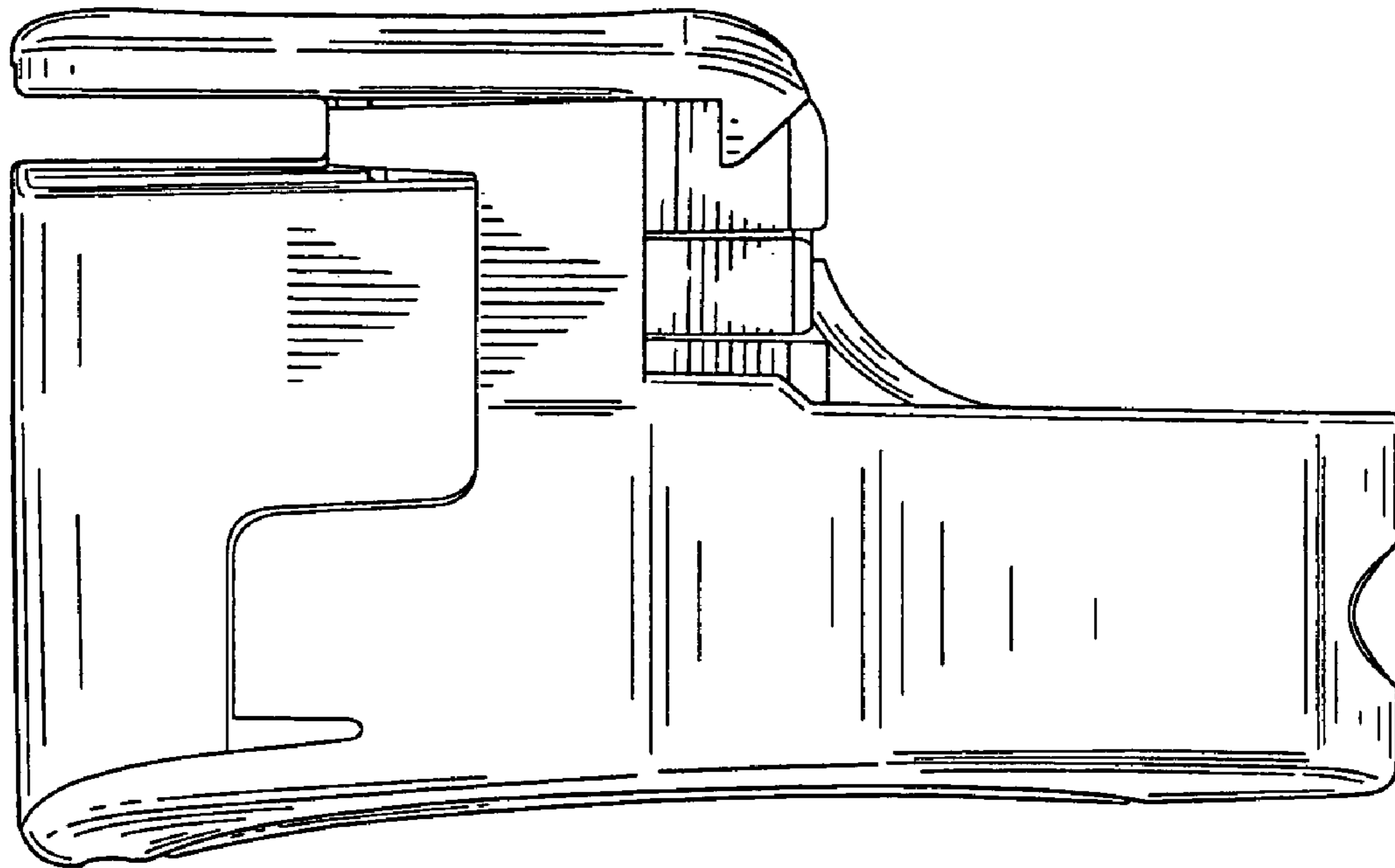


FIG. 18

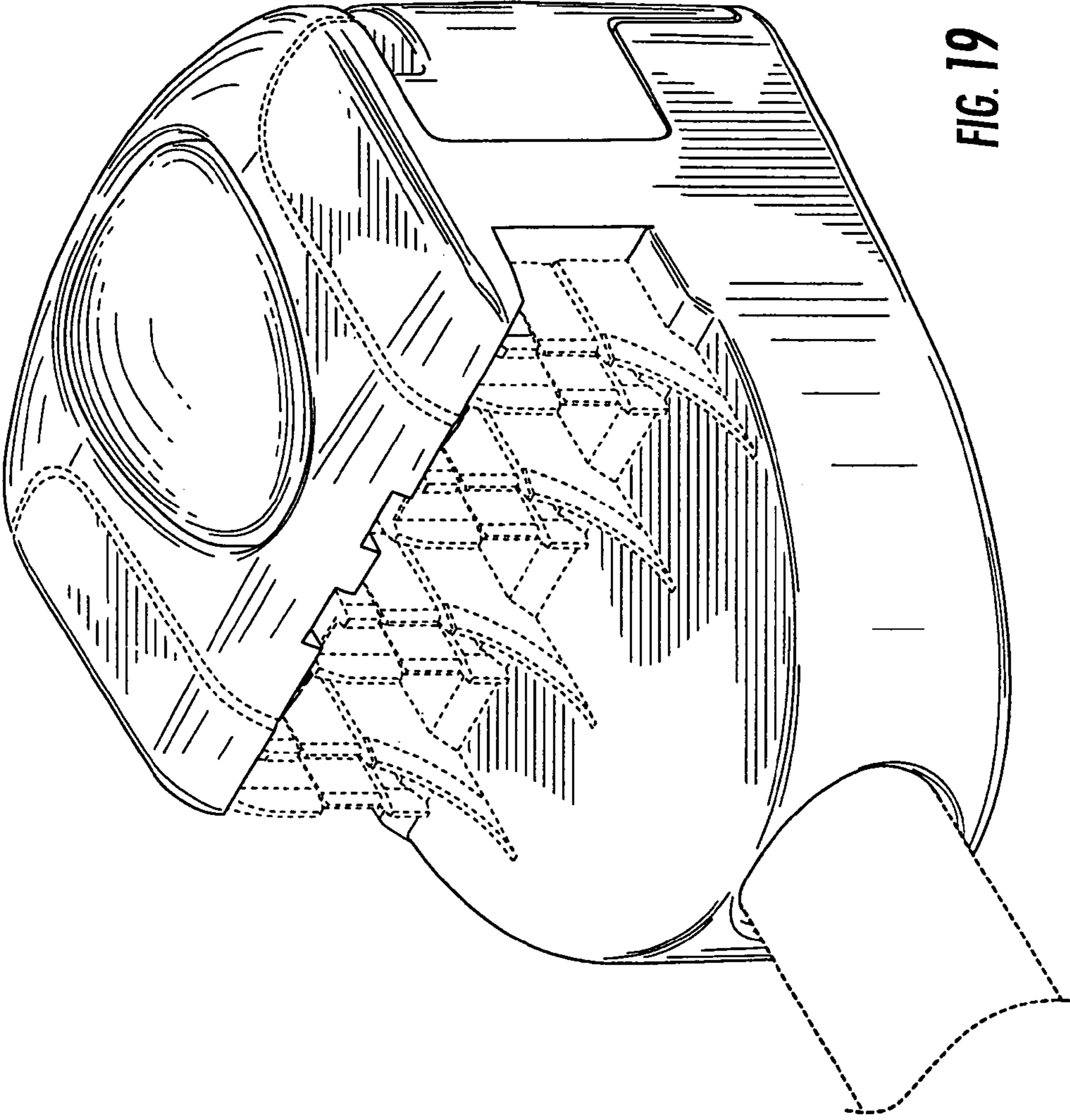


FIG. 19

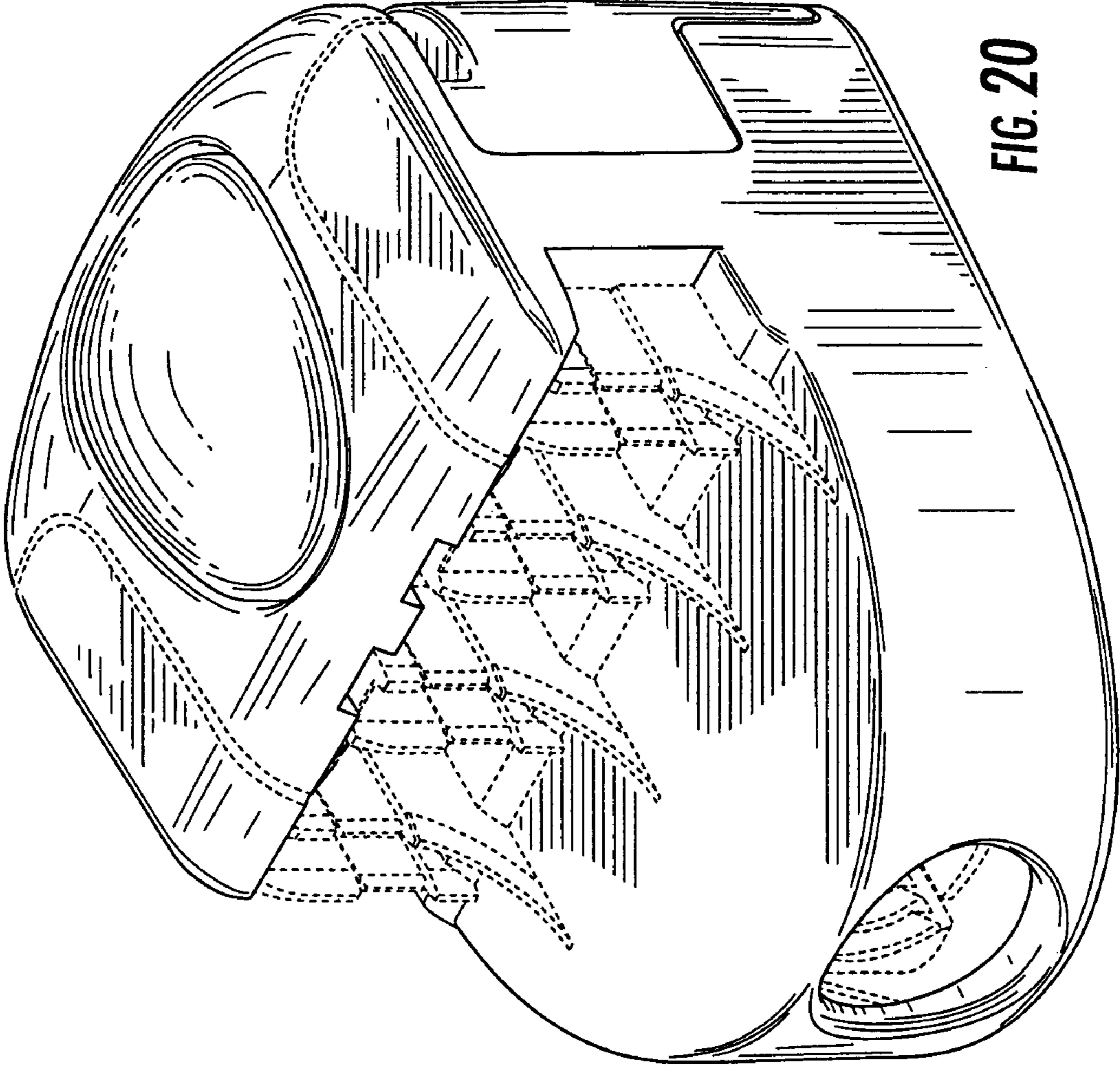


FIG. 20

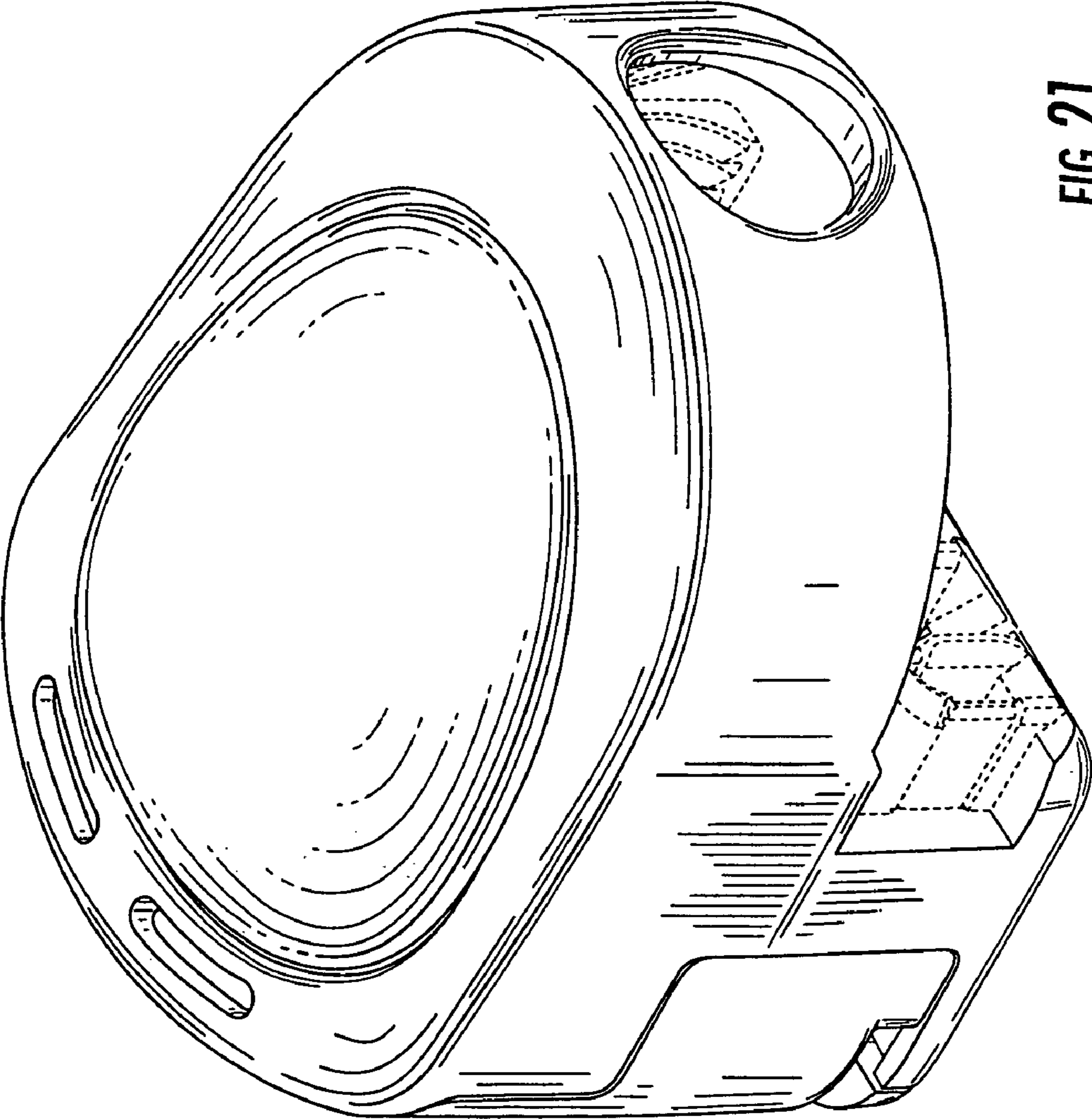


FIG. 21

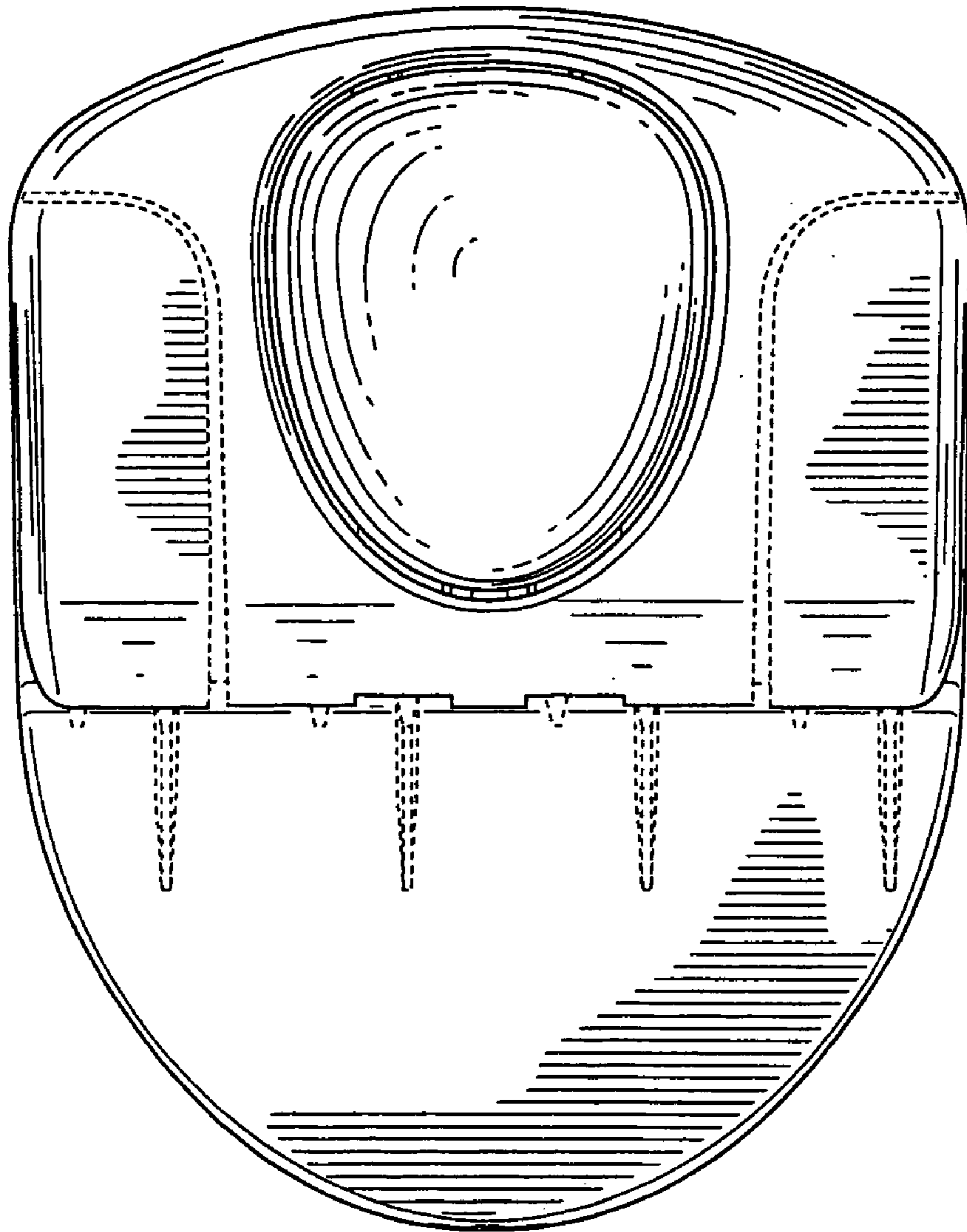


FIG. 22

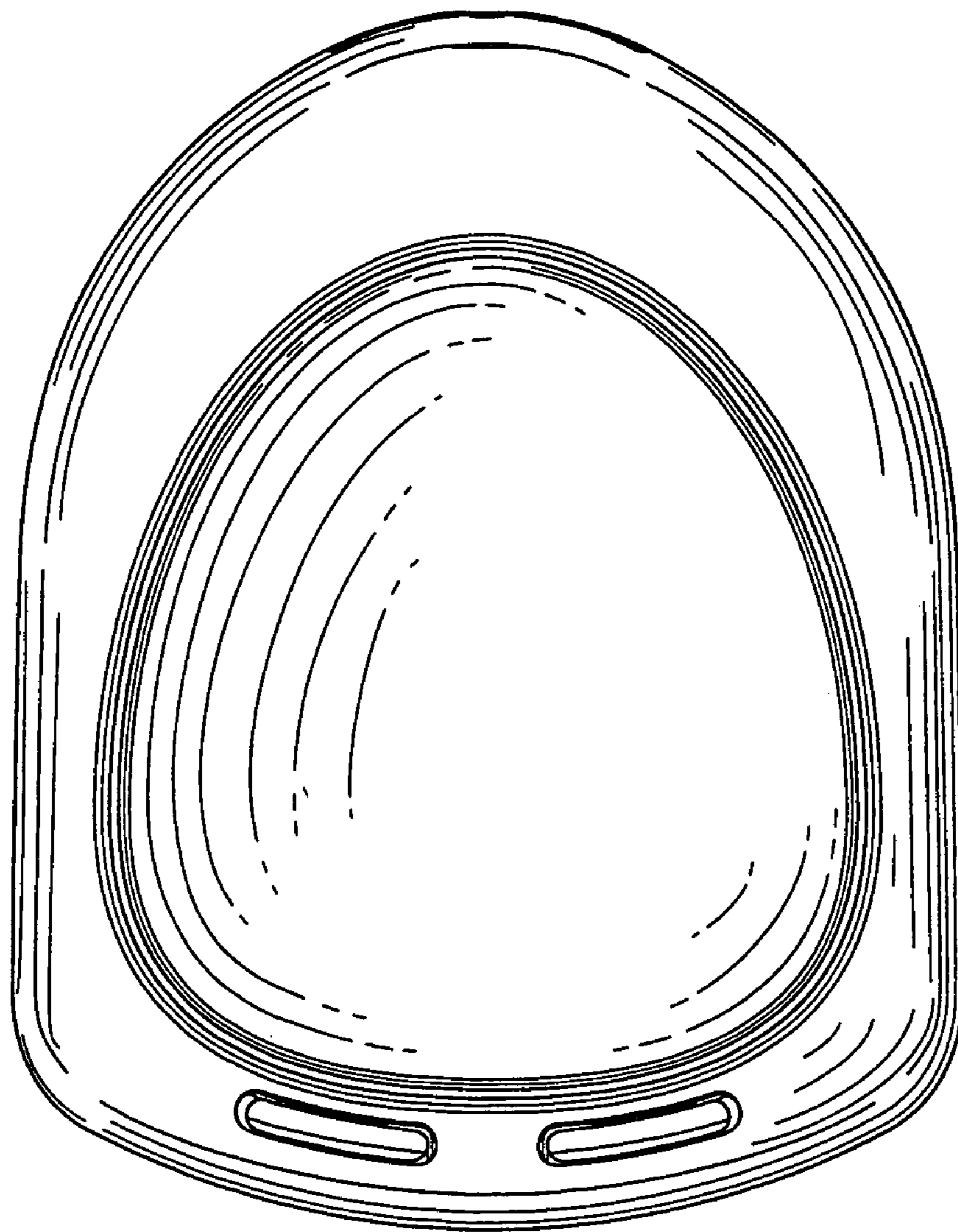


FIG. 23

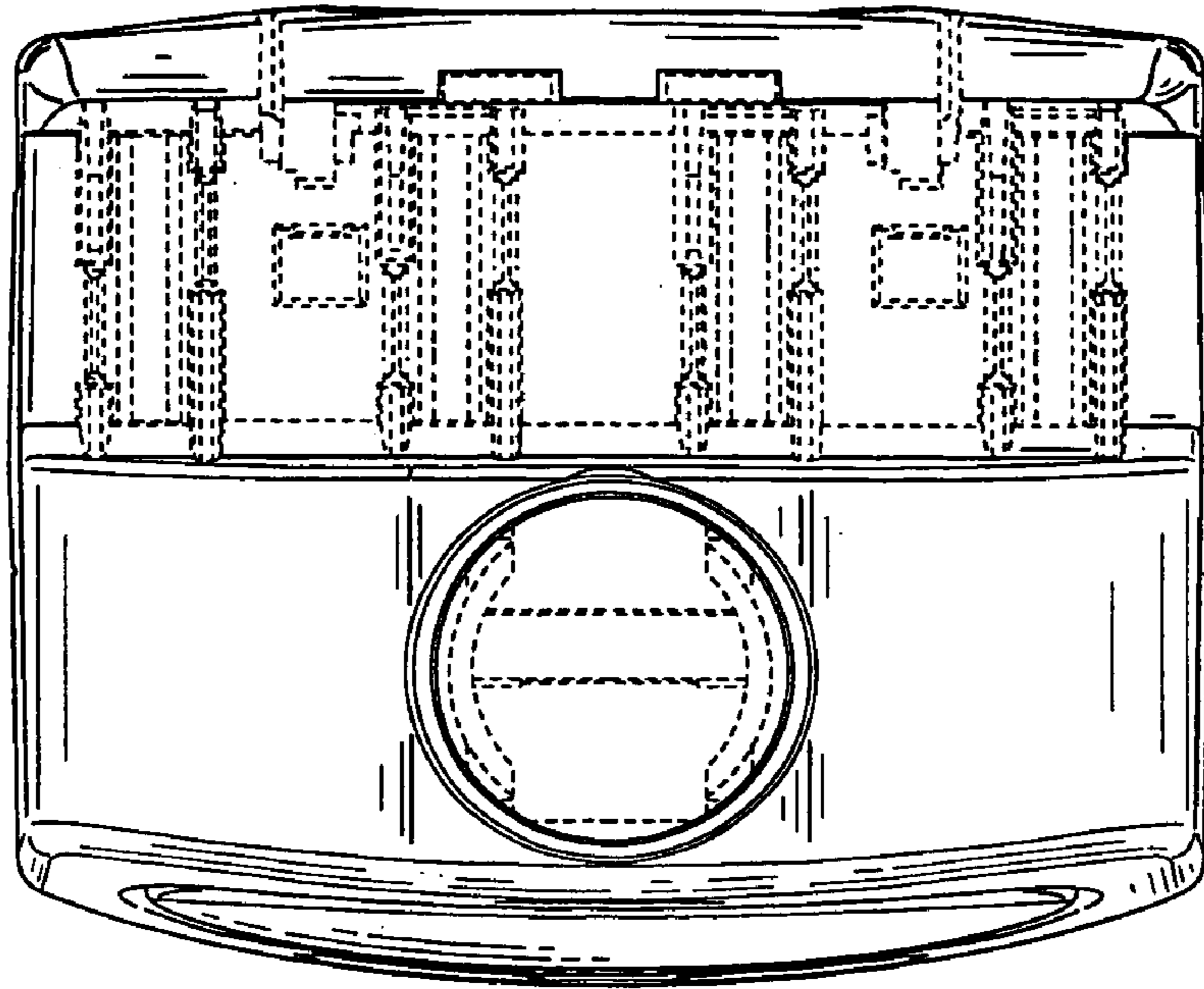


FIG. 24

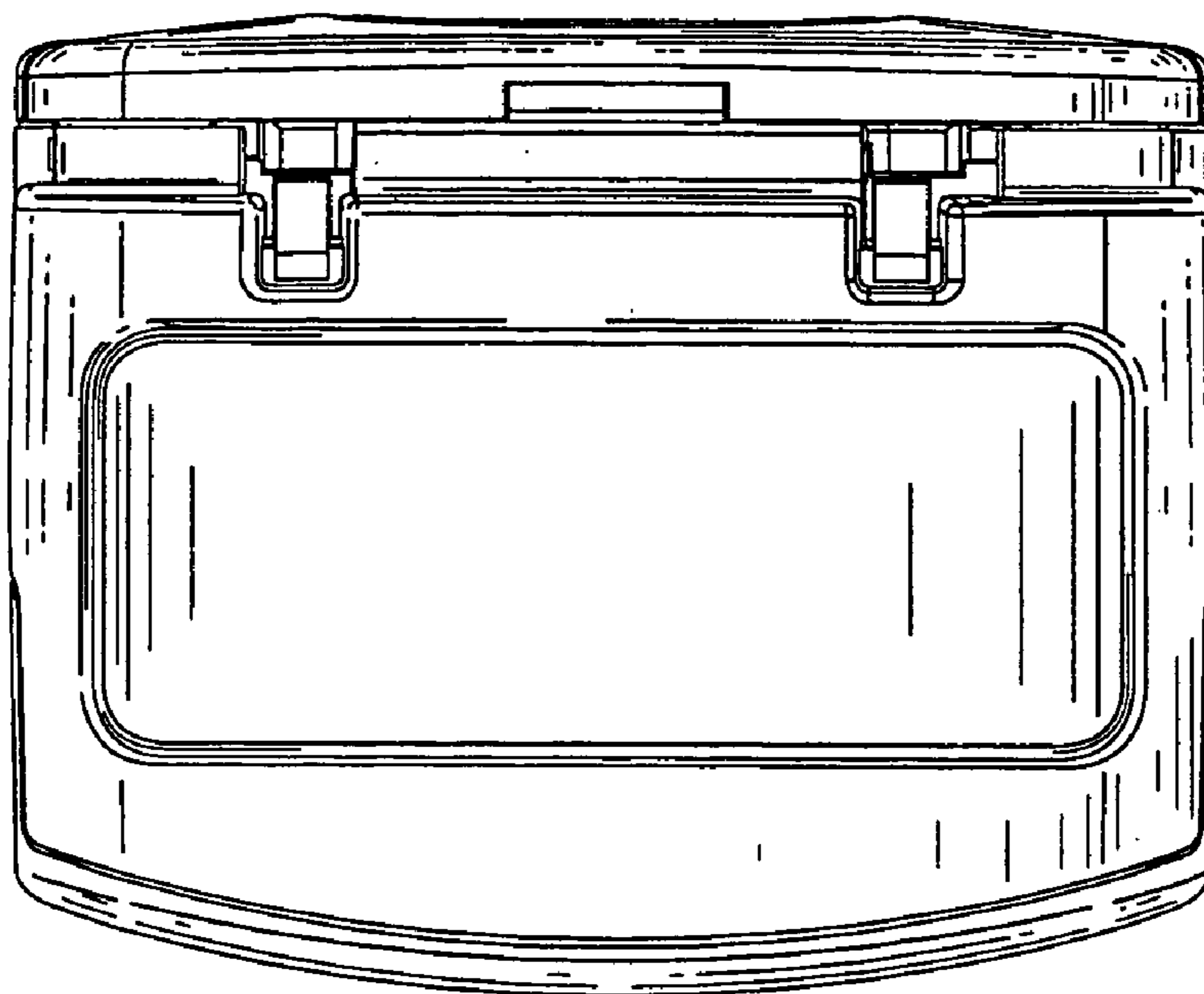


FIG. 25

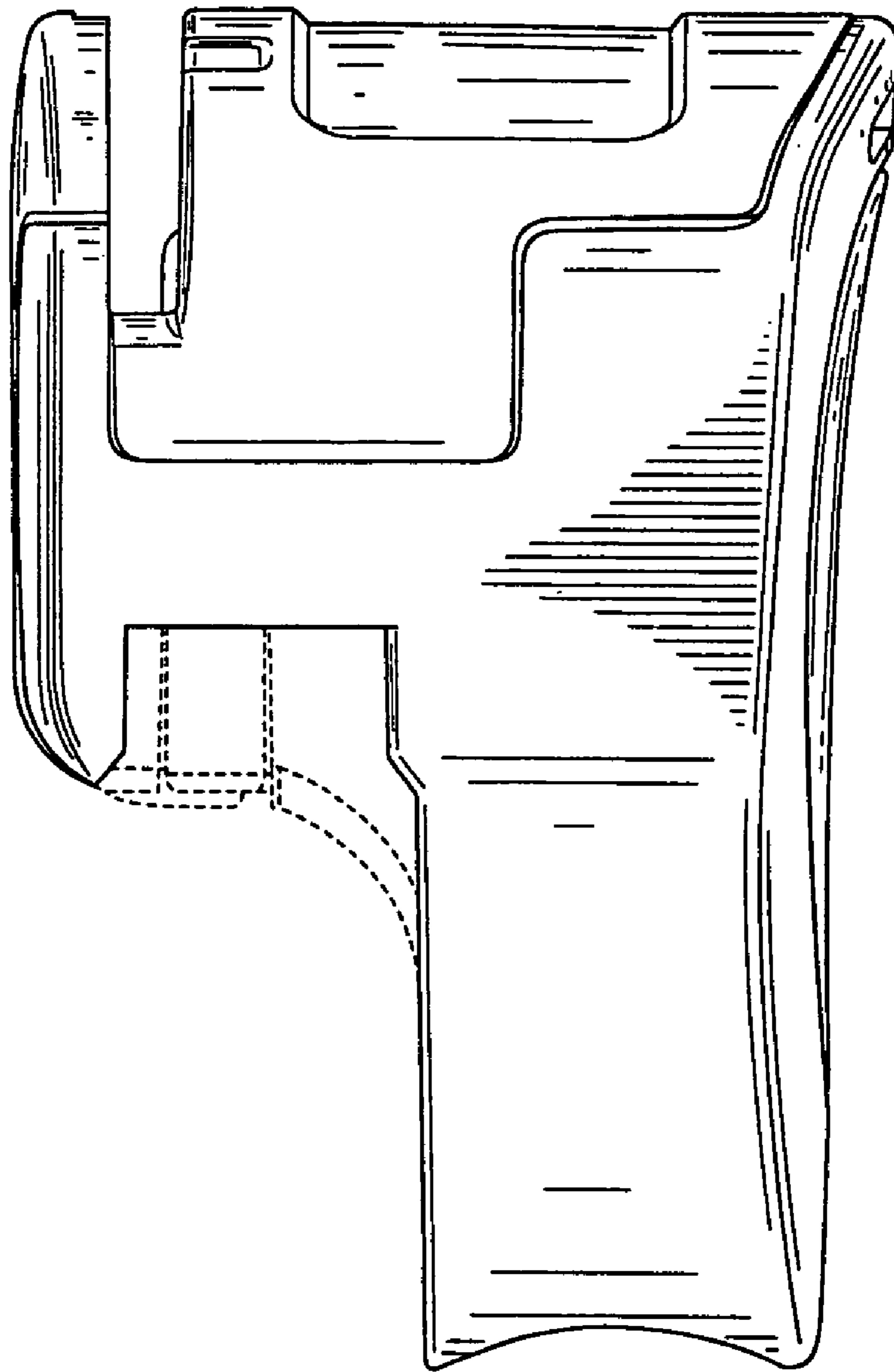


FIG. 26

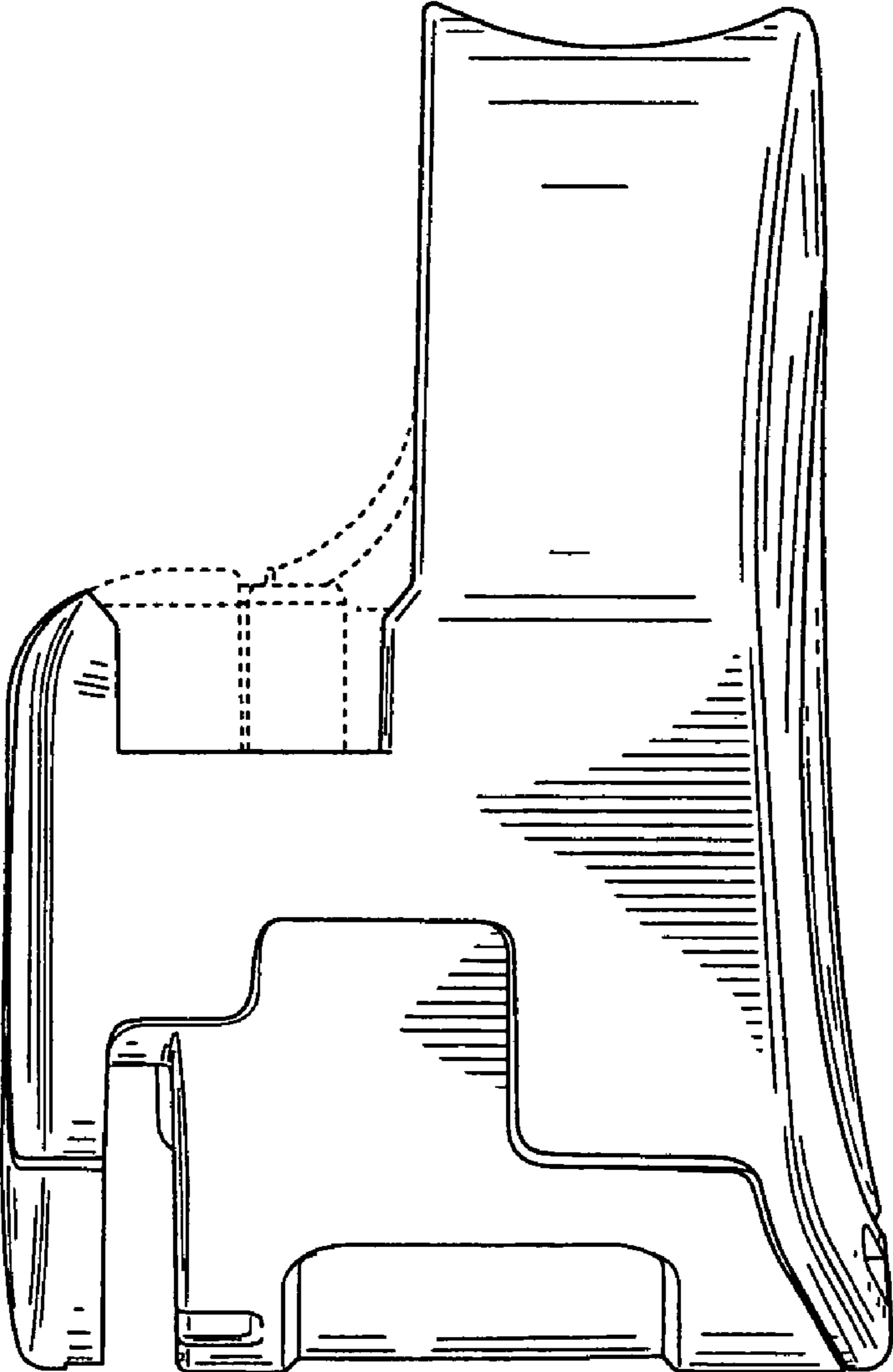


FIG. 27

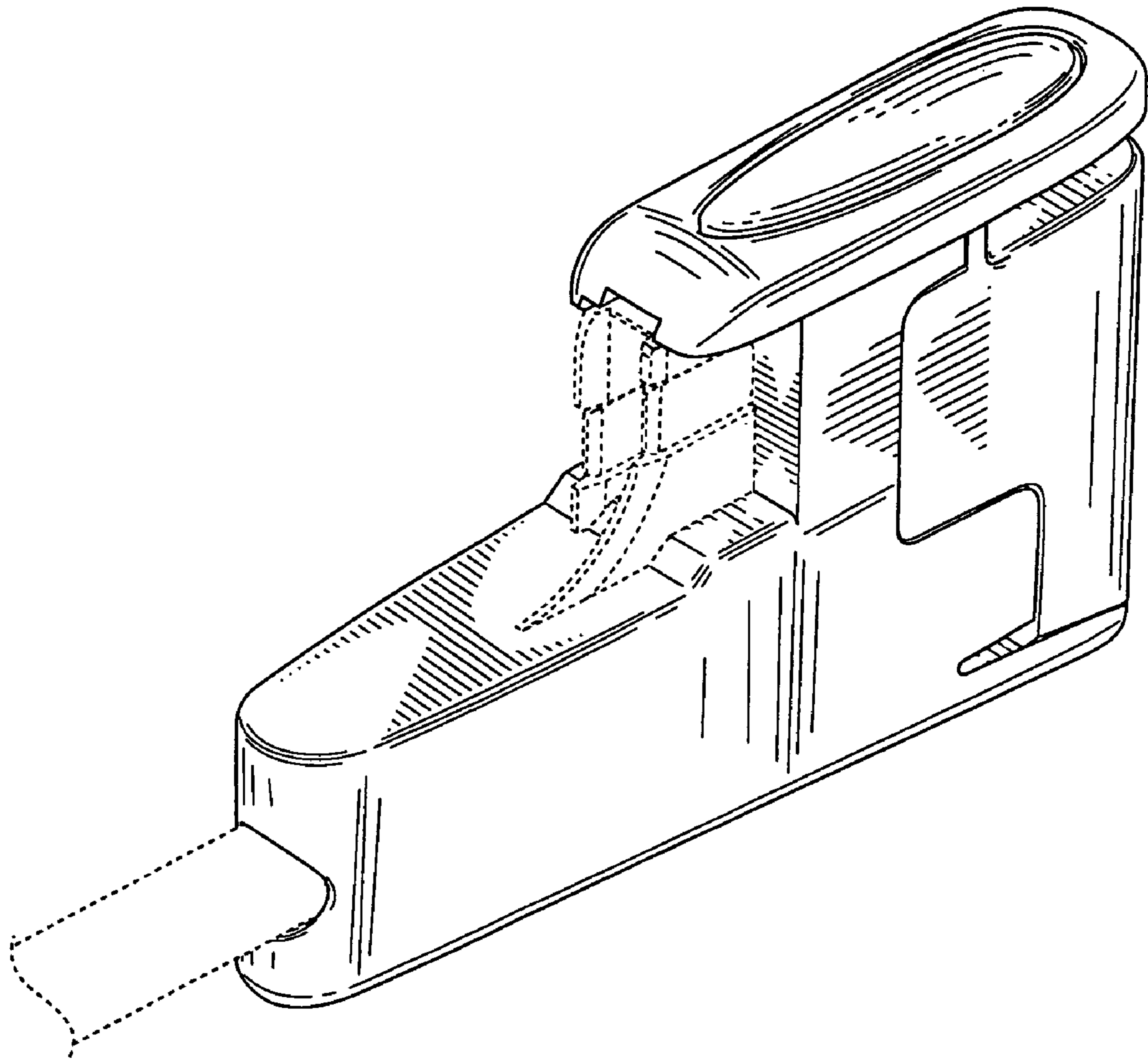


FIG. 28

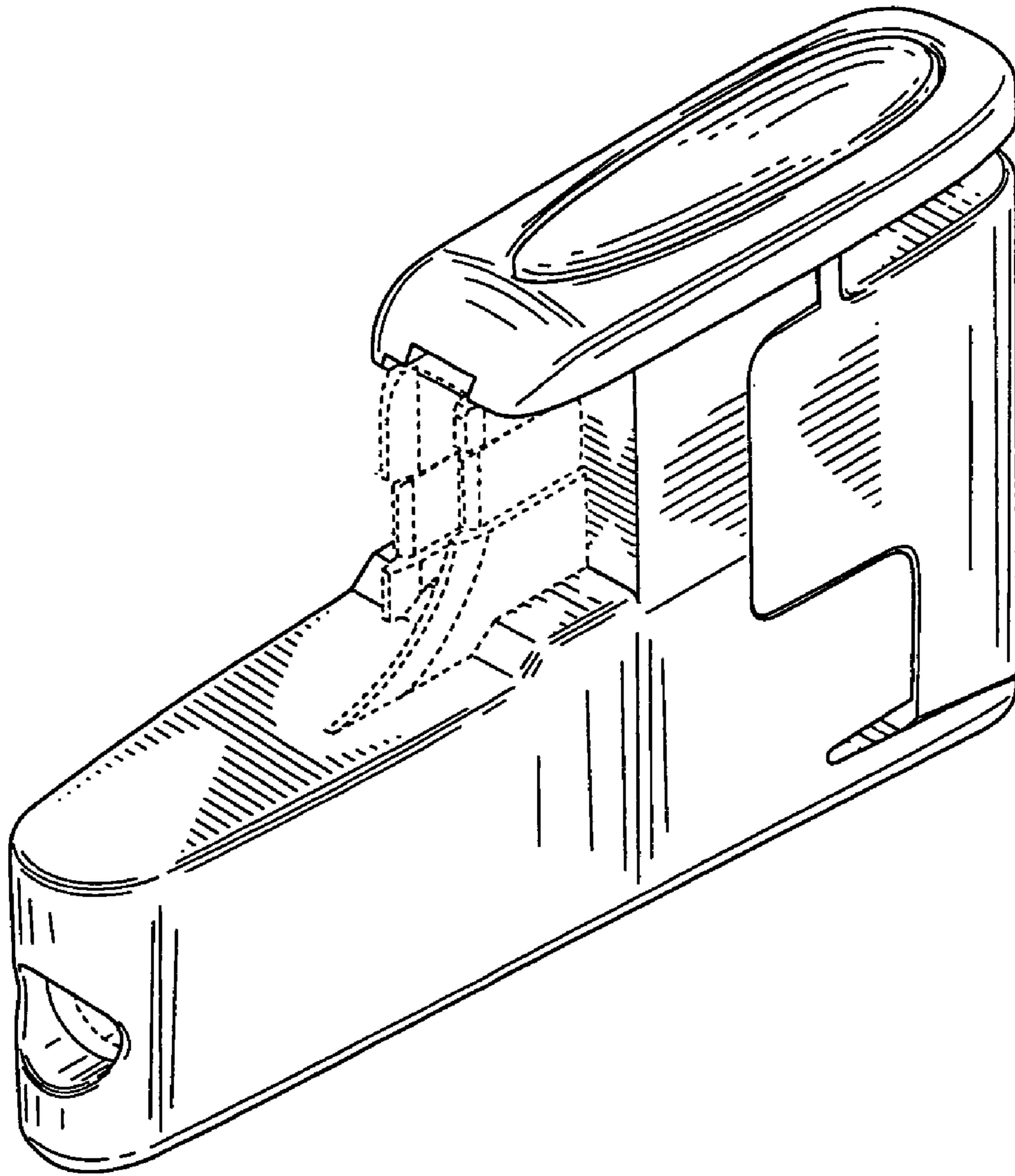


FIG. 29

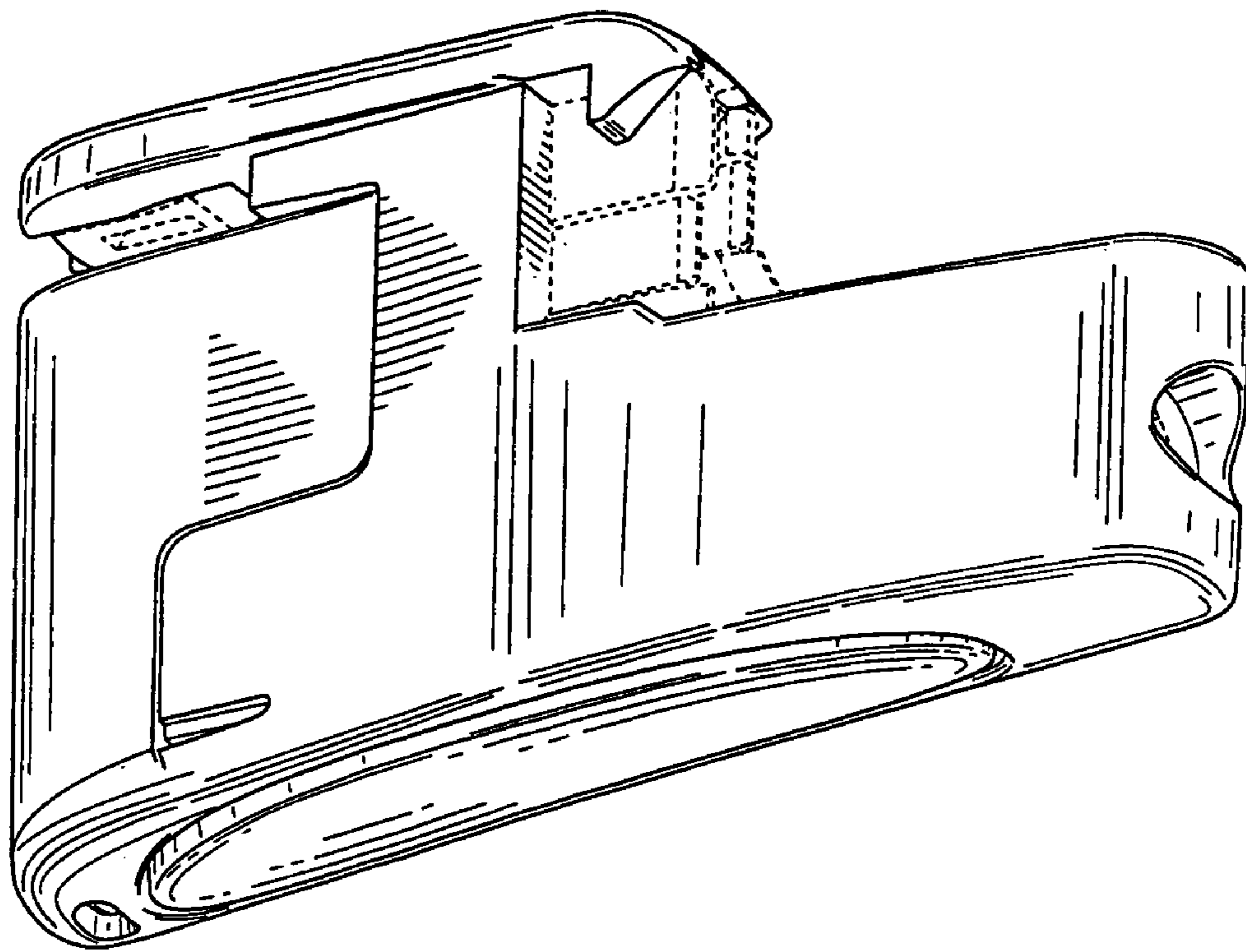


FIG. 30

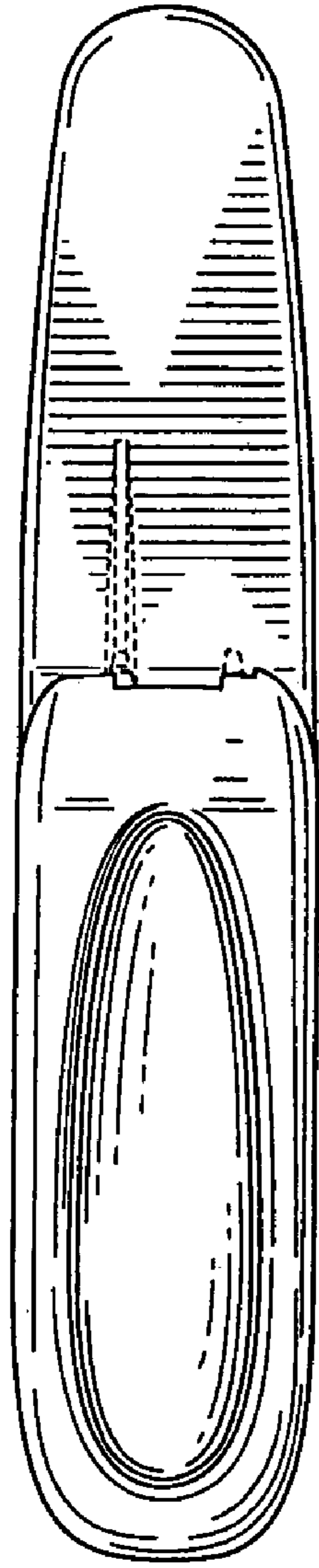


FIG. 31

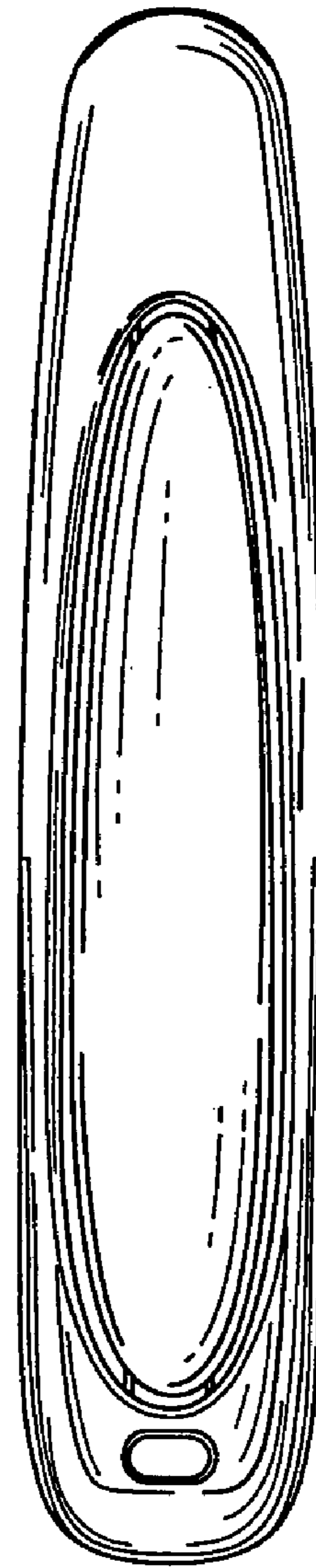


FIG. 32

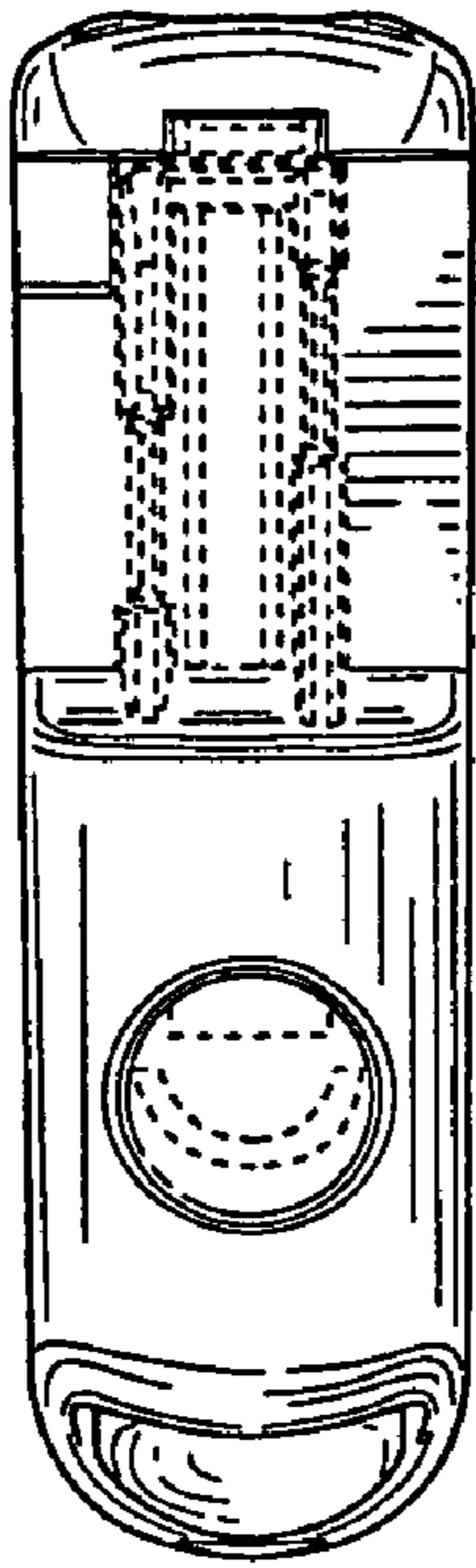


FIG. 33

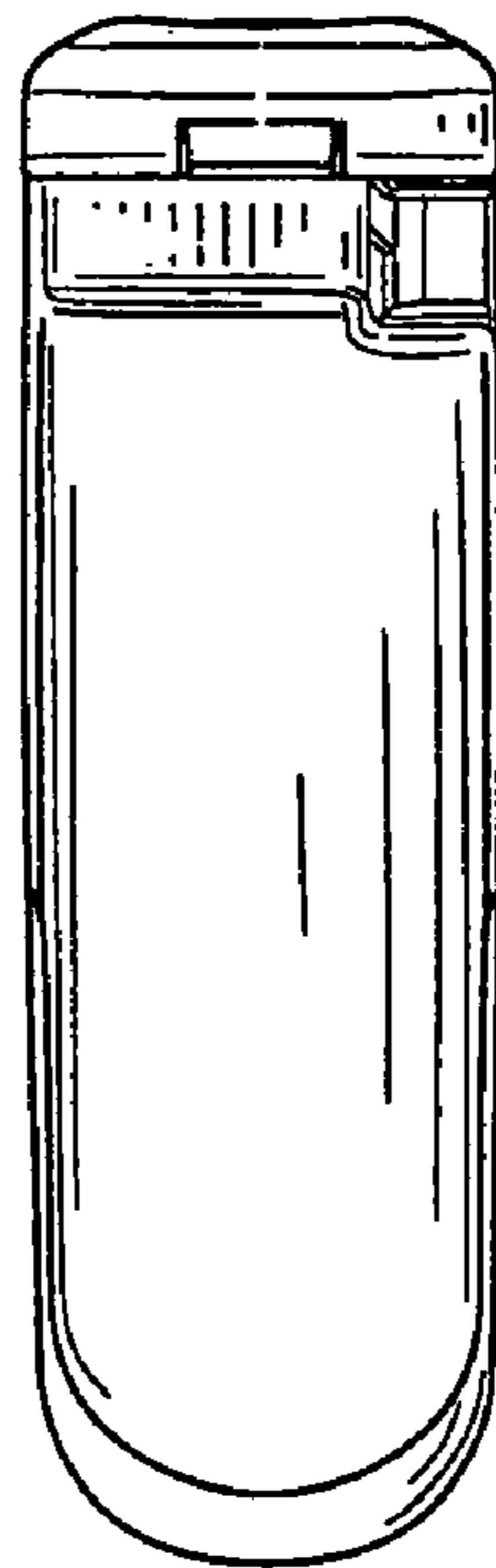


FIG. 34

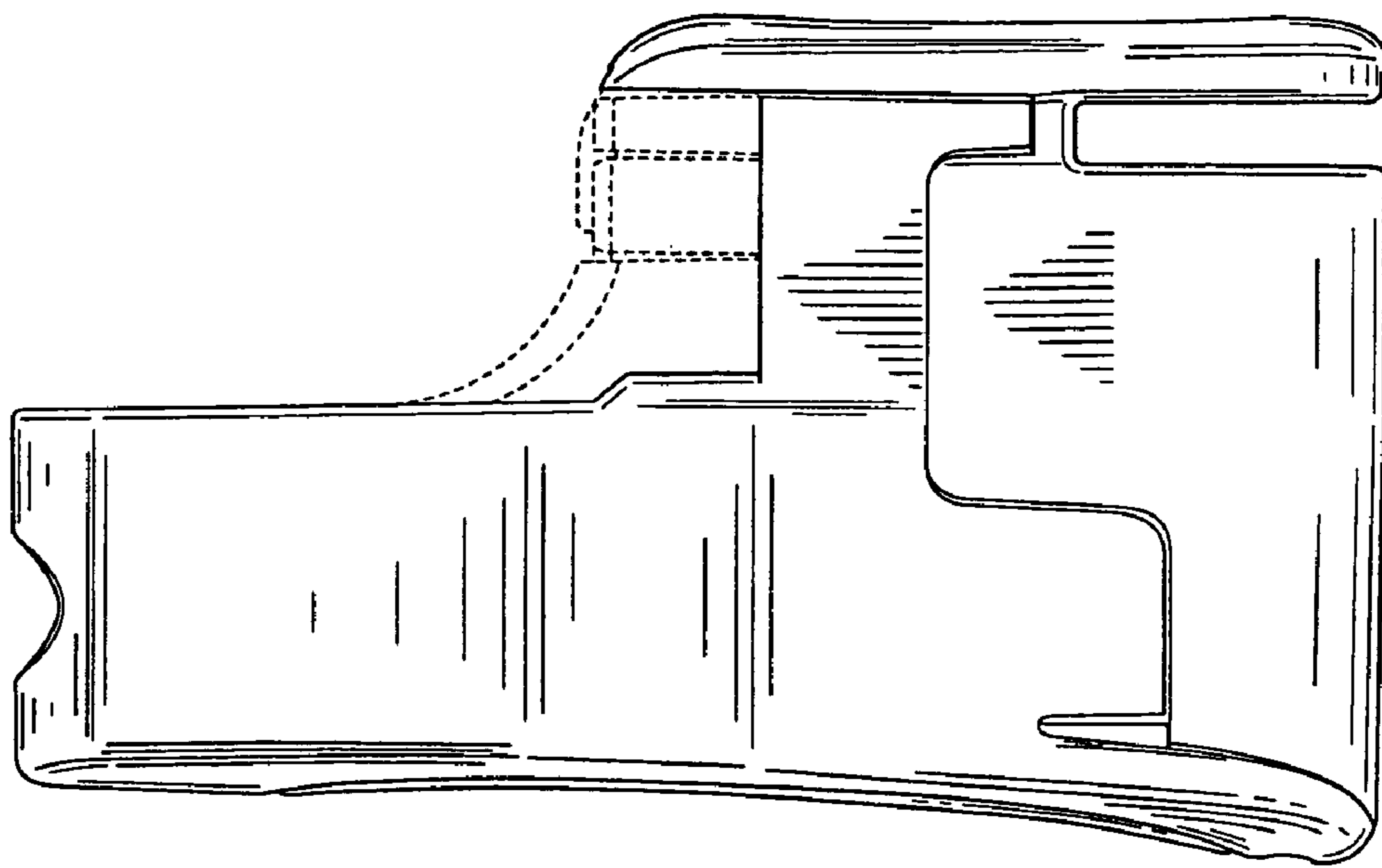


FIG. 35

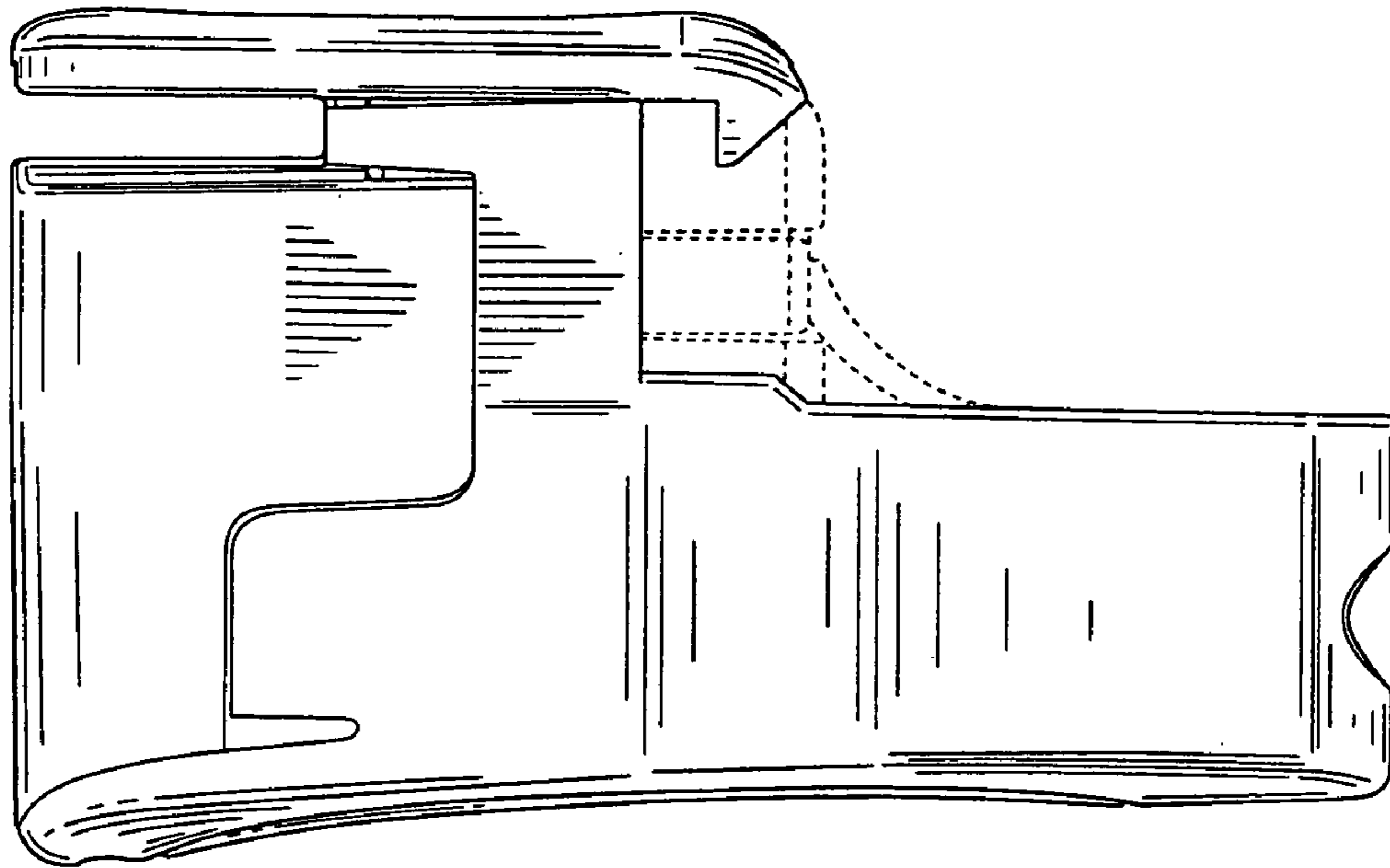


FIG. 36