



US00D588996S

(12) **United States Design Patent**  
**Grimm**

(10) **Patent No.:** **US D588,996 S**  
(45) **Date of Patent:** **\*\* Mar. 24, 2009**

(54) **ELECTRICAL CONNECTOR**

2004/0242046 A1\* 12/2004 Ohtsuki et al. .... 439/329

(75) Inventor: **Mathias Grimm**, Altach (AT)

\* cited by examiner

(73) Assignee: **Julius Blum GmbH**, Höchst (AT)

*Primary Examiner*—Daniel D Bui

*Assistant Examiner*—Thomas J Johannes

(\*\*) Term: **14 Years**

(74) *Attorney, Agent, or Firm*—Wenderoth, Lind & Ponack, L.L.P.

(21) Appl. No.: **29/290,562**

(22) Filed: **Dec. 18, 2007**

(57) **CLAIM**

The ornamental design for an electrical connector, as shown and described.

(30) **Foreign Application Priority Data**

Jul. 13, 2007 (EM) ..... 000757281-0002

**DESCRIPTION**

(51) **LOC (9) Cl.** ..... **13-03**

FIG. 1 is a front view of an electrical connector showing my new design;

(52) **U.S. Cl.** ..... **D13/149**

FIG. 2 is a bottom view thereof;

(58) **Field of Classification Search** ..... D13/133,

FIG. 3 is a back view thereof;

D13/146, 147, 149, 184, 199; 439/68, 73,  
439/135, 260, 329, 331, 492, 495, 526, 570,  
439/862

FIG. 4 is a left side view thereof;

See application file for complete search history.

FIG. 5 is a right side view thereof;

(56) **References Cited**

FIG. 6 is a top view thereof; and,

**U.S. PATENT DOCUMENTS**

FIG. 7 is a perspective view thereof.

D191,871 S \* 12/1961 Maecker ..... D13/110  
D405,417 S \* 2/1999 Matthews ..... D13/147  
D424,924 S \* 5/2000 Ackerman ..... D8/396  
D471,875 S \* 3/2003 Woelfle ..... D13/149  
D505,921 S \* 6/2005 Ma ..... D13/149

The broken lines shown in FIG. 2 are for the purpose of illustrating portions of the electrical connector and form no part of the claimed design.

**1 Claim, 7 Drawing Sheets**

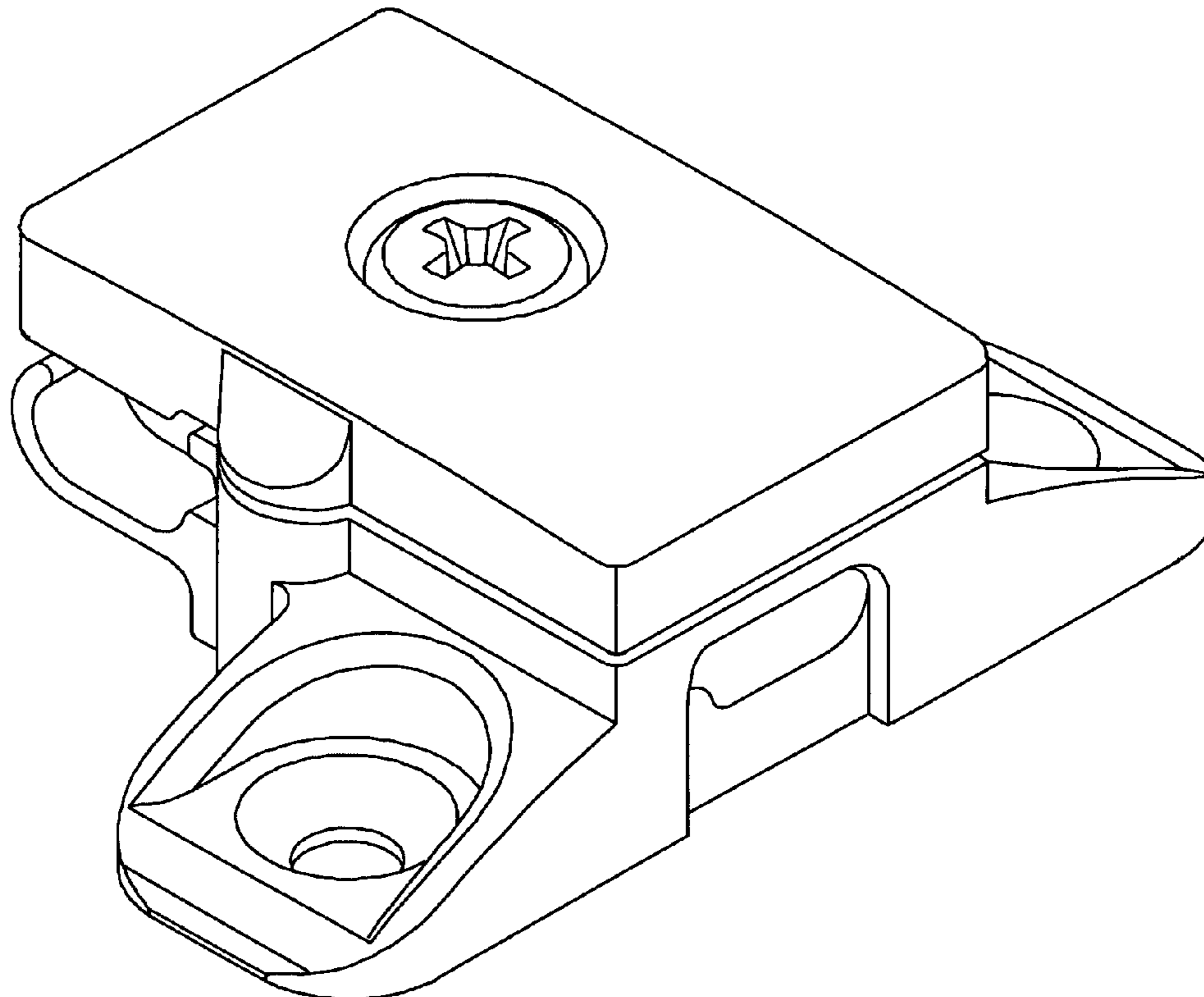


Fig. 1

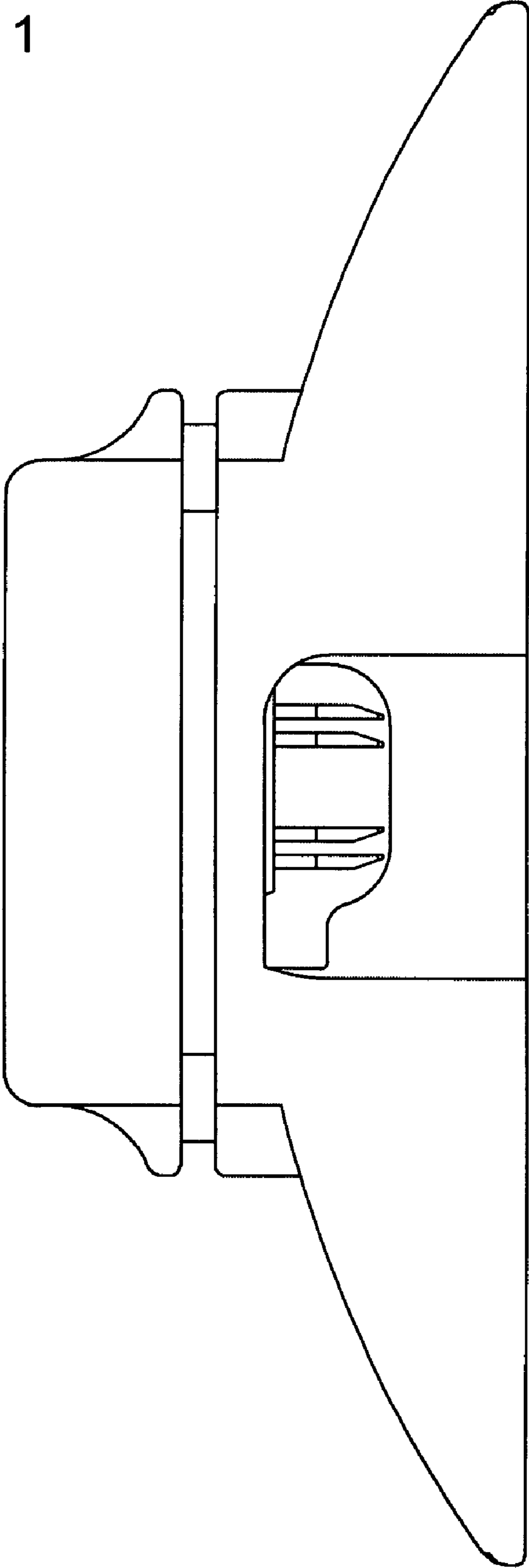


Fig. 2

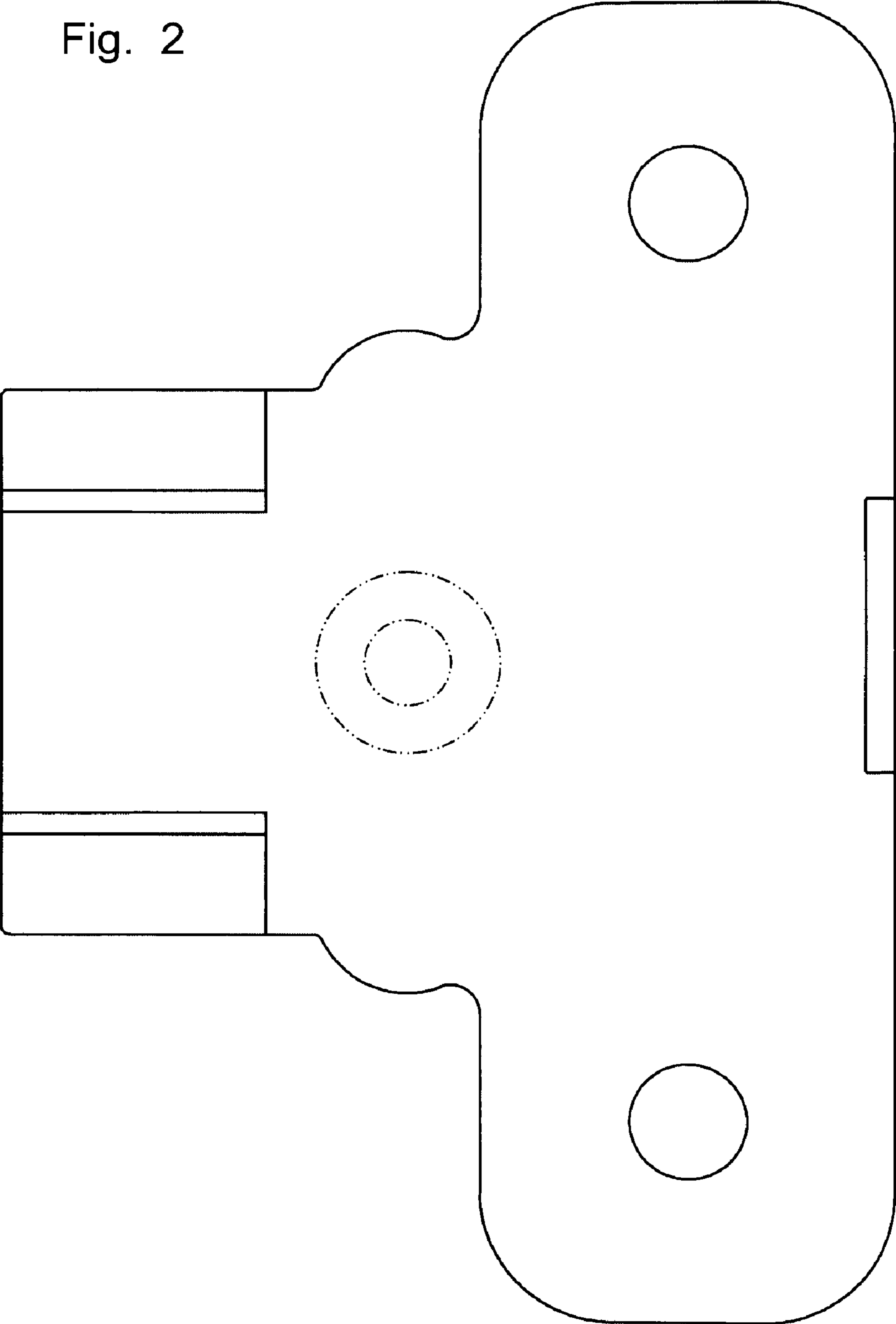


Fig. 3

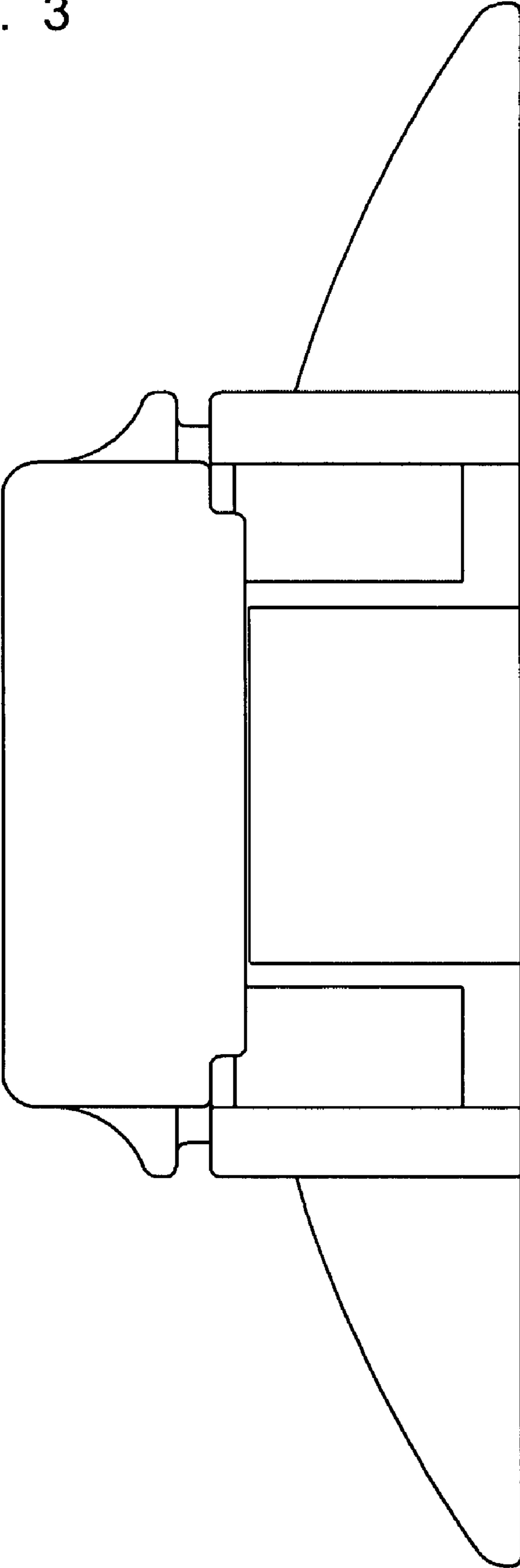


Fig. 4

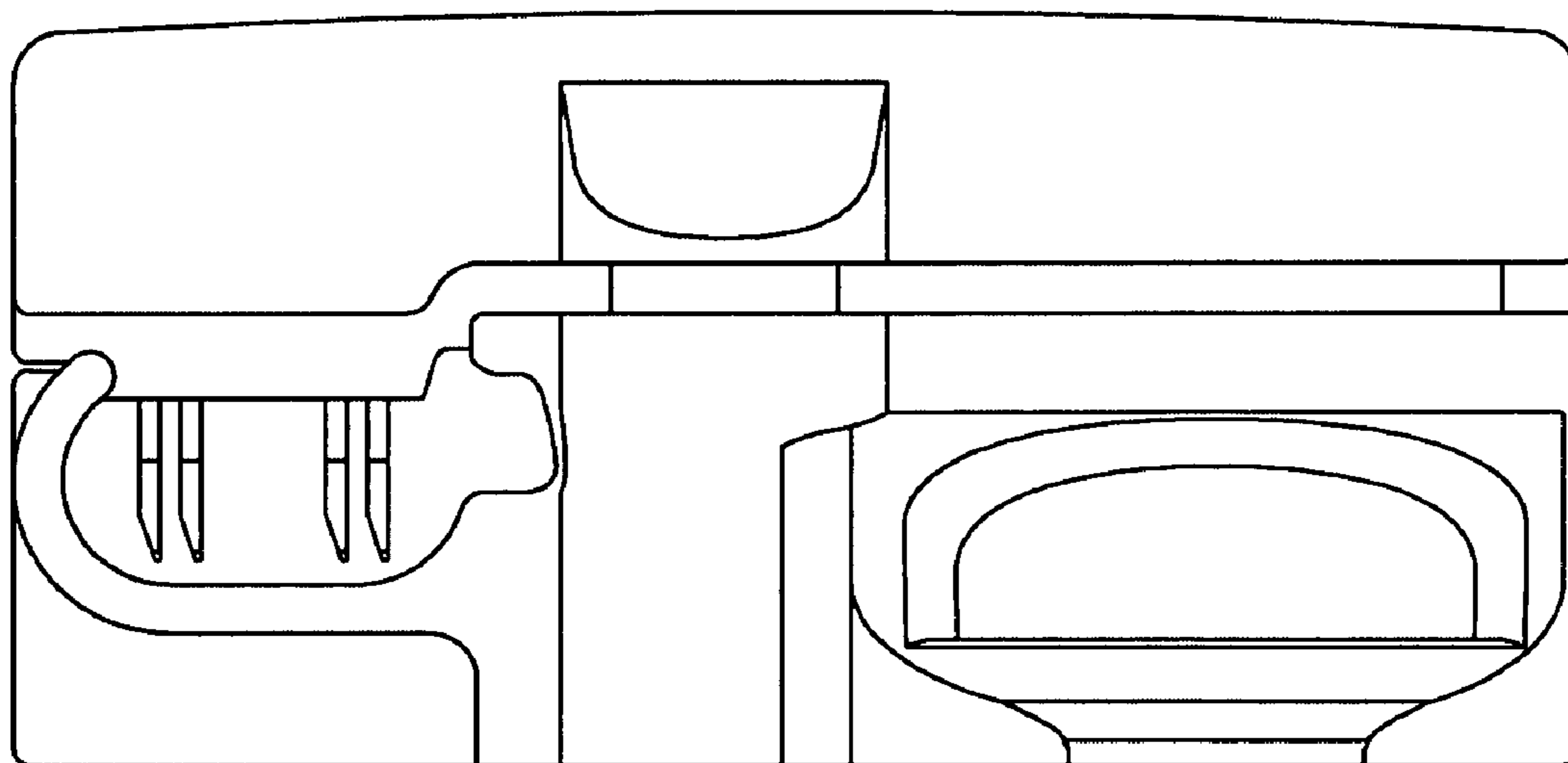


Fig. 5

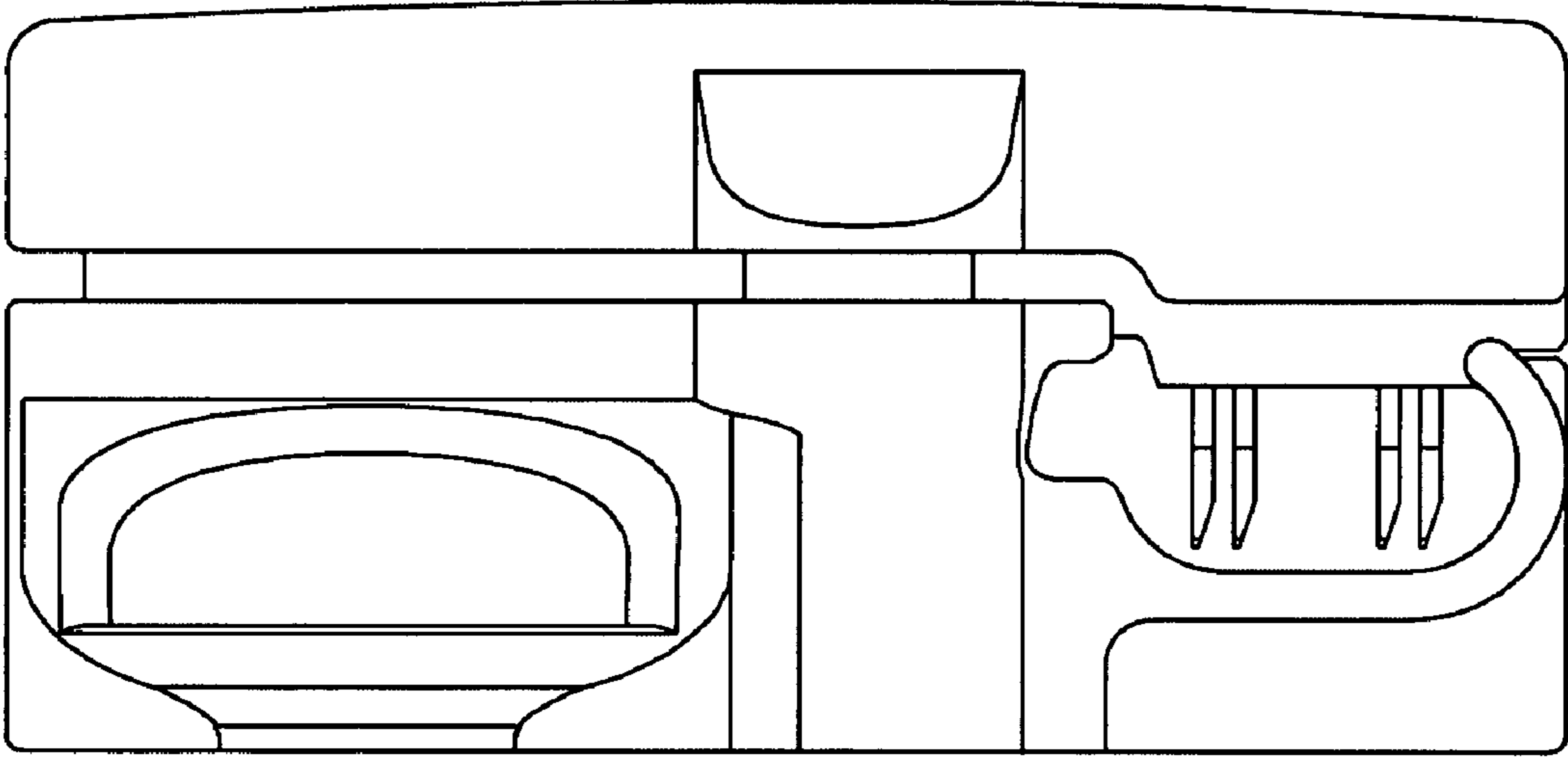


Fig. 6

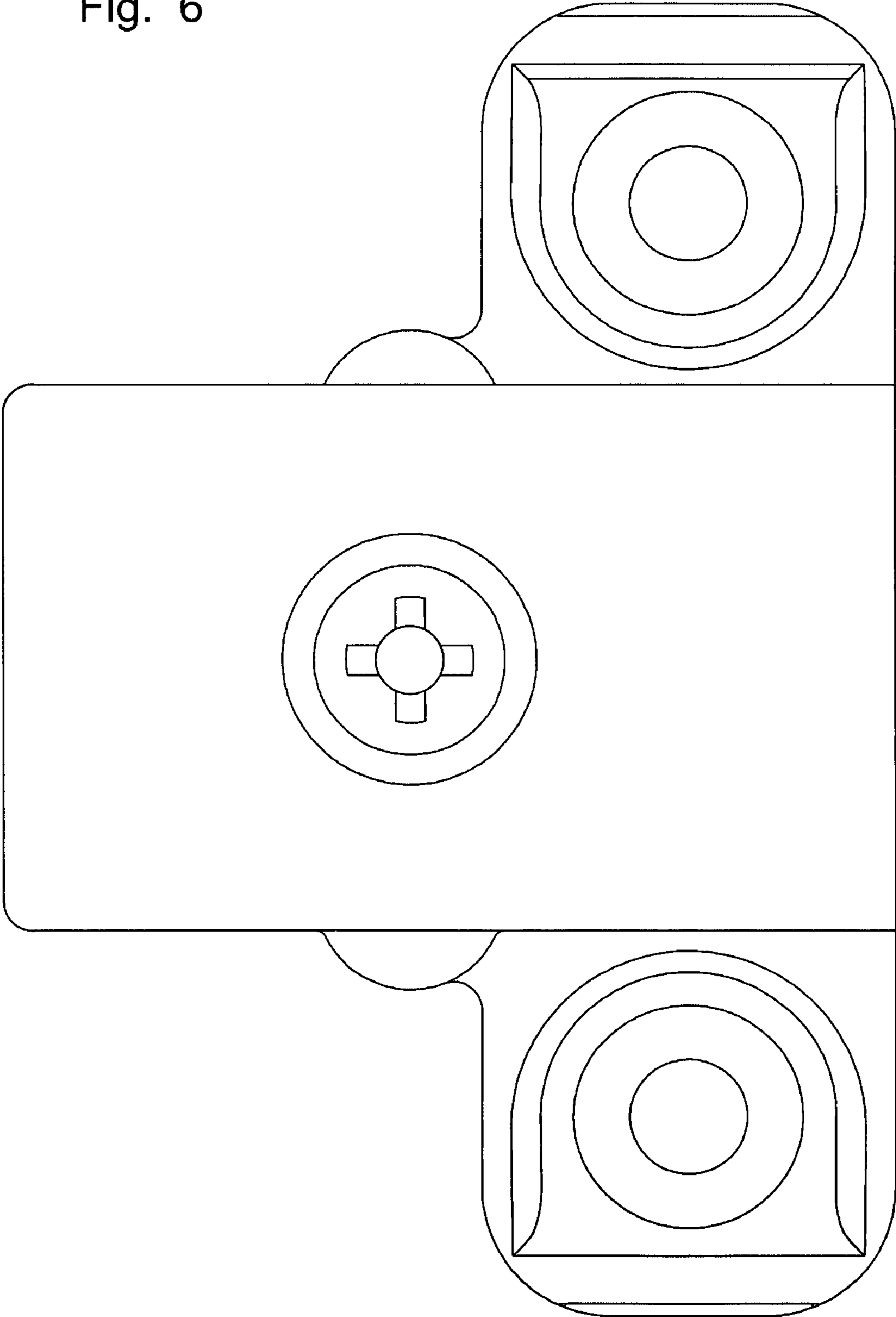


Fig. 7

