



US00D588993S

(12) **United States Design Patent**
Huang

(10) **Patent No.:** **US D588,993 S**

(45) **Date of Patent:** **** Mar. 24, 2009**

(54) **NETWORK CONNECTOR**

D486,794 S * 2/2004 Okamoto D13/147

(76) Inventor: **Kui-Hsien Huang**, 10F-1, No. 452, Sec. 5, Cheng Kung Rd., Neihu District, Taipei City (TW)

* cited by examiner

Primary Examiner—Daniel D Bui

(74) *Attorney, Agent, or Firm*—Leong C. Lei

(**) Term: **14 Years**

(57) **CLAIM**

(21) Appl. No.: **29/295,741**

The ornamental design for a network connector, as shown and described.

(22) Filed: **Oct. 5, 2007**

DESCRIPTION

(51) **LOC (9) Cl.** **13-03**

FIG. 1 is a perspective view of a network connector showing my new design;

(52) **U.S. Cl.** **D13/147**

FIG. 2 is a top plan view thereof;

(58) **Field of Classification Search** D13/133,
D13/146–147, 154, 184; 439/352, 359, 362,
439/607–610, 677, 680–681

FIG. 3 is a bottom plan view thereof;

See application file for complete search history.

FIG. 4 is a left side elevational view thereof;

FIG. 5 is a right side elevational view thereof;

(56) **References Cited**

U.S. PATENT DOCUMENTS

FIG. 6 is a rear elevational view thereof; and,

FIG. 7 is a front elevational view thereof.

D378,209 S * 2/1997 Morikawa et al. D13/147

The broken line portion of the figure drawings is included to show unclaimed subject matter only and forms no part of the claimed design.

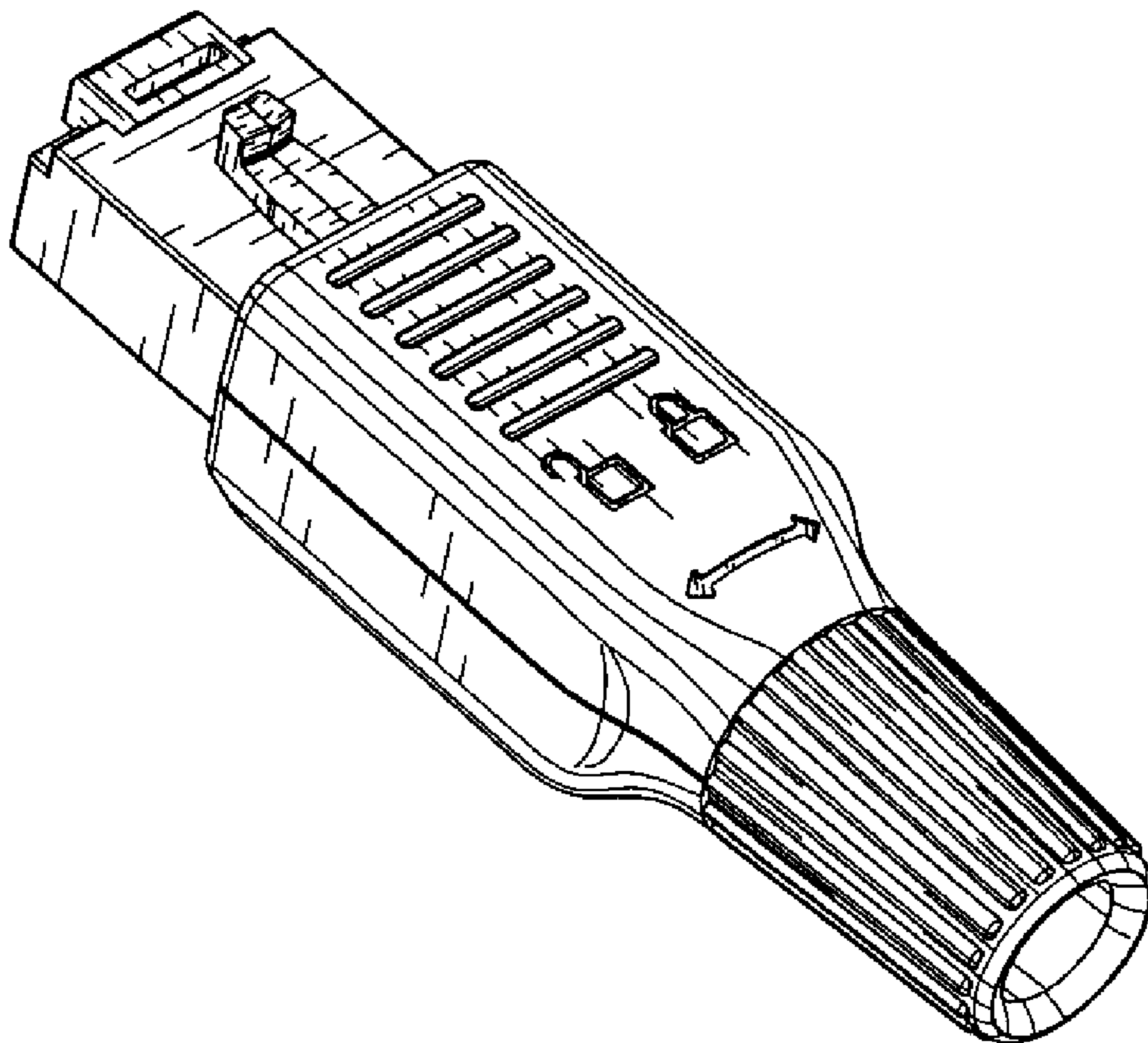
D429,484 S * 8/2000 Nishio et al. D13/147

D432,500 S * 10/2000 Nishio et al. D13/147

D434,381 S * 11/2000 Shimojyo D13/147

D452,217 S * 12/2001 Shimojyo D13/147

1 Claim, 7 Drawing Sheets



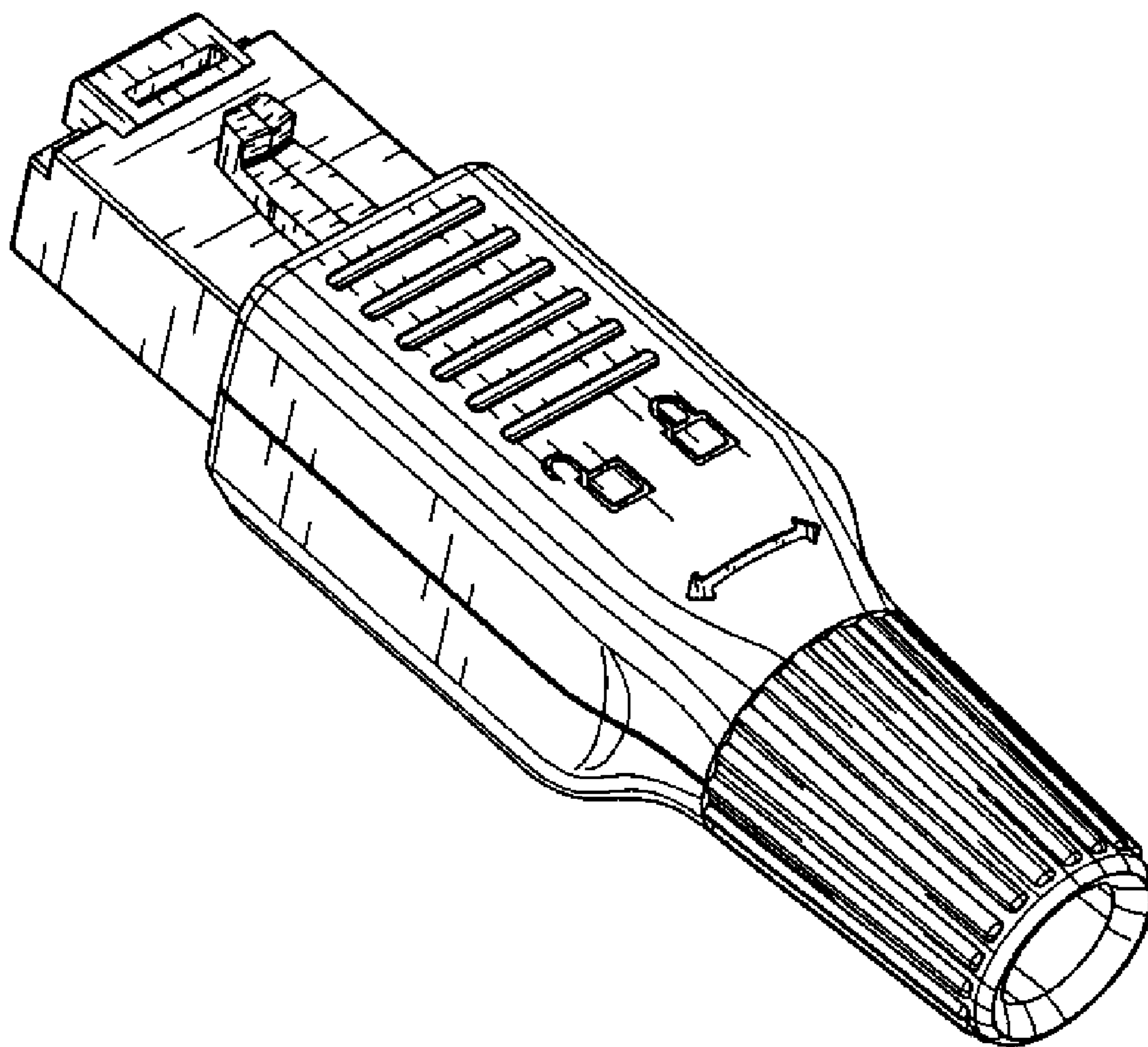


FIG. 1

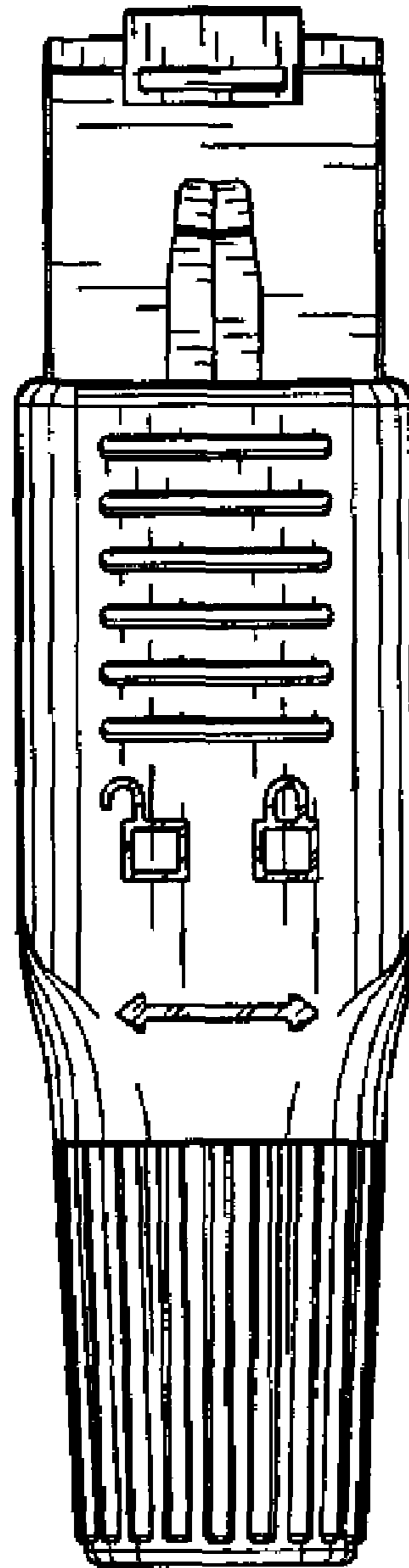


FIG. 2

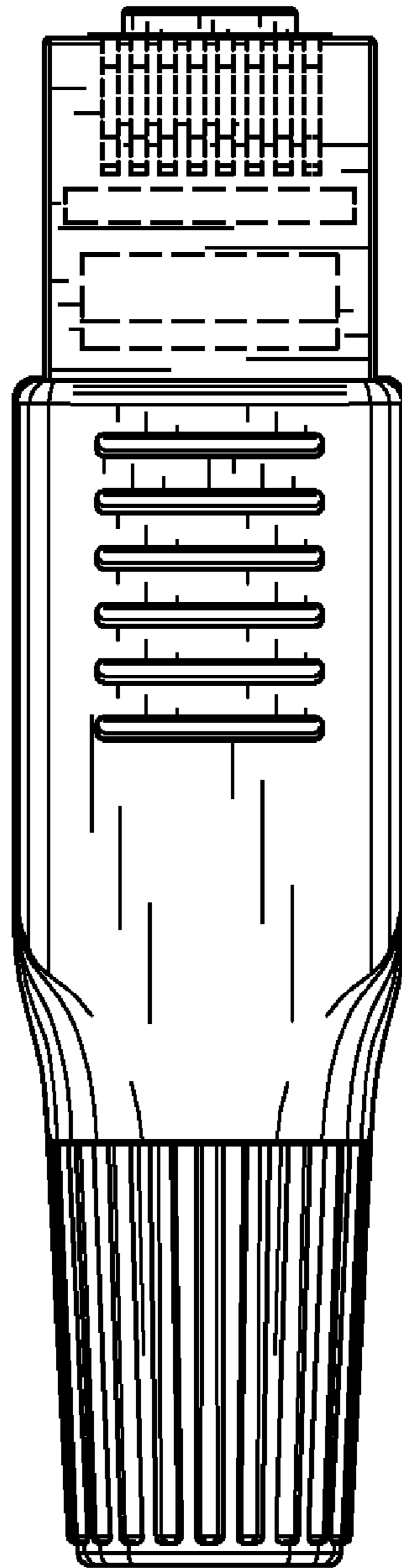


FIG. 3

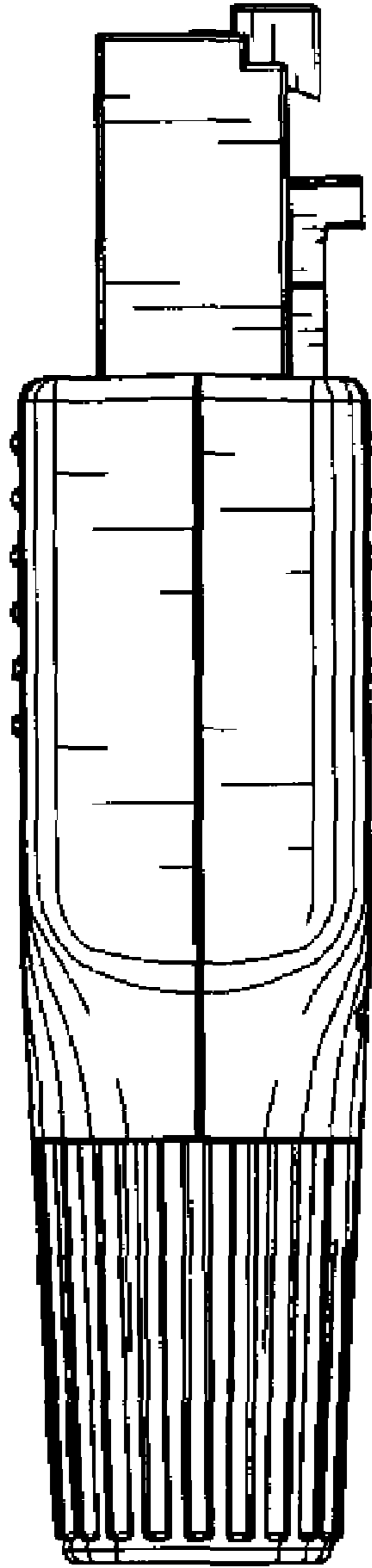


FIG. 4

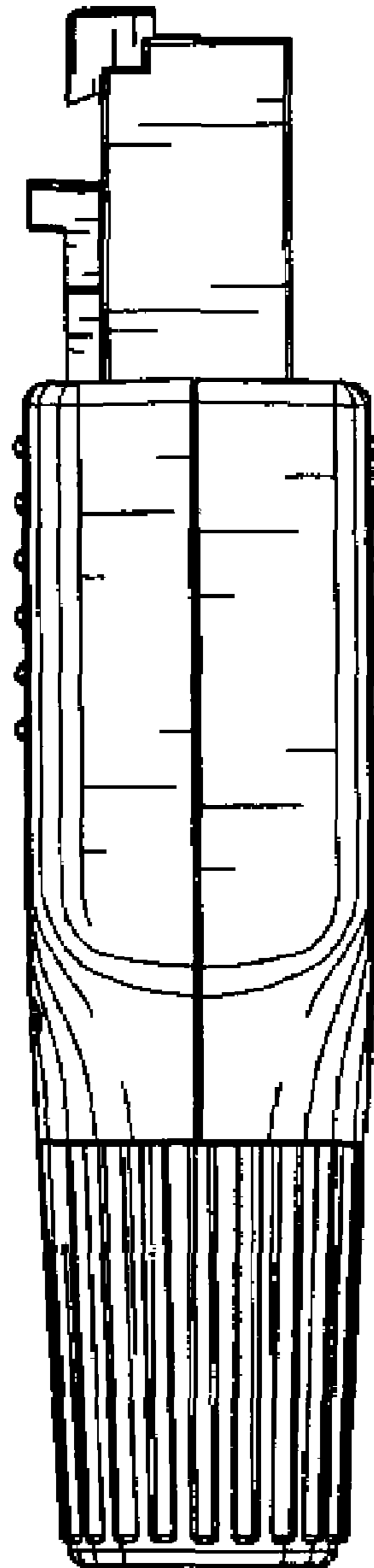


FIG. 5

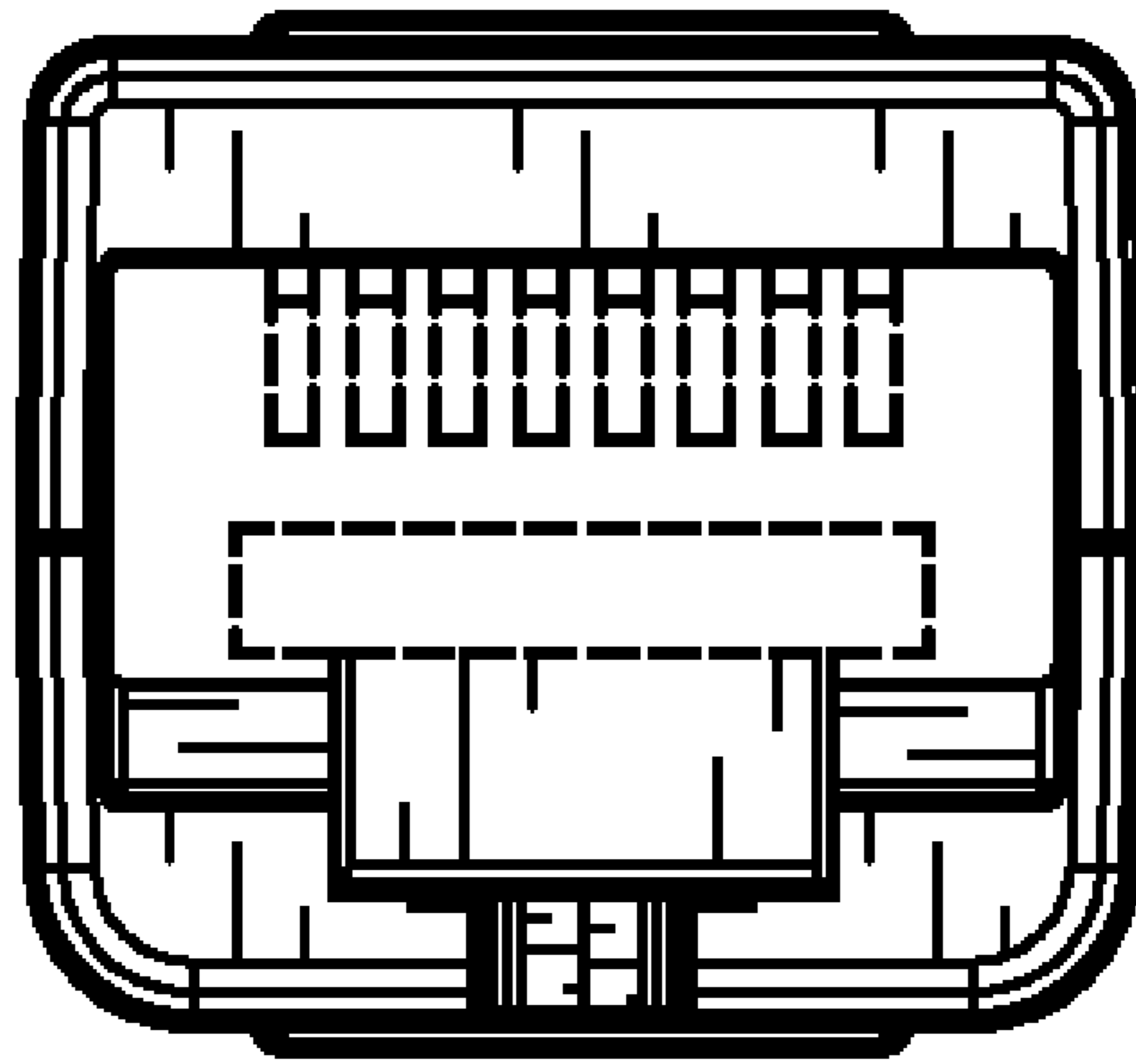


FIG. 6

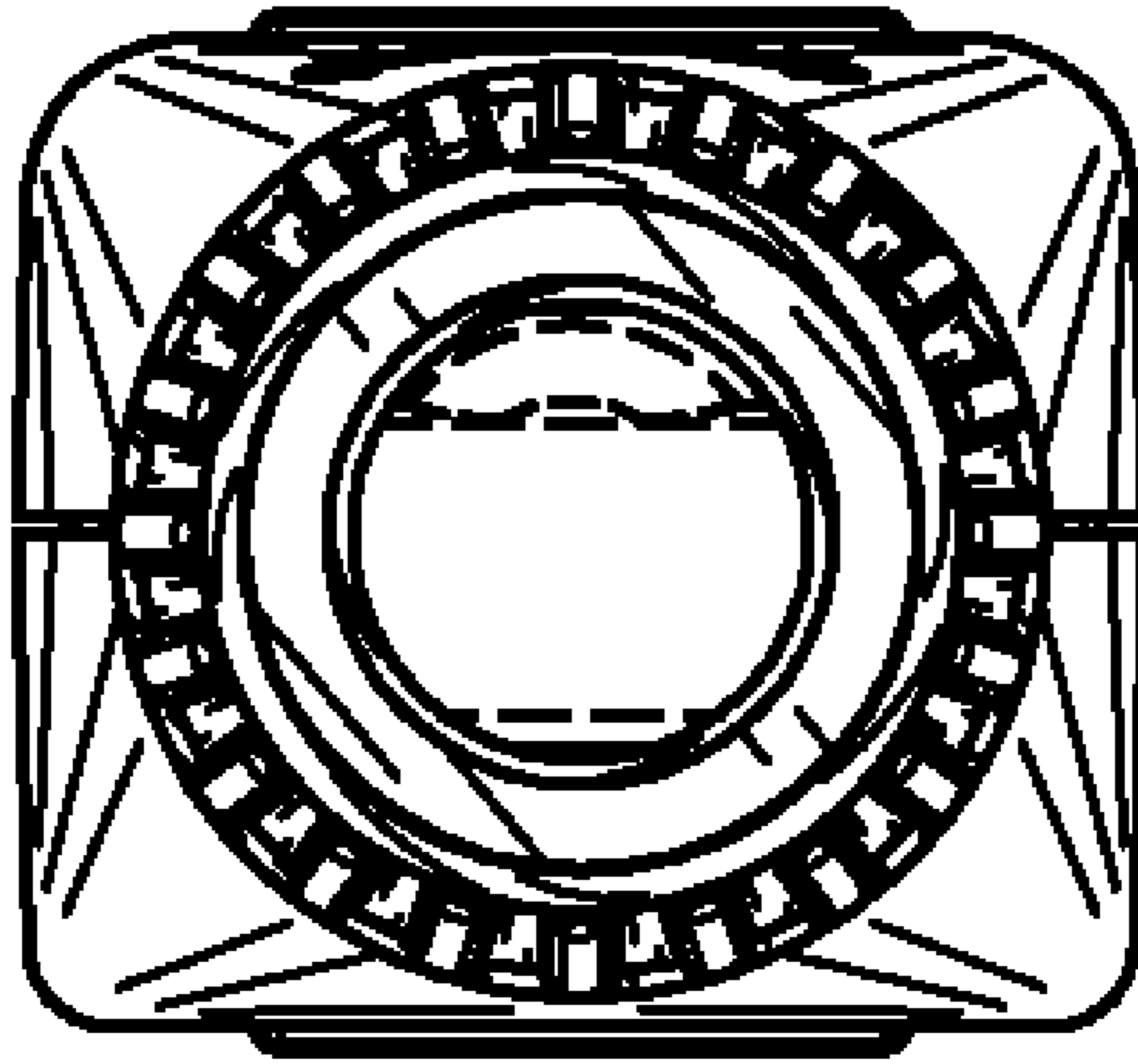


FIG. 7