

US00D588990S

(12) **United States Design Patent**  
**Kok et al.**

(10) **Patent No.:** **US D588,990 S**

(45) **Date of Patent:** **\*\* \*Mar. 24, 2009**

(54) **PROJECTOR LAMP CONNECTOR**

(75) Inventors: **Beng Onn Kok**, Jurong Town (SG); **Han Guan Johnson Tan**, Singapore (SG)

(73) Assignee: **Molex Incorporated**, Lisle, IL (US)

(\*) Notice: This patent is subject to a terminal disclaimer.

(\*\*) Term: **14 Years**

(21) Appl. No.: **29/292,748**

(22) Filed: **Oct. 26, 2007**

(30) **Foreign Application Priority Data**

May 10, 2007 (SG) ..... D2007/529/A

(51) **LOC (9) Cl.** ..... **13-03**

(52) **U.S. Cl.** ..... **D13/133**

(58) **Field of Classification Search** ..... D13/133,  
D13/146, 149, 154, 184, 199; 439/248, 357,  
439/680, 723

See application file for complete search history.

(56) **References Cited**

**U.S. PATENT DOCUMENTS**

- D296,207 S \* 6/1988 Futatsugi et al. .... D13/134
- D474,447 S \* 5/2003 Kano ..... D13/133
- D475,014 S \* 5/2003 Kano ..... D13/133
- D527,345 S \* 8/2006 Zhang ..... D13/133

- D531,120 S \* 10/2006 Tamura ..... D13/133
- D537,781 S \* 3/2007 Tamura ..... D13/133
- D544,838 S \* 6/2007 Ciancanelli et al. .... D13/134
- D549,649 S \* 8/2007 Ciancanelli et al. .... D13/136
- D552,034 S \* 10/2007 Hobson et al. .... D13/133
- D561,101 S \* 2/2008 Sakamoto ..... D13/133
- D564,963 S \* 3/2008 Sakamoto ..... D13/133

\* cited by examiner

*Primary Examiner*—Daniel D Bui

(74) *Attorney, Agent, or Firm*—Robert J. Zeitler

(57) **CLAIM**

The ornamental design for a projector lamp connector, as shown and described.

**DESCRIPTION**

FIG. 1 is a front, right side and bottom perspective view of a projector lamp connector, showing our new design;

FIG. 2 is a front elevation view thereof;

FIG. 3 is a rear elevation view thereof;

FIG. 4 is a right side elevation view thereof;

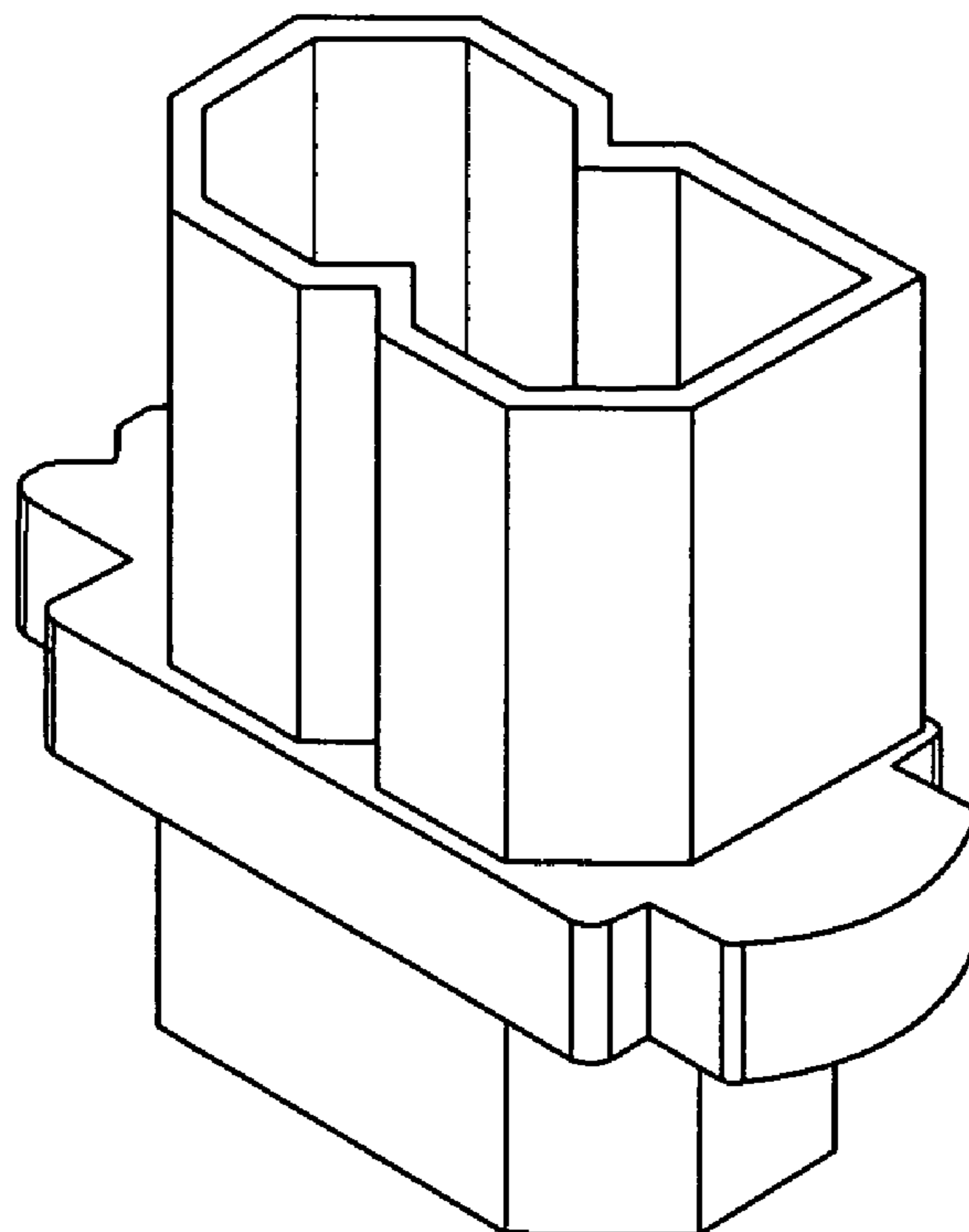
FIG. 5 is a left side elevation view thereof;

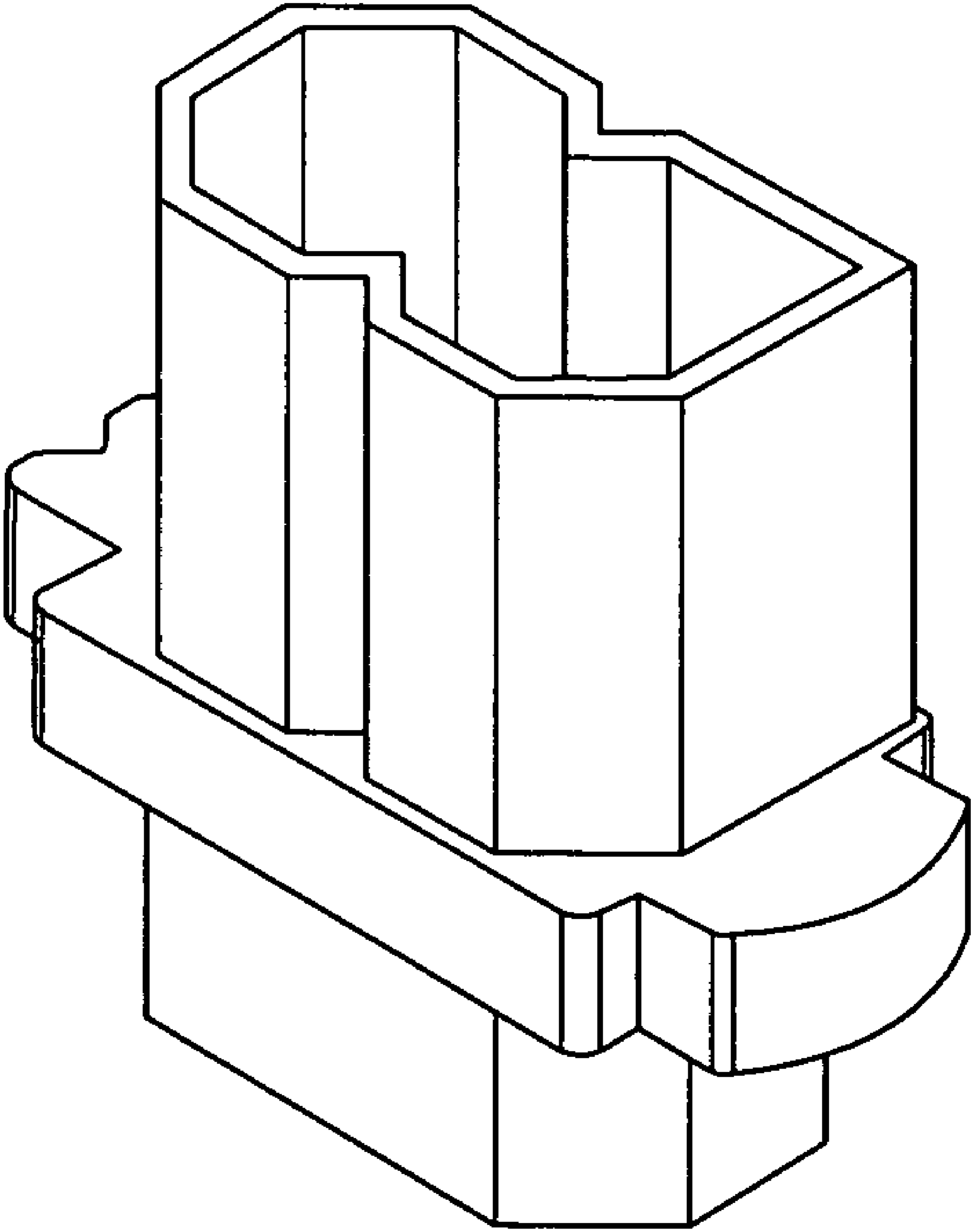
FIG. 6 is a top plan view thereof; and,

FIG. 7 is a bottom plan view thereof.

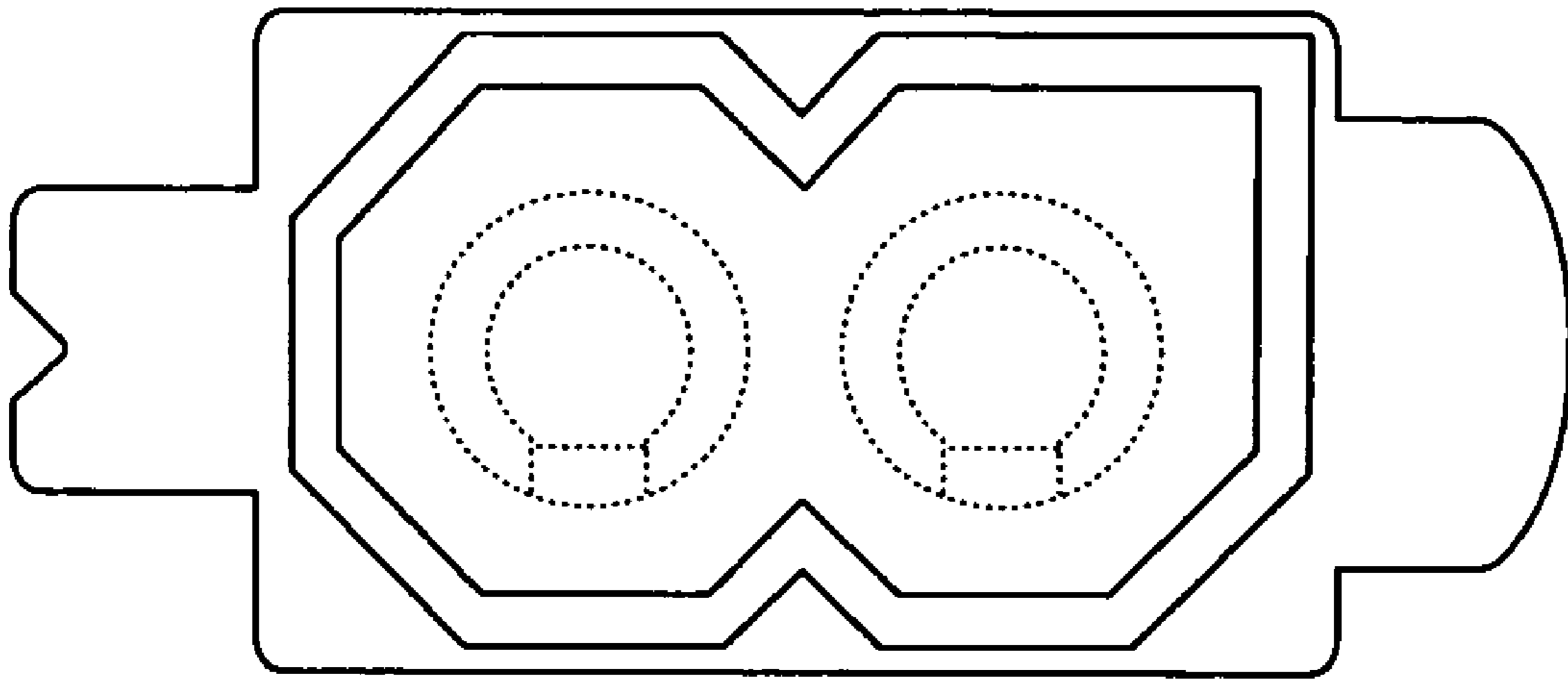
The broken line showing of the environment is for illustrative purposes only and forms no part of the claimed design.

**1 Claim, 6 Drawing Sheets**

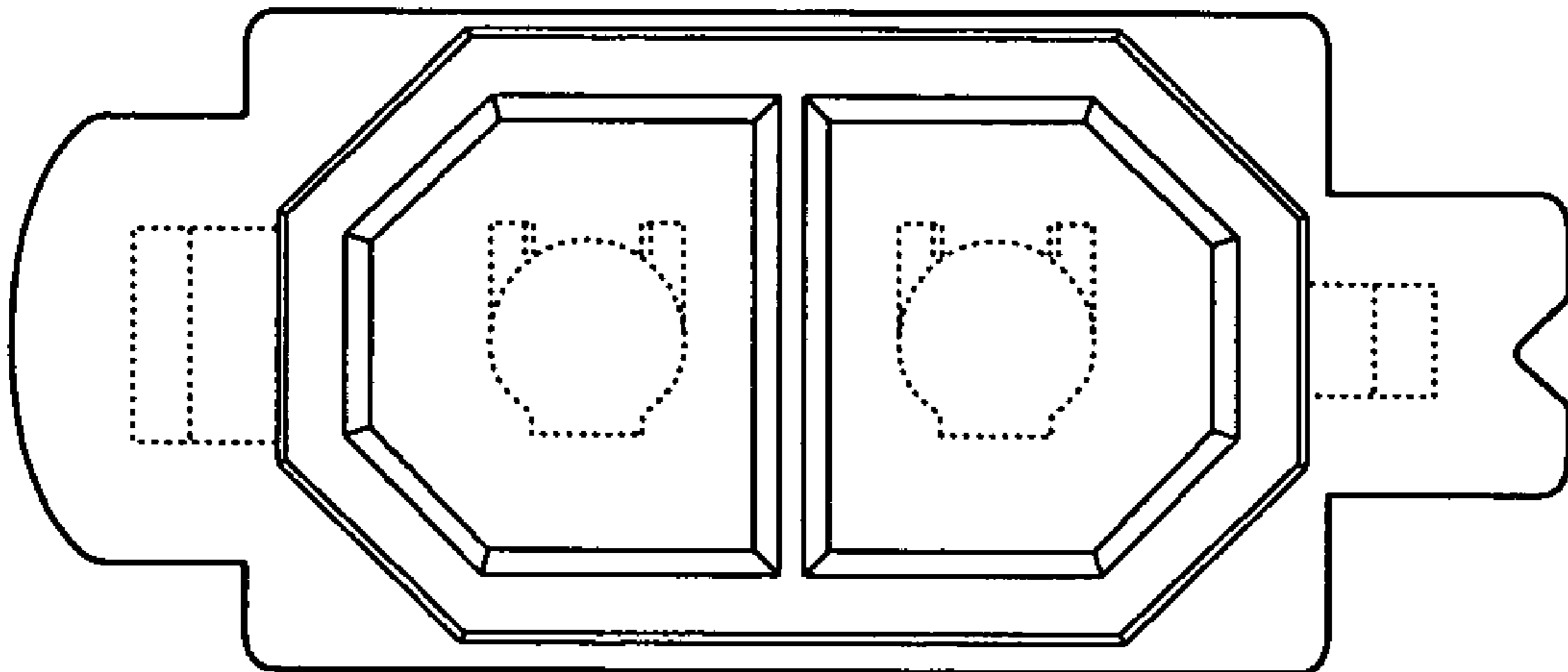




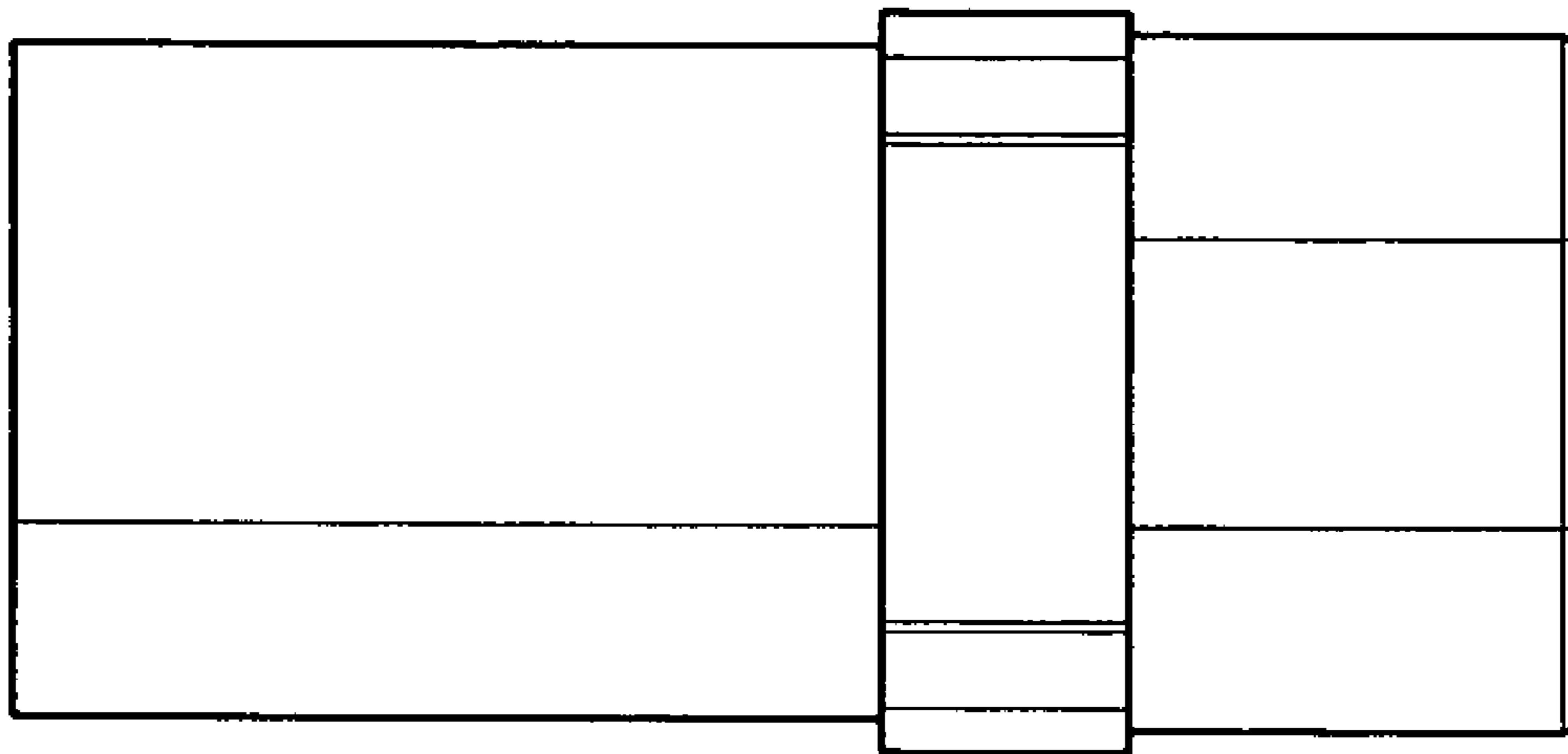
**FIG. 1**



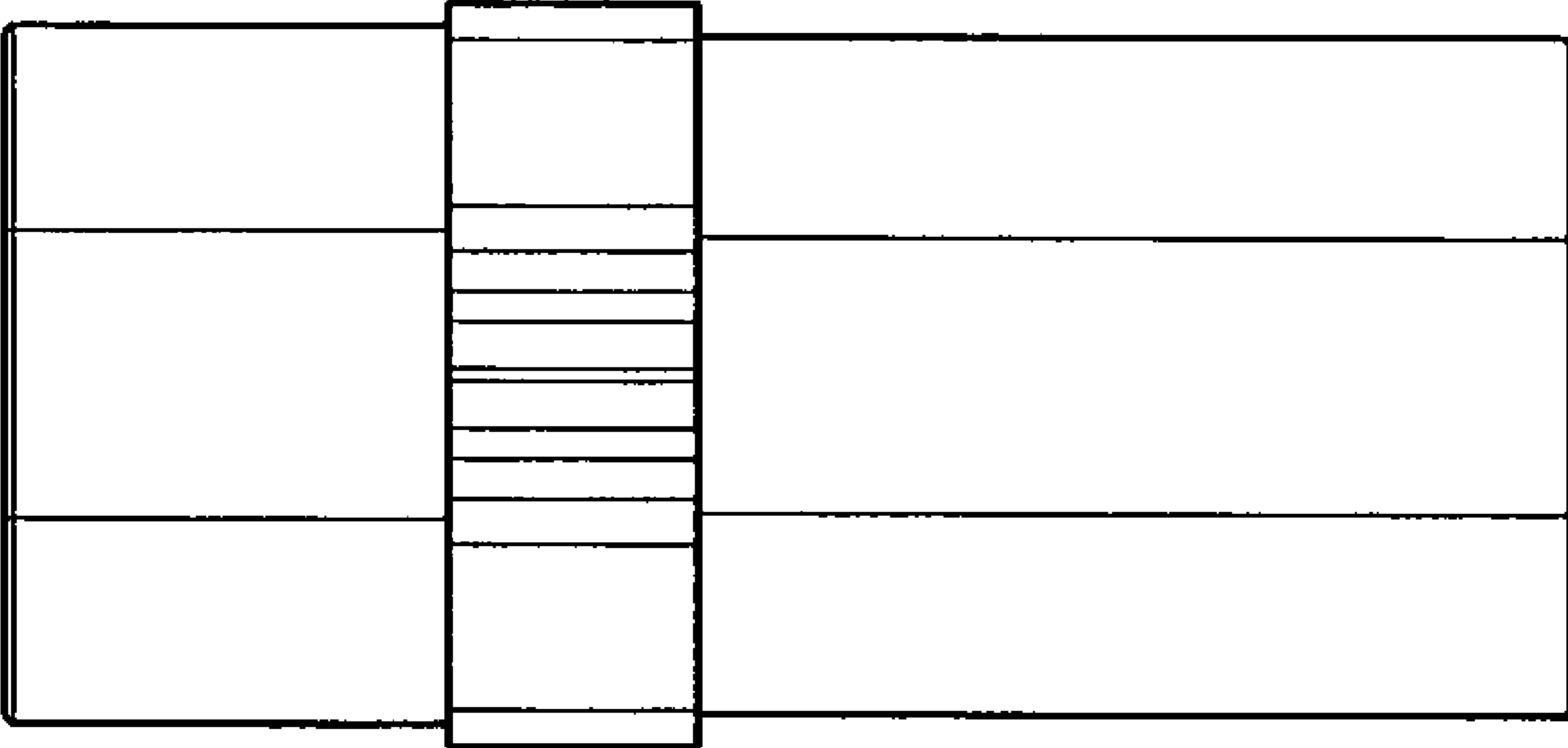
**FIG. 2**



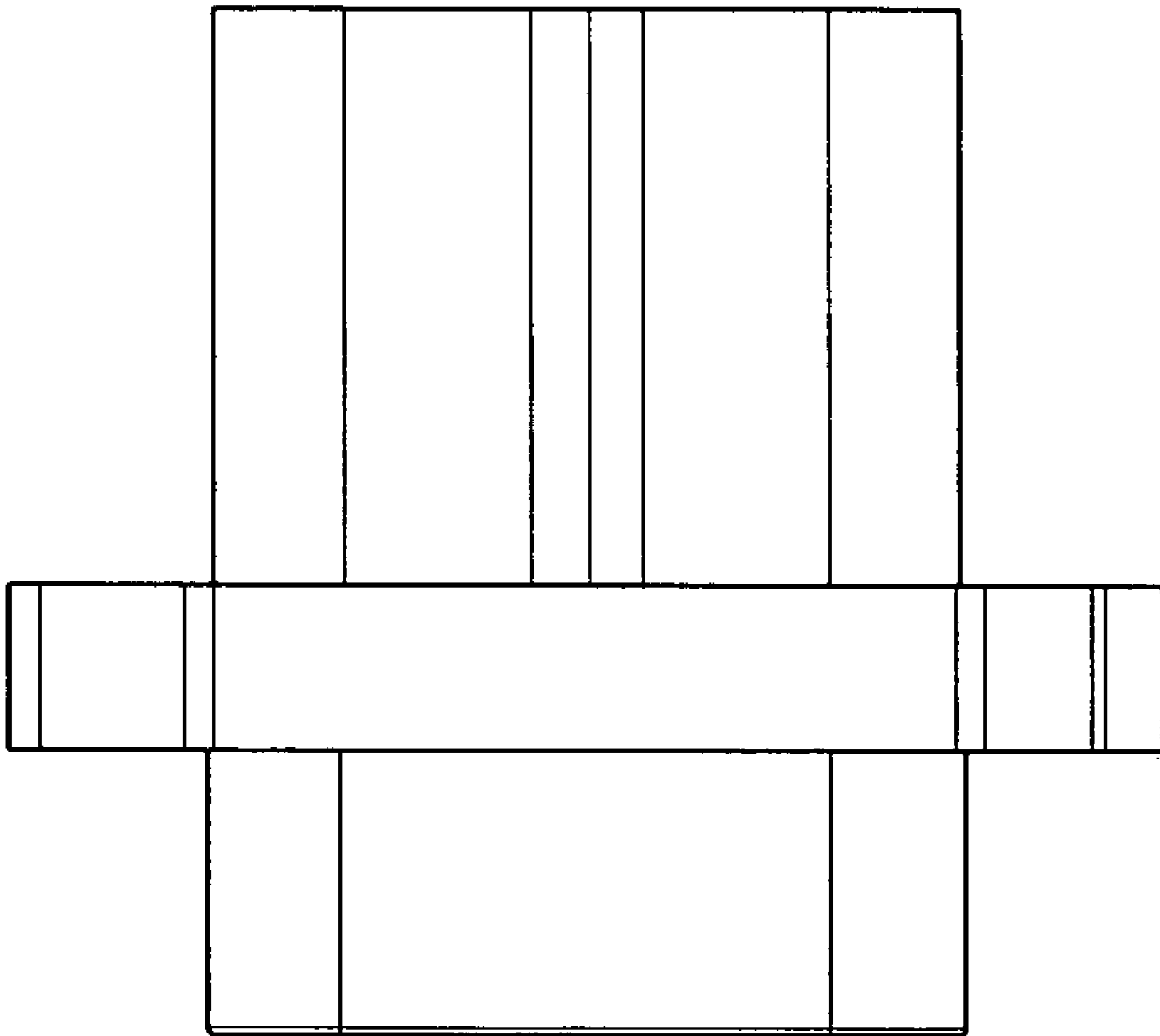
**FIG. 3**



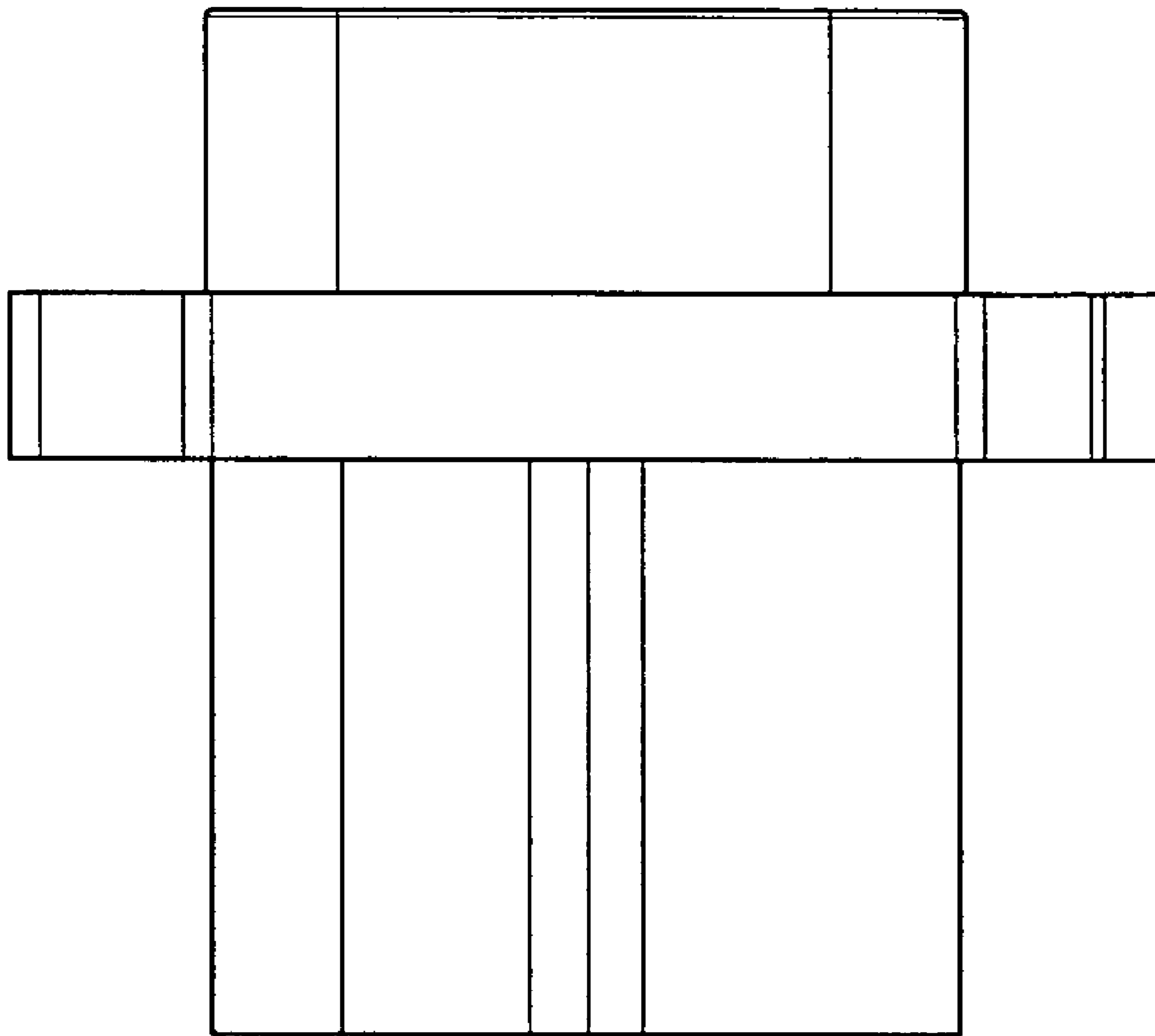
**FIG. 4**



**FIG. 5**



**FIG. 6**



**FIG. 7**