

US00D588989S

(12) **United States Design Patent**
Kok

(10) **Patent No.:** **US D588,989 S**

(45) **Date of Patent:** **** Mar. 24, 2009**

(54) **PROJECTOR LAMP CONNECTOR**

(75) Inventor: **Beng Onn Kok**, Jurong Town (SG)

(73) Assignee: **Molex Incorporated**, Lisle, IL (US)

(**) Term: **14 Years**

(21) Appl. No.: **29/272,967**

(22) Filed: **Feb. 22, 2007**

(30) **Foreign Application Priority Data**

Aug. 24, 2006 (SG) D2006/815/D

(51) **LOC (9) Cl.** **13-03**

(52) **U.S. Cl.** **D13/133**

(58) **Field of Classification Search** D13/133,
D13/146, 149, 154, 184, 199; 439/248, 357,
439/680, 723

See application file for complete search history.

(56) **References Cited**

U.S. PATENT DOCUMENTS

D296,207 S * 6/1988 Futatsugi et al. D13/134
D474,447 S * 5/2003 Kano D13/133
D475,014 S * 5/2003 Kano D13/133
D527,345 S * 8/2006 Zhang D13/133
D531,120 S * 10/2006 Tamura D13/133

D537,781 S * 3/2007 Tamura D13/133
D544,838 S * 6/2007 Ciancanelli et al. D13/134
D549,649 S * 8/2007 Ciancanelli et al. D13/136
D552,034 S * 10/2007 Hobson et al. D13/133
D561,101 S * 2/2008 Sakamoto D13/133
D564,963 S * 3/2008 Sakamoto D13/133

* cited by examiner

Primary Examiner—Daniel D Bui

(74) *Attorney, Agent, or Firm*—Robert J. Zeitler

(57) **CLAIM**

The ornamental design for a projector lamp connector, as shown and described.

DESCRIPTION

FIG. 1 is a front, right side and bottom perspective view of a projector lamp connector, showing my new design;

FIG. 2 is a front elevation view thereof;

FIG. 3 is a rear elevation view thereof;

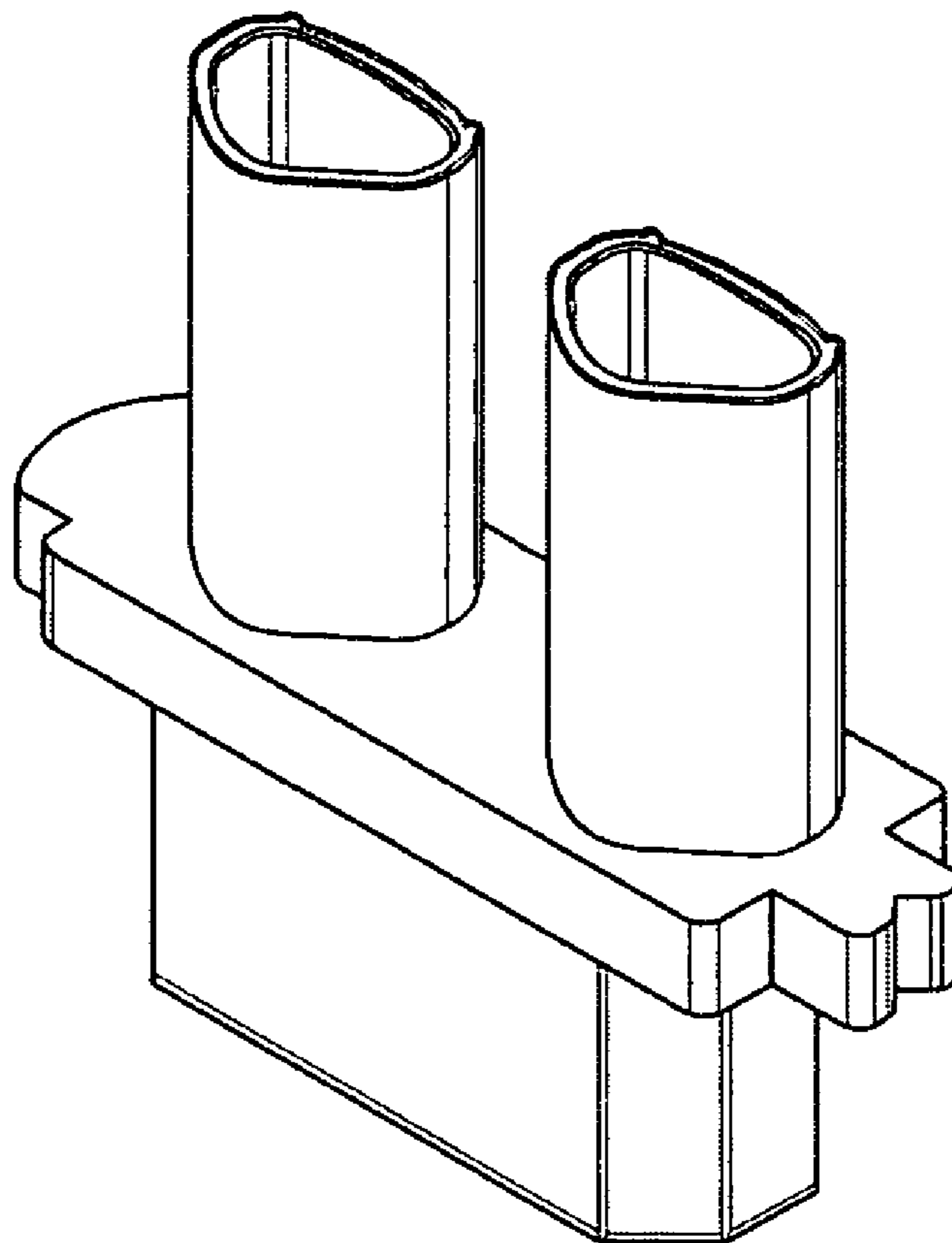
FIG. 4 is a right side elevation view thereof;

FIG. 5 is a left side elevation view thereof; and,

FIG. 6 is a bottom plan view thereof.

The broken line showing of the environment is for illustrative purposes only and forms no part of the claimed design.

1 Claim, 2 Drawing Sheets



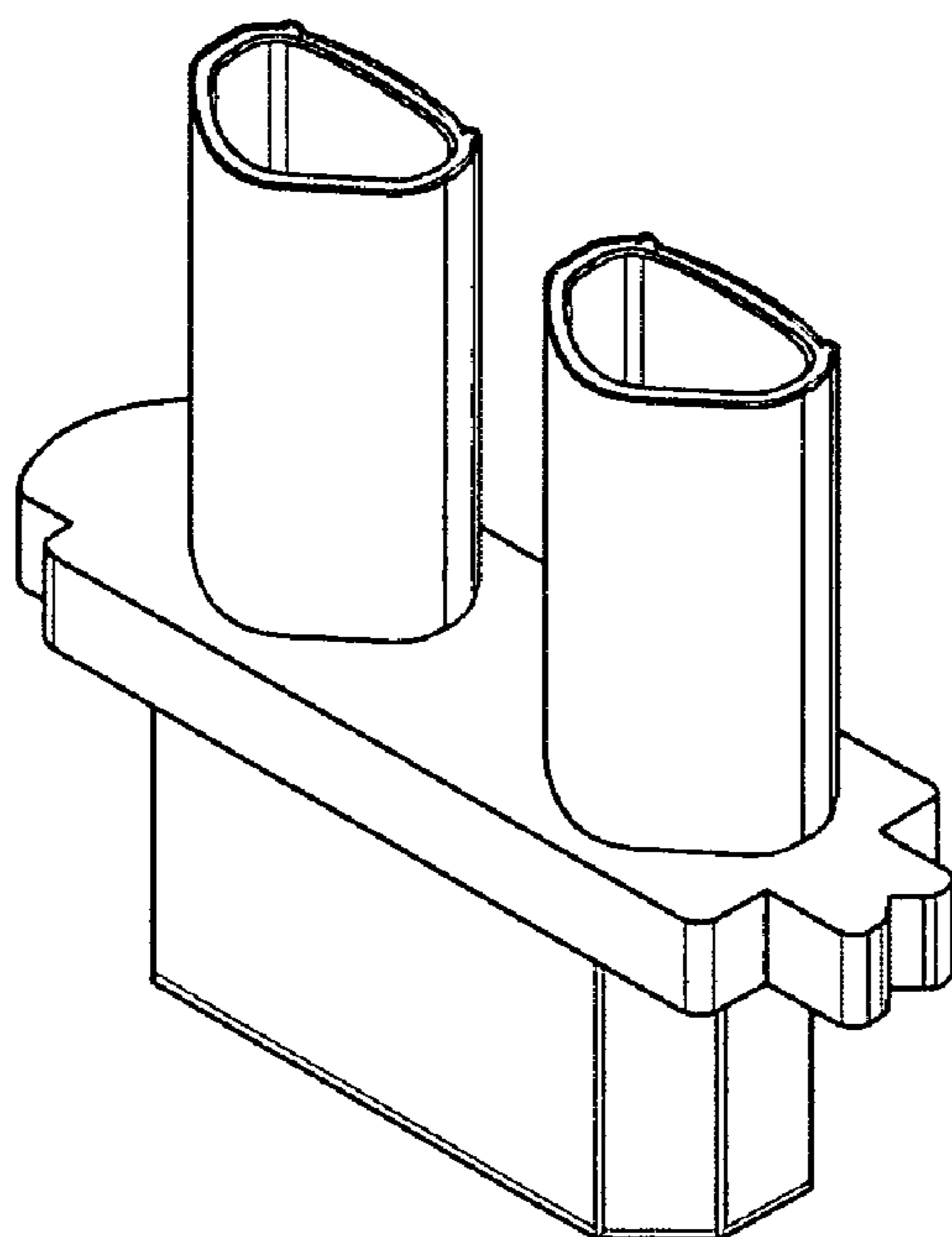


FIG. 1

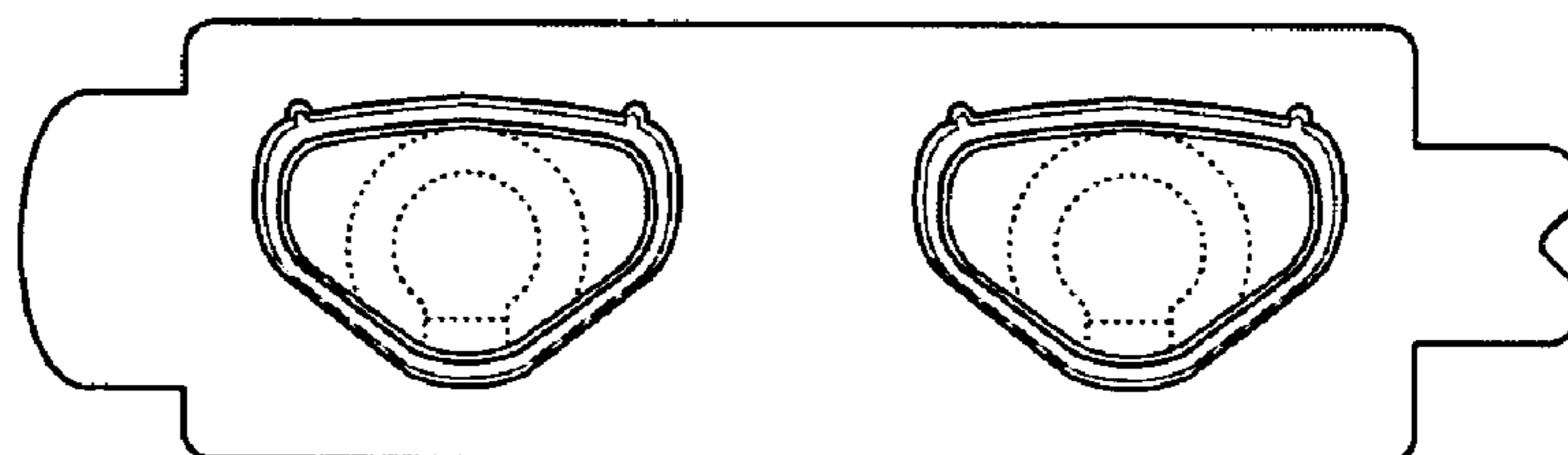


FIG. 2

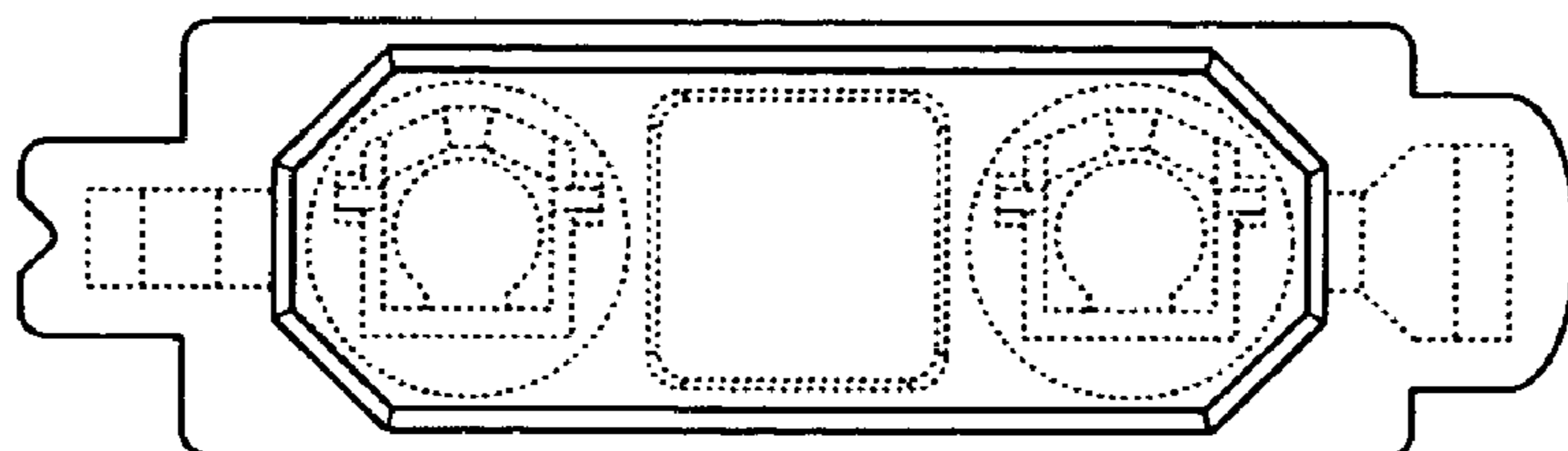


FIG. 3

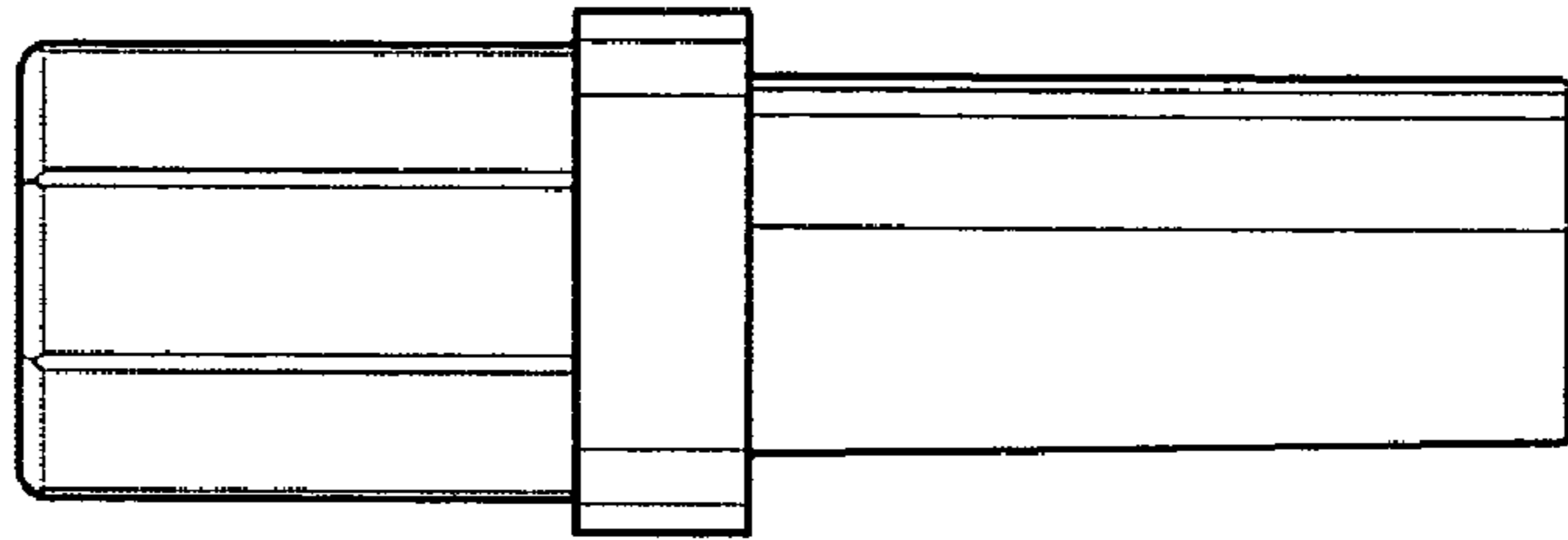


FIG. 4

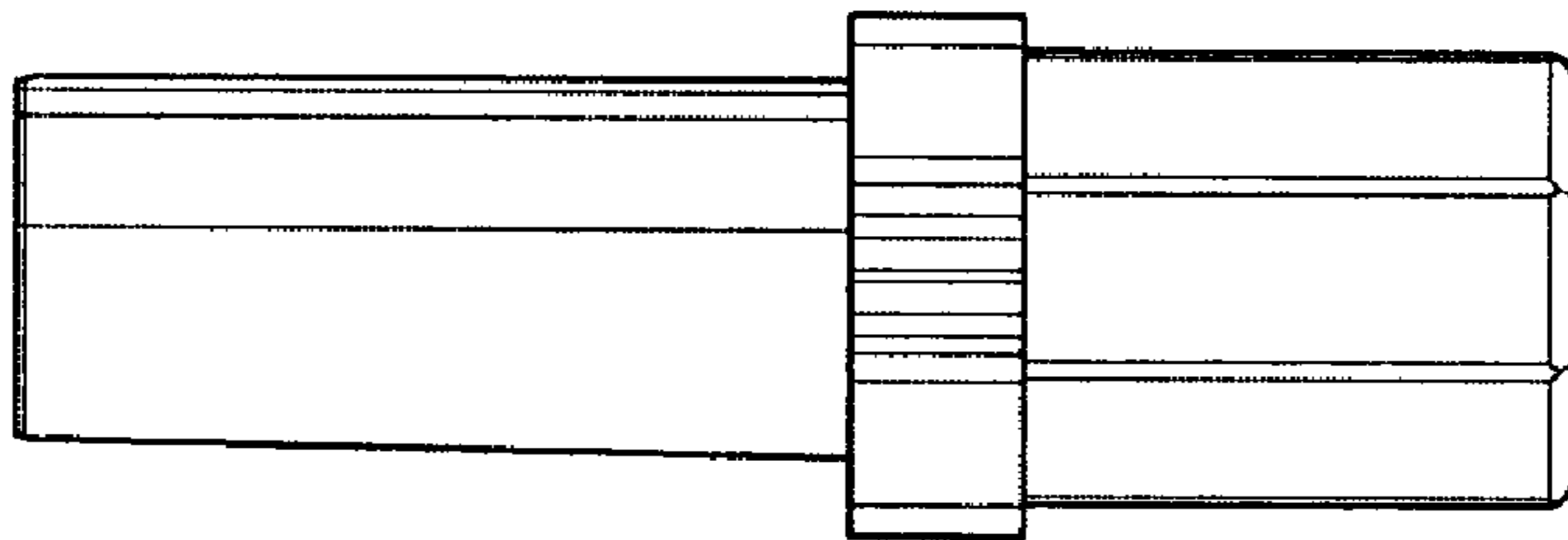


FIG. 5

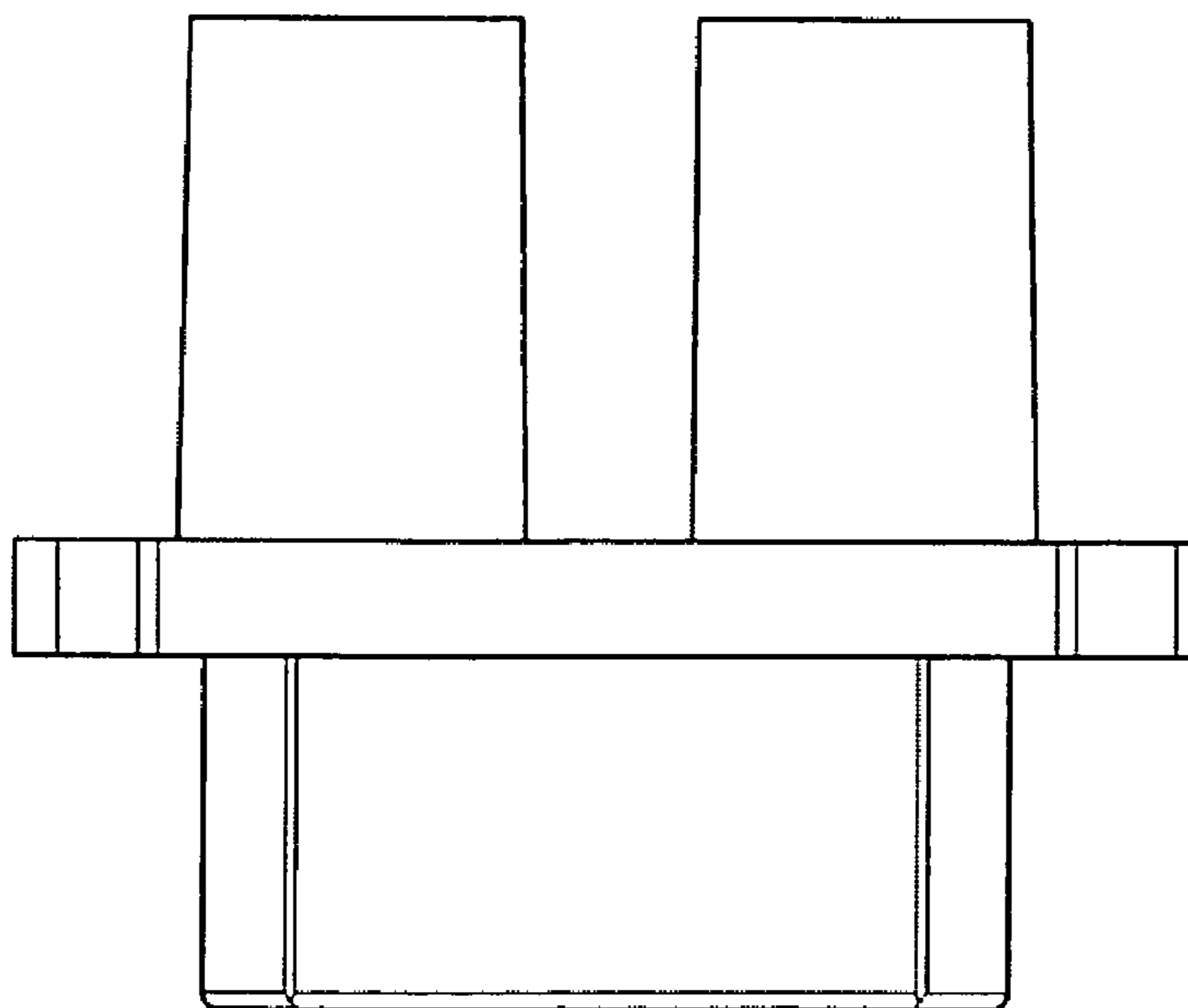


FIG. 6