



US00D588988S

(12) **United States Design Patent**
Nan

(10) **Patent No.:** **US D588,988 S**
(45) **Date of Patent:** **** Mar. 24, 2009**

(54) **BATTERY CONTROL BOX**

(75) Inventor: **Simon Siu Man Nan**, Richmond Hill
(CA)

(73) Assignee: **Nanma Manufacturing Co., Ltd.**, Chai
Wai (HK)

(**) Term: **14 Years**

(21) Appl. No.: **29/292,704**

(22) Filed: **Oct. 24, 2007**

(51) **LOC (9) Cl.** **13-02**

(52) **U.S. Cl.** **D13/119**

(58) **Field of Classification Search** D13/102–106,
D13/110, 118–121, 162, 184; 429/96–100,
429/163, 176

See application file for complete search history.

(56) **References Cited**

U.S. PATENT DOCUMENTS

D314,182 S *	1/1991	Moerman	D13/152
D340,916 S *	11/1993	Iimura	D14/388
D343,164 S *	1/1994	Miyazawa	D13/162
D356,567 S *	3/1995	Jones	D13/162
6,037,078 A	3/2000	Nan		
D432,995 S *	10/2000	Hubler et al.	D13/162
D434,733 S *	12/2000	Brown et al.	D13/154
D473,851 S *	4/2003	Krajci et al.	D13/162
D477,286 S *	7/2003	Krajci et al.	D13/162

D508,469 S *	8/2005	Hahn et al.	D13/184
D514,075 S *	1/2006	Hahn et al.	D13/184
D515,038 S *	2/2006	Riley	D13/162
D516,220 S	2/2006	Nan		
D543,938 S *	6/2007	Kawakita et al.	D13/119
D544,451 S	6/2007	Nan		
D549,181 S *	8/2007	Riley	D13/162

* cited by examiner

Primary Examiner—Jennifer Rivard

Assistant Examiner—Rosemary K Tarcza

(74) *Attorney, Agent, or Firm*—Ari M. Bai; Polsinelli Shugart
PC

(57) **CLAIM**

The ornamental design for a battery control box, as shown and described.

DESCRIPTION

FIG. 1 is an isometric perspective view of a battery control box, showing my new design.

FIG. 2 is a front elevation view of the battery control box.

FIG. 3 is an opposing back elevation view thereof.

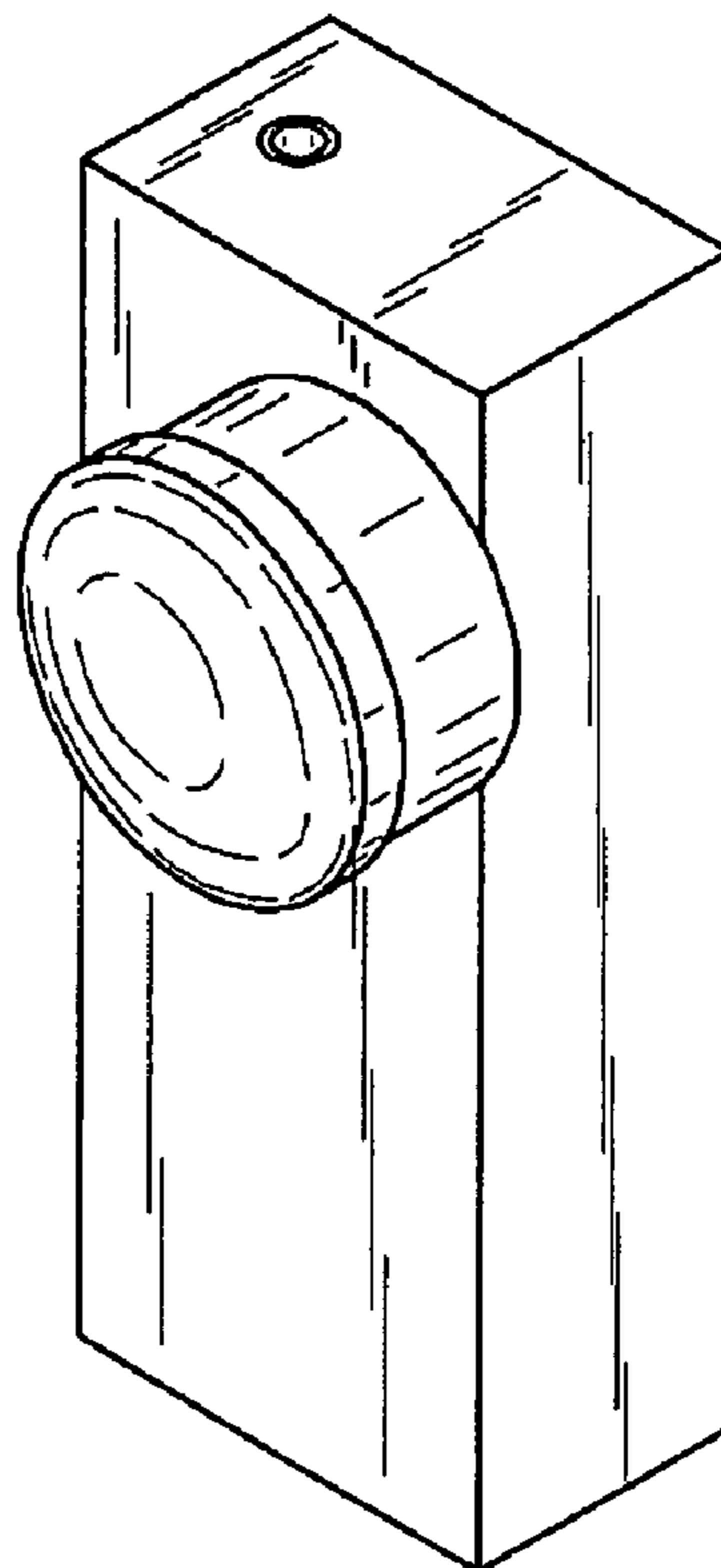
FIG. 4 is a left side elevation view thereof.

FIG. 5 is a right side elevation view thereof.

FIG. 6 is a top plan view thereof; and,

FIG. 7 is a bottom plan view thereof.

1 Claim, 1 Drawing Sheet



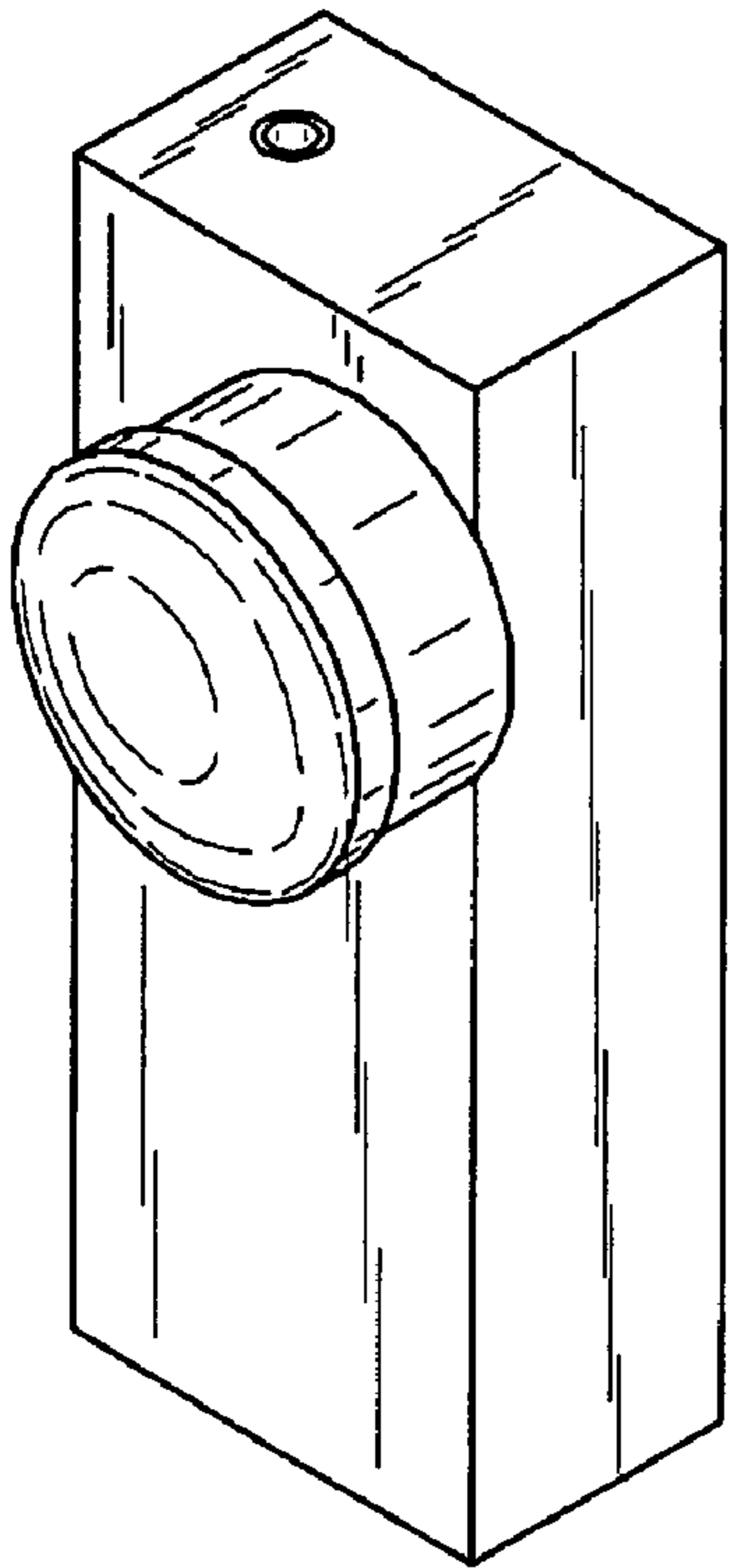


FIG. 1

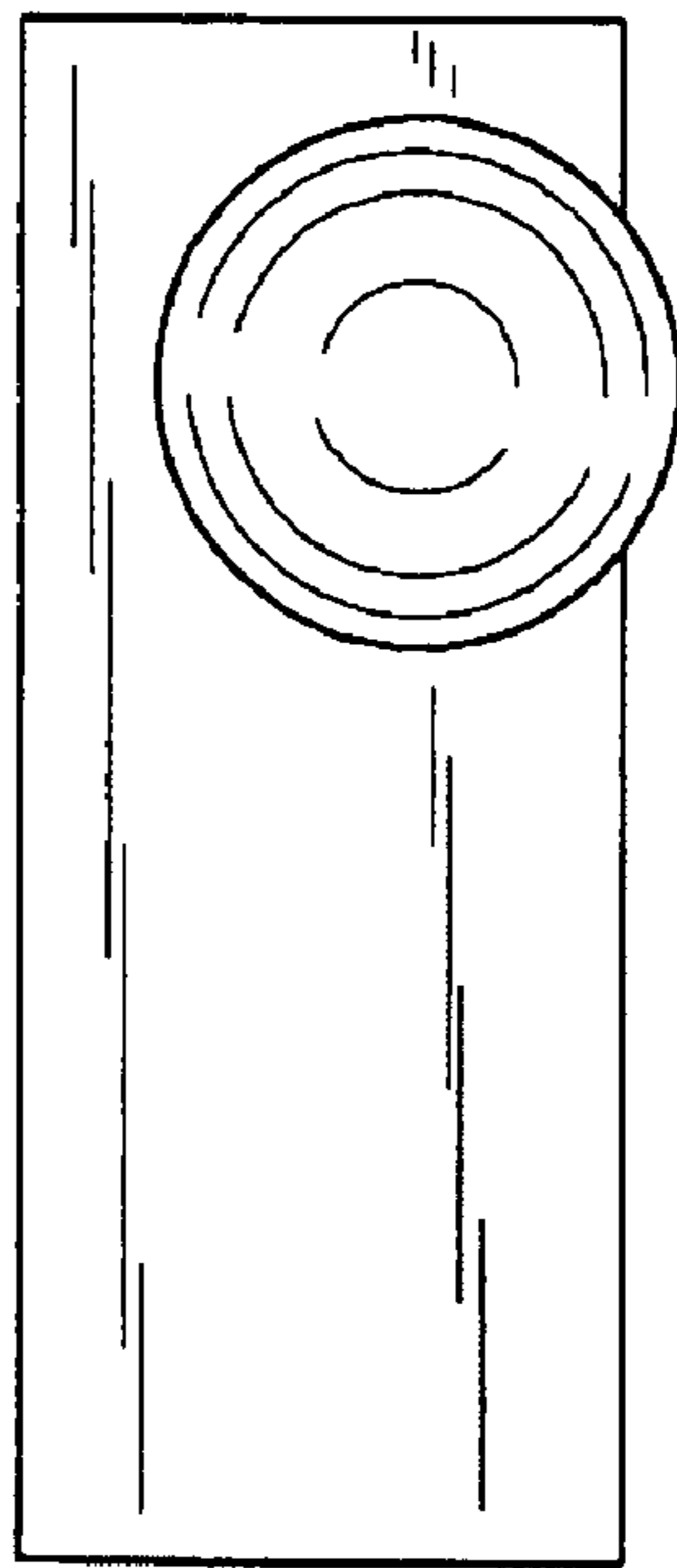


FIG. 2

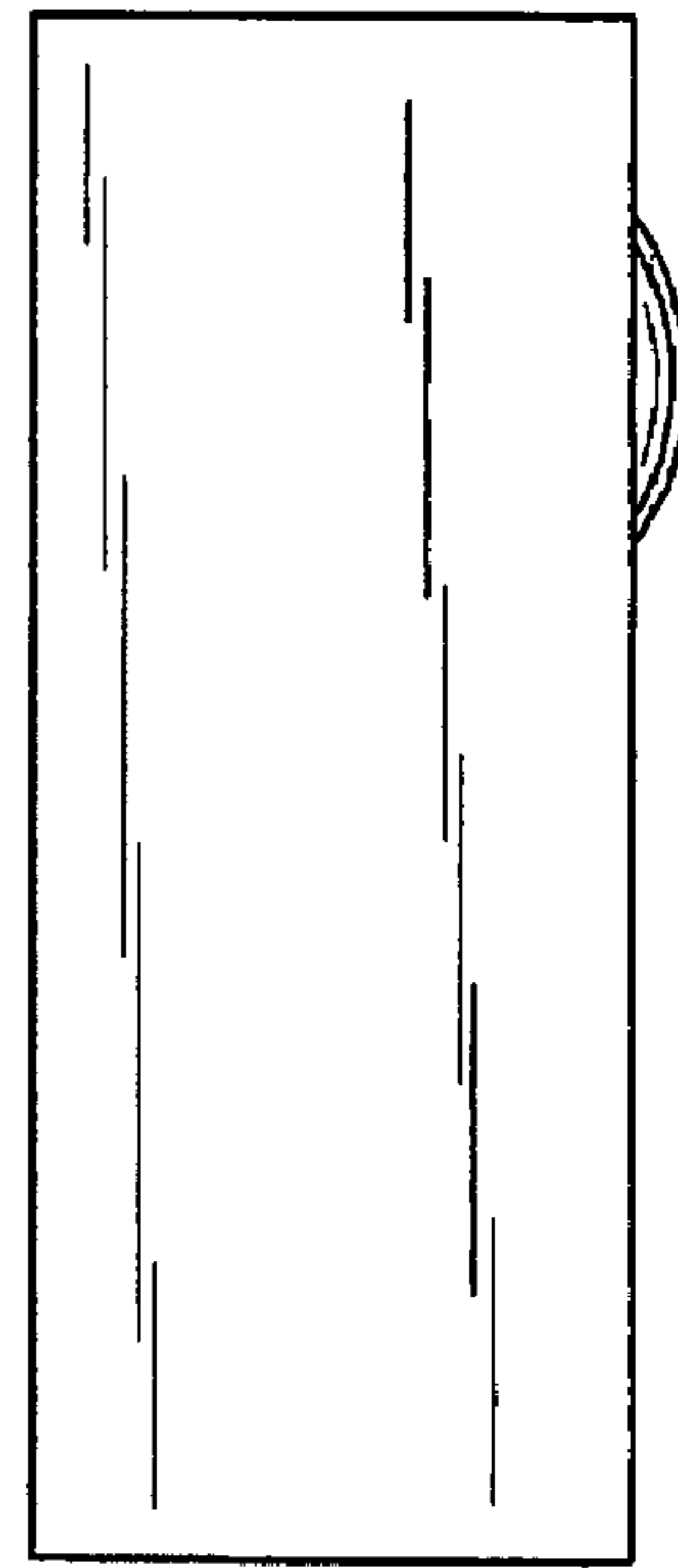


FIG. 3

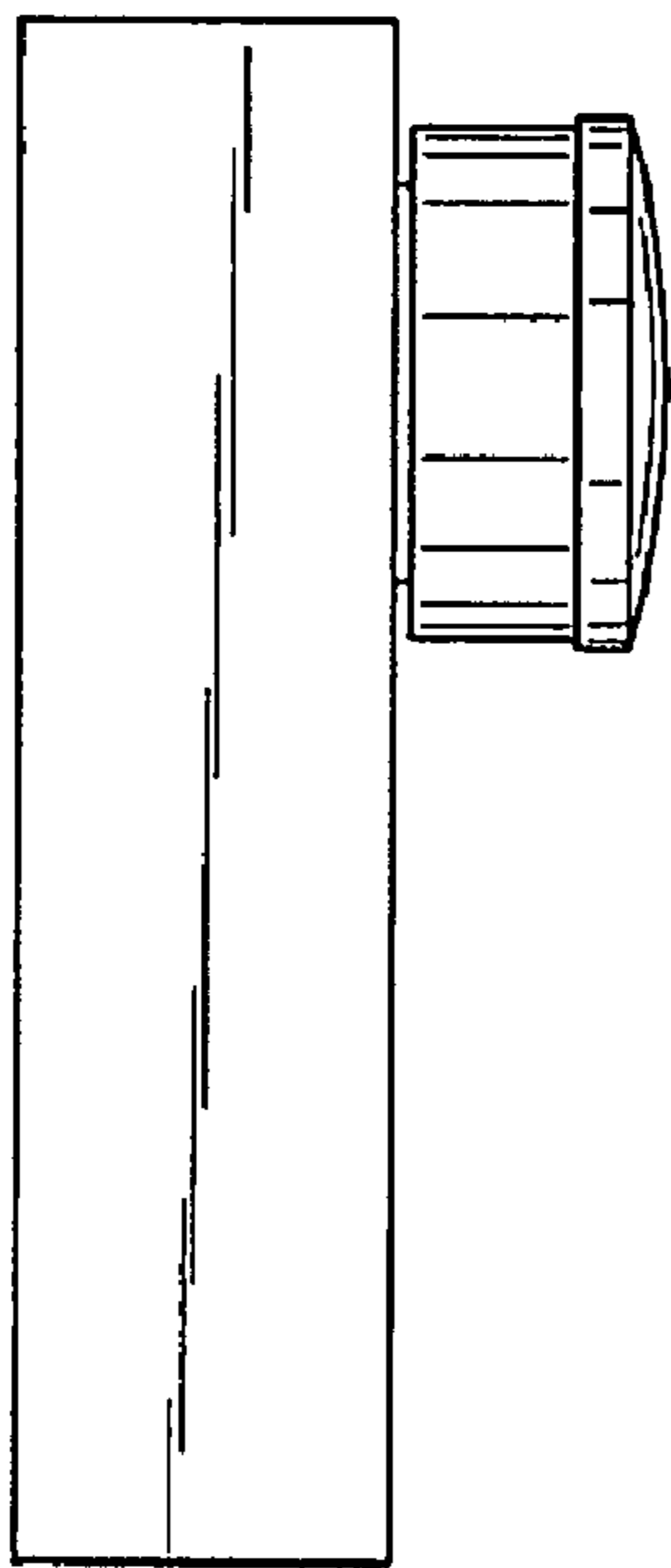


FIG. 4

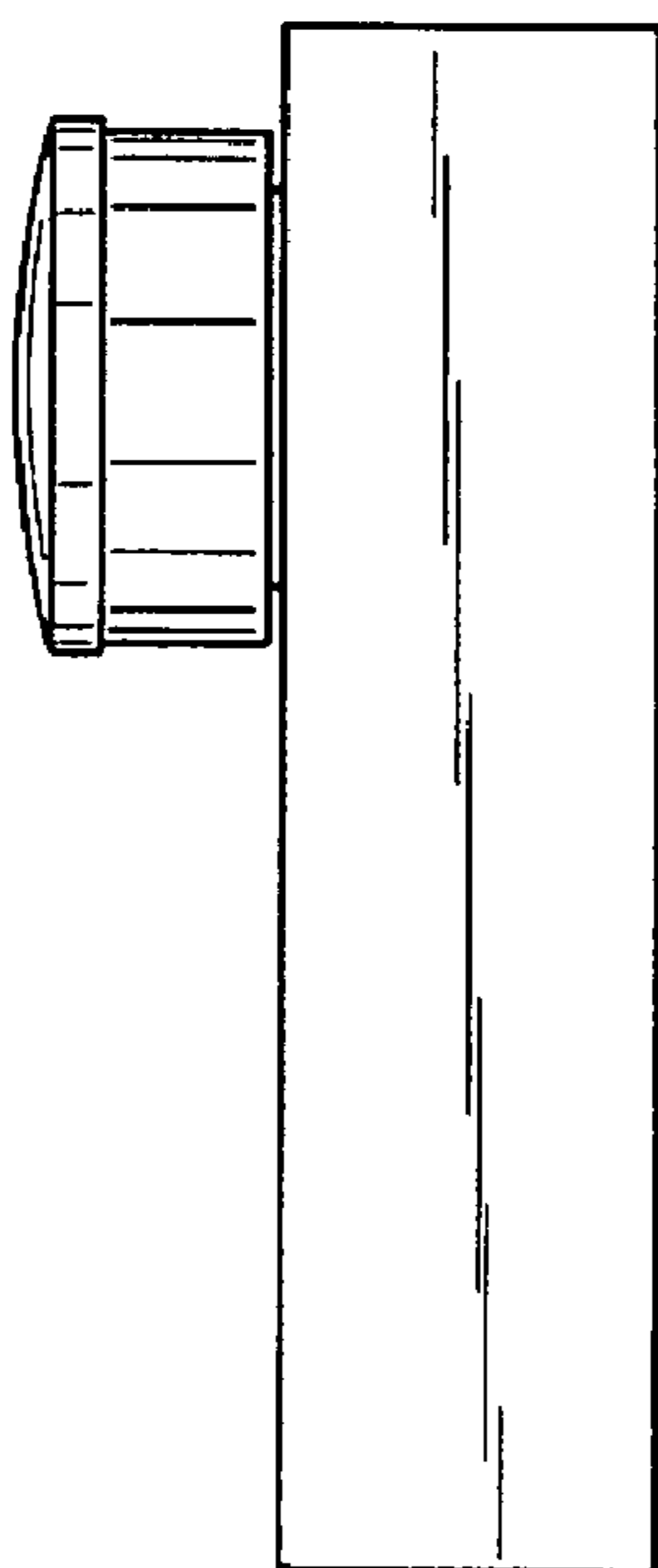


FIG. 5

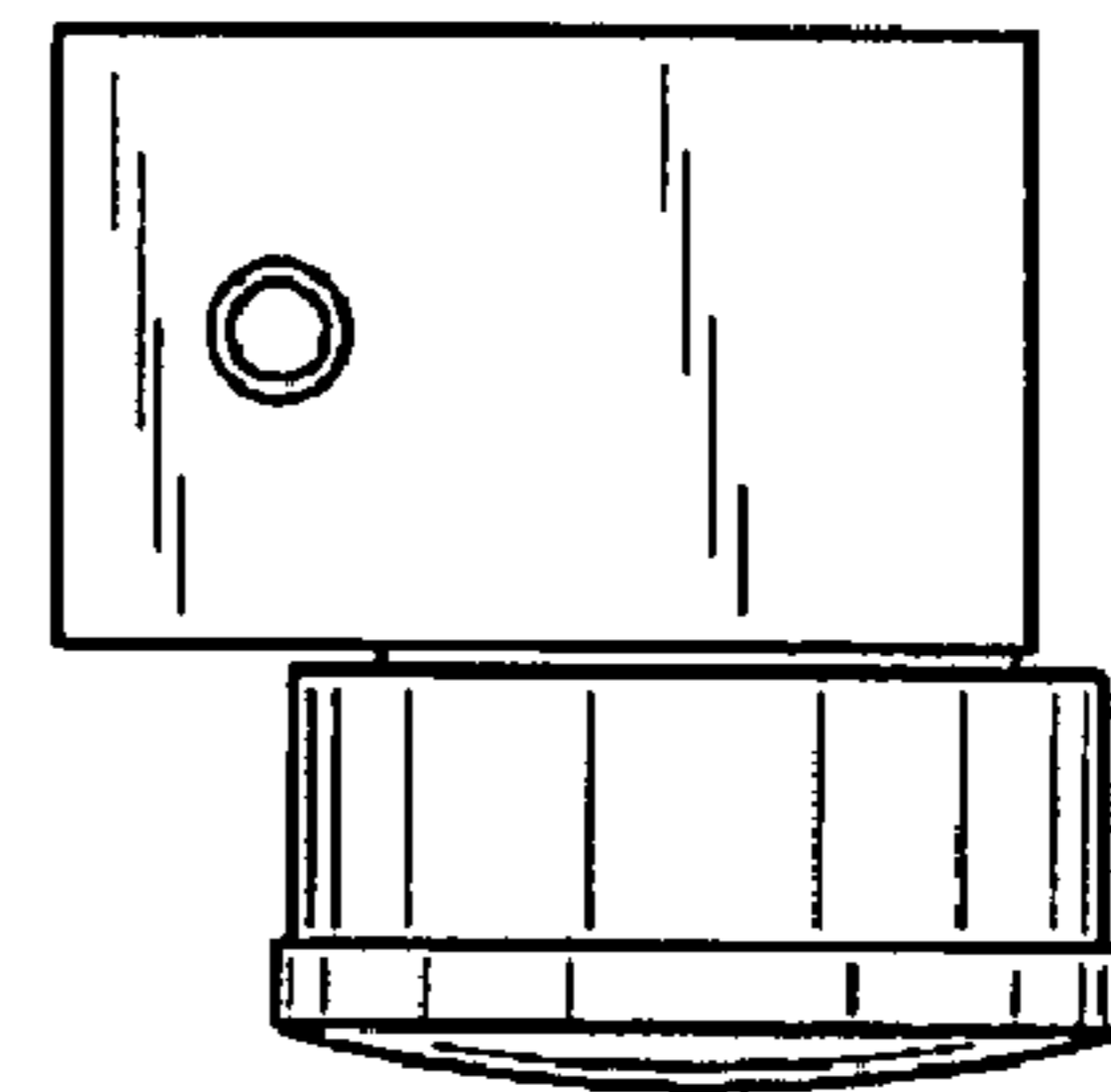


FIG. 6

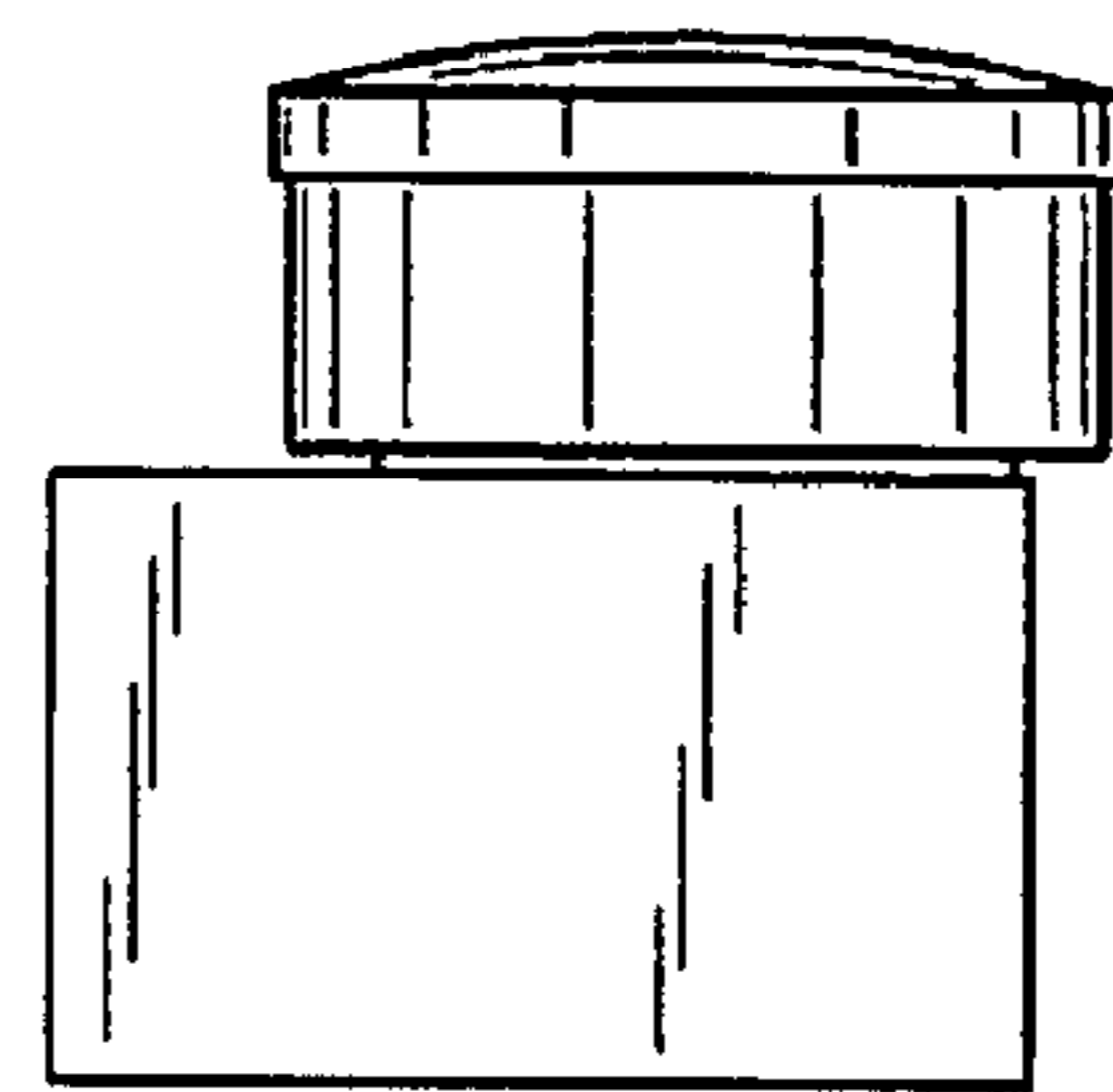


FIG. 7

UNITED STATES PATENT AND TRADEMARK OFFICE
CERTIFICATE OF CORRECTION

PATENT NO. : Des. 588,988 S
APPLICATION NO. : 29/292704
DATED : March 24, 2009
INVENTOR(S) : Simon Siu Man Nan

Page 1 of 1

It is certified that error appears in the above-identified patent and that said Letters Patent is hereby corrected as shown below:

On the Title Page, Item (73) Assignee's address should read --Chai Wan, HK--

Signed and Sealed this

Tenth Day of November, 2009

A handwritten signature in black ink that reads "David J. Kappos". The signature is written in a cursive, slightly slanted style.

David J. Kappos
Director of the United States Patent and Trademark Office