



US00D588985S

(12) **United States Design Patent**
O'Hern

(10) **Patent No.:** **US D588,985 S**
(45) **Date of Patent:** **** Mar. 24, 2009**

(54) **BATTERY CHARGER**
(75) Inventor: **Adam M. O'Hern**, Cambridge, MA
(US)
(73) Assignee: **Black & Decker Inc.**, Newark, DE (US)
(**) Term: **14 Years**

4,742,290 A 5/1988 Sutphin et al.
4,816,735 A 3/1989 Cook et al.
5,039,929 A 8/1991 Veistroffer et al.
5,052,943 A 10/1991 Davis
5,117,172 A 5/1992 Chen

(Continued)

(21) Appl. No.: **29/296,277**

FOREIGN PATENT DOCUMENTS

(22) Filed: **Oct. 17, 2007**

DE 8713538.8 U1 12/1988

(51) **LOC (9) Cl.** **13-02**

(52) **U.S. Cl.** **D13/107**

(58) **Field of Classification Search** D13/107-110,
D13/118-119, 184; D14/251, 253, 432,
D14/434; 320/107-115

See application file for complete search history.

(Continued)

Primary Examiner—Jennifer Rivard
Assistant Examiner—Rosemary K Tarcza
(74) *Attorney, Agent, or Firm*—Wesley W. Muller

(56) **References Cited**

(57) **CLAIM**

U.S. PATENT DOCUMENTS

The ornamental design for a battery charger, as shown and described.

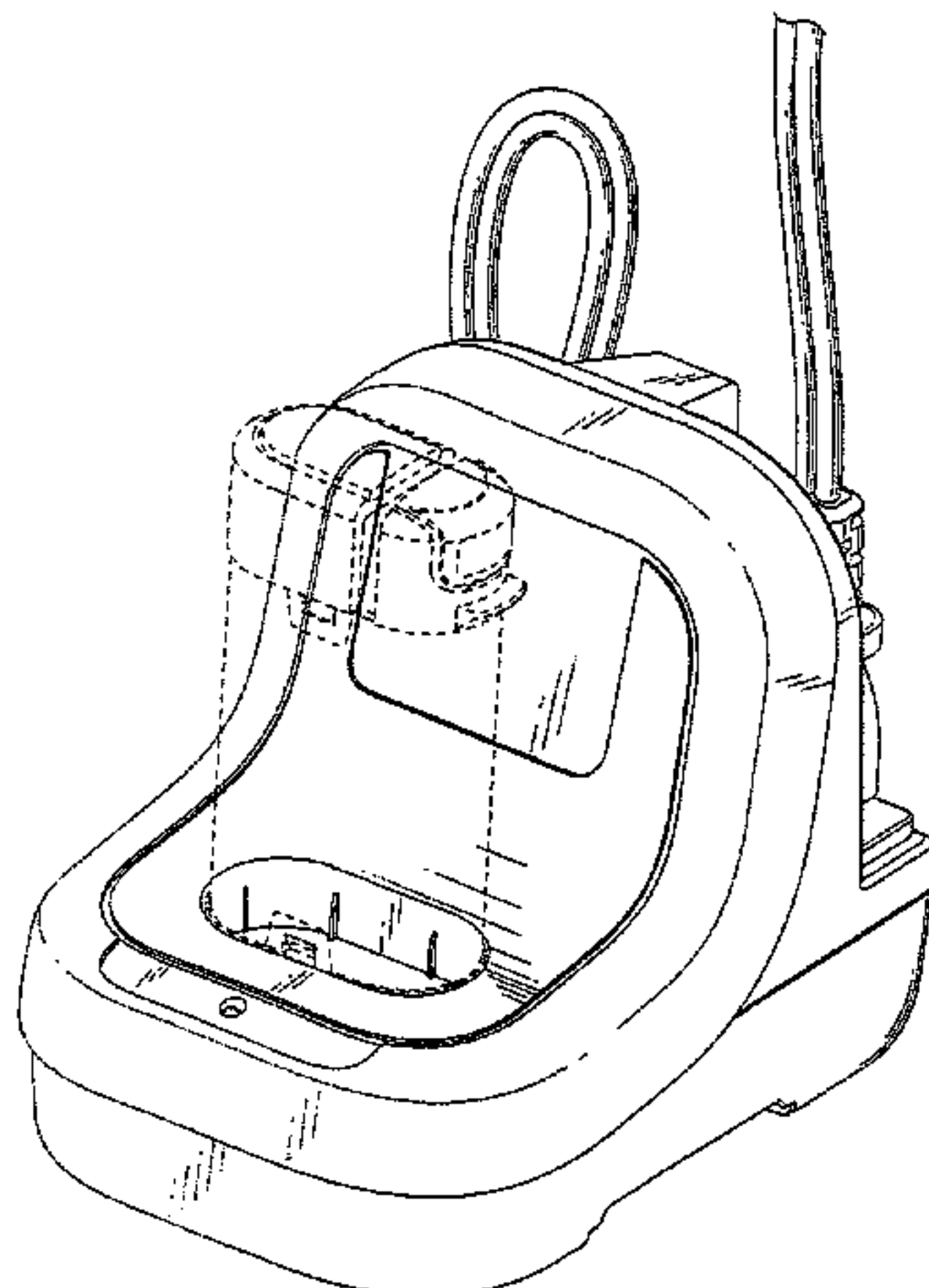
- 1,494,397 A 5/1924 Wheat
- 2,622,233 A 12/1952 Field
- 3,153,186 A 10/1964 Medlar
- 3,296,516 A 1/1967 Paine, II et al.
- 3,579,075 A 5/1971 Floyd
- 3,696,283 A 10/1972 Ackley, III
- 3,796,940 A 3/1974 Mauch et al.
- 3,867,681 A 2/1975 Bishop et al.
- 3,886,427 A 5/1975 Long
- 3,921,050 A 11/1975 Rowas
- 4,016,474 A 4/1977 Mason
- 4,035,709 A 7/1977 Seider et al.
- 4,136,310 A 1/1979 Foster
- 4,387,332 A 6/1983 Oyamada et al.
- 4,456,869 A 6/1984 Schub
- 4,481,458 A 11/1984 Lane
- D278,704 S 5/1985 Claxton et al.
- 4,591,777 A 5/1986 McCarty et al.
- 4,616,171 A 10/1986 Hernandez et al.
- 4,629,962 A 12/1986 Arakawa
- 4,647,831 A 3/1987 O'Malley et al.
- 4,672,292 A 6/1987 Hernandez
- 4,716,352 A 12/1987 Hurn et al.
- 4,739,242 A 4/1988 McCarty et al.

DESCRIPTION

FIG. 1 is a front perspective view of a battery charger according to the present invention;
FIG. 2 is a left side view of the battery charger of FIG. 1;
FIG. 3 is a right side view of the battery charger of FIG. 1;
FIG. 4 is a top view of the of battery charger of FIG. 1;
FIG. 5 is a bottom view of the battery charger of FIG. 1;
FIG. 6 is an elevated front view of the battery charger of FIG. 1; and,
FIG. 7 is an elevated rear view of the battery charger of FIG. 1.

The broken lines in the figures merely illustrate the environment for the battery charger of the present design and therefore form no part of the claimed design.

1 Claim, 7 Drawing Sheets



US D588,985 S

U.S. PATENT DOCUMENTS			FOREIGN PATENT DOCUMENTS		
5,119,008 A	6/1992	Morita et al.	6,777,915 B2	8/2004	Yoshizawa et al.
5,166,596 A	11/1992	Goedken	6,798,174 B2	9/2004	Cornett et al.
5,187,422 A	2/1993	Izenbaard et al.	6,819,080 B2	11/2004	Barbeau et al.
D335,861 S *	5/1993	Tattari D13/108	6,819,083 B1	11/2004	Patino et al.
5,237,259 A	8/1993	Sanpei	6,822,423 B2	11/2004	Yau et al.
5,252,906 A	10/1993	Busson	6,828,759 B1	12/2004	Xiong et al.
5,327,067 A	7/1994	Scholder	6,860,764 B2	3/2005	Khoury
5,444,378 A	8/1995	Rogers	6,891,351 B2	5/2005	Chen
D363,917 S *	11/1995	Kanou et al. D13/108	D506,725 S	6/2005	Watson
5,497,067 A	3/1996	Shaw	6,909,260 B2	6/2005	Parker
5,539,298 A	7/1996	Perkins et al.	6,919,725 B2	7/2005	Bertness et al.
5,554,920 A	9/1996	Kokuga	6,930,466 B2	8/2005	Bradley et al.
5,616,968 A	4/1997	Fujii et al.	6,956,487 B2	10/2005	Herrmann et al.
5,633,574 A	5/1997	Sage	7,057,374 B2	6/2006	Freas et al.
5,689,171 A	11/1997	Ludewig	7,064,521 B2	6/2006	Stanesti et al.
5,691,622 A	11/1997	Mack et al.	7,068,012 B1	6/2006	Geren et al.
5,717,309 A	2/1998	Cho	7,068,013 B2	6/2006	Patino et al.
5,734,253 A	3/1998	Brake et al.	D525,193 S *	7/2006	Vu D13/108
5,742,149 A	4/1998	Simpson	7,116,079 B2	10/2006	Bayne et al.
5,780,991 A	7/1998	Brake et al.	7,135,837 B2	11/2006	Patino
D396,687 S	8/1998	Somers	7,166,988 B2	1/2007	Maskatia et al.
D397,084 S	8/1998	Siddoway	D551,617 S *	9/2007	Houghton D13/108
5,801,513 A	9/1998	Smith et al.	D553,106 S *	10/2007	Griffin D14/434
5,804,945 A	9/1998	Sato et al.	D554,115 S *	10/2007	Liu et al. D14/253
5,808,446 A	9/1998	Eguchi	D554,116 S *	10/2007	Liu et al. D14/253
5,818,197 A	10/1998	Miller et al.	D559,484 S *	1/2008	Fjellman D32/31
5,856,737 A	1/1999	Miller et al.	D561,182 S *	2/2008	Jenkins et al. D14/253
5,874,823 A	2/1999	Suzuki	7,336,055 B2	2/2008	Ishishita
5,874,825 A	2/1999	Brotto	2005/0024021 A1	2/2005	Zeiler et al.
5,900,715 A	5/1999	Roberts	2005/0068005 A1	3/2005	Yamashita
5,909,101 A	6/1999	Matsumoto et al.	2005/0077878 A1	4/2005	Carrier et al.
5,909,103 A	6/1999	Williams	2005/0127872 A1	6/2005	Lederer
5,914,585 A	6/1999	Grabon	2005/0285560 A1	12/2005	Glasgow et al.
5,945,803 A	8/1999	Brotto et al.	2006/0001400 A1	1/2006	Zedell et al.
5,963,010 A	10/1999	Hayashi et al.	2006/0097672 A1	5/2006	Koga et al.
5,963,014 A	10/1999	Chen	2006/0103347 A1	5/2006	Shum
5,982,148 A	11/1999	Mercer	2006/0145661 A1	7/2006	Patino et al.
6,001,497 A	12/1999	Okutoh	2006/0208697 A1	9/2006	Chan et al.
6,008,621 A	12/1999	Madison et al.	2007/0001644 A1	1/2007	Bayne et al.
6,018,227 A	1/2000	Kumar et al.	2007/0046254 A1 *	3/2007	Chen et al. 320/107
6,104,162 A	8/2000	Sainsbury et al.	2007/0090788 A1	4/2007	Hansford et al.
6,104,165 A	8/2000	Miyamoto et al.	2007/0090806 A1	4/2007	Hoffer et al.
6,137,260 A	10/2000	Wung et al.	2007/0120535 A1	5/2007	Wallace
6,160,378 A	12/2000	Helot et al.			
6,194,874 B1	2/2001	Kalogeropoulos et al.			
6,204,632 B1	3/2001	Nierescher et al.	DE	3734120 A1	4/1989
6,236,186 B1	5/2001	Helton et al.	DE	3844093 A1	7/1990
6,326,767 B1	12/2001	Small et al.	DE	9014132.6 U1	2/1991
6,337,557 B1	1/2002	Kates et al.	DE	19712515 A1	10/1997
6,348,776 B2	2/2002	Kim	DE	102005105654 A1	10/2006
6,356,054 B1	3/2002	Herrmann	DE	102006051753 A1	6/2007
D455,397 S *	4/2002	Weiner et al. D13/108	EP	0257959 A2	3/1988
6,377,023 B1	4/2002	Capel	EP	0485784 B1	10/1991
6,392,384 B1	5/2002	Hwang Bo et al.	EP	0494505 A2	7/1992
6,445,159 B1	9/2002	Ramsden	EP	0616281 A2	9/1994
6,459,243 B1	10/2002	Cheiky et al.	EP	0528478 B1	5/1996
6,489,751 B2	12/2002	Small et al.	EP	0640253 B1	3/1997
6,522,101 B2	2/2003	Malackowski	EP	0760548 A2	3/1997
6,537,953 B2	3/2003	Schultz et al.	EP	1315266 A1	5/2003
6,597,152 B1	7/2003	Jacobs et al.	EP	1746679 A1	1/2007
6,630,812 B1	10/2003	Davis	GB	1298062	11/1972
6,653,819 B2	11/2003	Nagata et al.	GB	2288928 A	11/1995
6,653,820 B1	11/2003	Smith	WO	200010218 A1	2/2000
6,752,514 B2	6/2004	Parker	WO	2005059095 A1	10/2000
6,765,366 B2	7/2004	Maggert et al.	WO	2005117232 A2	12/2005

* cited by examiner

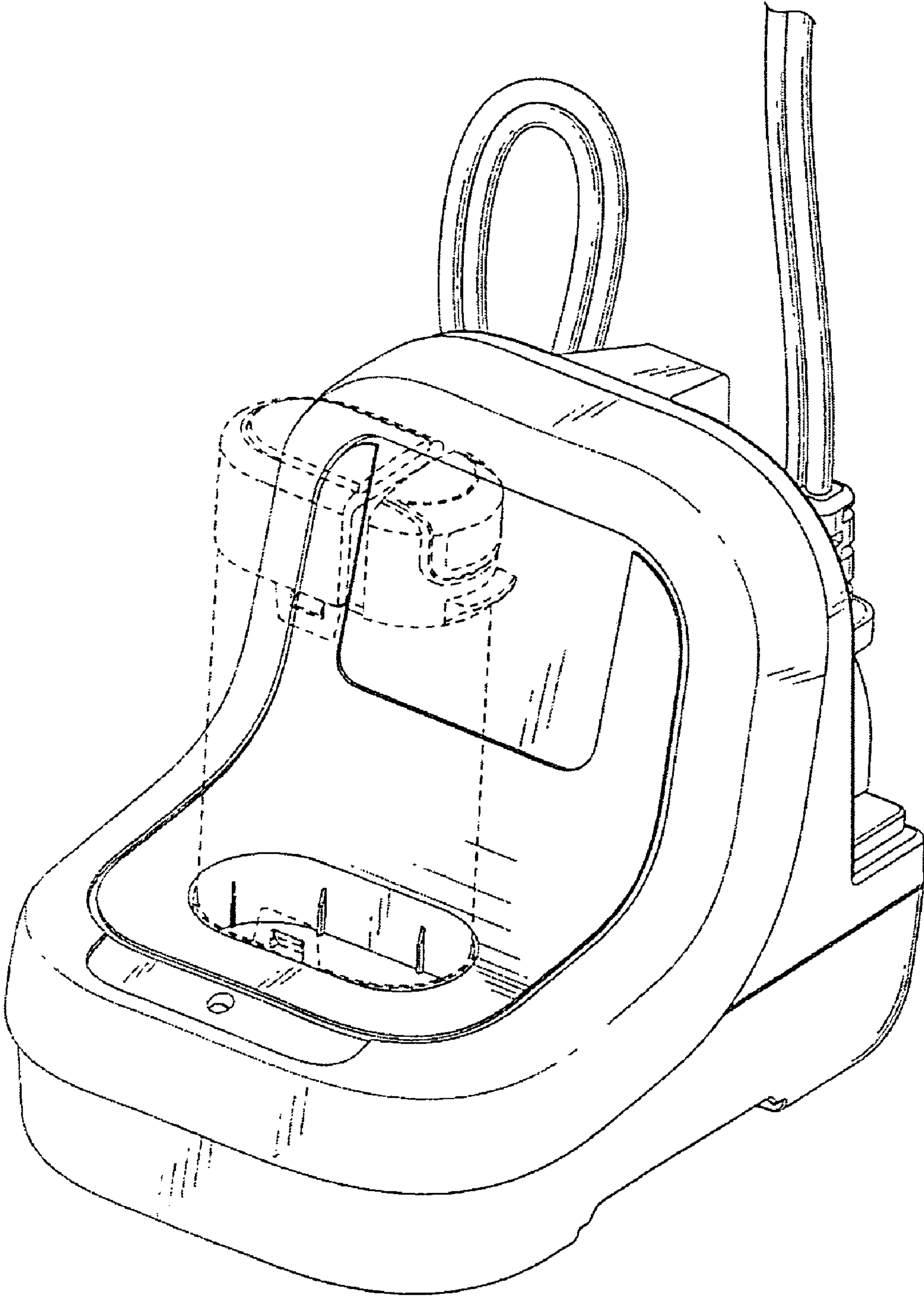


Fig. 1

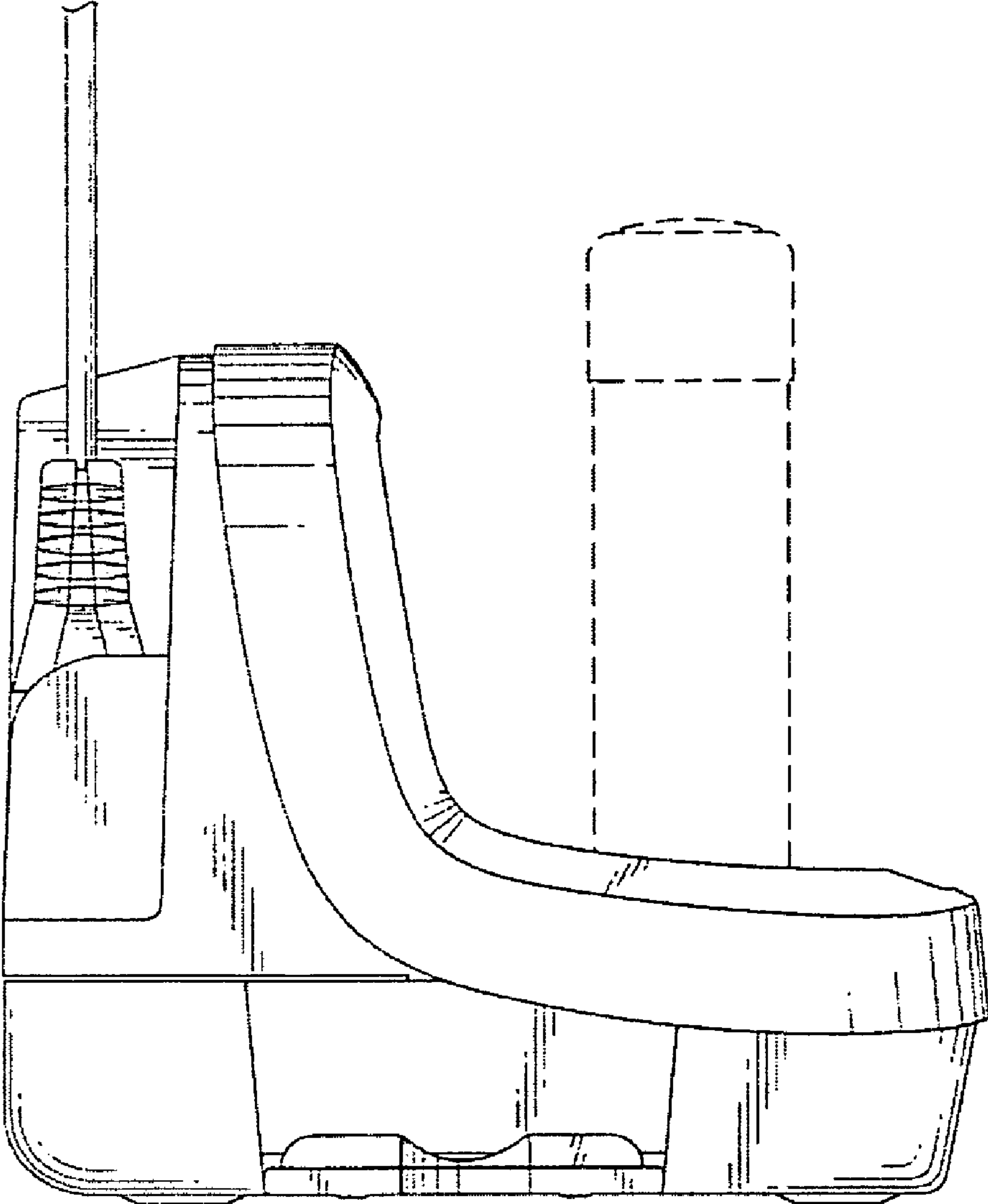


Fig. 2

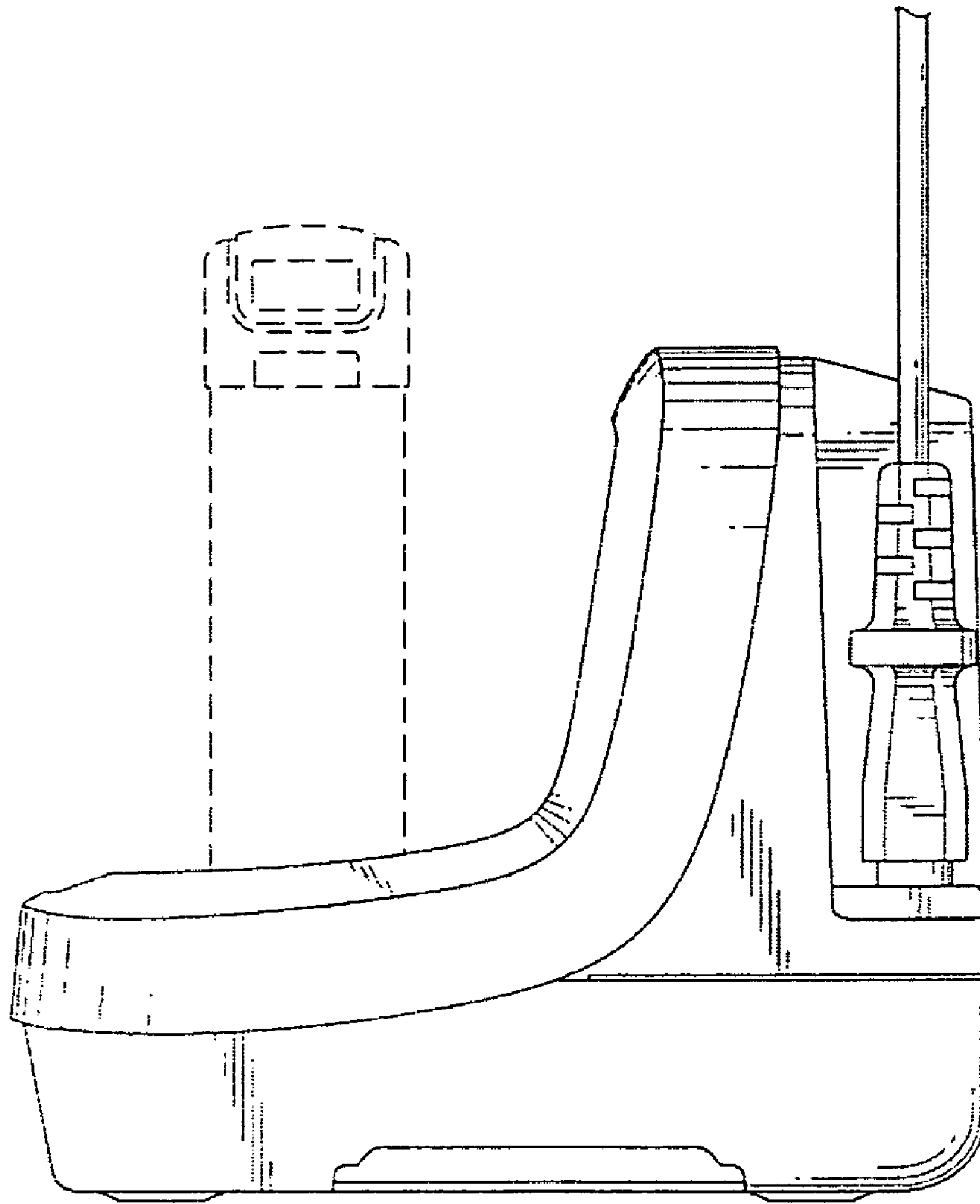


Fig. 3

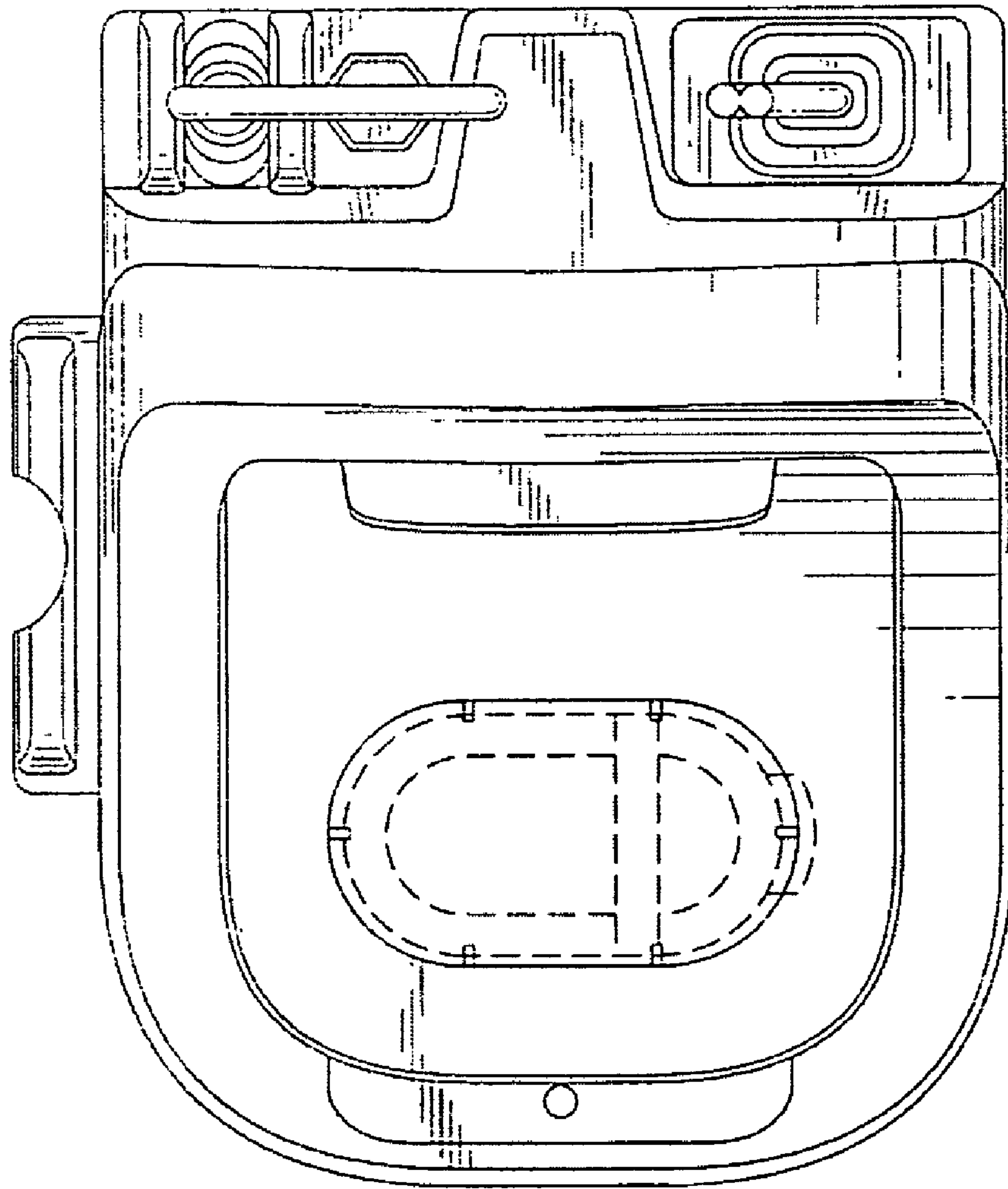


Fig. 4

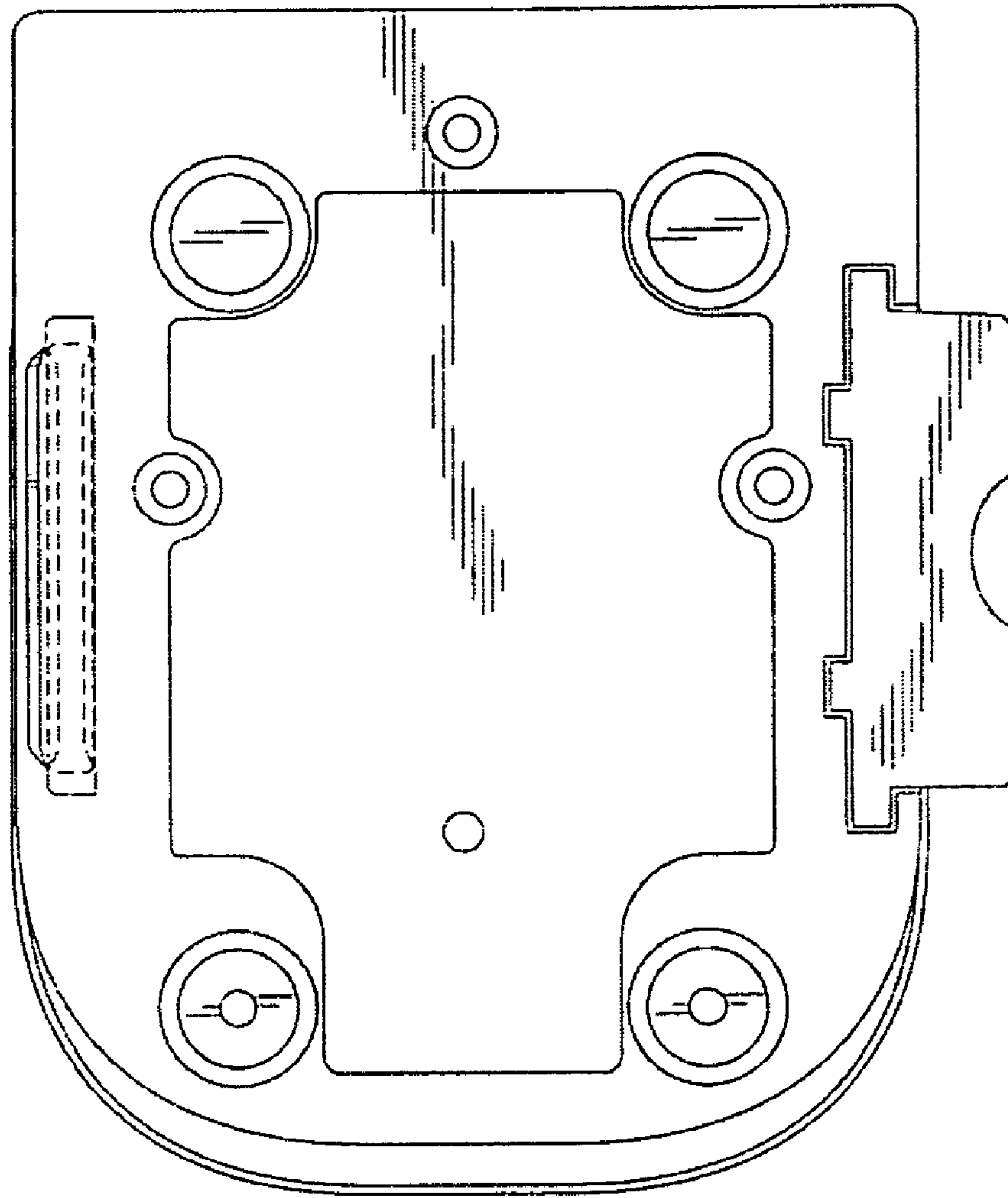


Fig. 5

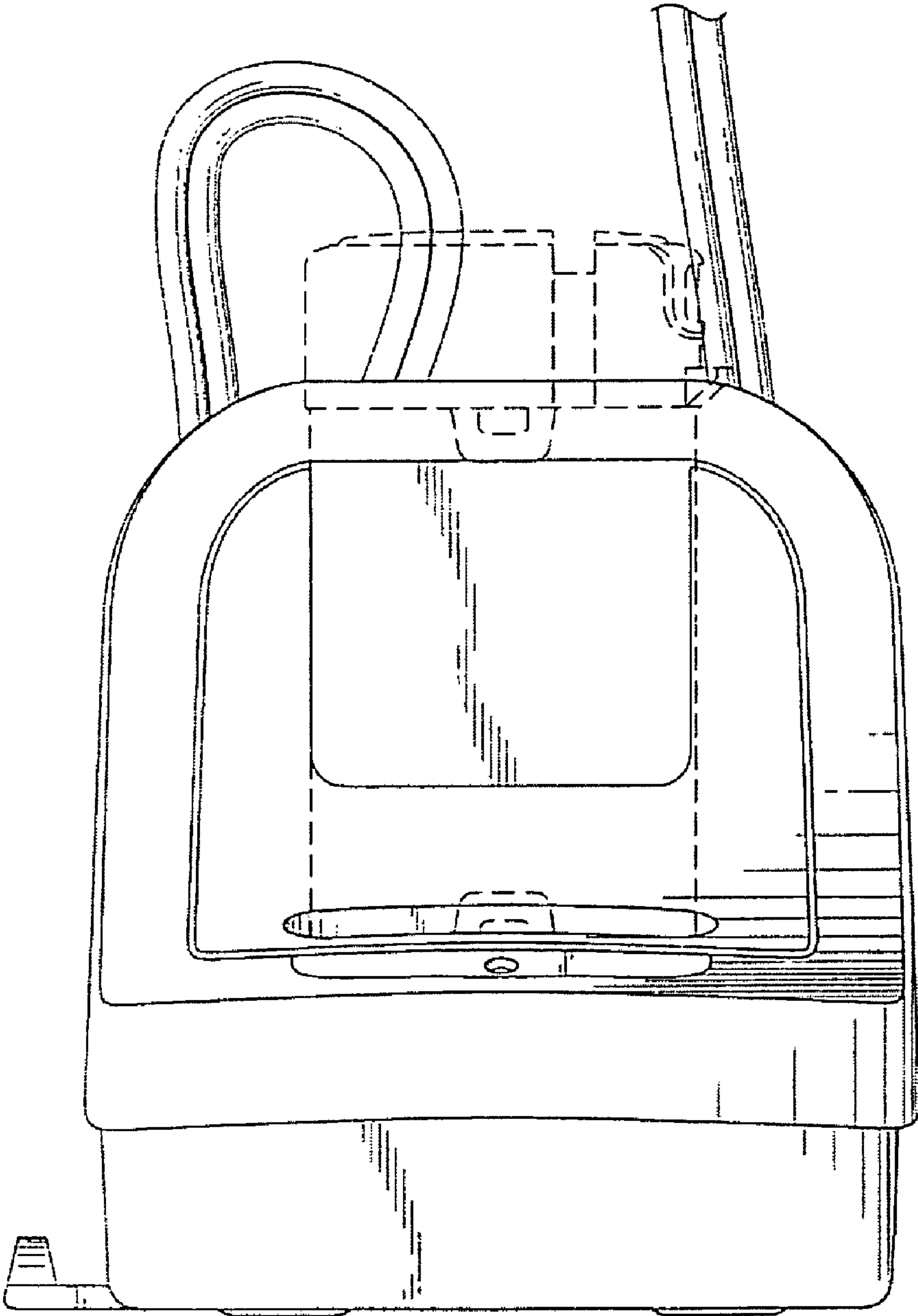


Fig. 6

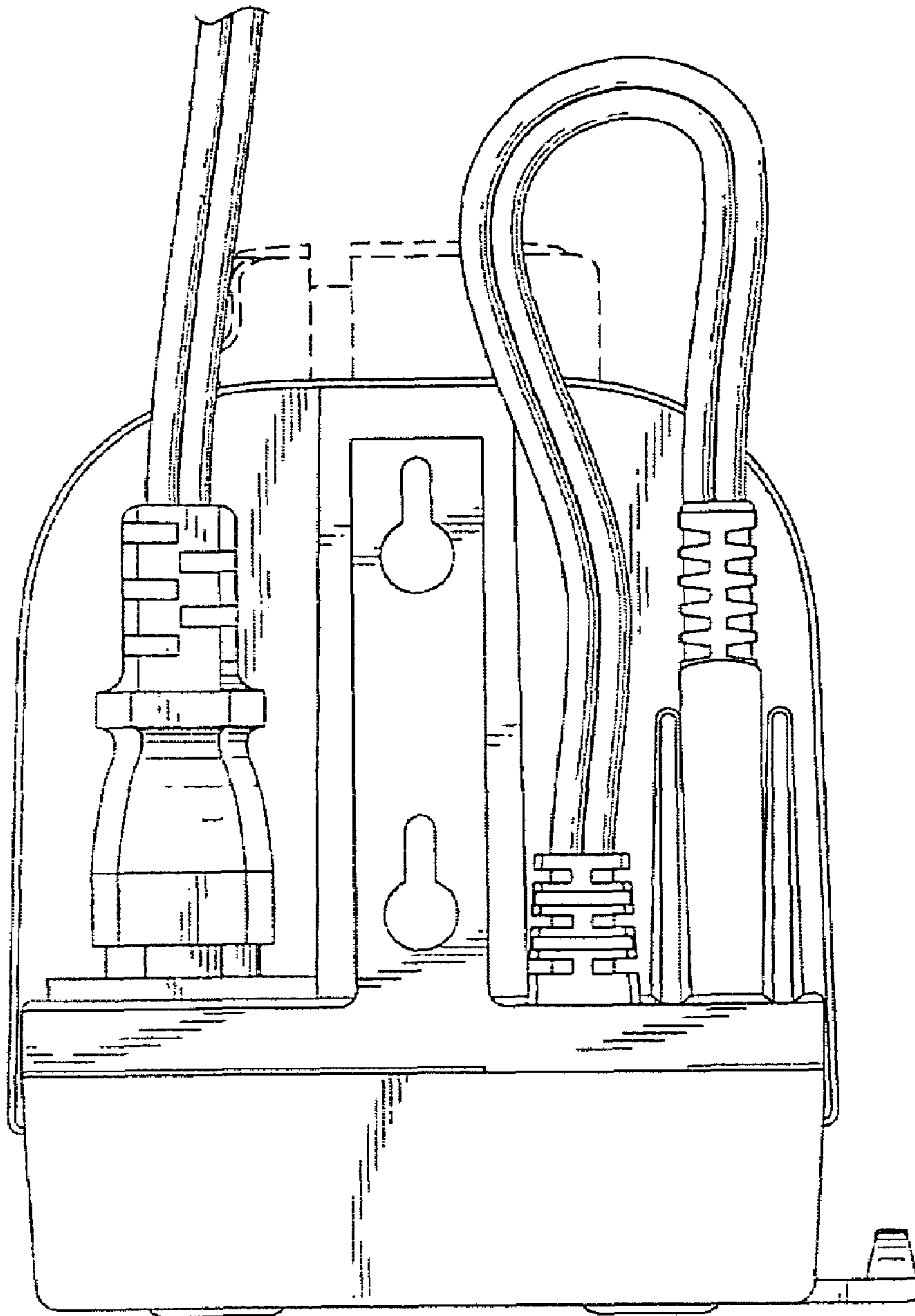


Fig. 7