



US00D588978S

(12) **United States Design Patent**
Powers

(10) **Patent No.:** **US D588,978 S**
(45) **Date of Patent:** **** Mar. 24, 2009**

(54) **PROTECTIVE COVERING FOR TRANSPORTED MOTORCYCLES**
(76) Inventor: **Craig D. Powers**, 2018 Standing Timber Rd., Lancaster, SC (US) 29720-6583

5,820,200 A 10/1998 Zubillaga et al.
5,921,389 A 7/1999 Zoffer
6,209,599 B1 4/2001 Richardson
D468,257 S * 1/2003 Roby et al. D12/402
7,137,422 B2 11/2006 McMillen

(**) Term: **14 Years**

* cited by examiner

(21) Appl. No.: **29/291,946**

Primary Examiner—Robin V Webster
Assistant Examiner—Linda Brooks

(22) Filed: **Sep. 24, 2007**

(57) **CLAIM**

(51) **LOC (9) Cl.** **12-11**
(52) **U.S. Cl.** **D12/402**
(58) **Field of Classification Search** D12/401-404,
D12/114, 126; 52/3-5; 296/77.1, 78.1, 136.1,
296/136.01, 136.07, 136.11, 136.13, 193.12,
296/200, 201, 100.11; 150/166-168; 135/88.1,
135/88.03, 88.04, 88.14, 88.15, 117
See application file for complete search history.

The ornamental design for a protective covering for transported motorcycles, as shown and described.

DESCRIPTION

(56) **References Cited**

U.S. PATENT DOCUMENTS

3,659,872 A 5/1972 Warner
3,968,913 A 7/1976 Weed et al.
4,283,084 A 8/1981 Gallagher
D322,054 S 12/1991 Reiter
D341,552 S * 11/1993 Schardt D12/114
5,282,502 A * 2/1994 Ballard 150/167
5,372,169 A 12/1994 Norton et al.

FIG. 1 is a right side view of the protective covering for transported motorcycles;

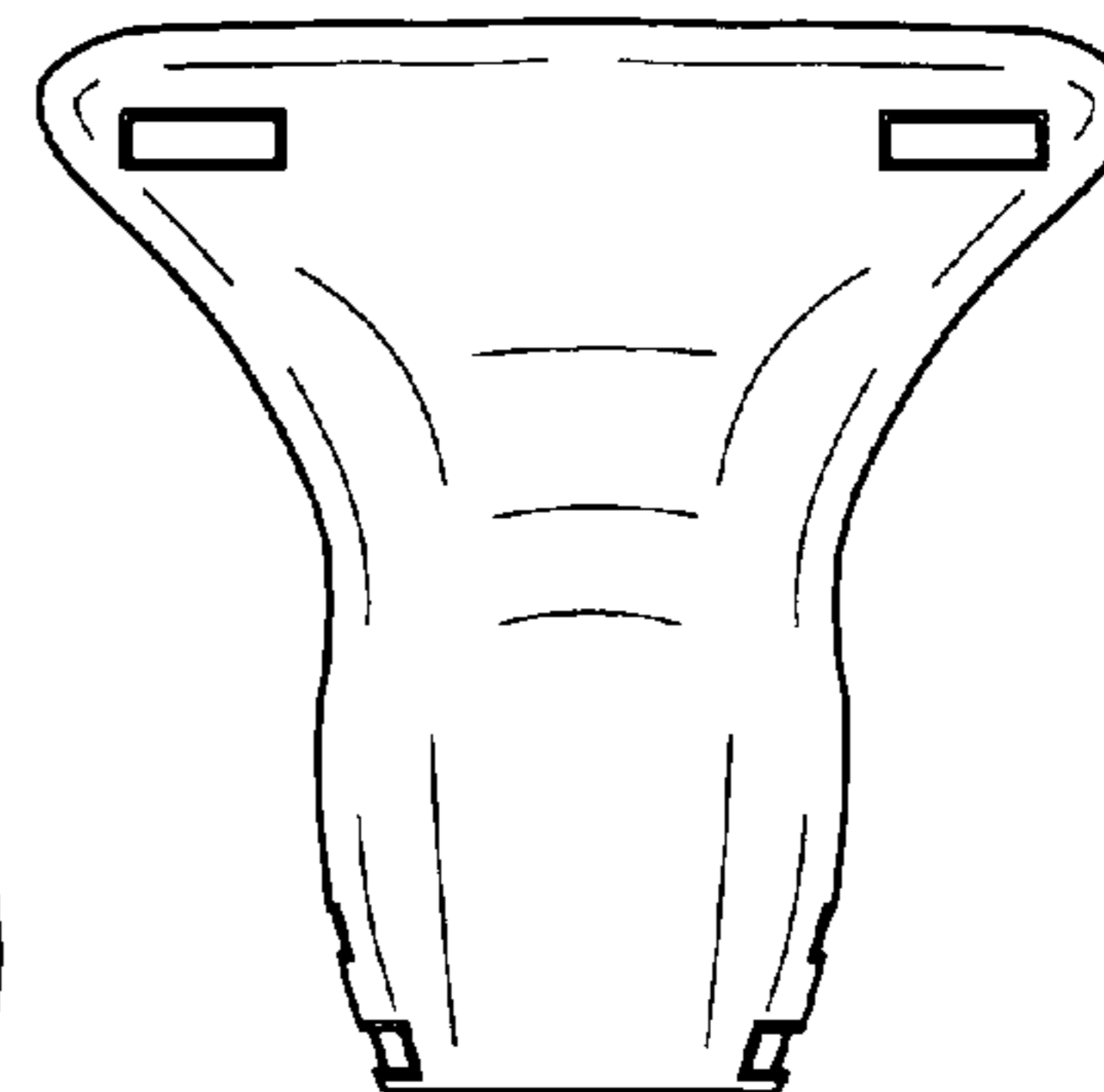
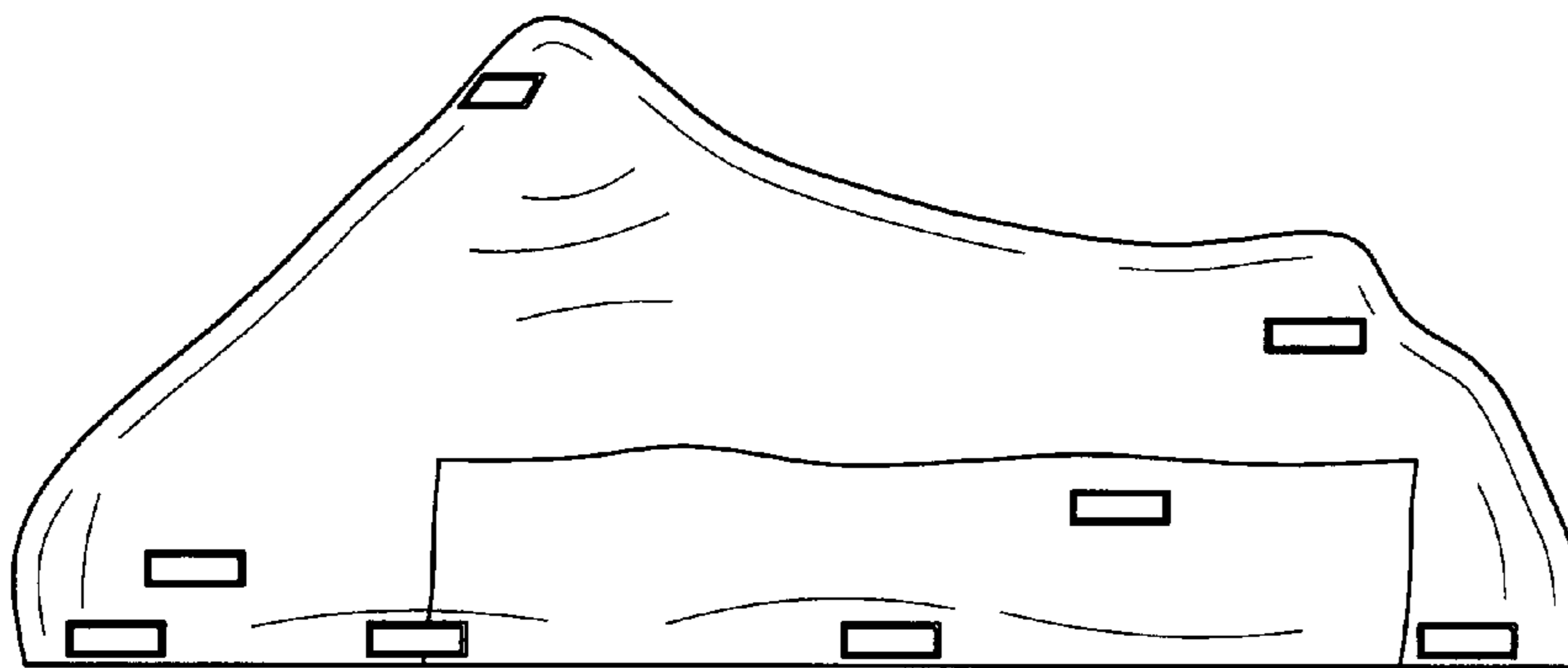
FIG. 2 is a front view of the protective covering for transported motorcycles;

FIG. 3 is a rear view of the protective covering for transported motorcycles;

FIG. 4 is a top view of the protective covering for transported motorcycles; and,

FIG. 5 is a bottom view of the protective covering for transported motorcycles.

1 Claim, 2 Drawing Sheets



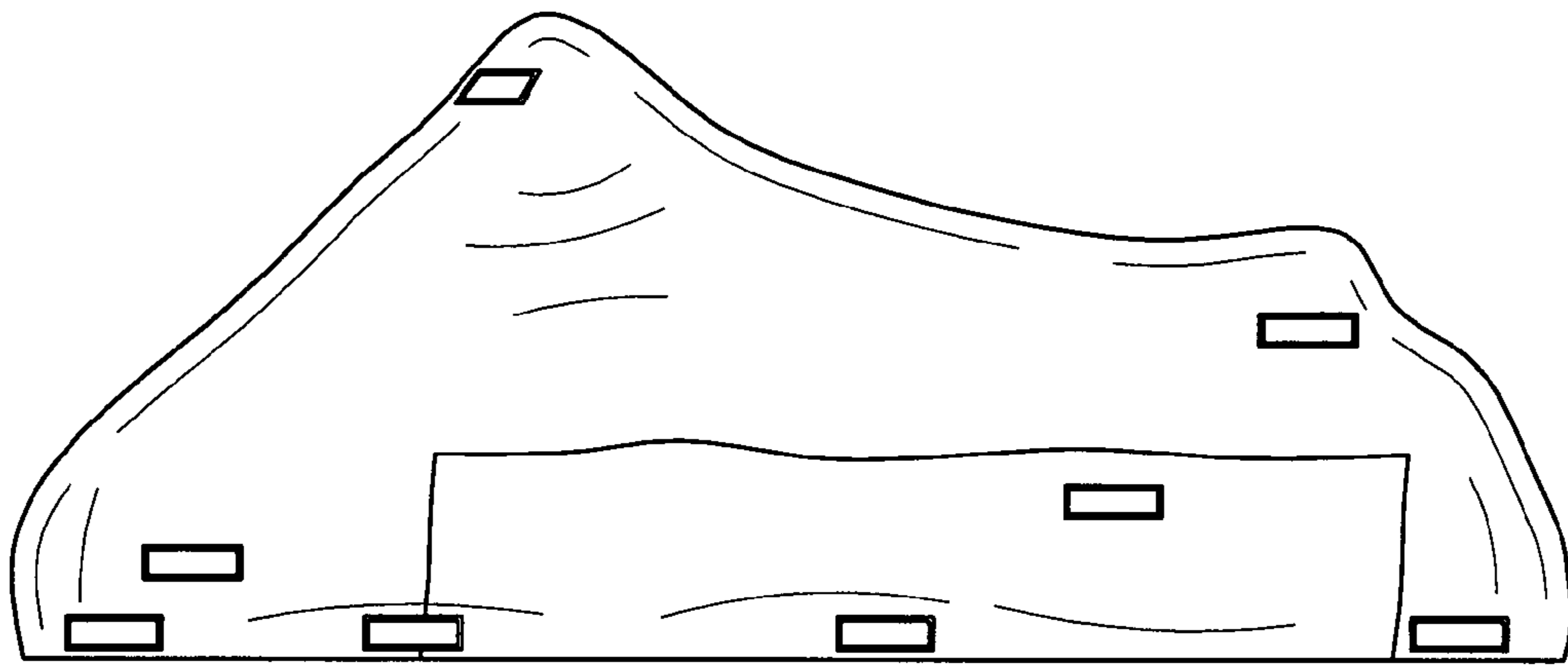


FIG. 1

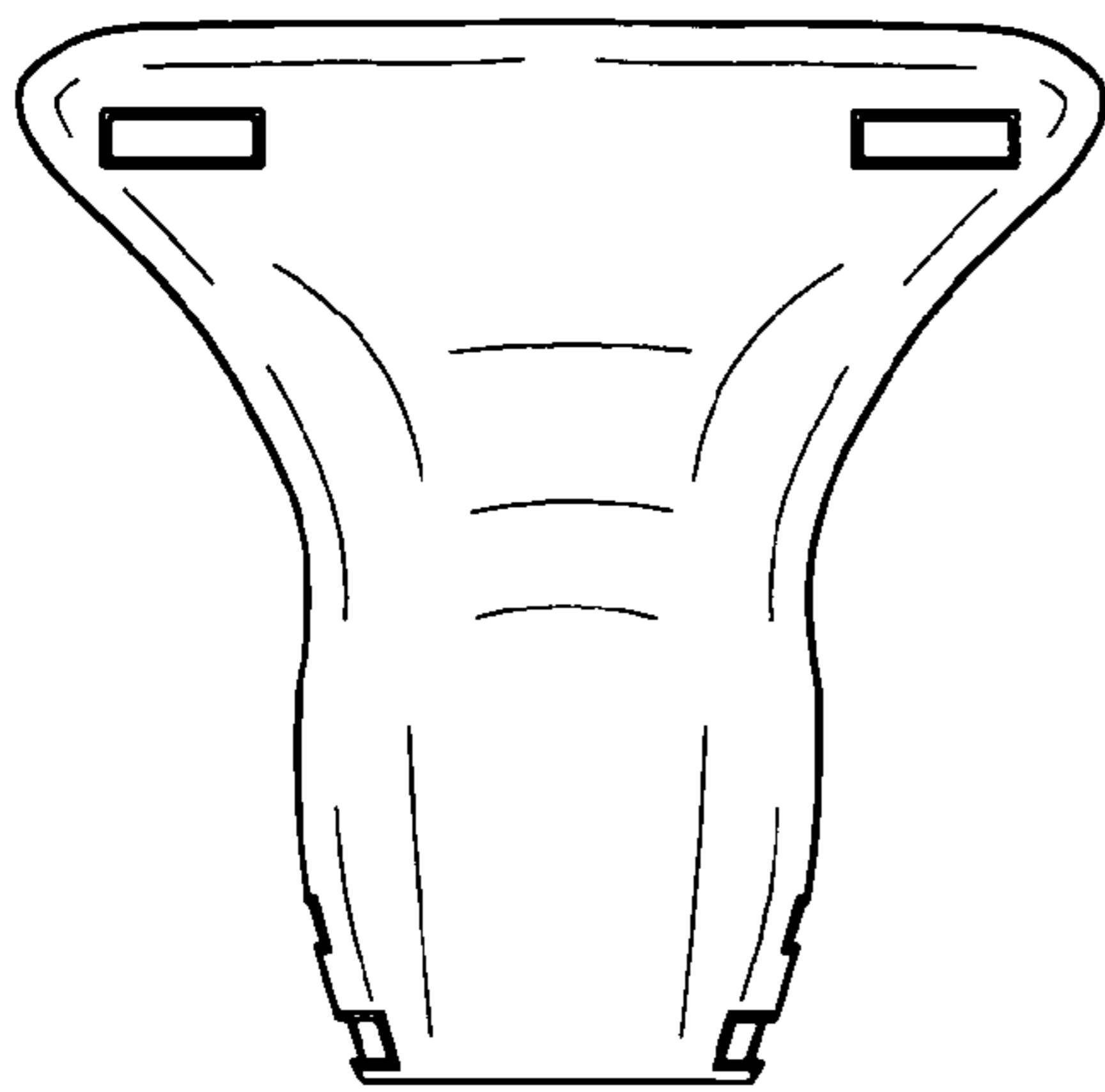


FIG. 2

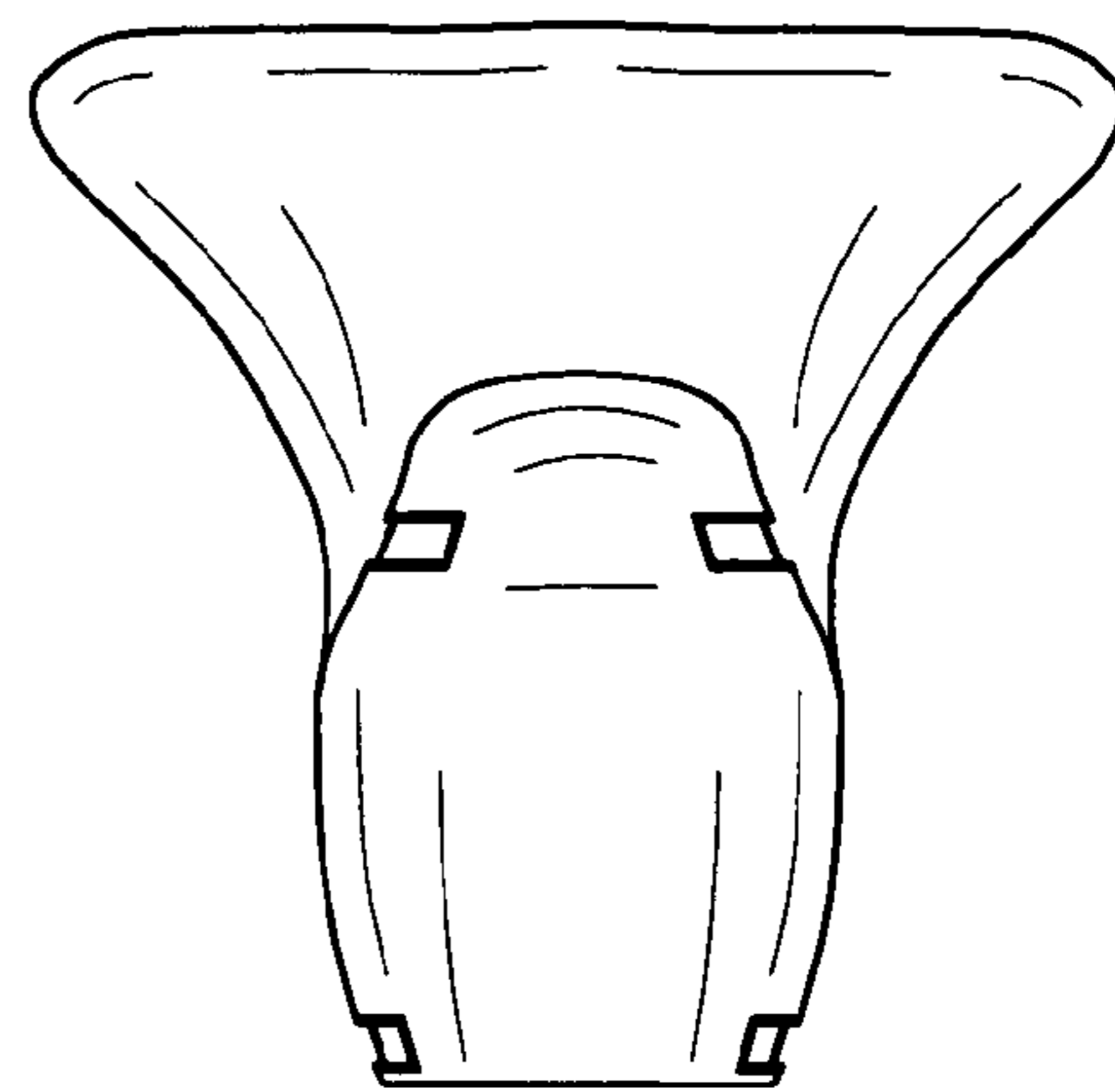


FIG. 3

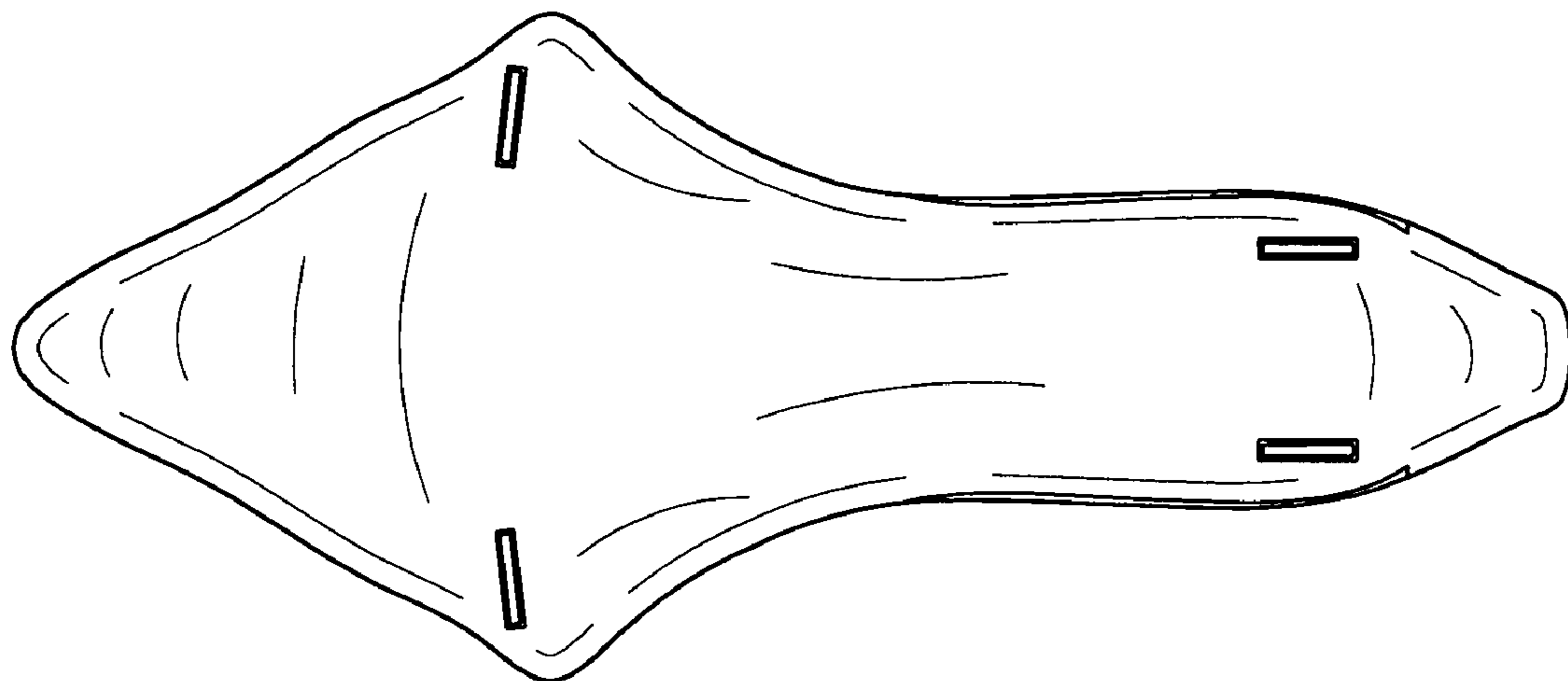


FIG. 4

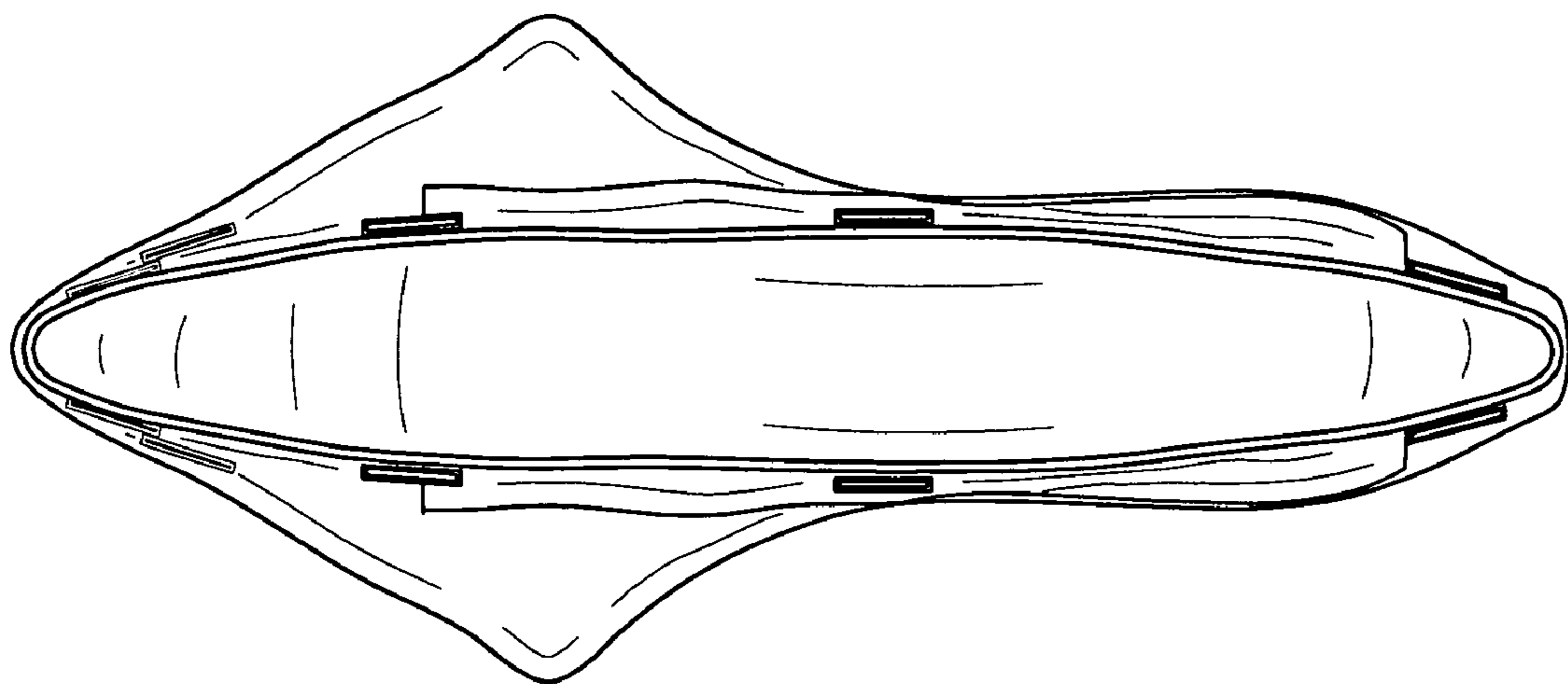


FIG. 5