



US00D588977S

(12) **United States Design Patent**  
**Bock**

(10) **Patent No.:** **US D588,977 S**

(45) **Date of Patent:** **\*\* Mar. 24, 2009**

(54) **AIRCRAFT CABIN WALL**

6,786,453 B2 \* 9/2004 Jones ..... 244/129.3

\* cited by examiner

(75) Inventor: **Thomas-Mathias Bock**, Grenade sur  
Garonne (FR)

*Primary Examiner*—Ian Simmons

*Assistant Examiner*—Dana L Sipos

(73) Assignee: **Airbus SAS**, Blagnac Cedex (FR)

(74) *Attorney, Agent, or Firm*—Osler, Hoskin & Harcourt  
LLP

(\*\*) Term: **14 Years**

(57) **CLAIM**

(21) Appl. No.: **29/295,713**

The ornamental design for an aircraft cabin wall, as shown  
and described.

(22) Filed: **Oct. 4, 2007**

(51) **LOC (9) Cl.** ..... **12-07**

(52) **U.S. Cl.** ..... **D12/345**

(58) **Field of Classification Search** ..... D12/317–319,  
D12/322–324, 326, 343, 345, 400, 183, 195;  
114/78, 189; D25/52; 244/117 R, 119, 126,  
244/129.1, 129.3

See application file for complete search history.

**DESCRIPTION**

FIG. 1 is a front and right side perspective view showing an  
aircraft cabin wall according to my new design;

FIG. 2 is a front elevation view thereof;

FIG. 3 is a left side elevation view thereof, the right side  
elevation view being a mirror image thereof; and,

FIG. 4 is a bottom plan view thereof.

Throughout the Figures, broken lines showing structure are  
for illustrative purposes only and form no part of the claimed  
design.

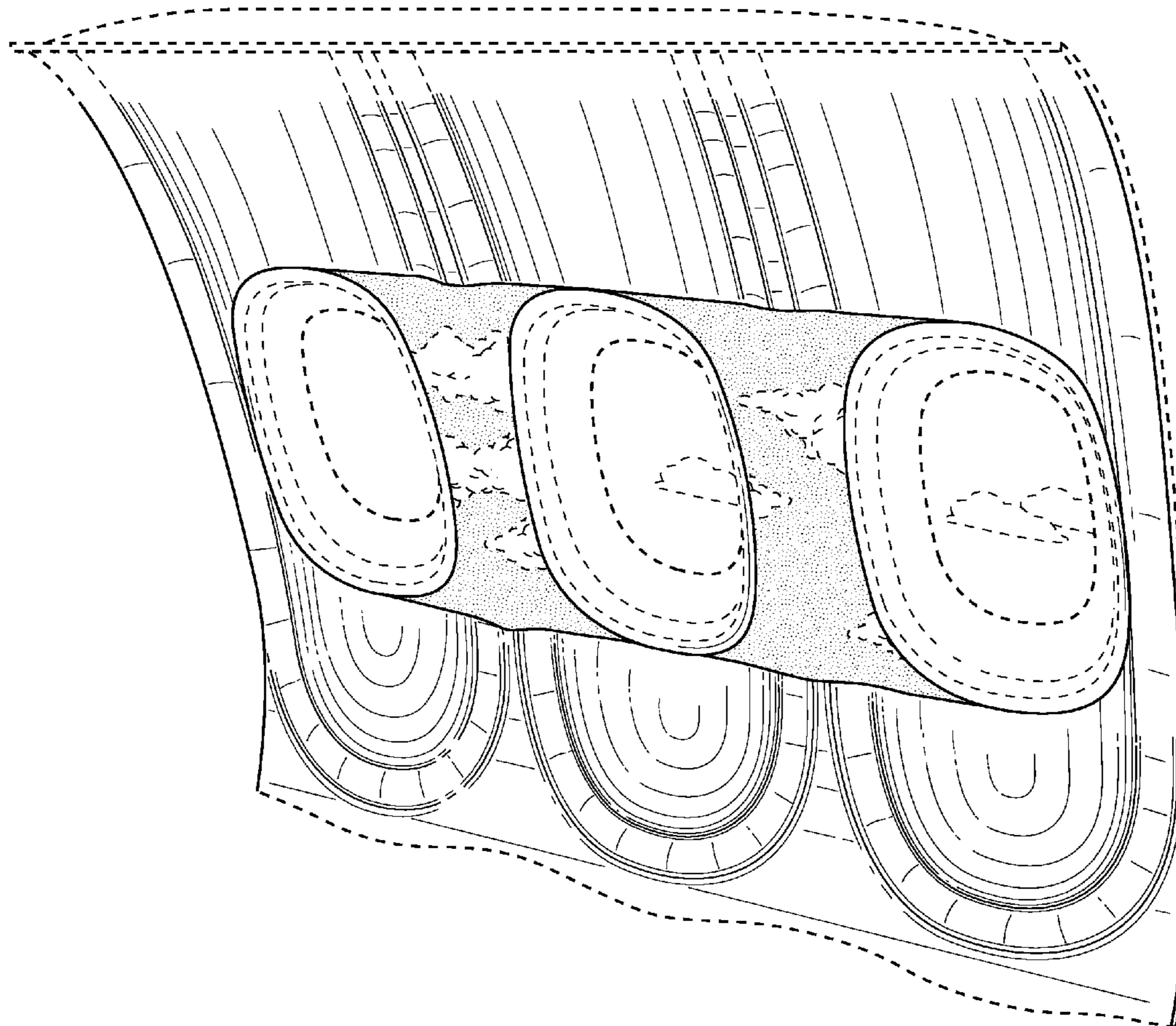
(56) **References Cited**

**U.S. PATENT DOCUMENTS**

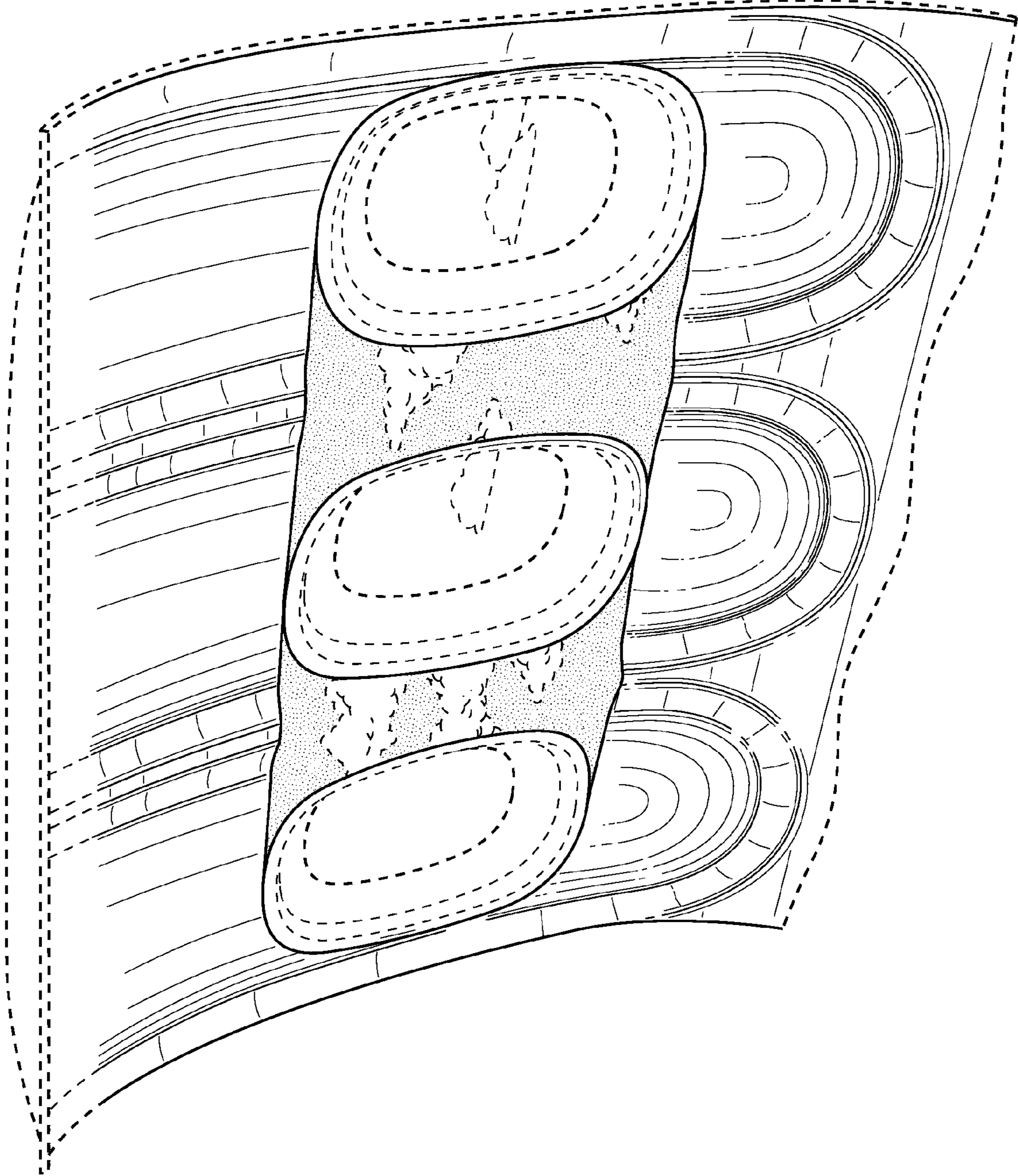
D463,357 S \* 9/2002 Granzeier et al. .... D12/345

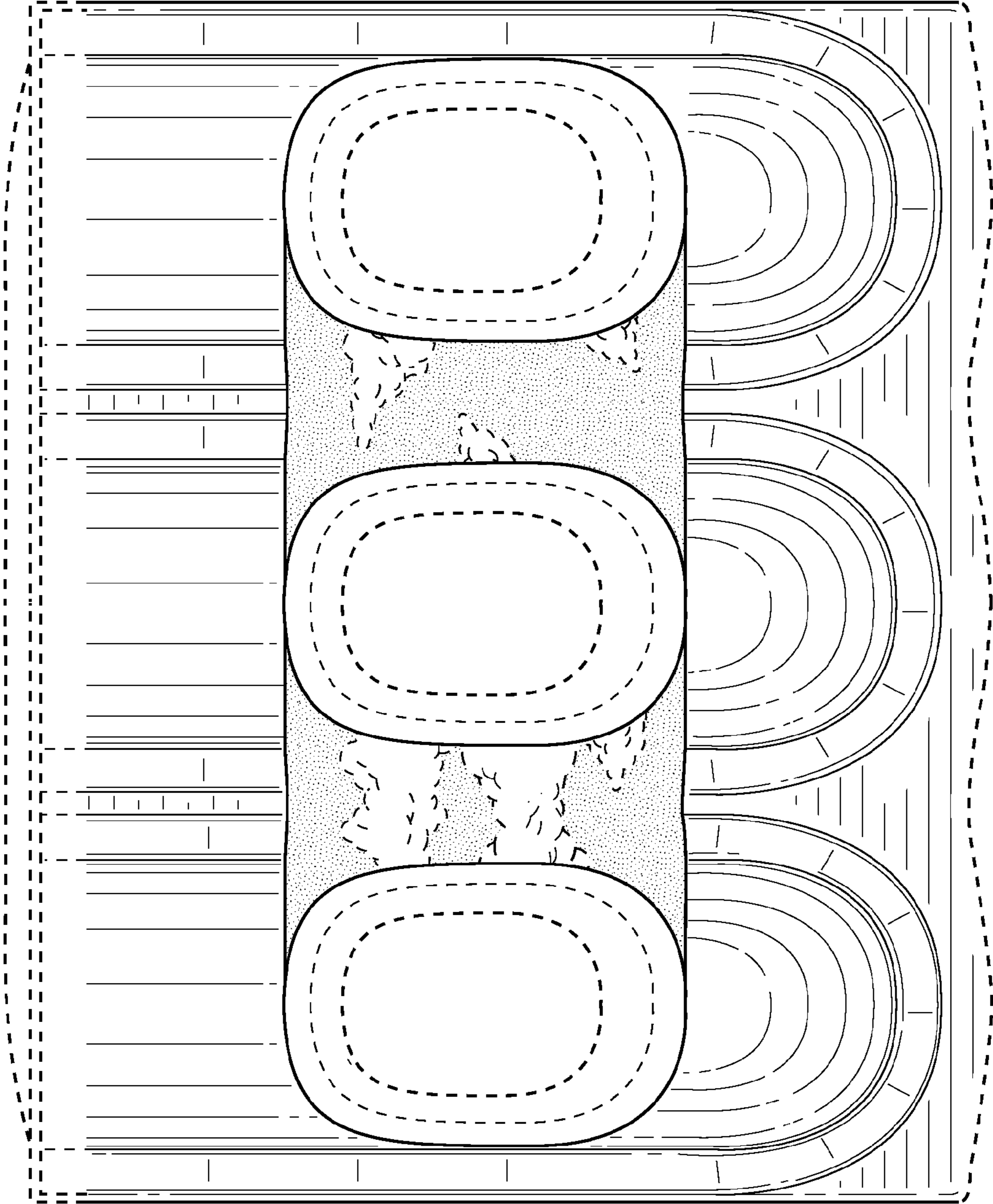
6,547,184 B2 \* 4/2003 Nieberle ..... 244/119

**1 Claim, 4 Drawing Sheets**

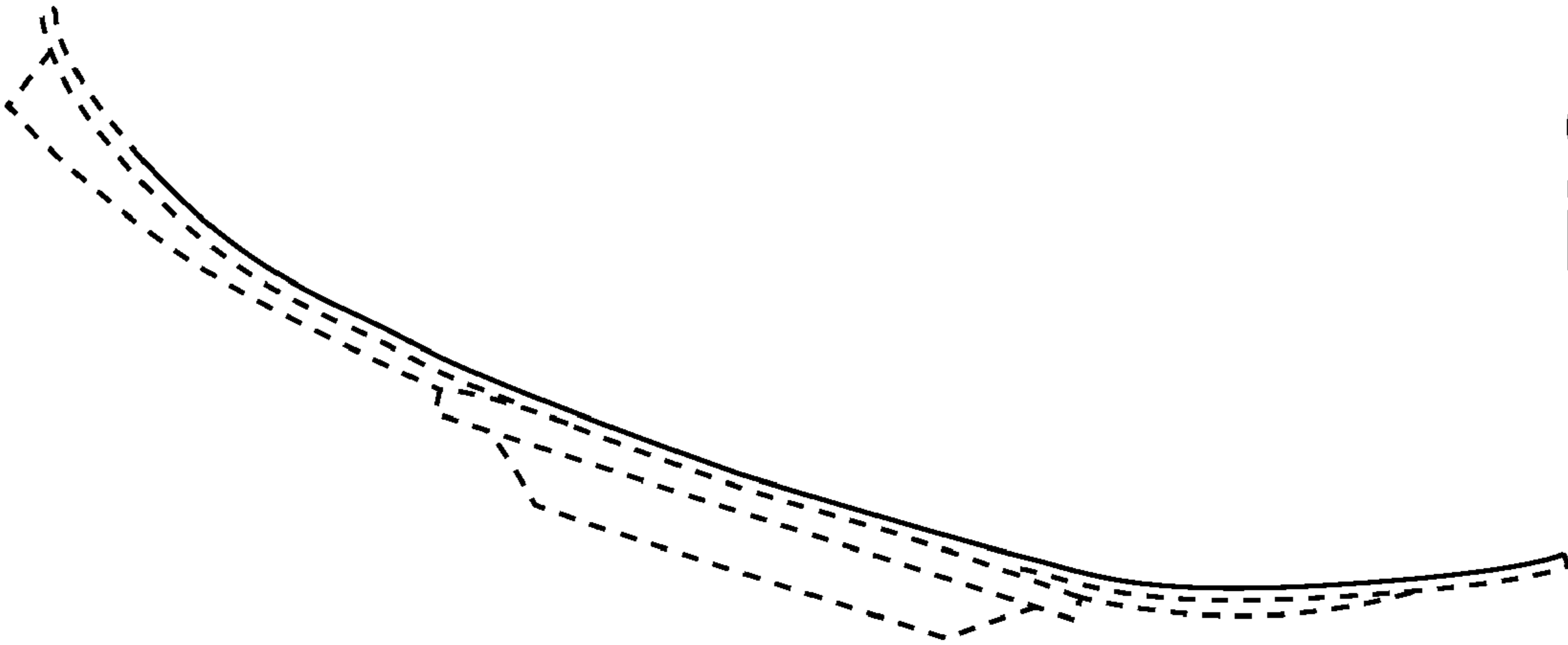


**FIG. 1**

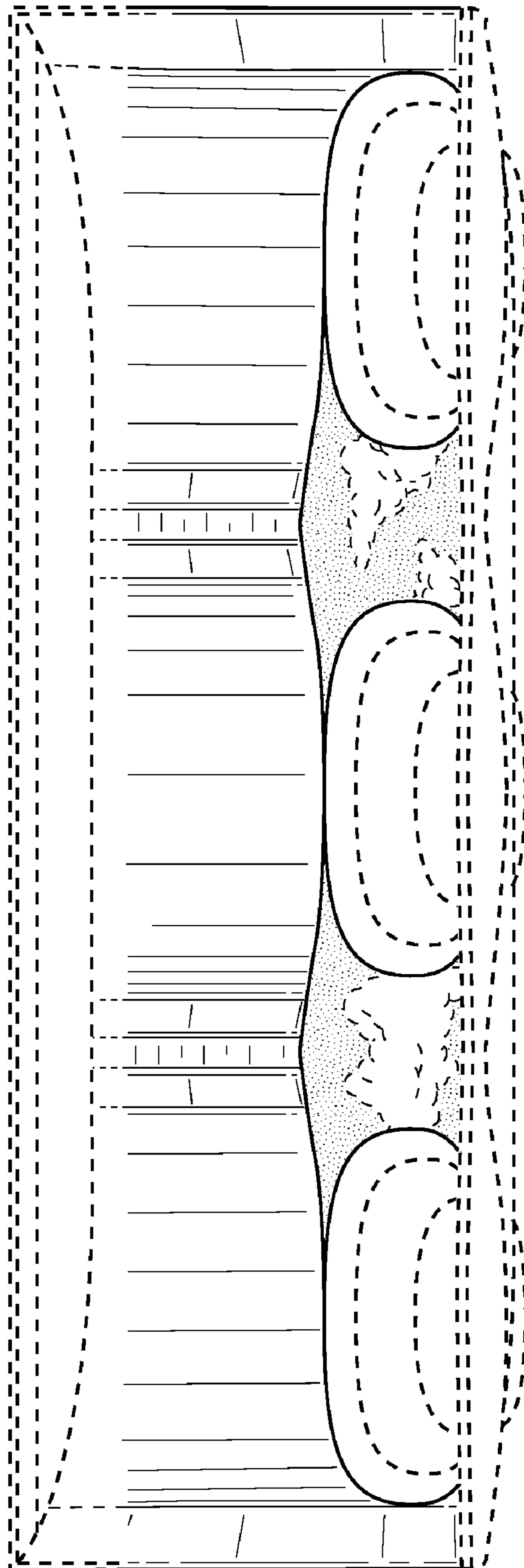




**FIG. 2**



**FIG. 3**



**FIG. 4**