



US00D588976S

(12) **United States Design Patent**  
**Westra et al.**

(10) **Patent No.:** **US D588,976 S**  
(45) **Date of Patent:** **\*\* Mar. 24, 2009**

(54) **FLYING WING AIRCRAFT WITH CANARD**

(75) Inventors: **Bryan Wayne Westra**, LaPalma, CA (US); **Roxanne Marie Sato**, Rancho Palos Verdes, CA (US); **Douglas Ellwood Shultz**, La Habra, CA (US); **James Franklin Kerswell**, Los Angeles, CA (US); **Perry Bruce Petersen**, Pinehurst, NC (US); **Scott Walter Collins**, Upland, CA (US)

(73) Assignee: **Northrop Gumman Corporation**, Los Angeles, CA (US)

(\*\*) Term: **14 Years**

(21) Appl. No.: **29/293,750**

(22) Filed: **Dec. 11, 2007**

(51) **LOC (9) Cl.** ..... **12-12**

(52) **U.S. Cl.** ..... **D12/319**

(58) **Field of Classification Search** ..... D12/319,  
D12/343, 345, 333; 244/45 R, 45 A, 13,  
244/15, 215

See application file for complete search history.

(56) **References Cited**

U.S. PATENT DOCUMENTS

D314,366 S \* 2/1991 Waaland et al. .... D12/333  
D508,013 S \* 8/2005 Rihn et al. .... D12/319

\* cited by examiner

*Primary Examiner*—Lisa P Lichtenstein  
(74) *Attorney, Agent, or Firm*—Louis L. Dachs

(57) **CLAIM**

The ornamental design for a flying wing aircraft with canard, as shown and described.

**DESCRIPTION**

FIG. 1 a perspective view of the flying wing aircraft with canard looking down from the nose downward.

FIG. 2 is a side view of the aircraft.

FIG. 3 is a front view of the aircraft.

FIG. 4 is a rear view of the aircraft.

FIG. 5 is a reduced top view of the aircraft; and,

FIG. 6 is a reduced bottom view of the aircraft.

**1 Claim, 4 Drawing Sheets**

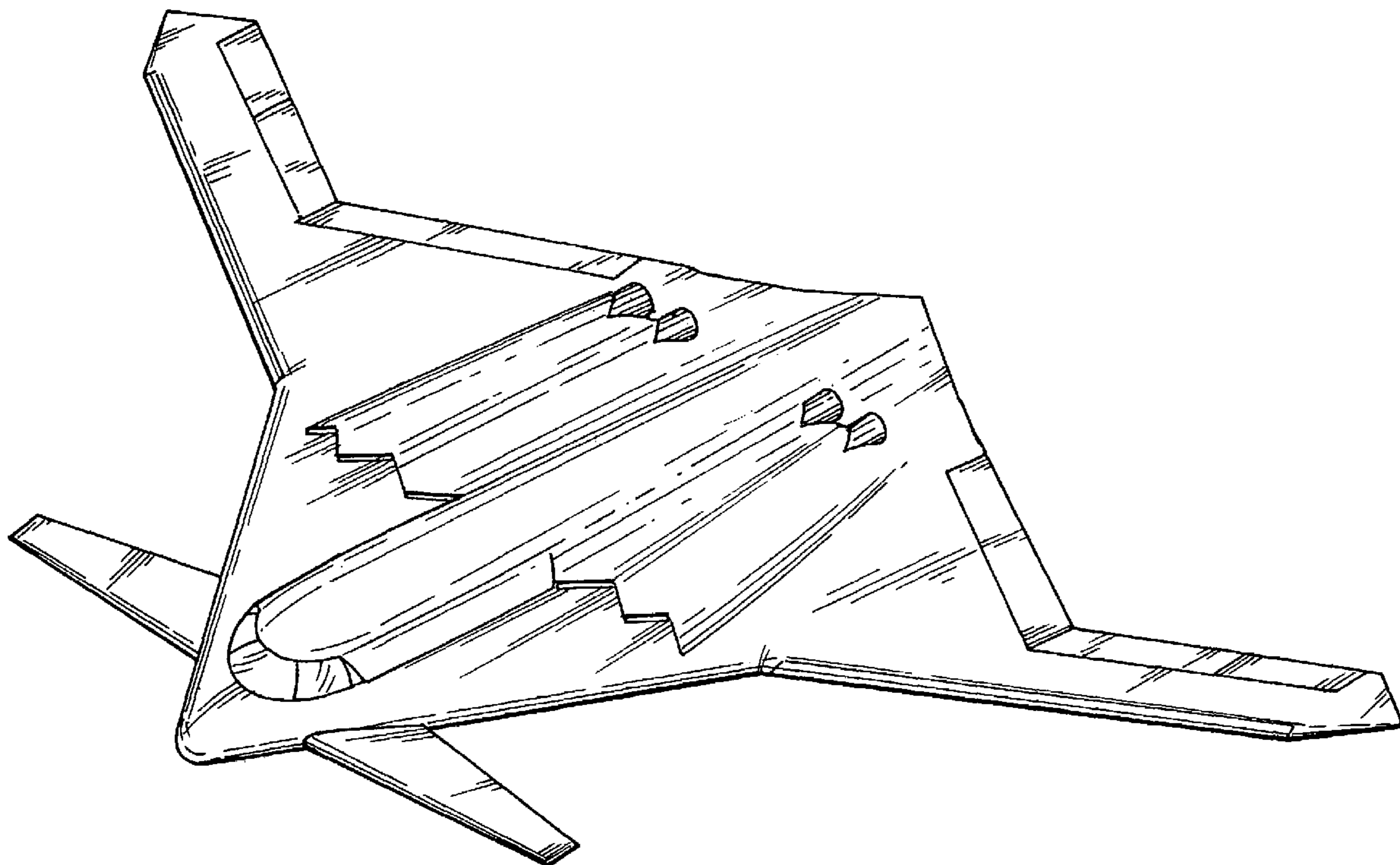


FIG. 1

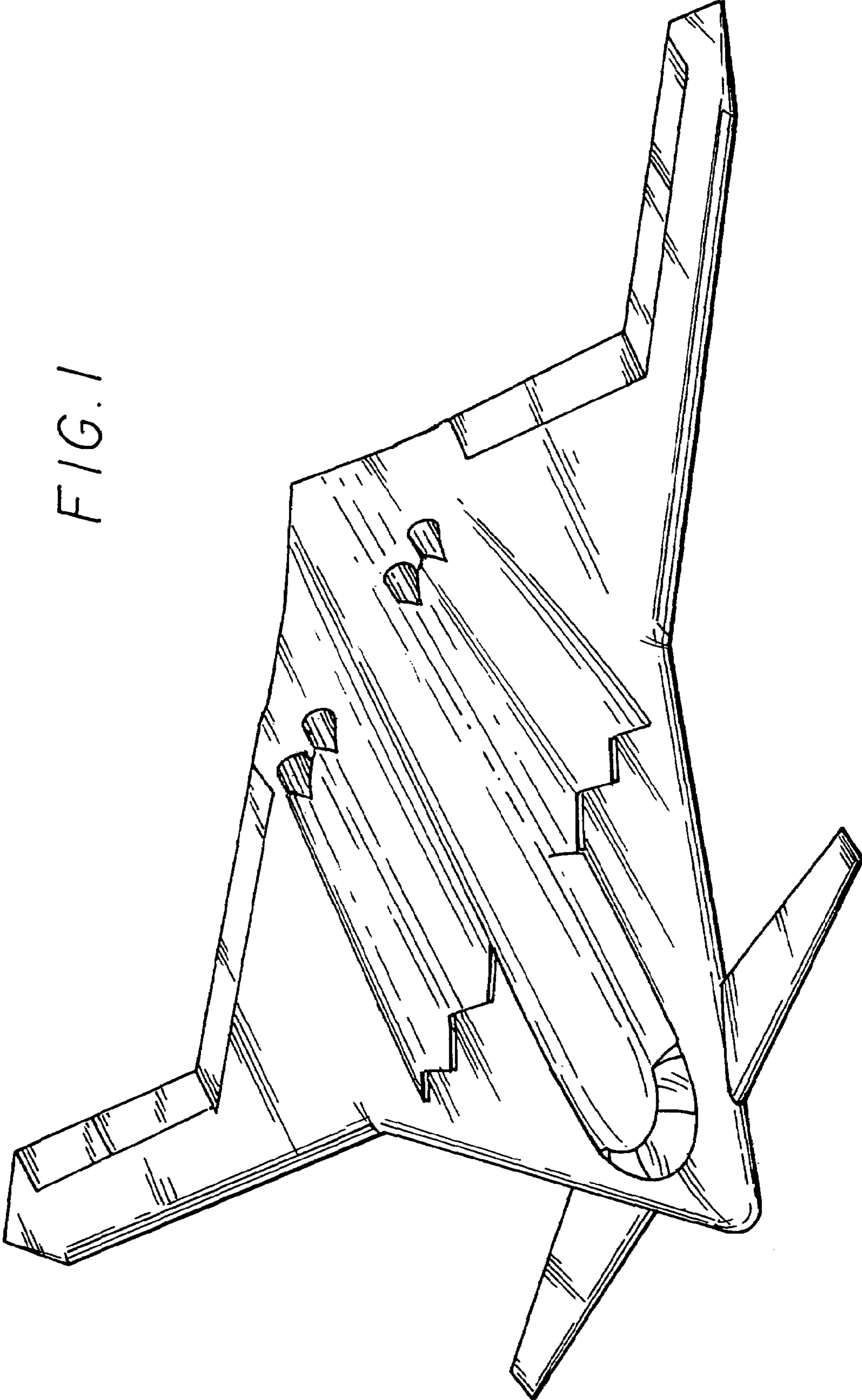




FIG. 2



FIG. 3



FIG. 4

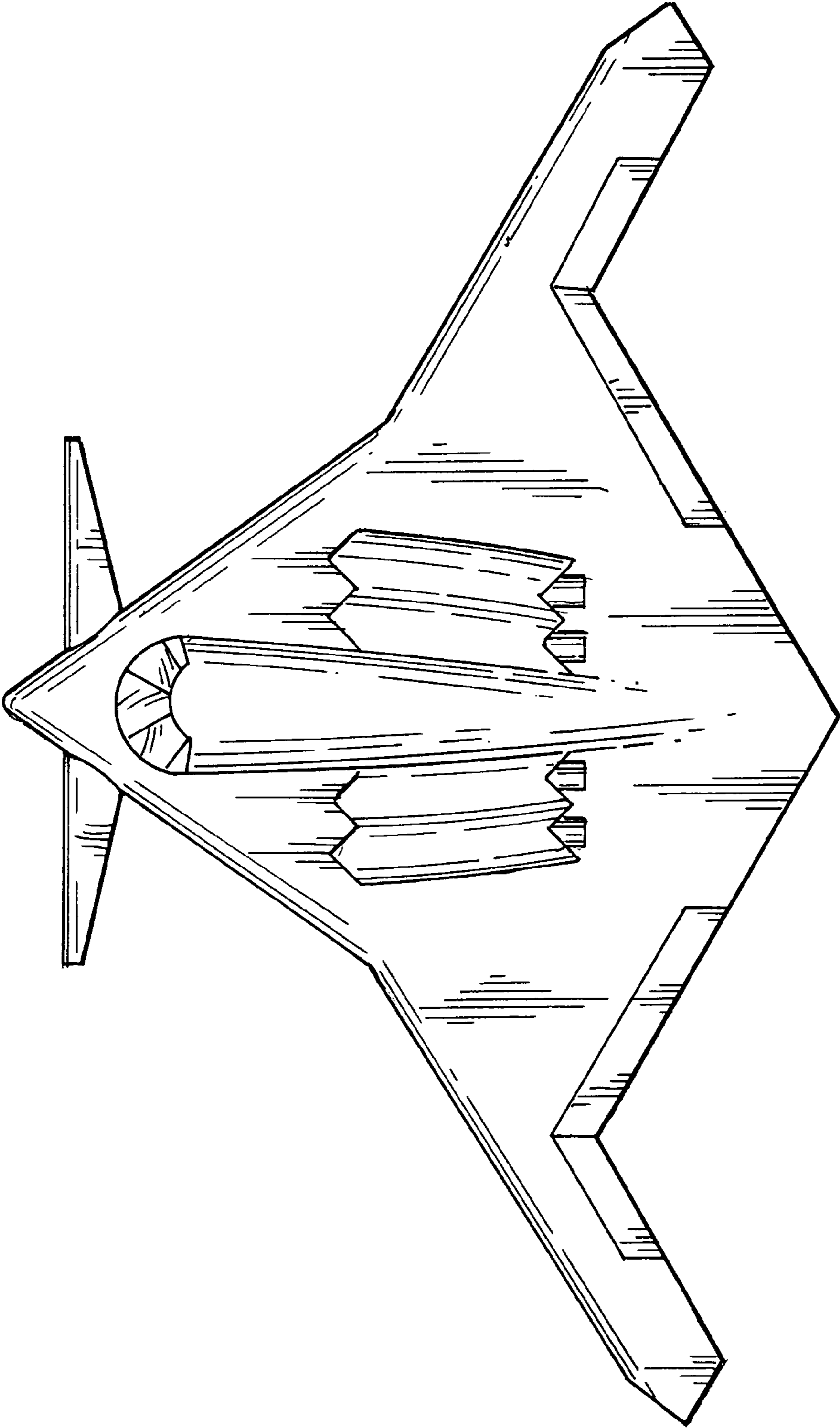


FIG. 5

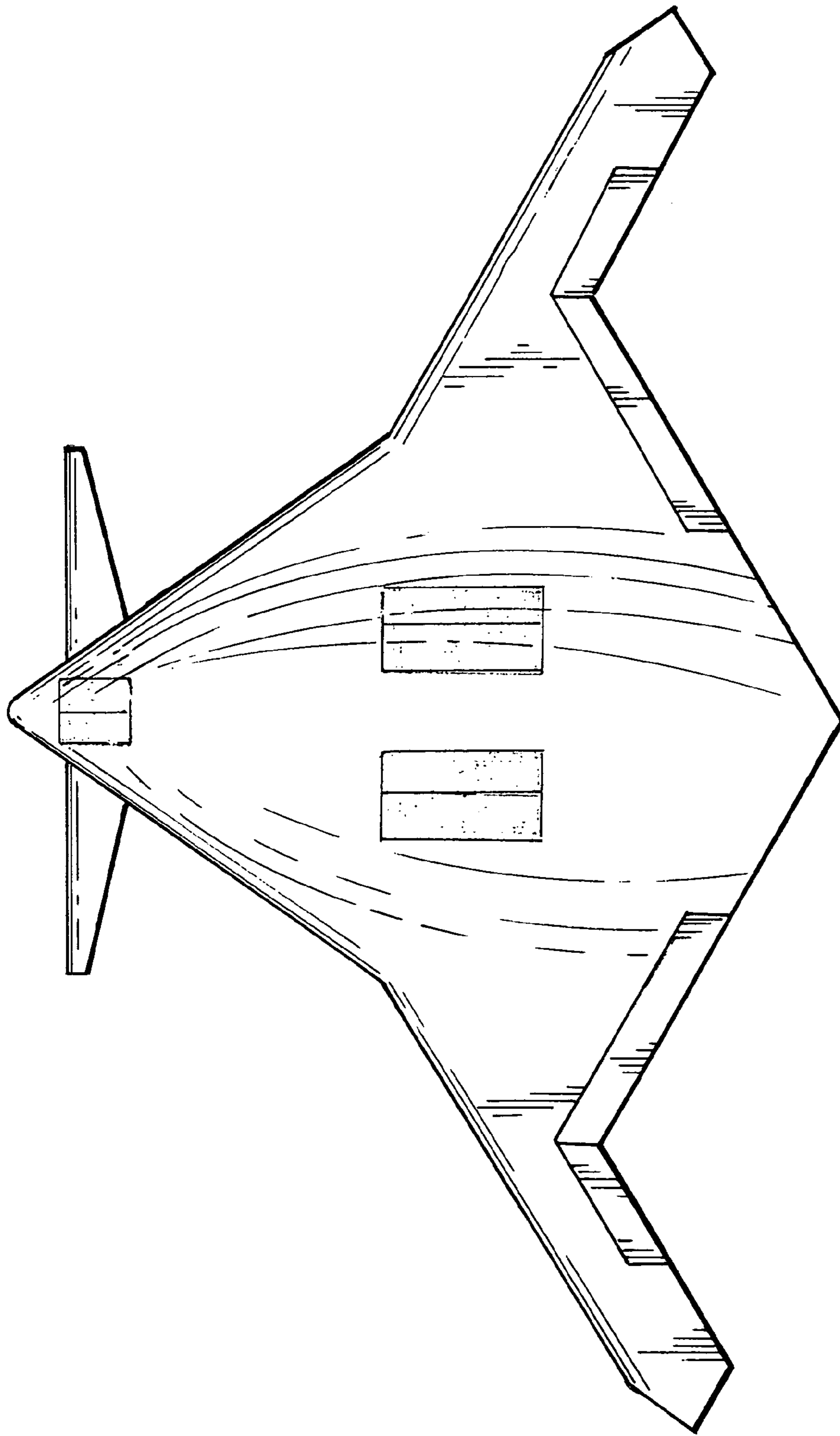


FIG. 6