



US00D588964S

(12) **United States Design Patent**
Matsuoka et al.

(10) **Patent No.:** **US D588,964 S**
(45) **Date of Patent:** **** Mar. 24, 2009**

(54) **AUTOMOBILE FRONT END**

D559,754 S * 1/2008 Murkett D12/196
D572,636 S * 7/2008 Hayashi et al. D12/164

(75) Inventors: **Ryosuke Matsuoka**, Tokyo (JP); **Omer Halilhodzic**, Mainz (DE)

* cited by examiner

(73) Assignee: **Mitsubishi Jidosha Kogyo Kabushiki Kaisha**, Tokyo (JP)

Primary Examiner—Melody N Brown

(74) *Attorney, Agent, or Firm*—Birch, Stewart, Kolasch & Birch, LLP

(**) Term: **14 Years**

(57) **CLAIM**

(21) Appl. No.: **29/304,567**

The ornamental design for an automobile front end, as shown and described.

(22) Filed: **Mar. 4, 2008**

(30) **Foreign Application Priority Data**

Sep. 5, 2007 (JP) 2007-024186

DESCRIPTION

FIG. 1 is a perspective view of the front, right and top of an automobile front end showing our new design;

(51) **LOC (9) Cl.** **12-16**

(52) **U.S. Cl.** **D12/164; D12/196**

(58) **Field of Classification Search** D12/164,
D12/196, 90-92, 86; 296/181.1, 181.5
See application file for complete search history.

FIG. 2 is a perspective view of the rear, right and top thereof;

FIG. 3 is a front view thereof;

FIG. 4 is a rear view thereof;

FIG. 5 is a left side view thereof;

FIG. 6 is a right side view thereof; and,

FIG. 7 is a top plan view thereof.

The elements shown in broken lines are for illustrative purposes only and form no part of the claimed design.

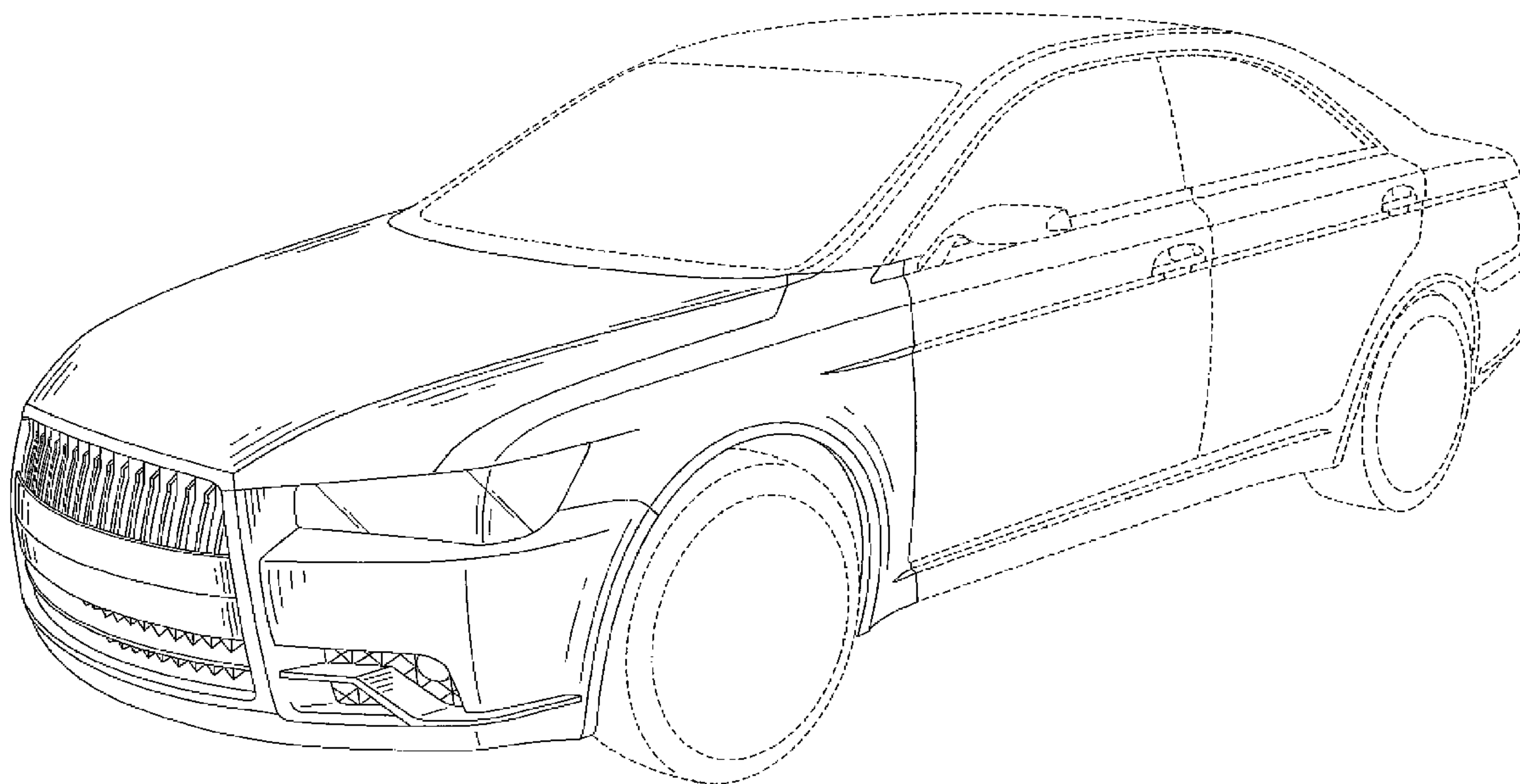
(56) **References Cited**

U.S. PATENT DOCUMENTS

D525,566 S * 7/2006 Thole D12/92

D555,042 S * 11/2007 Davidson D12/92

1 Claim, 6 Drawing Sheets



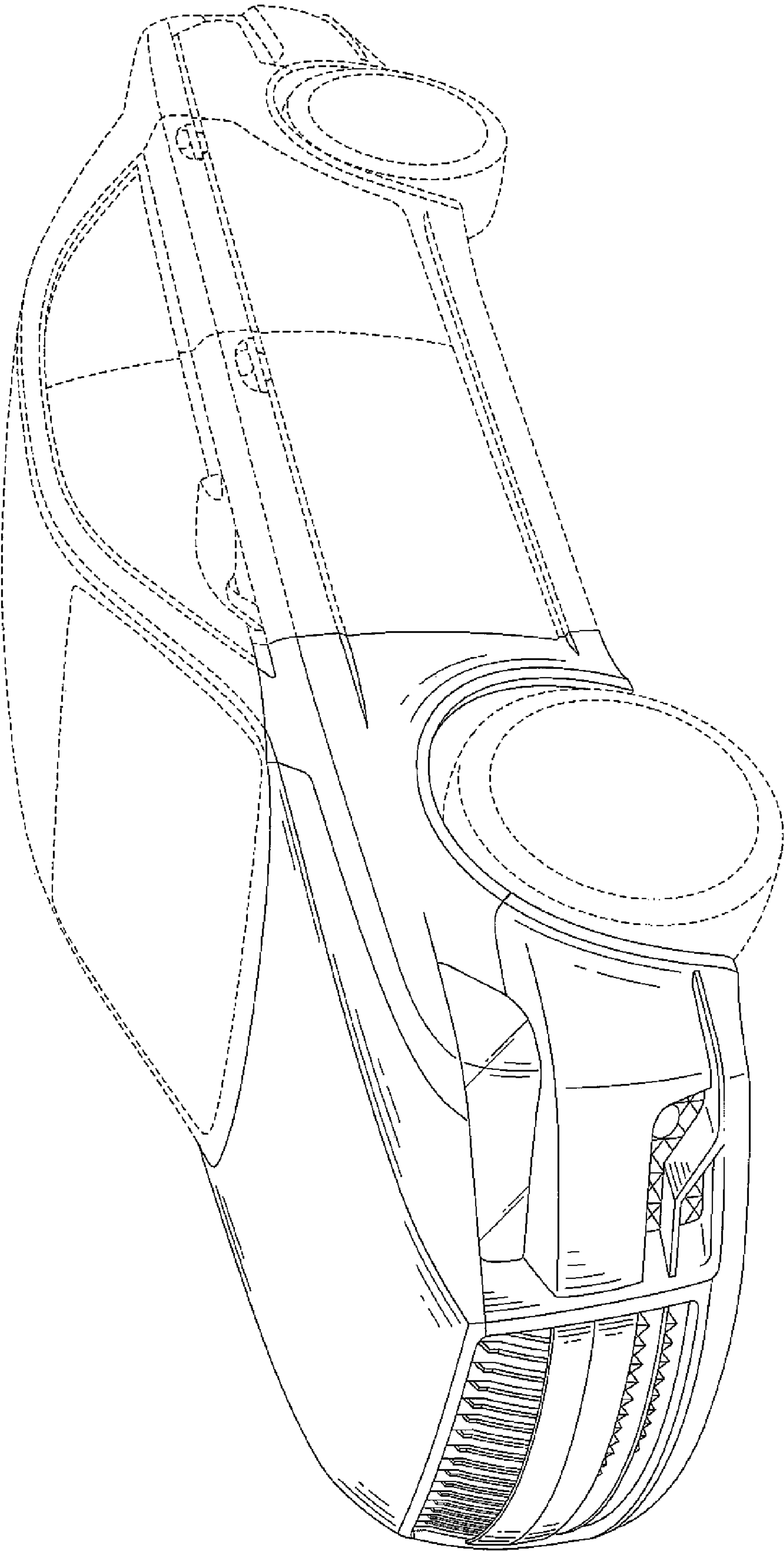


FIG. 1

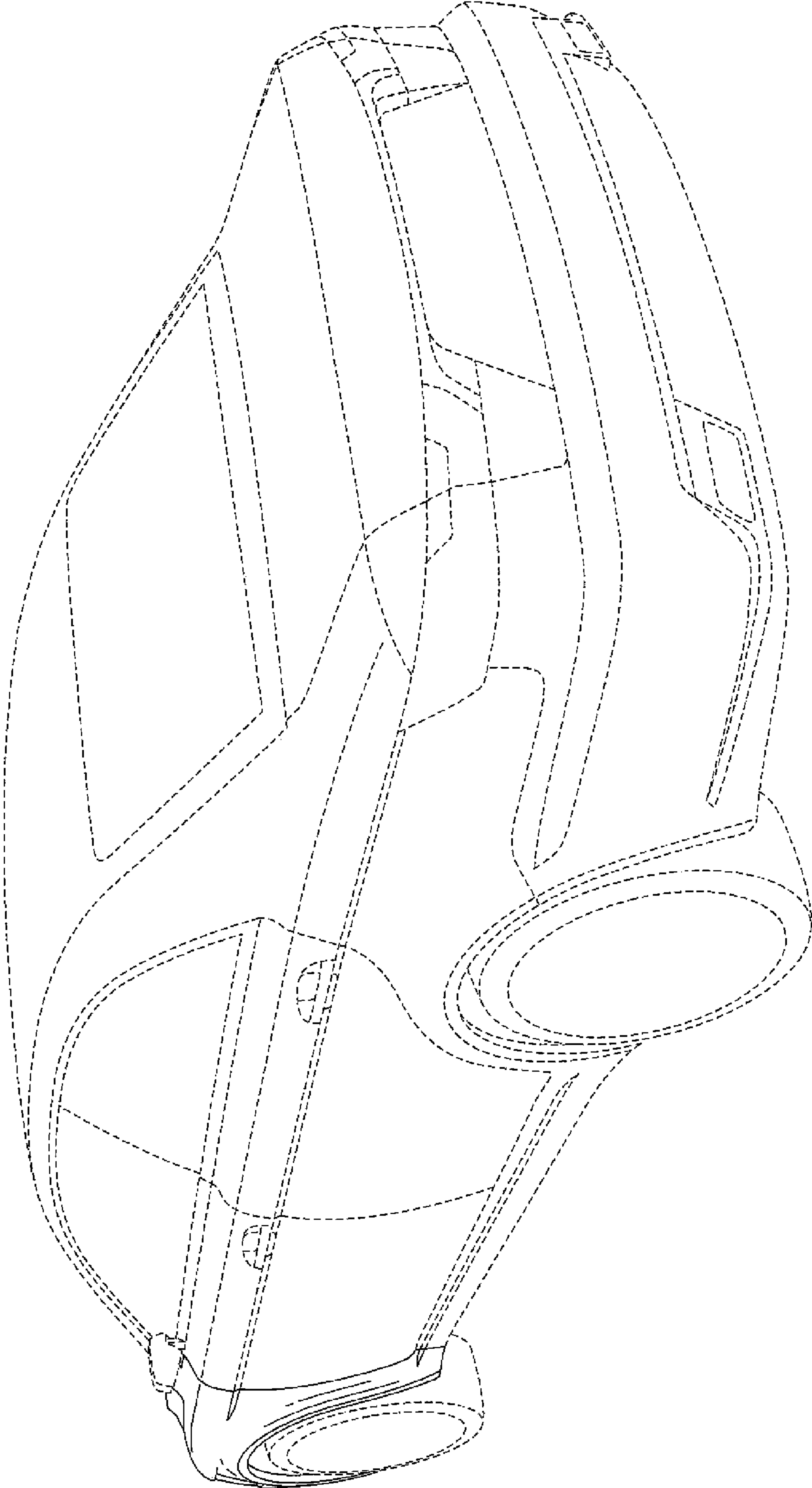


FIG. 2

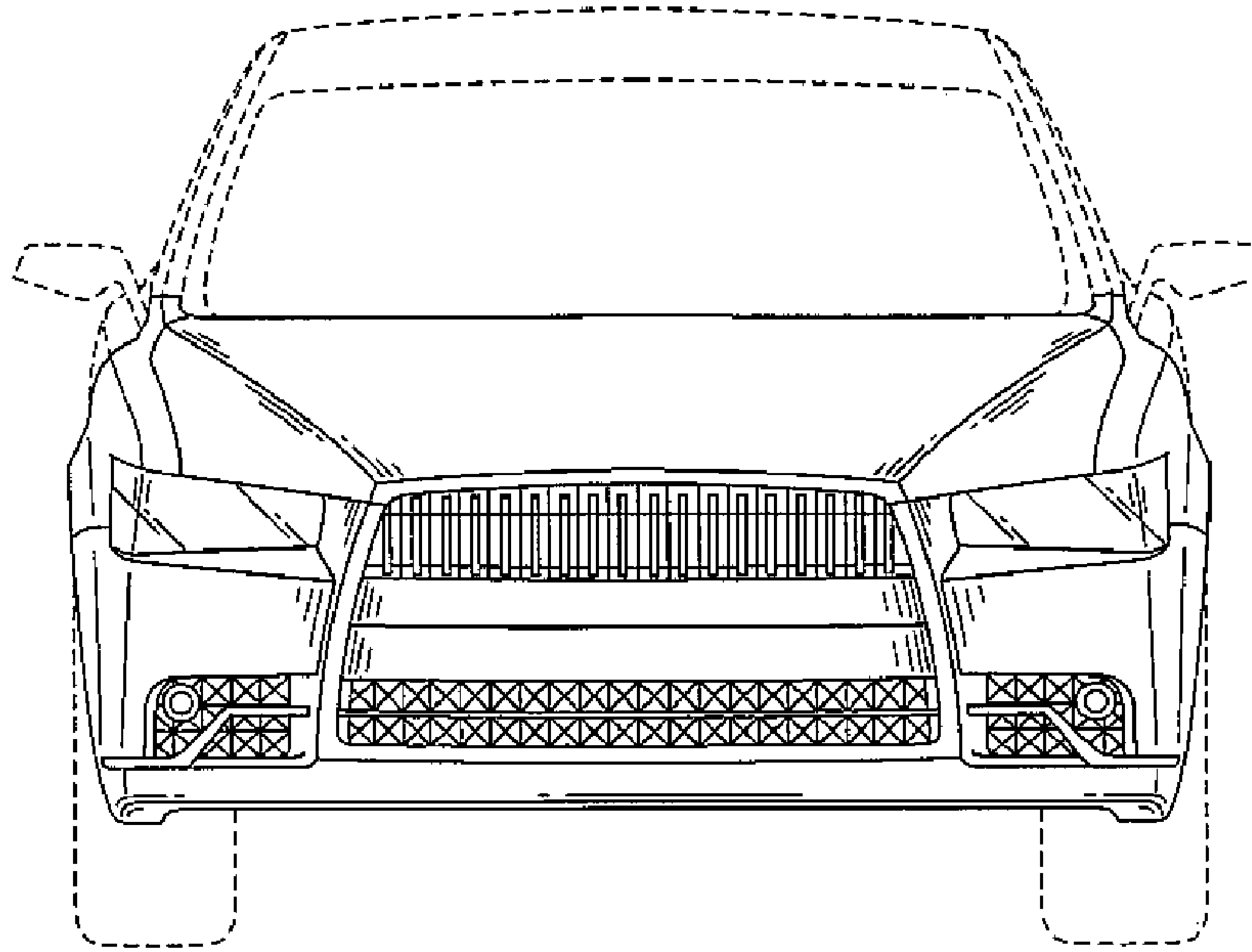


FIG. 3

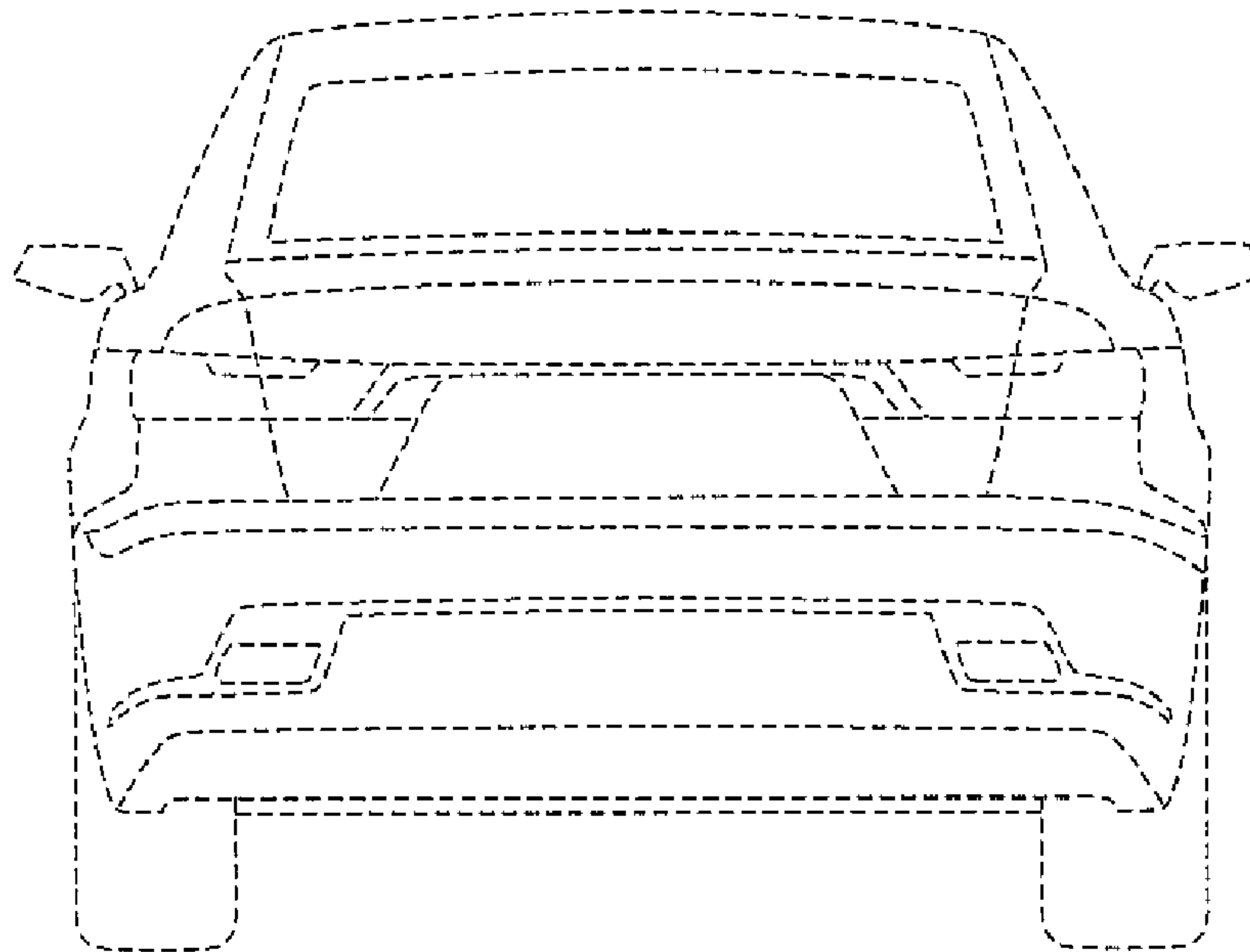


FIG. 4

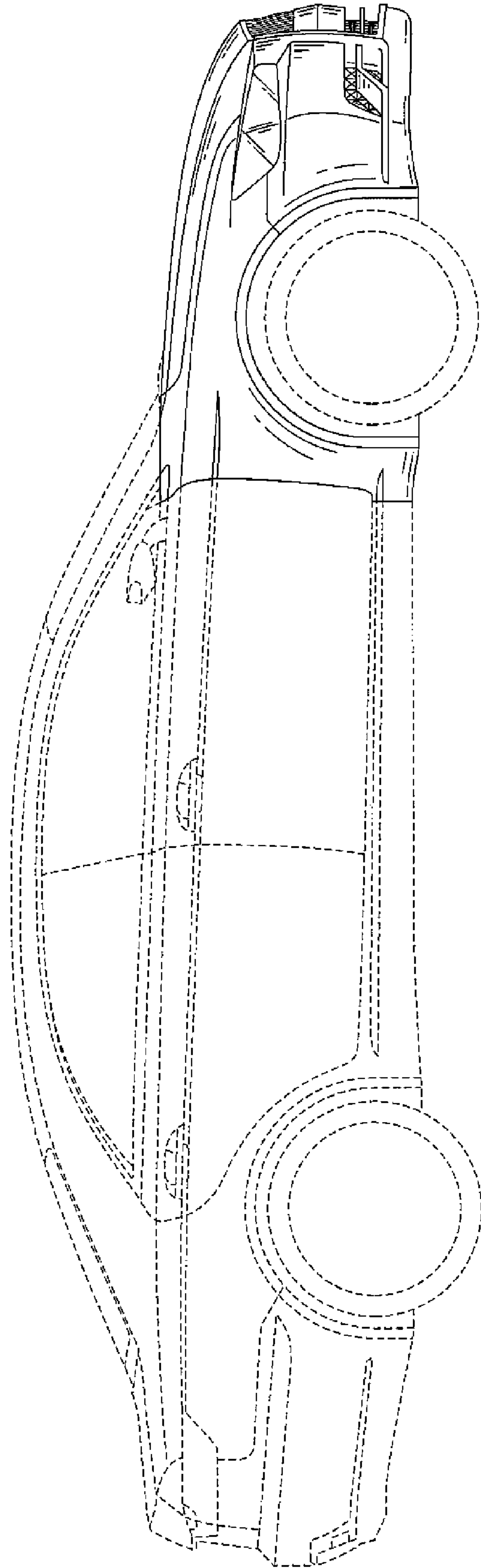


FIG. 5

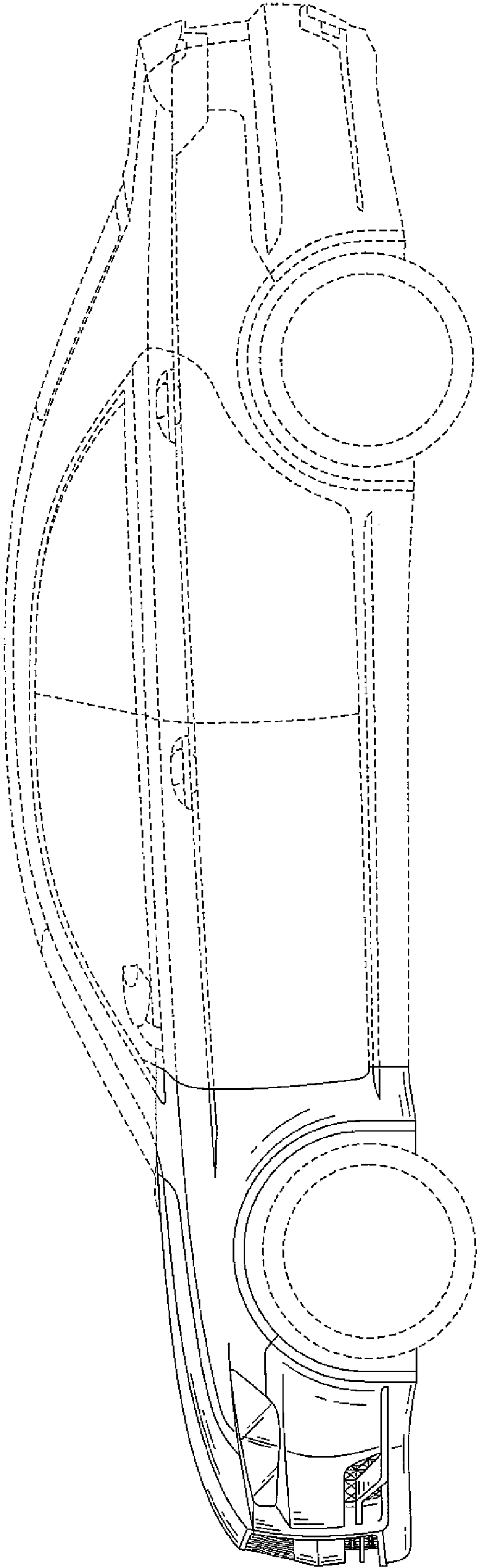


FIG. 6

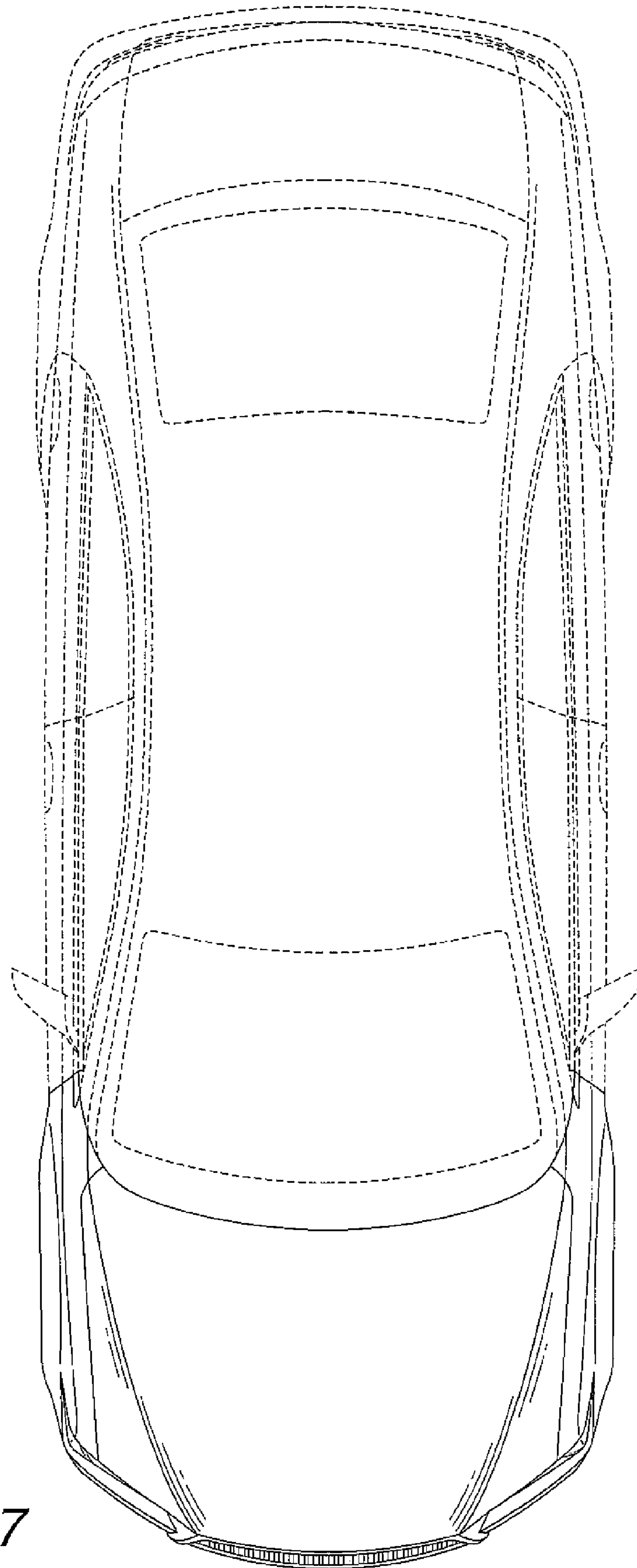


FIG. 7