



US00D588961S

(12) **United States Design Patent**
Tanaka et al.

(10) **Patent No.:** **US D588,961 S**
(45) **Date of Patent:** **** Mar. 24, 2009**

(54) **MOTORCYCLE**

(75) Inventors: **Shunji Tanaka**, Kobe (JP); **Norikazu Matsumura**, Akashi (JP); **Toshiya Furuta**, Kobe (JP); **Kiyoto Hiwada**, Kobe (JP)

(73) Assignee: **Kawasaki Jukogyo Kabushiki Kaisha**, Hyogo (JP)

(**) Term: **14 Years**

(21) Appl. No.: **29/304,668**

(22) Filed: **Mar. 5, 2008**

(30) **Foreign Application Priority Data**
Sep. 10, 2007 (JP) 2007-024572

(51) **LOC (9) Cl.** **12-11**

(52) **U.S. Cl.** **D12/110**

(58) **Field of Classification Search** D12/110;
180/219, 220, 225, 229

See application file for complete search history.

(56) **References Cited**

U.S. PATENT DOCUMENTS

D457,836 S * 5/2002 Kohama et al. D12/110

D496,309 S * 9/2004 Fukumoto et al. D12/110
D504,844 S * 5/2005 Sasanami D12/110
D517,958 S * 3/2006 Matsumura et al. D12/110
D559,156 S * 1/2008 Uemoto et al. D12/110

* cited by examiner

Primary Examiner—Cathron C Brooks
Assistant Examiner—Linda Brooks

(57) **CLAIM**

The ornamental design for a motorcycle, as shown and described.

DESCRIPTION

FIG. 1 is a front elevational view of a motorcycle showing our new design;

FIG. 2 is a rear elevational view thereof;

FIG. 3 is a left side elevational view thereof;

FIG. 4 is a right side elevational view thereof;

FIG. 5 is a top plan view thereof; and,

FIG. 6 is a bottom plan view thereof.

The portions shown in broken lines form no part of the claimed design.

1 Claim, 6 Drawing Sheets

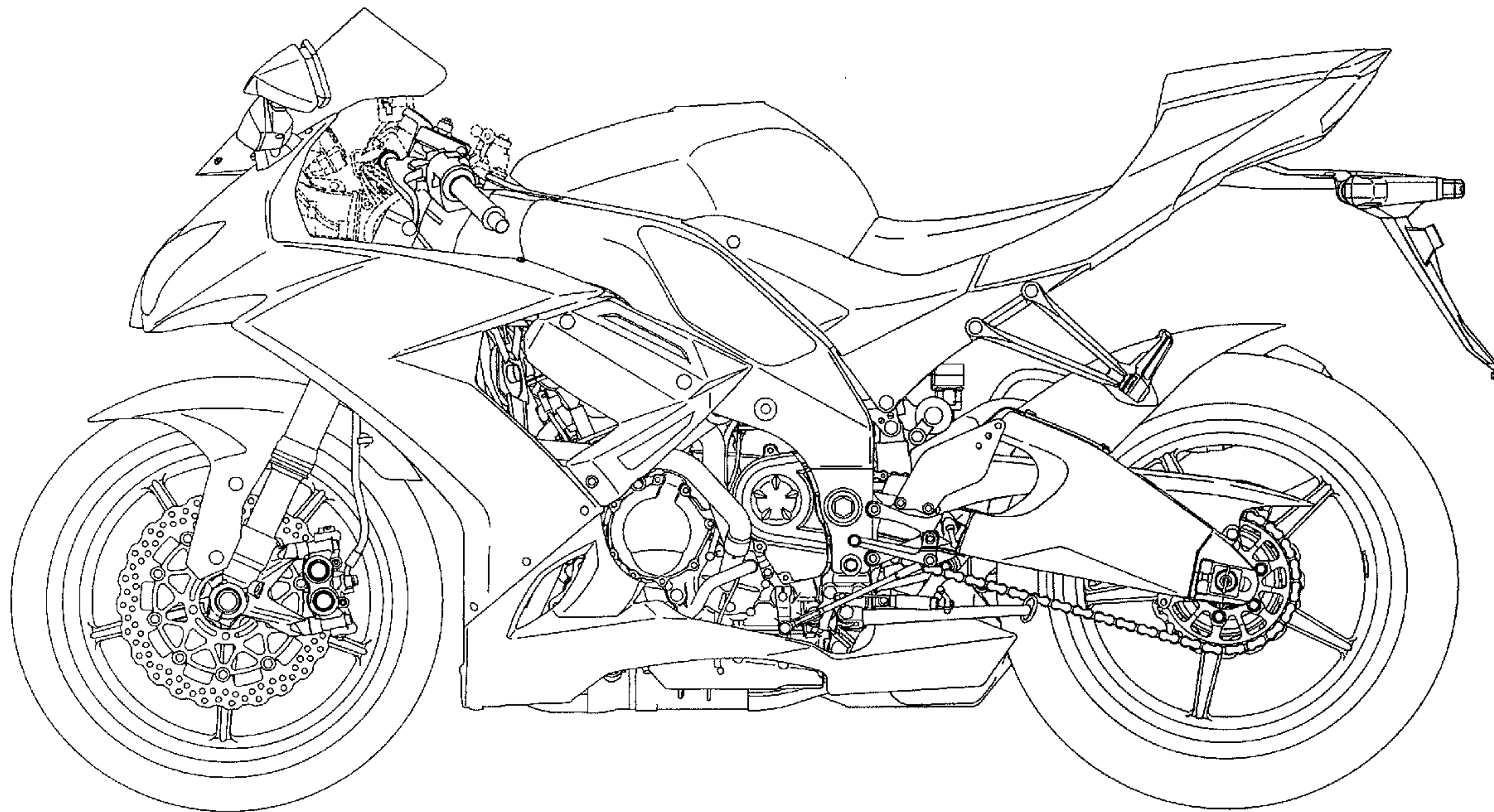


Fig.1

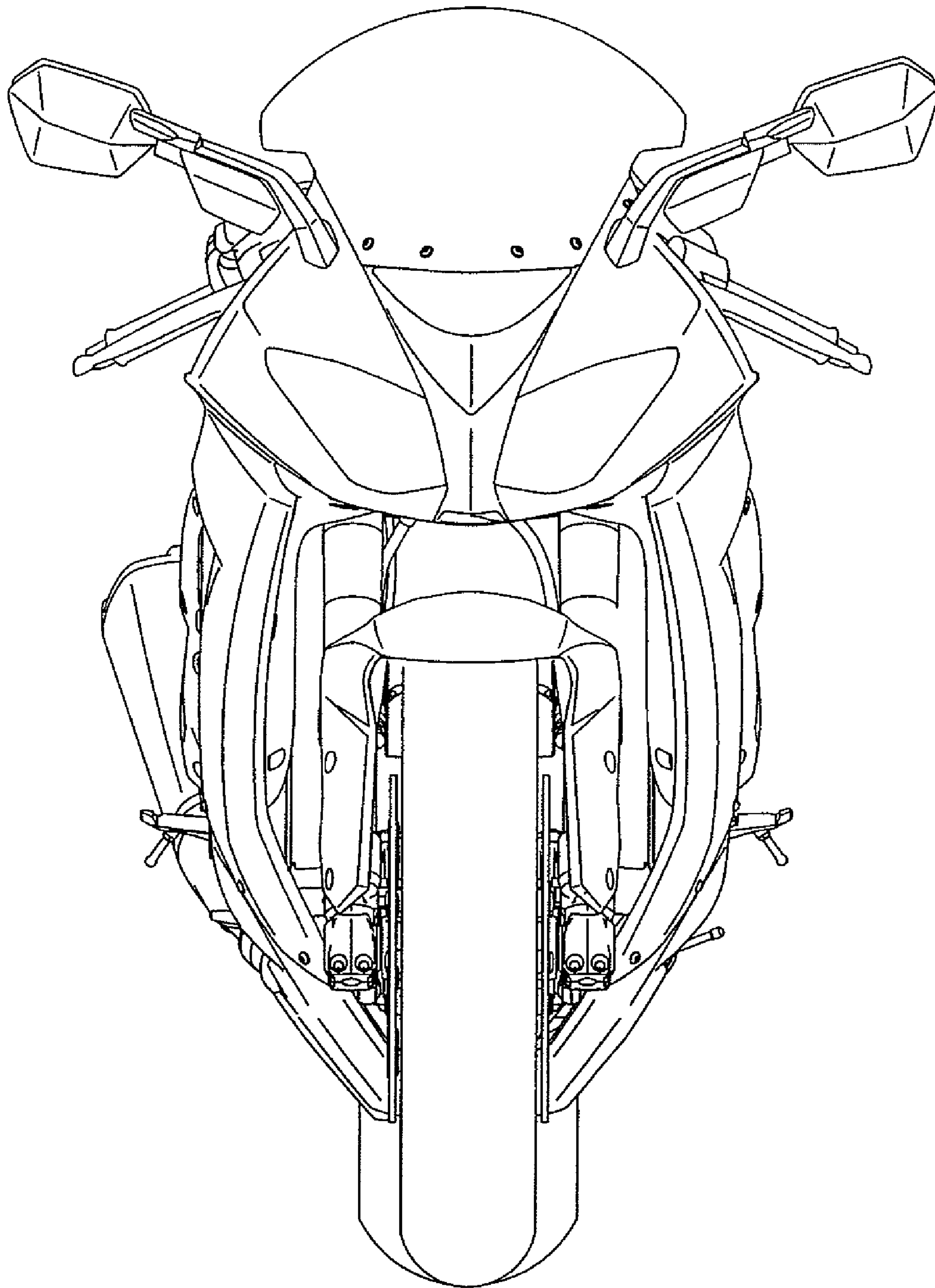
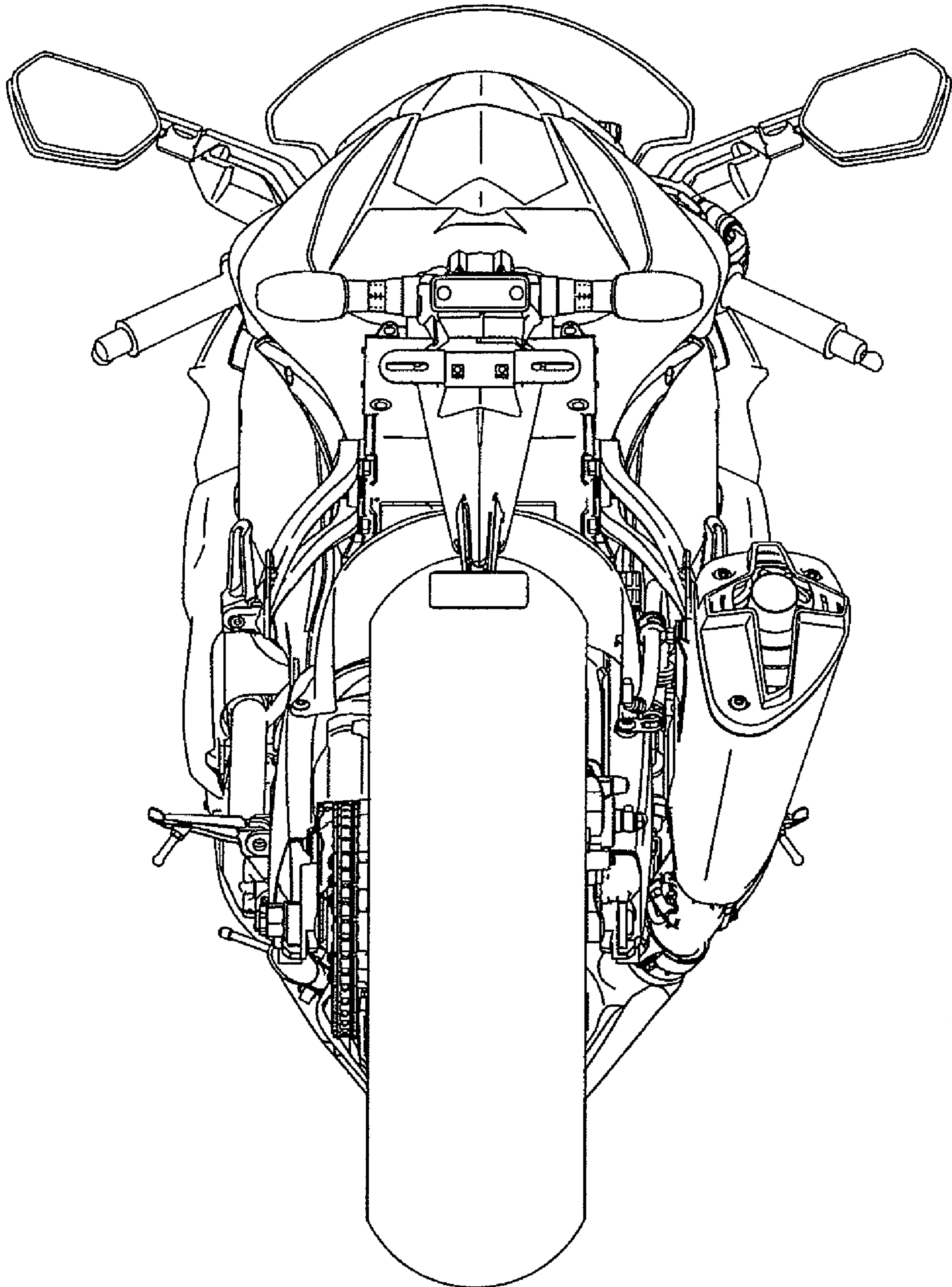


Fig.2



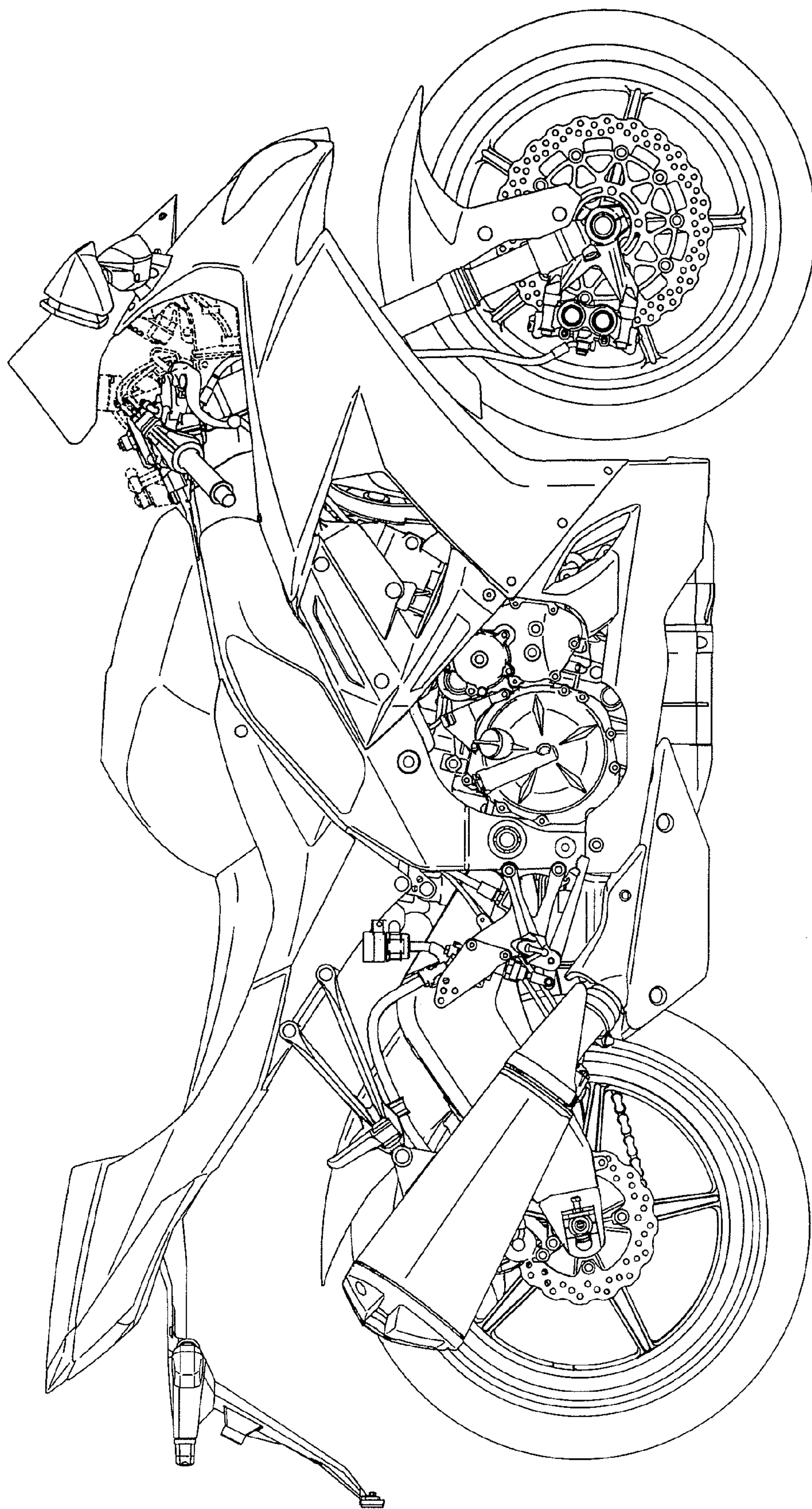


Fig. 3

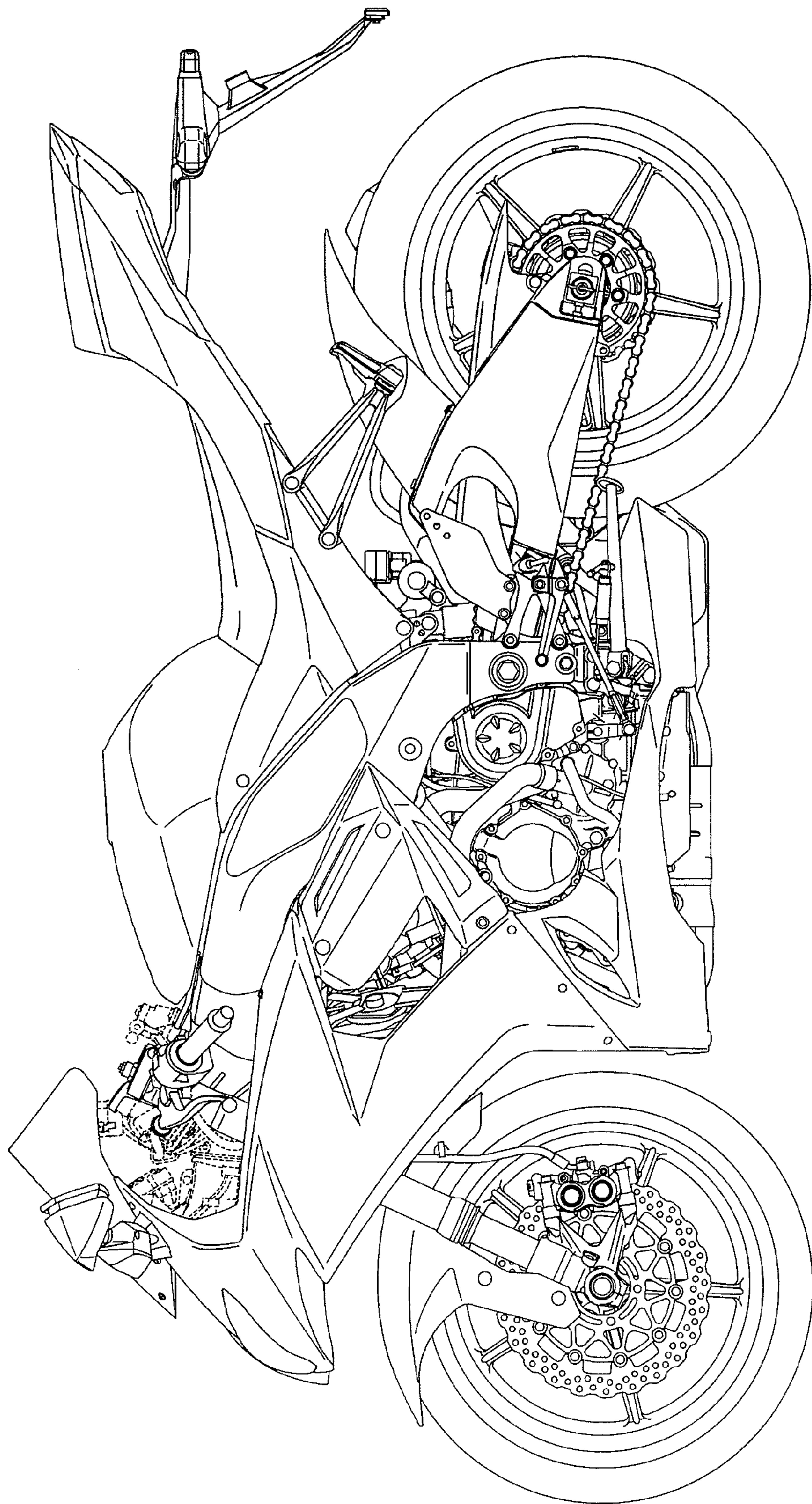


Fig.4

Fig.5

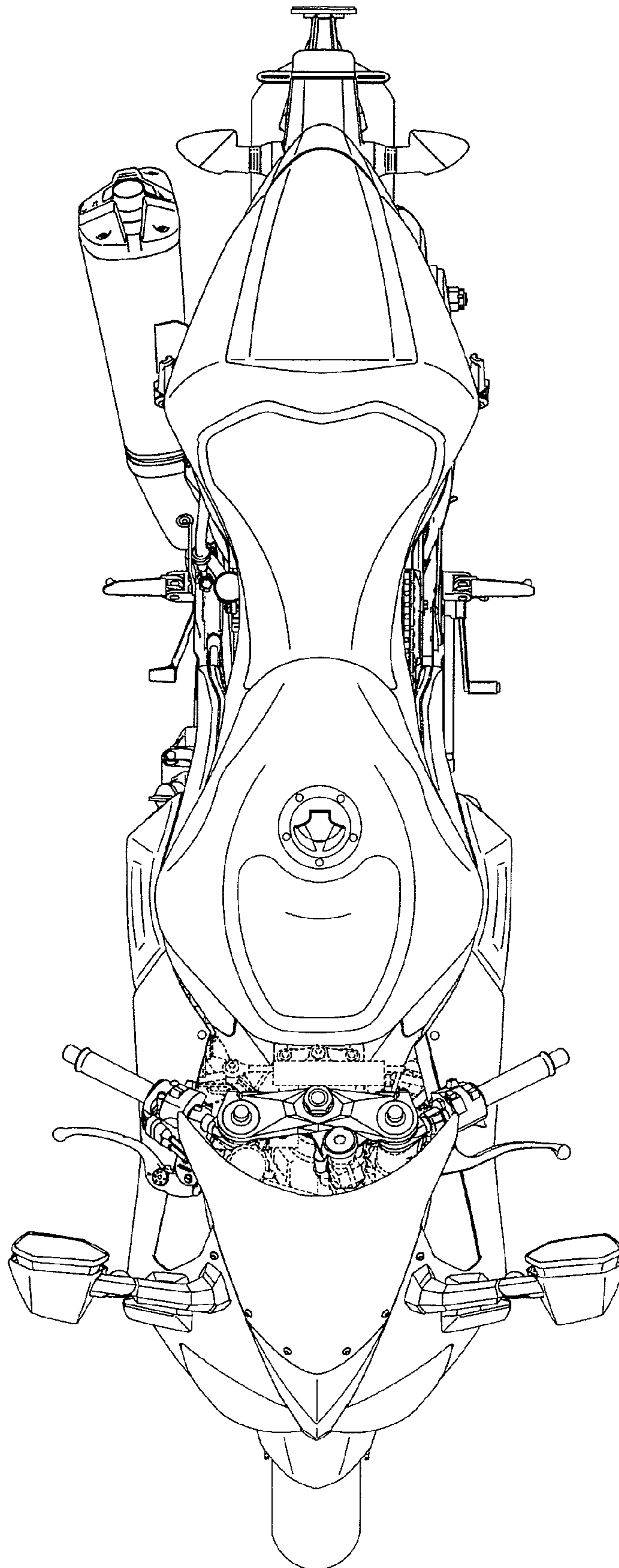


Fig.6

