



US00D588960S

(12) **United States Design Patent**  
**Buckan et al.**

(10) **Patent No.:** **US D588,960 S**  
(45) **Date of Patent:** **\*\* Mar. 24, 2009**

(54) **MOTORCYCLE, TOY, OR MOTORCYCLE  
REPLICA**

D519,883 S \* 5/2006 Robb ..... D12/110  
D531,089 S \* 10/2006 Heinrich et al. .... D12/110  
D549,617 S \* 8/2007 Robb ..... D12/110

(75) Inventors: **Alexander Buckan**, Groebenzell (DE);  
**Edgar Heinrich**, Freising (DE)

\* cited by examiner

(73) Assignee: **Bayerische Motoren Werke  
Aktiengesellschaft**, Munich (DE)

*Primary Examiner*—Cathron C Brooks

*Assistant Examiner*—Linda Brooks

(74) *Attorney, Agent, or Firm*—Crowell & Moring LLP

(\*\*) Term: **14 Years**

(57) **CLAIM**

(21) Appl. No.: **29/290,883**

The ornamental design for a motorcycle, toy, or motorcycle replica, as shown and described.

(22) Filed: **Jan. 25, 2008**

(30) **Foreign Application Priority Data**

Jul. 27, 2007 (DE) ..... 40703866

**DESCRIPTION**

(51) **LOC (9) Cl.** ..... **12-11**

This application is related to co-pending application Ser. No. 29/290,338, filed Nov. 21, 2007, entitled "Motorcycle, Toy, or Motorcycle Replica."

(52) **U.S. Cl.** ..... **D12/110**

FIG. 1 is a left, front perspective view of a motorcycle, toy, or motorcycle replica according to our novel design;

(58) **Field of Classification Search** ..... D12/110;

180/219, 220, 225, 229, 227; D21/432, 538;

446/440; 280/827, 828

FIG. 2 is a left, rear perspective view thereof;

See application file for complete search history.

FIG. 3 is a right, front perspective view thereof;

(56) **References Cited**

**U.S. PATENT DOCUMENTS**

D378,204 S \* 2/1997 Heinrich et al. .... D12/110  
D380,989 S \* 7/1997 Abe et al. .... D12/110  
D382,835 S \* 8/1997 Abe et al. .... D12/110  
D400,605 S \* 11/1998 Rodriguez Ferre ..... D12/110  
D406,801 S \* 3/1999 Robb et al. .... D12/110  
D422,244 S \* 4/2000 Heinrich et al. .... D12/110  
D437,262 S 2/2001 Robb  
D444,103 S \* 6/2001 Robb et al. .... D12/110  
D455,373 S \* 4/2002 Robb et al. .... D12/110  
D500,463 S \* 1/2005 Heinrich et al. .... D12/110

FIG. 4 is a right, rear perspective view thereof;

FIG. 5 is a left side view thereof;

FIG. 6 is a right side view thereof;

FIG. 7 is a front view thereof;

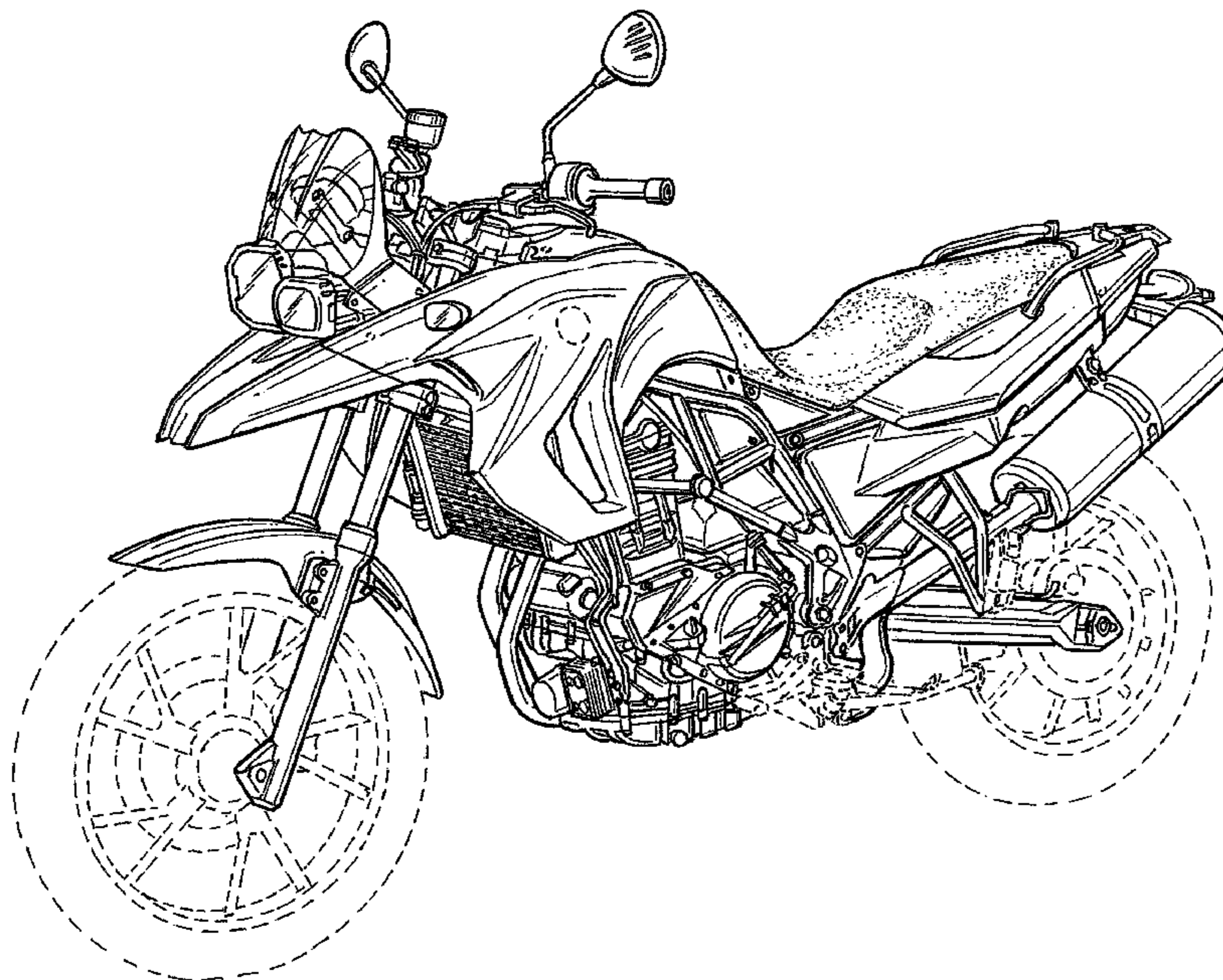
FIG. 8 is a rear view thereof;

FIG. 9 is a top view thereof; and,

FIG. 10 is a bottom view thereof.

The portions of the motorcycle, toy, or motorcycle replica shown in broken lines form no part of the claimed design.

**1 Claim, 9 Drawing Sheets**



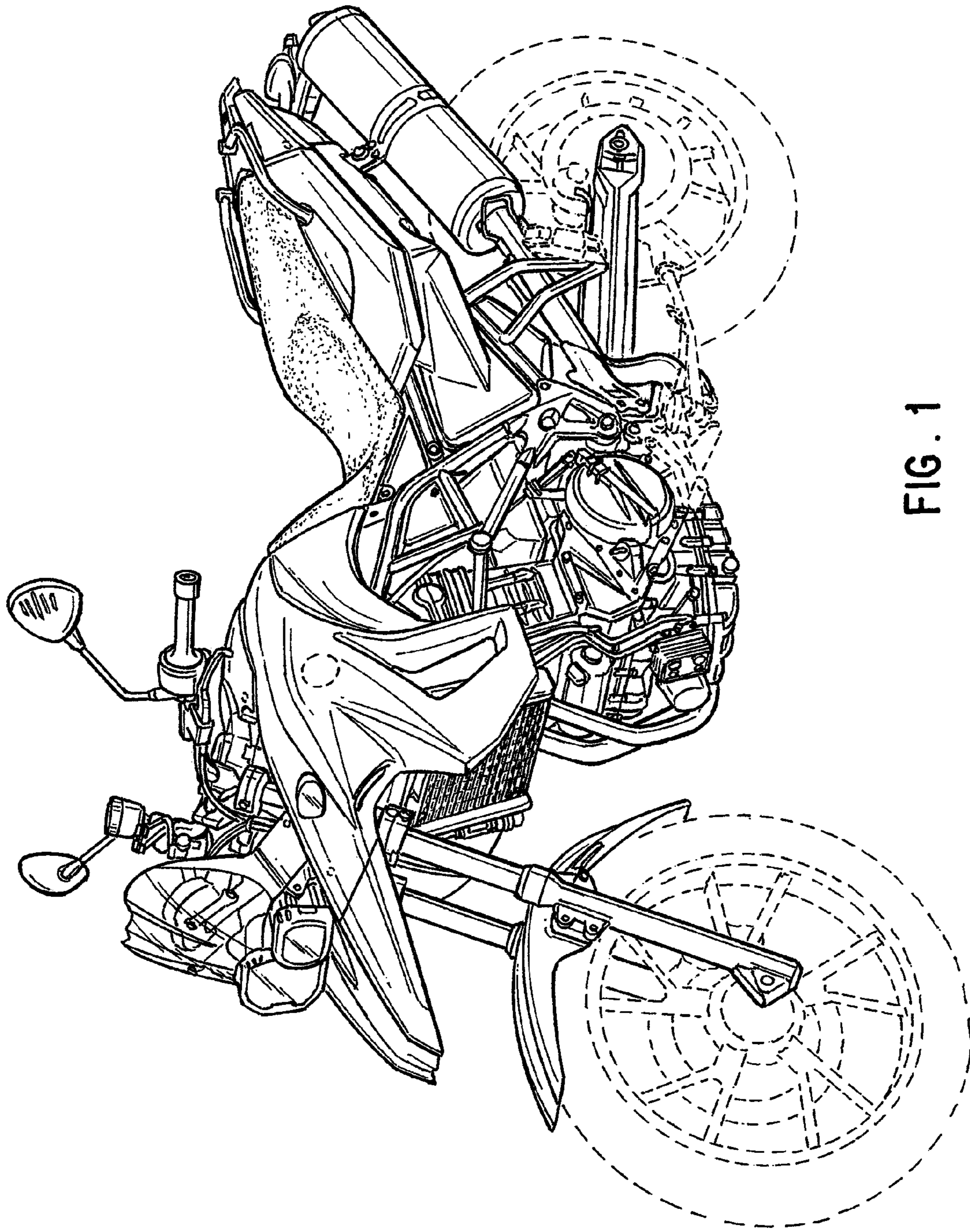


FIG. 1



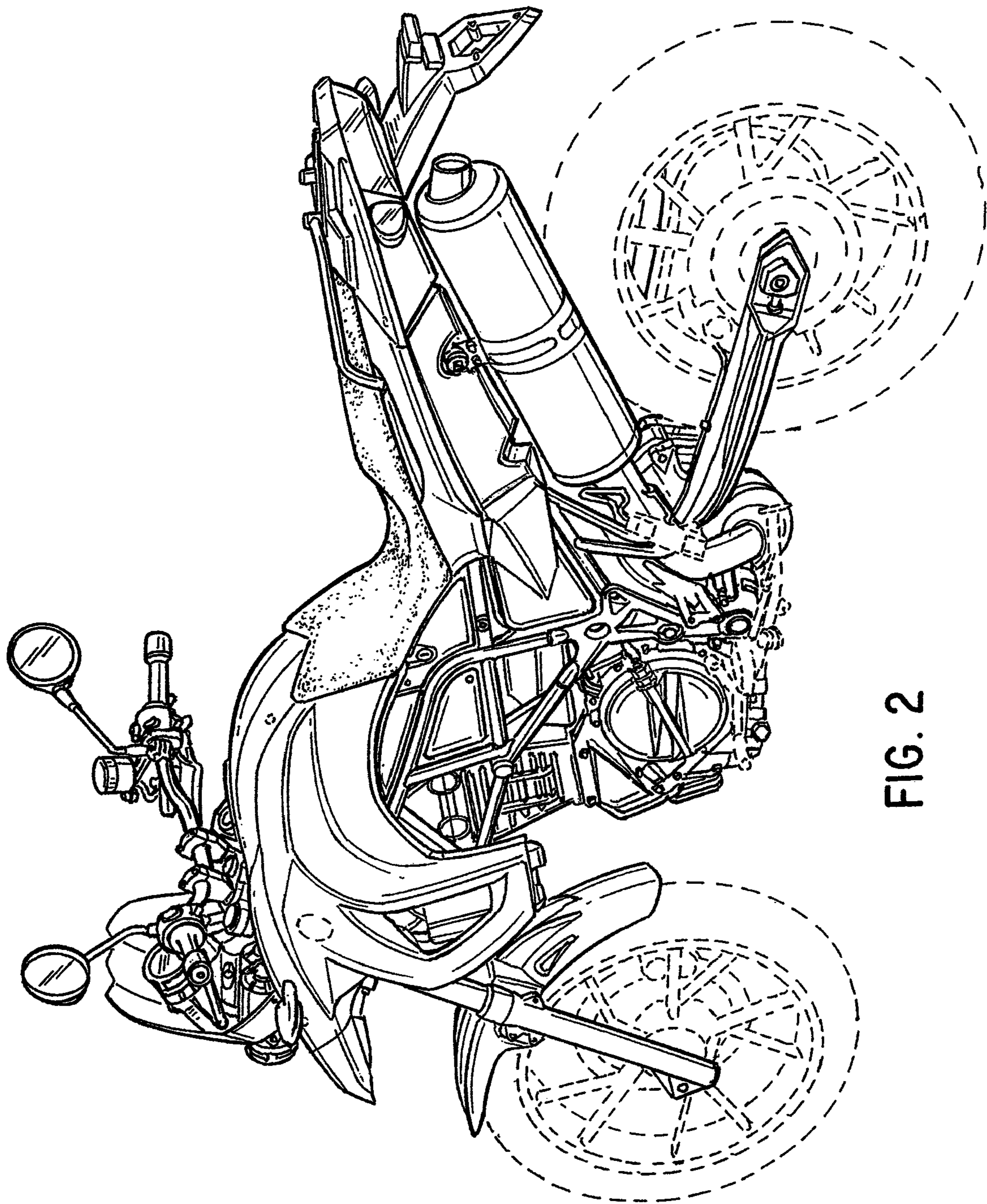


FIG. 2

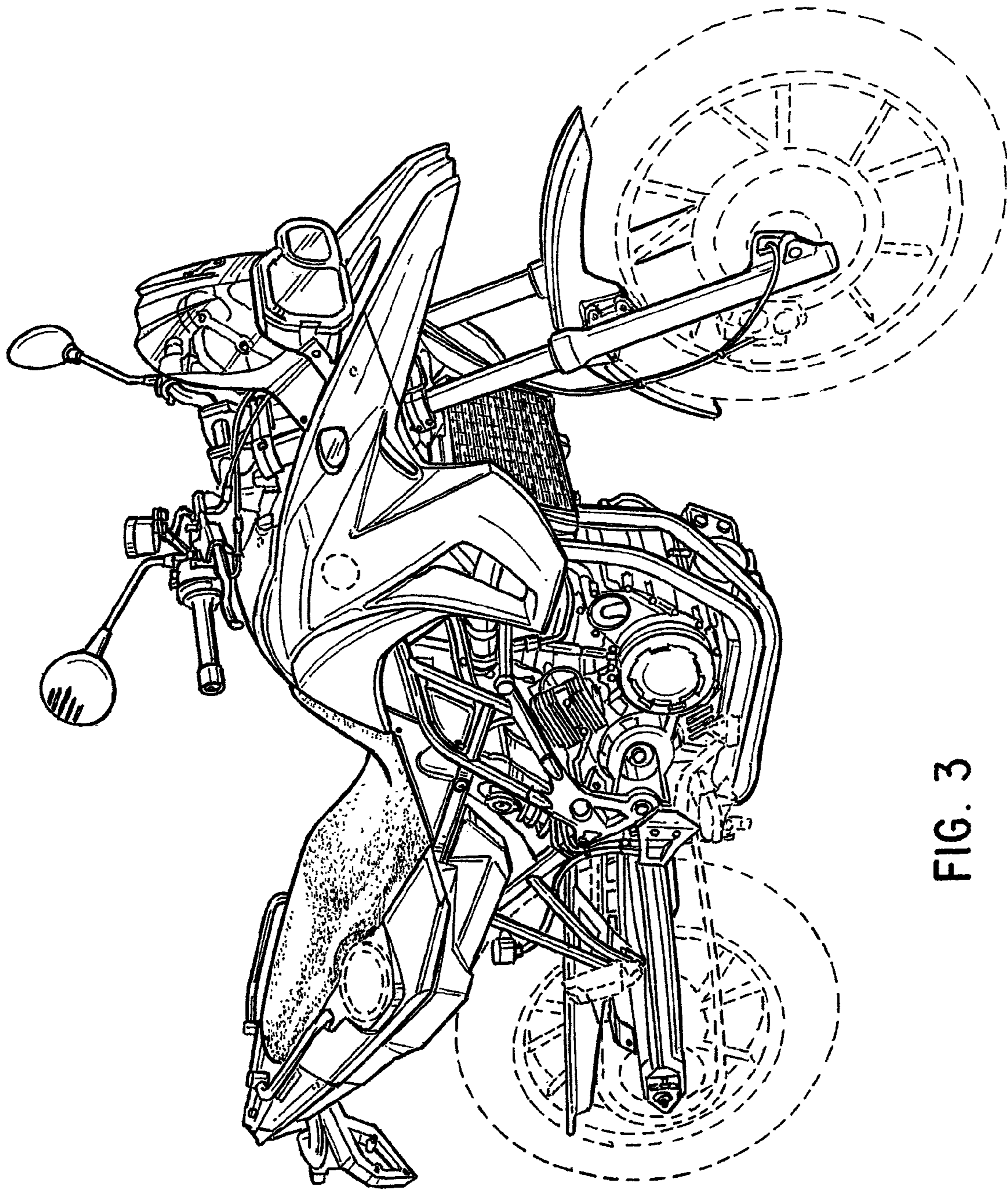


FIG. 3



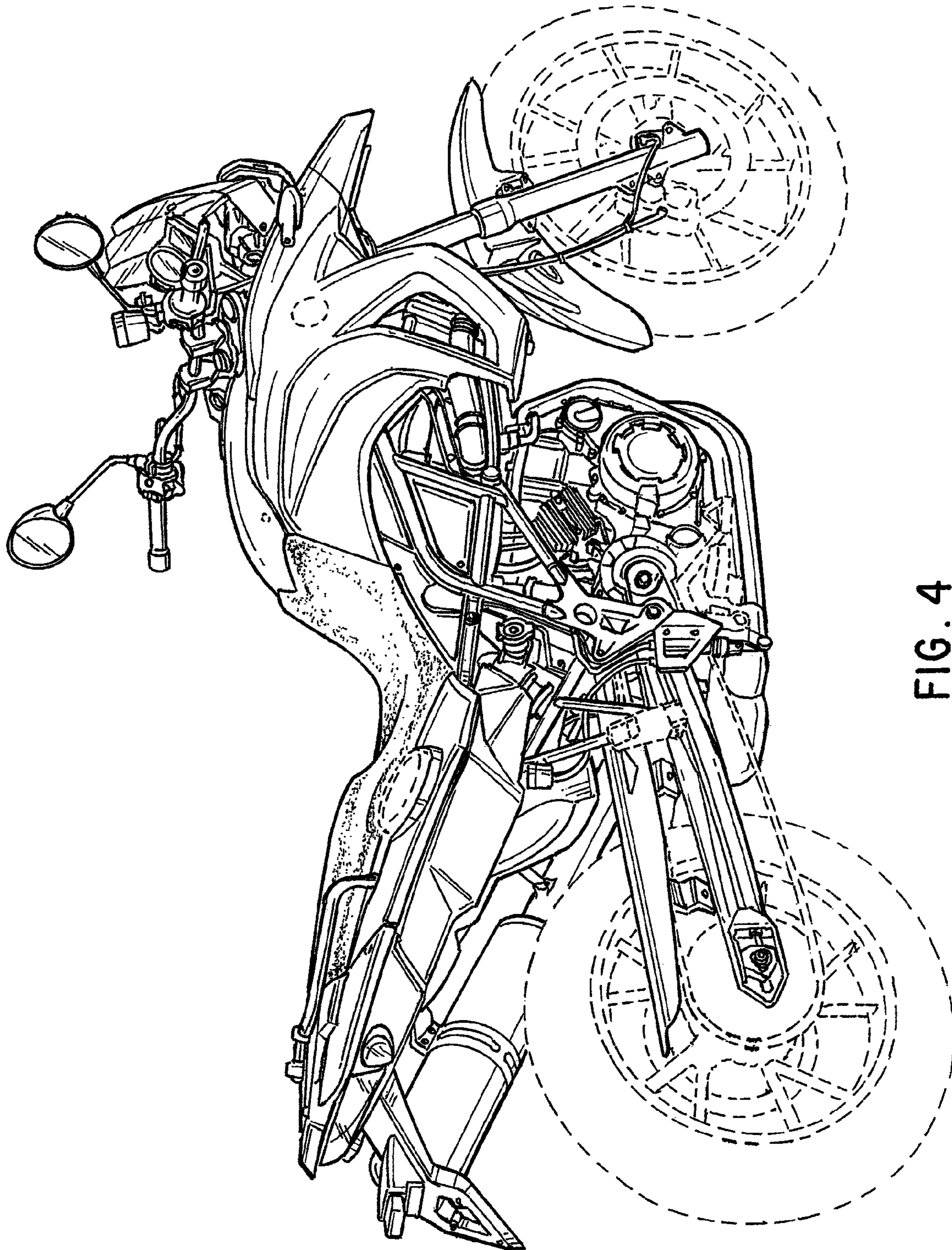


FIG. 4

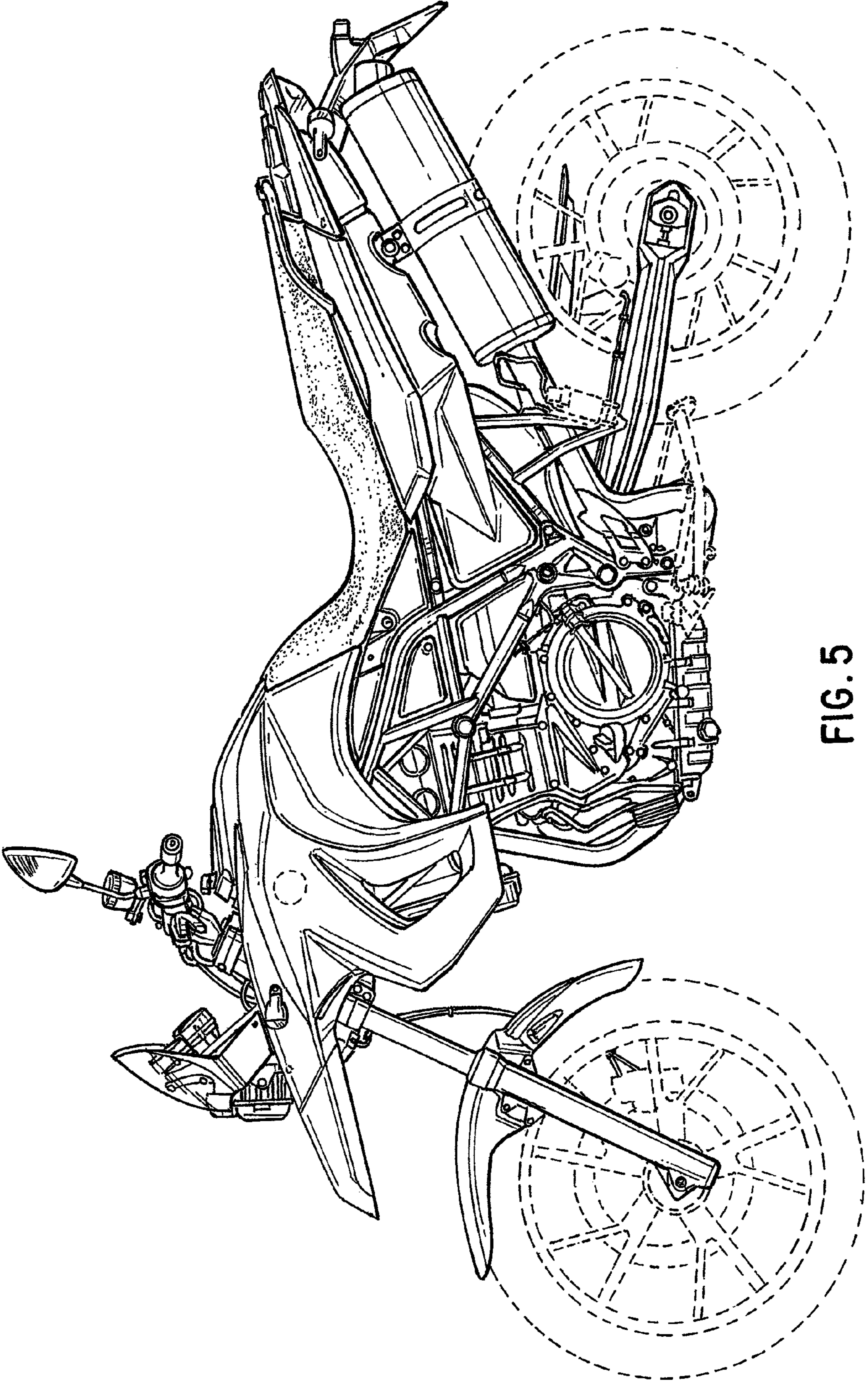


FIG. 5



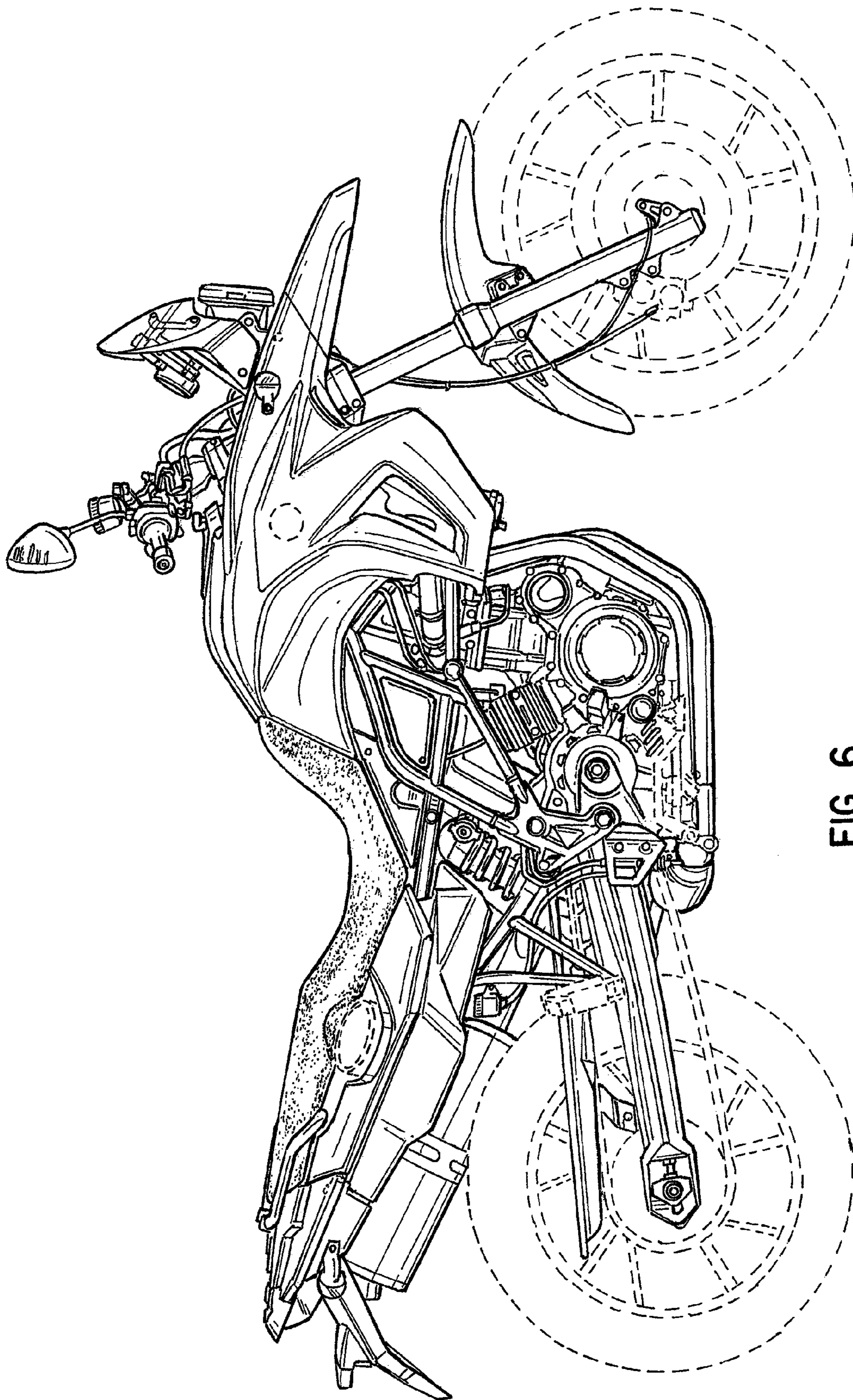


FIG. 6

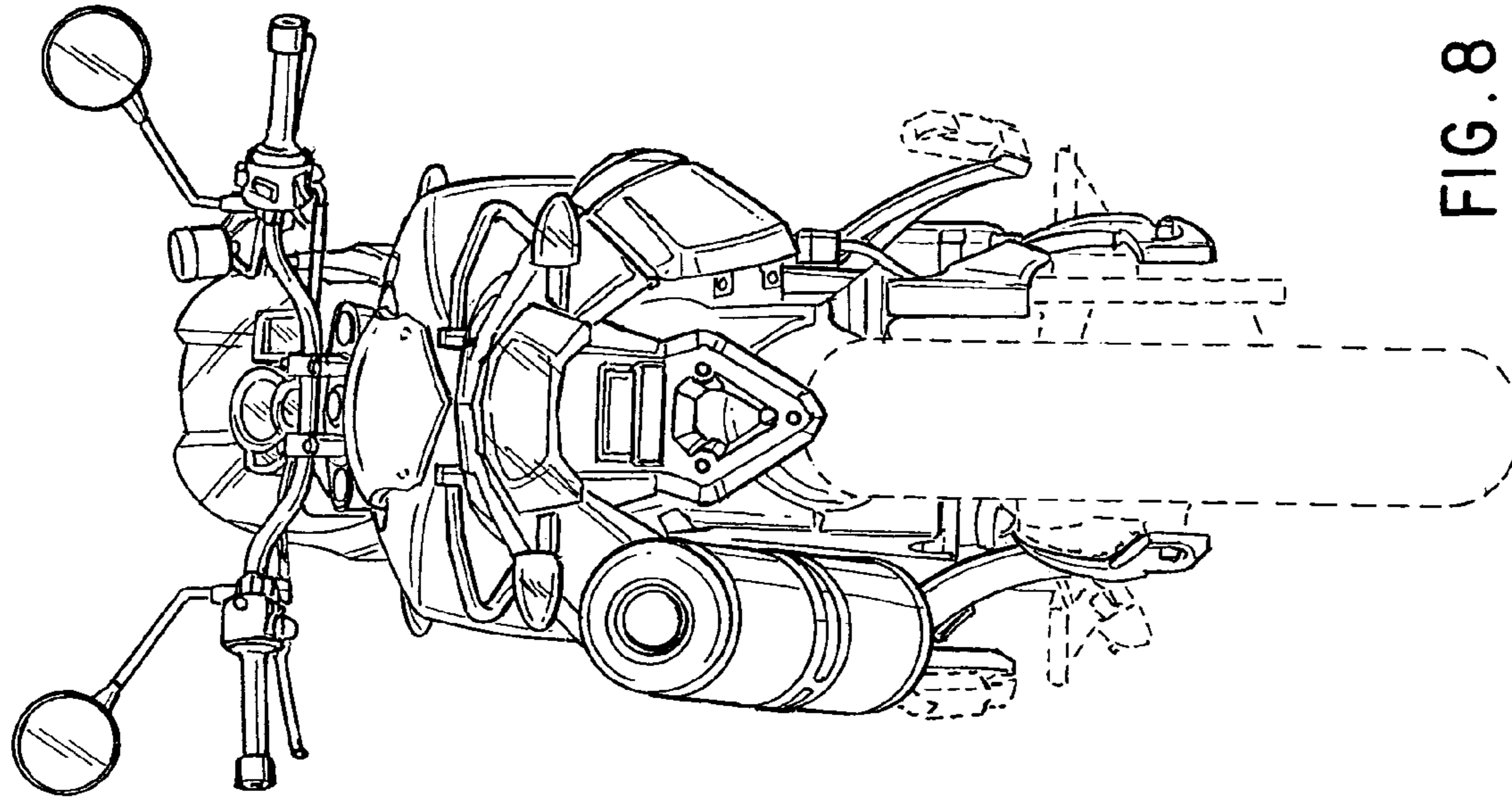


FIG. 8

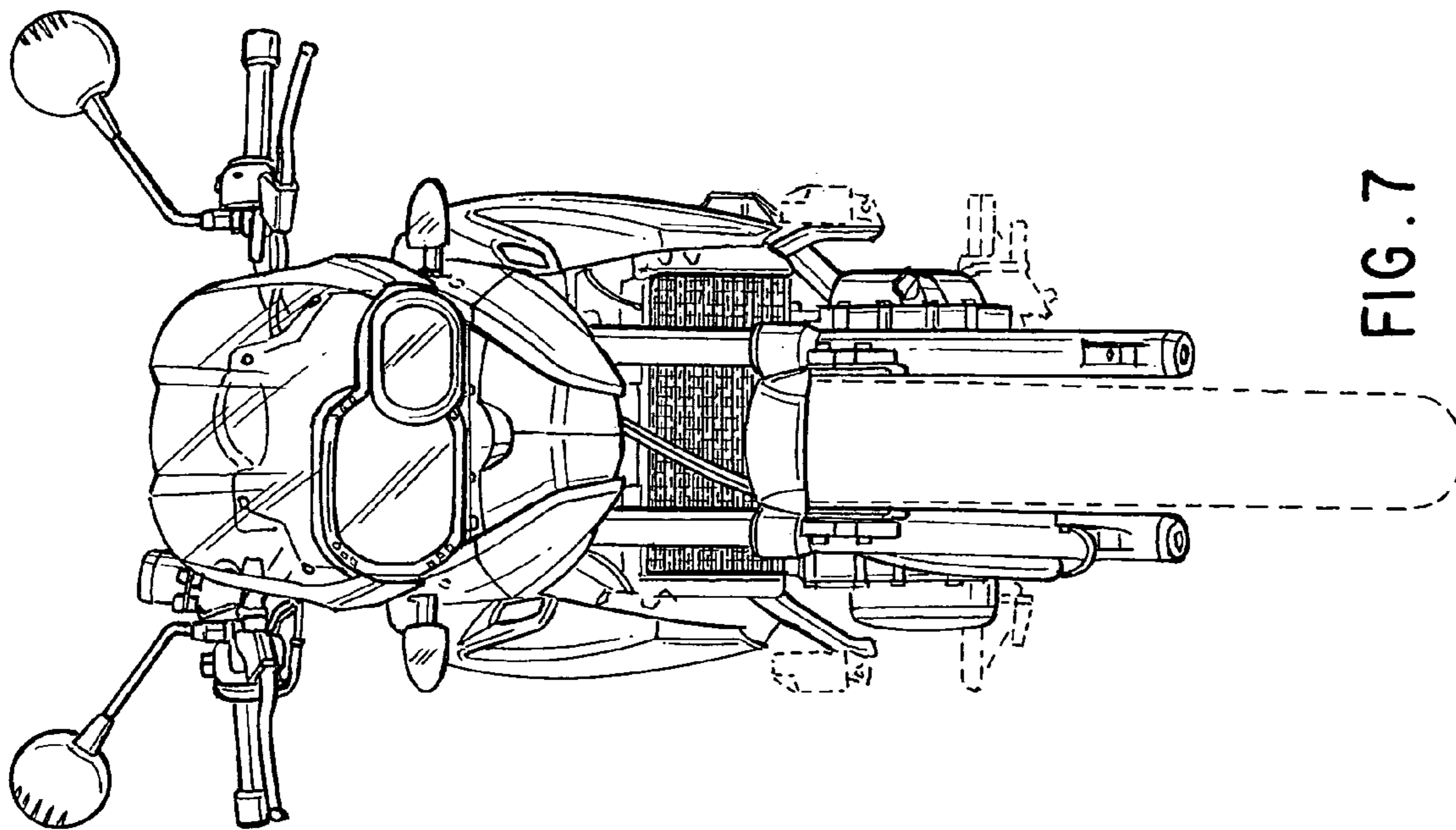


FIG. 7



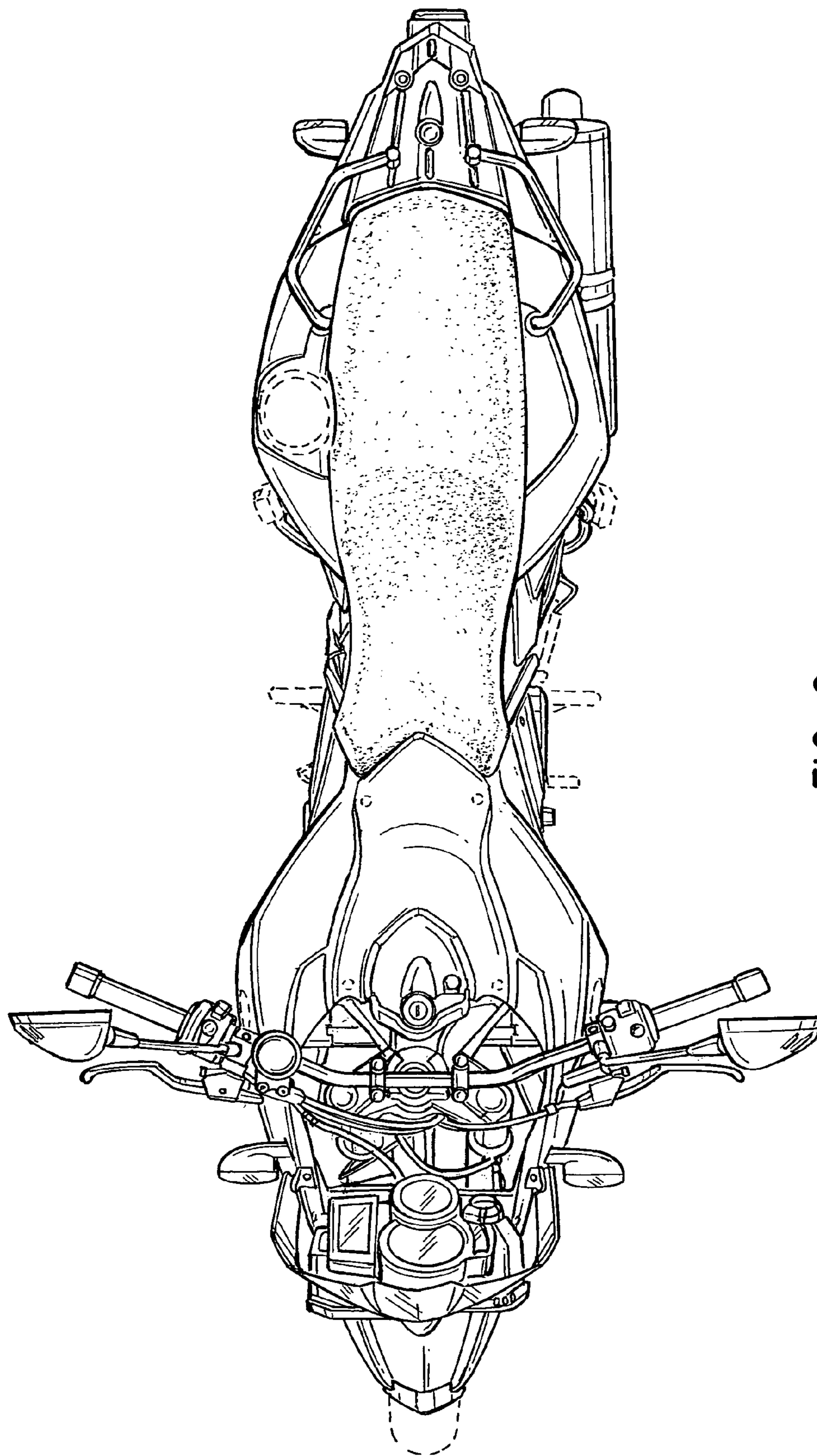


FIG. 9

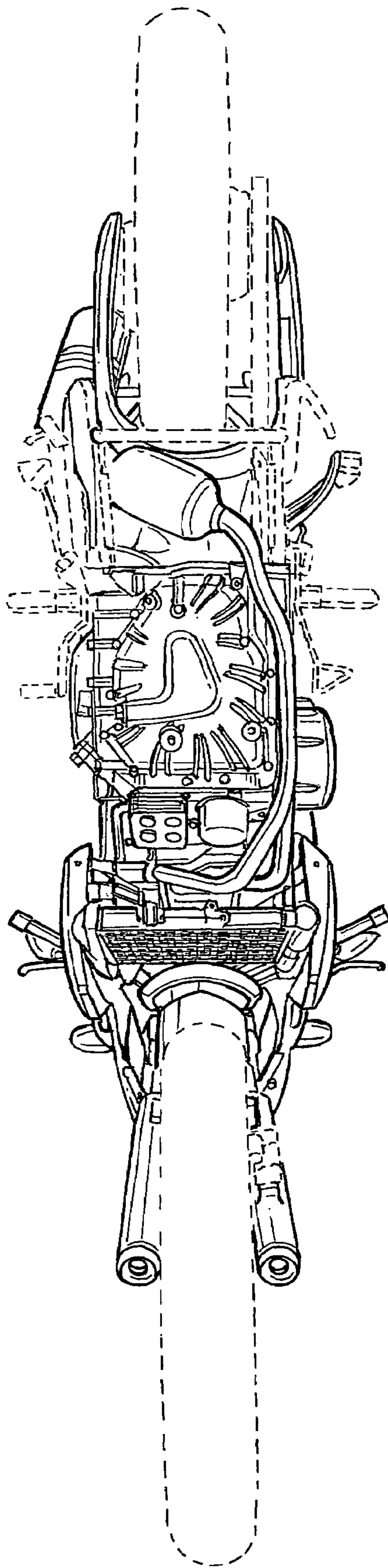


FIG. 10