



US00D588958S

(12) **United States Design Patent**
Zheng et al.

(10) **Patent No.:** **US D588,958 S**
(45) **Date of Patent:** **** Mar. 24, 2009**

(54) **AUTOMOBILE BODY**

D568,213 S * 5/2008 Platto et al. D12/92

(75) Inventors: **Zhibai Zheng**, Royal Oak, MI (US);
Mark D. Hall, Rochester Hills, MI (US);
Brandon L. Faurote, Rochester, MI
(US)

* cited by examiner

Primary Examiner—Melody N Brown
(74) *Attorney, Agent, or Firm*—Ralph E. Smith

(73) Assignee: **Chrysler LLC**, Auburn Hills, MI (US)

(57) **CLAIM**

(**) Term: **14 Years**

The ornamental design for an automobile body, as shown and described.

(21) Appl. No.: **29/306,867**

DESCRIPTION

(22) Filed: **Apr. 17, 2008**

FIG. 1 is a front perspective view of an automobile body showing our new design;

(51) **LOC (9) Cl.** **12-08**

(52) **U.S. Cl.** **D12/92**

FIG. 2 is a rear perspective view thereof;

(58) **Field of Classification Search** D12/86,
D12/90-92; 296/181.1, 181.5

FIG. 3 is a side view thereof;

See application file for complete search history.

FIG. 4 is a front view thereof; and,

FIG. 5 is a rear view thereof.

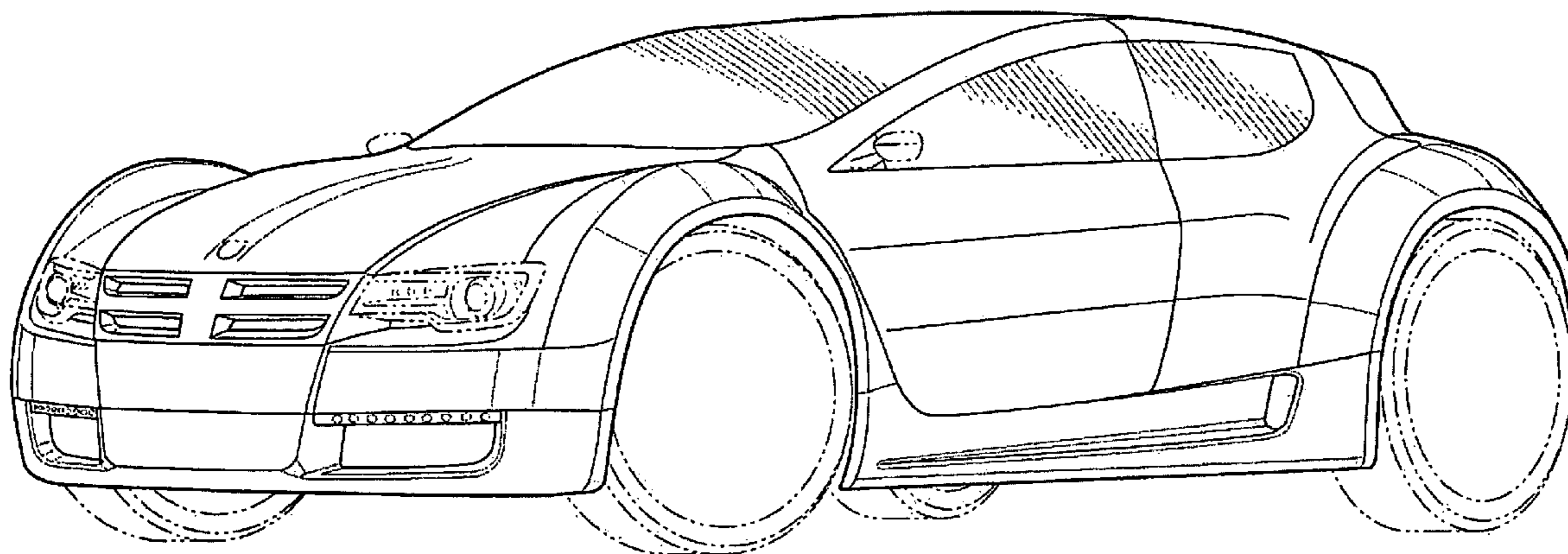
(56) **References Cited**

It will be understood that the broken lines presented in the drawings are for illustration only, and do not form a part of the claimed design.

U.S. PATENT DOCUMENTS

D518,414 S * 4/2006 Lo D12/92
D539,703 S * 4/2007 Woodhouse et al. D12/92

1 Claim, 4 Drawing Sheets



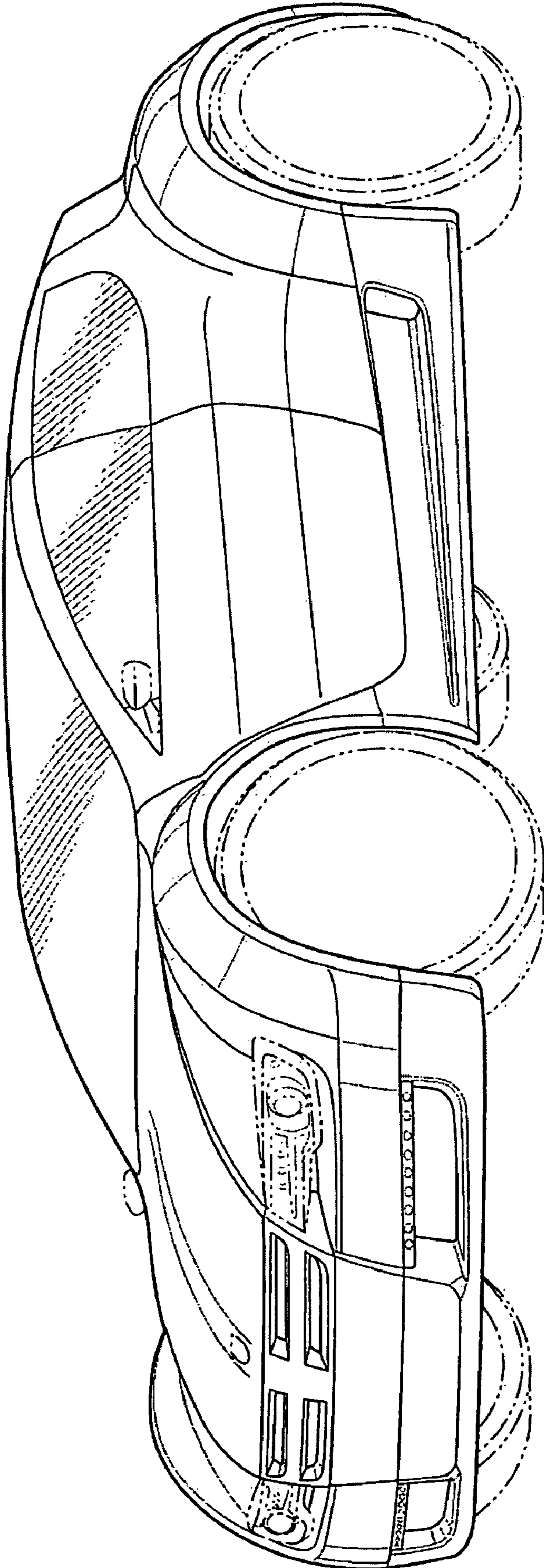


FIG - 1

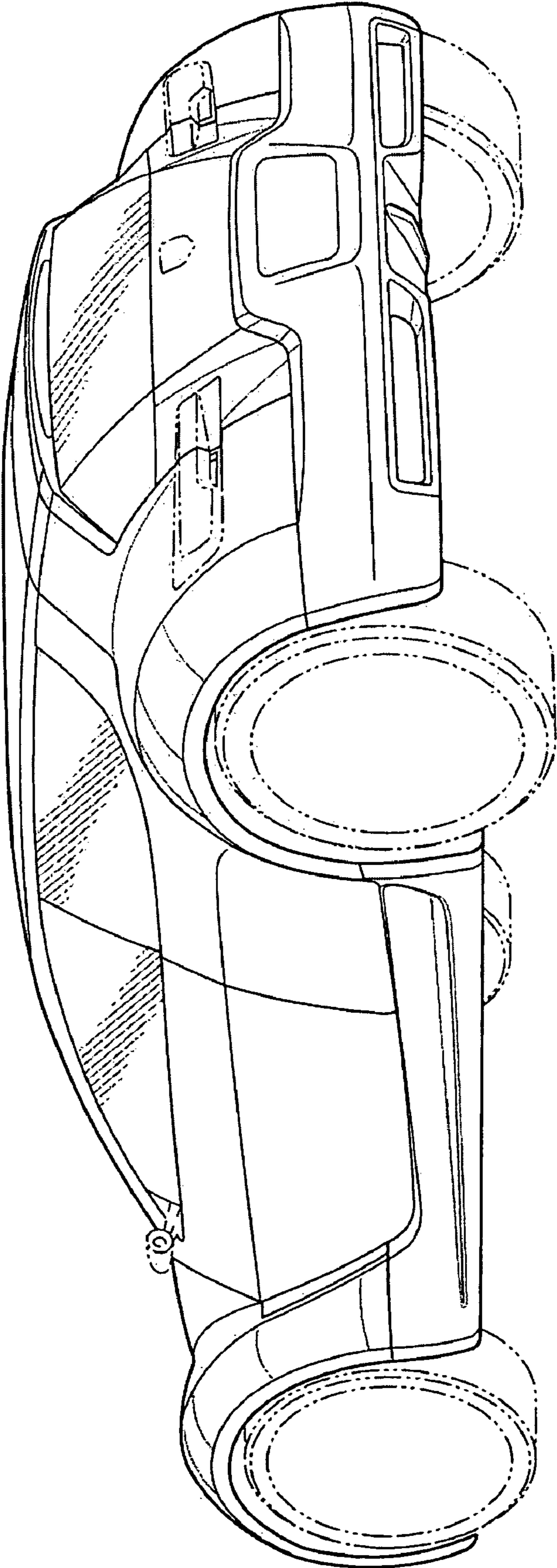


FIG - 2

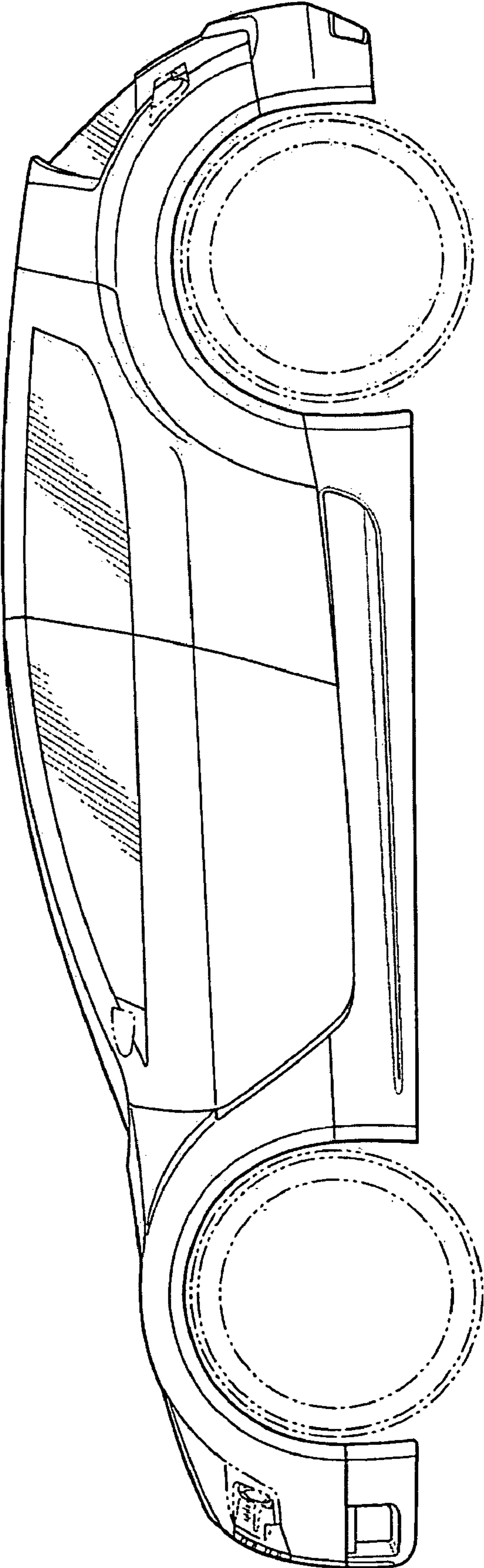


FIG - 3

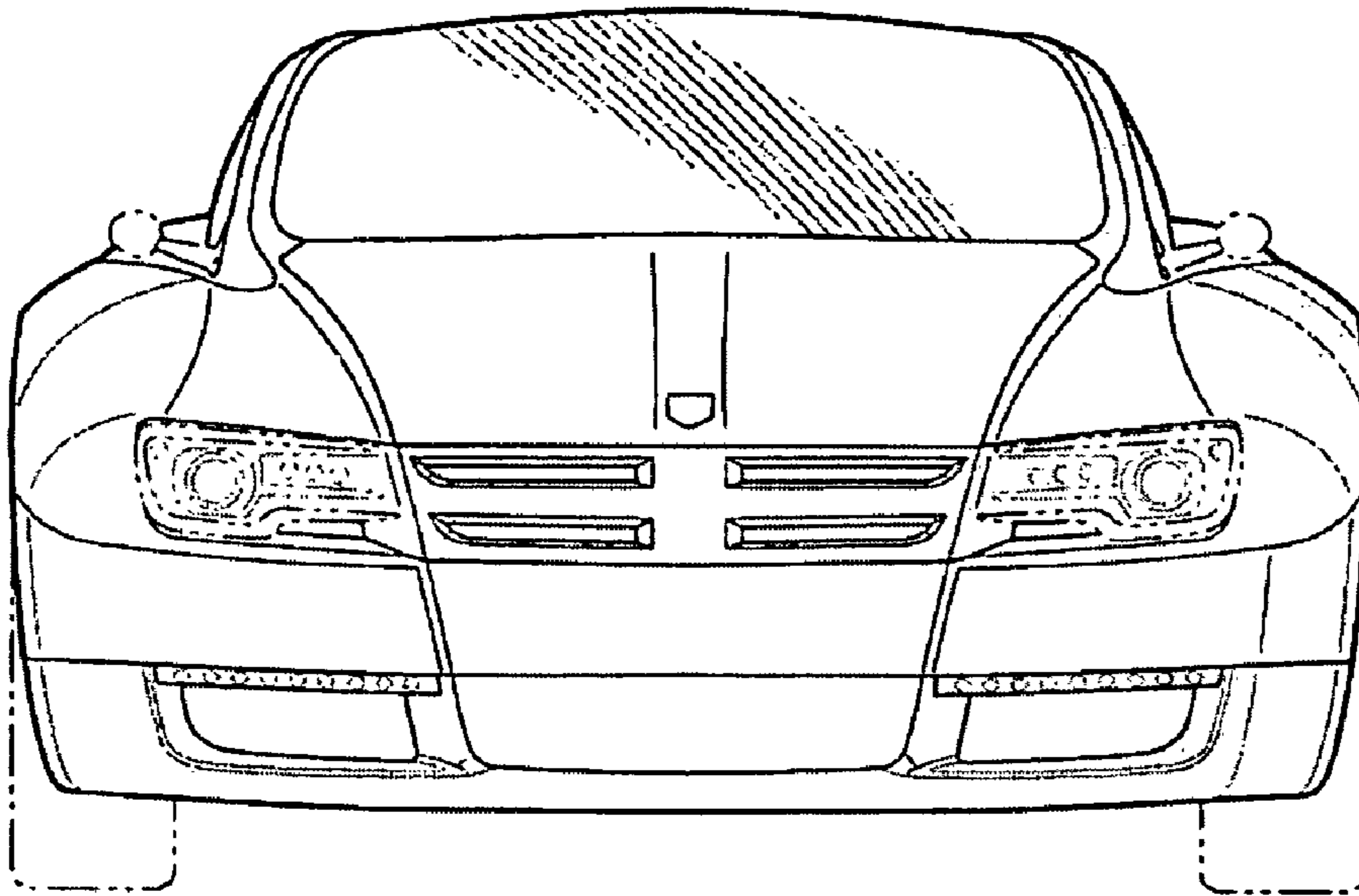


FIG - 4

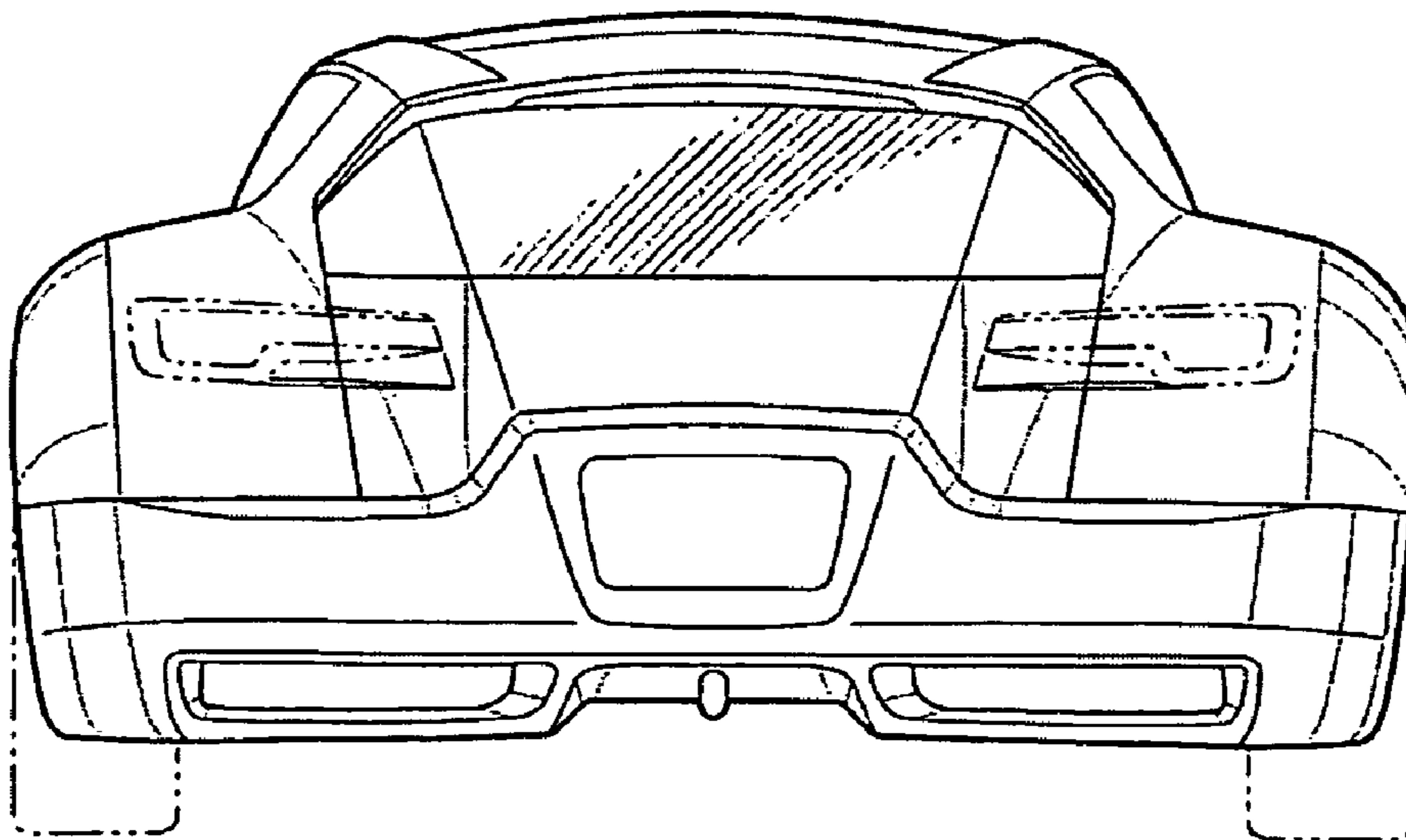


FIG - 5