



US00D588957S

(12) **United States Design Patent**  
**Tuo**

(10) **Patent No.:** **US D588,957 S**  
(45) **Date of Patent:** **\*\* Mar. 24, 2009**

(54) **GOLF CAR**

(75) Inventor: **Xinyong Tuo**, Suzhou (CN)

(73) Assignee: **Suzhou Eagle Electric Vehicle Manufacturing Co., Ltd.**, Suzhou (CN)

(\*\*) Term: **14 Years**

(21) Appl. No.: **29/272,677**

(22) Filed: **Feb. 15, 2007**

(30) **Foreign Application Priority Data**

Dec. 19, 2006 (CN) ..... 2006 3 0310675

(51) **LOC (9) Cl.** ..... **12-02**

(52) **U.S. Cl.** ..... **D12/16**

(58) **Field of Classification Search** ..... D12/87,  
D12/86, 1, 433, 15, 16, 107, 82, 88, 89, 90,  
D12/91, 92, 93; D15/30; D21/803; 180/233,  
180/906; 280/DIG. 5, 183, 184, 185, 186,  
280/28, 37.7

See application file for complete search history.

(56) **References Cited**

**U.S. PATENT DOCUMENTS**

- D245,242 S 8/1977 Stolley
- D245,592 S 8/1977 Davidson
- D255,558 S 6/1980 Ekuan
- D269,007 S 5/1983 Rastegar
- D319,203 S 8/1991 Tisten et al.
- D320,580 S 10/1991 Kim
- D326,831 S 6/1992 Lanius et al.
- D345,717 S 4/1994 Molzon et al.
- D345,718 S 4/1994 Molzon et al.
- D369,762 S 5/1996 Molzon et al.
- D373,099 S 8/1996 Molzon et al.
- D394,637 S 5/1998 Camiano
- D395,023 S 6/1998 Hikida
- D431,018 S 9/2000 Maypole
- D435,509 S 12/2000 Hickman

- D444,762 S 7/2001 Werle et al.
- 6,325,362 B1 \* 12/2001 Massey et al. .... 261/127
- D453,727 S 2/2002 Shugar et al.
- 6,547,304 B1 4/2003 Conner et al.
- D486,432 S 2/2004 Chan
- D497,872 S 11/2004 Bonner et al.
- D498,704 S 11/2004 Bonner et al.
- D502,899 S 3/2005 Mino et al.
- 6,883,846 B2 \* 4/2005 Cheek et al. .... 296/1.02
- D514,981 S 2/2006 Andrews et al.
- D514,990 S 2/2006 Nagashima
- D523,382 S 6/2006 Truebsbach
- D533,326 S \* 12/2006 Sugai ..... D34/15
- D534,106 S 12/2006 Matei
- D535,922 S 1/2007 Kulla
- D536,285 S 2/2007 Sycha
- D537,021 S 2/2007 Pfeiffer
- D539,711 S 4/2007 Fujimaki
- D541,699 S \* 5/2007 Andrews et al. .... D12/16
- 2005/0224539 A1 \* 10/2005 Hardy et al. .... 224/274
- 2007/0216180 A1 \* 9/2007 Hanson et al. .... 296/1.08

\* cited by examiner

*Primary Examiner*—T. Chase Nelson

*Assistant Examiner*—Ania K Dworzecka

(74) *Attorney, Agent, or Firm*—Oliff & Berridge, PLC

(57) **CLAIM**

The ornamental design for a golf car, as shown and described.

**DESCRIPTION**

FIG. 1 is a perspective view of a golf car;

FIG. 2 is a right-side view thereof;

FIG. 3 is a top plan view thereof;

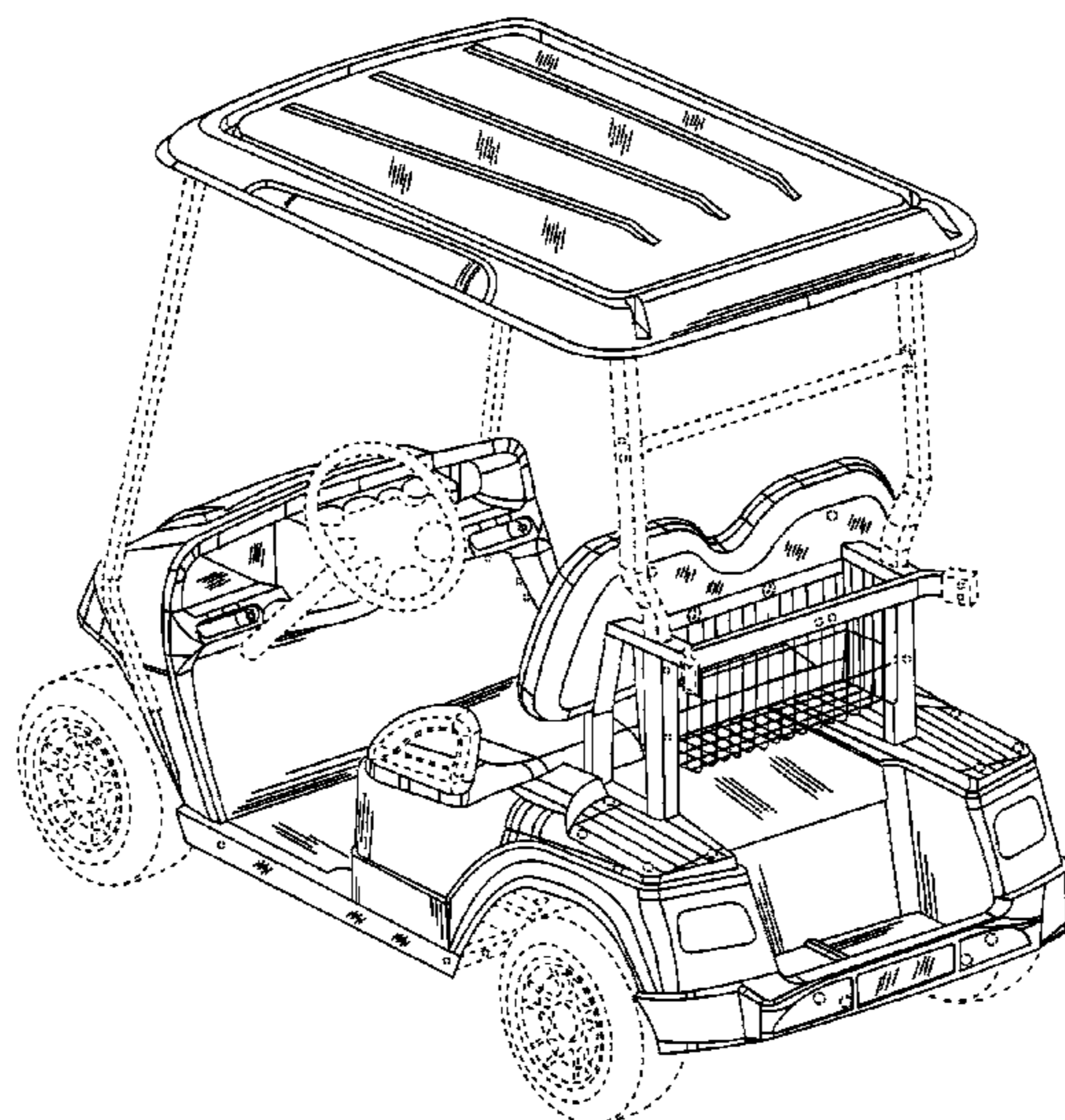
FIG. 4 is a left-side view thereof;

FIG. 5 is a front view thereof; and,

FIG. 6 is a rear view thereof.

The broken lines are for illustrative purposes only and form no part of the claimed design.

**1 Claim, 6 Drawing Sheets**



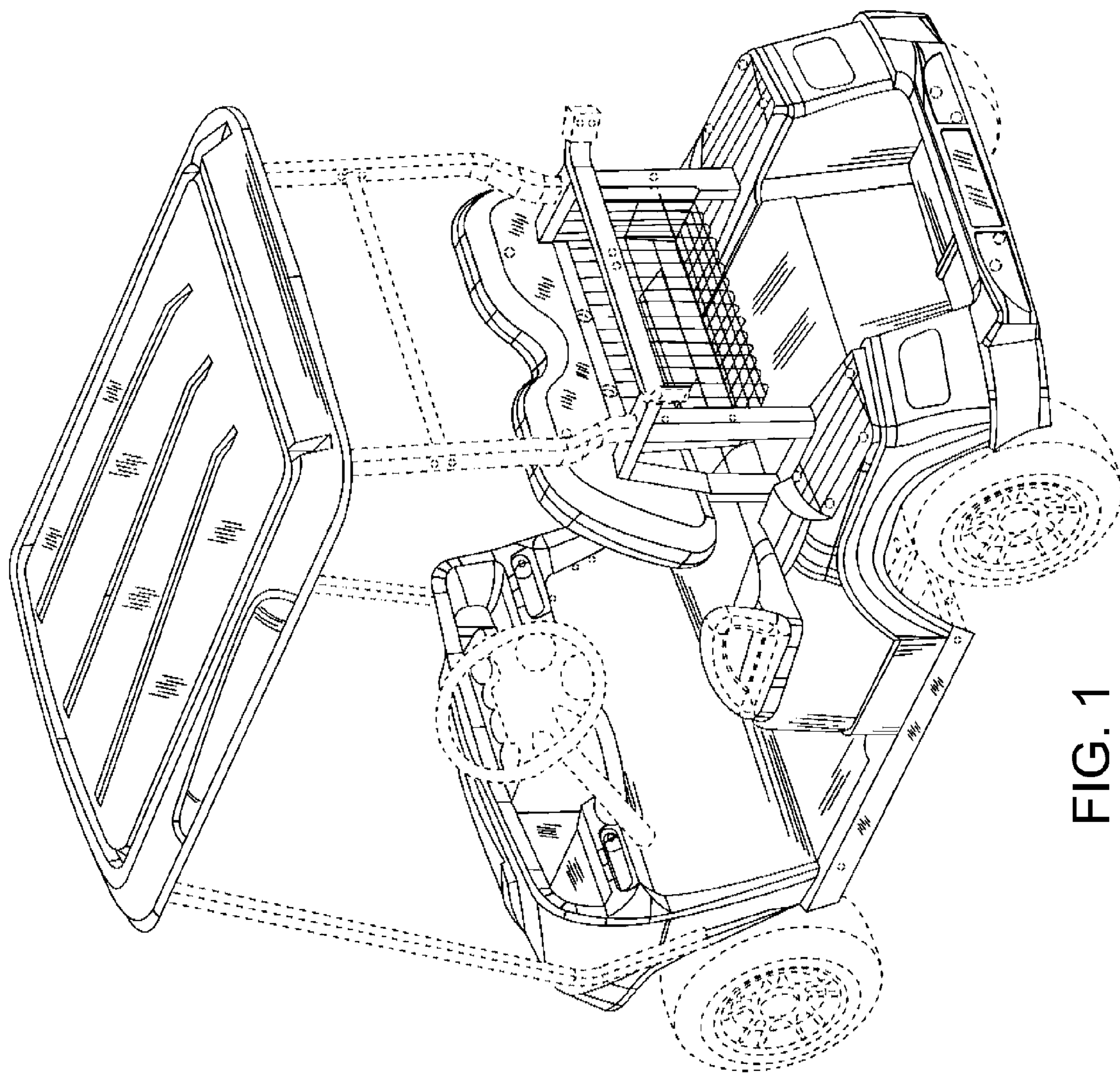


FIG. 1



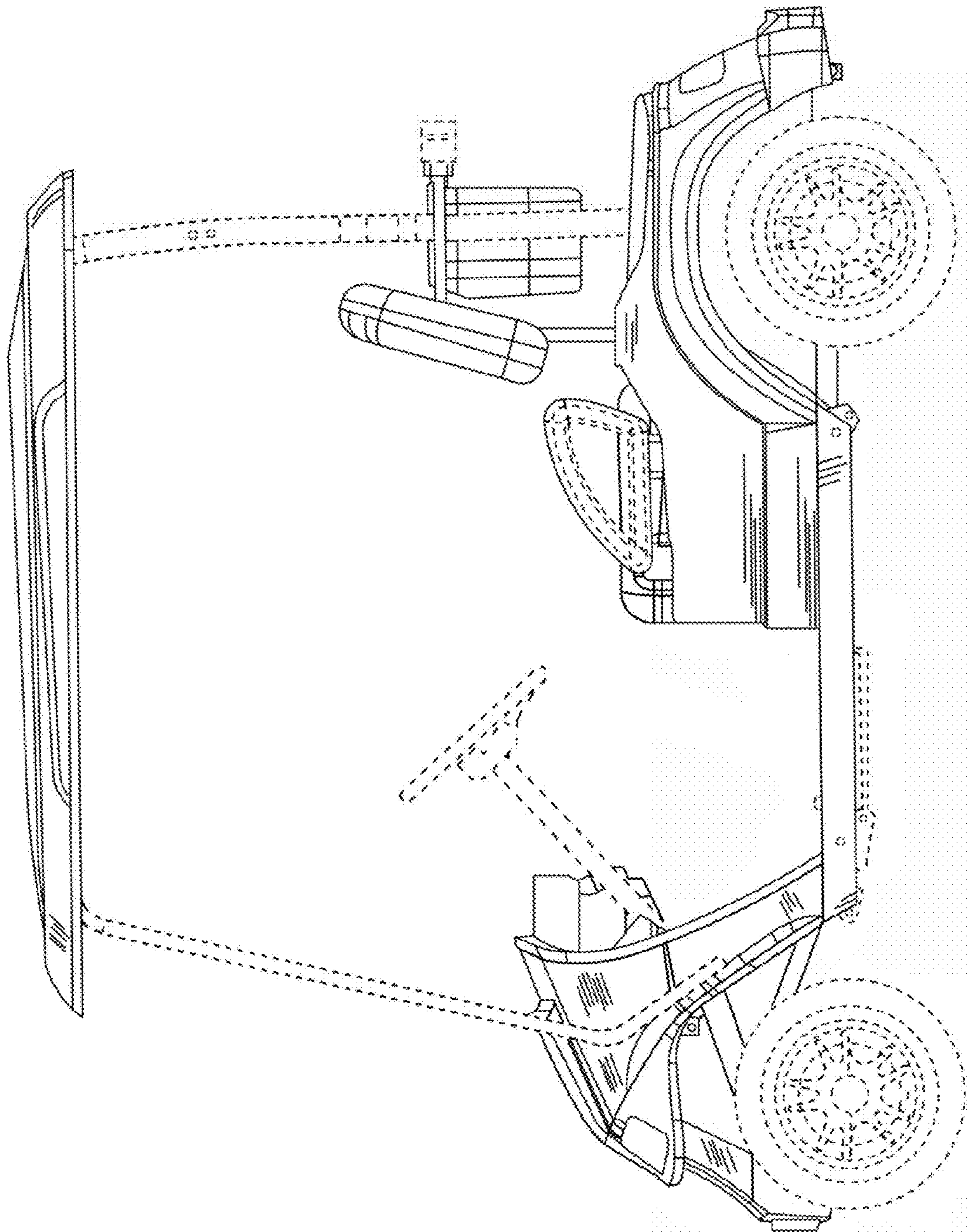


FIG. 2

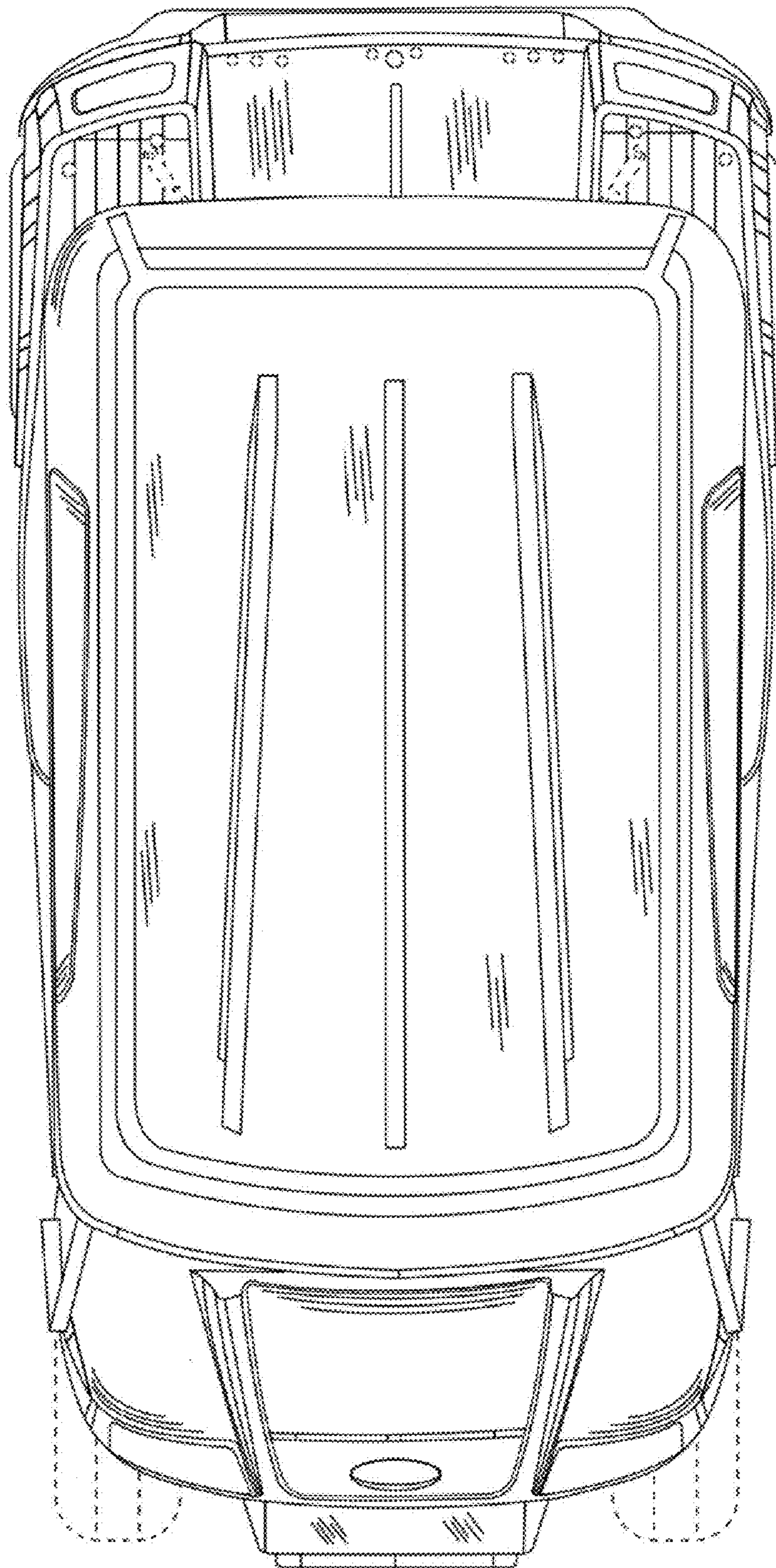


FIG. 3



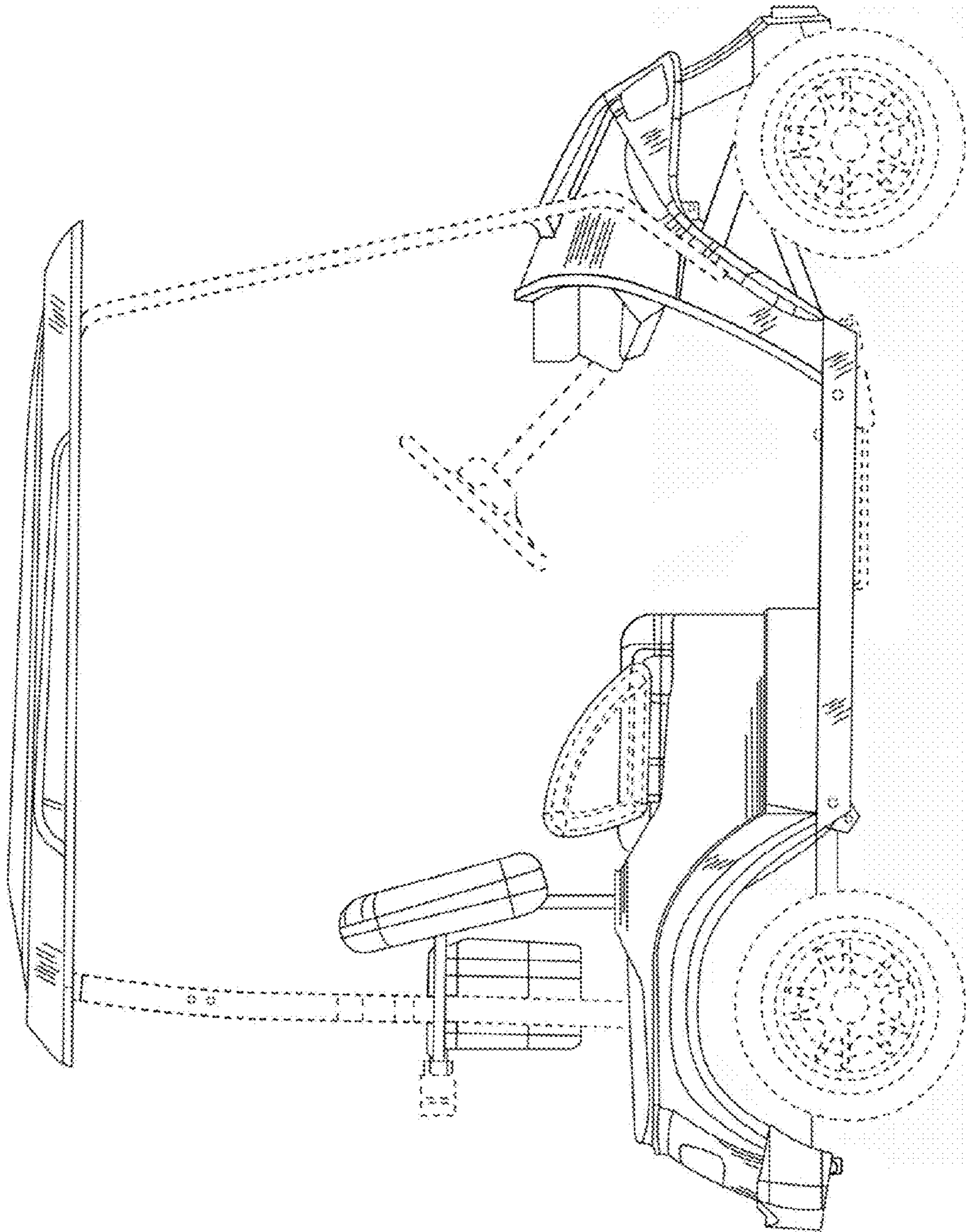


FIG. 4

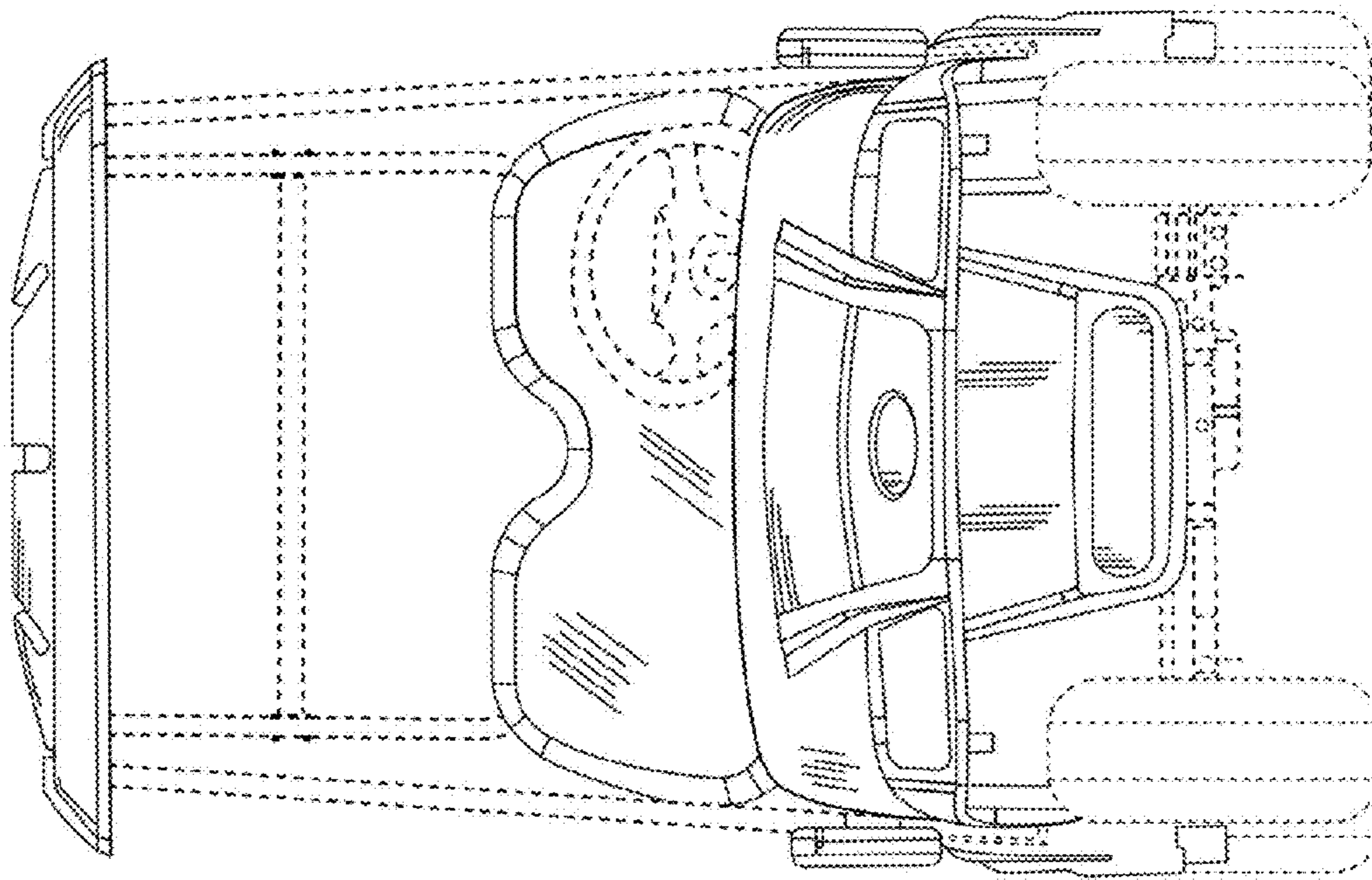


FIG. 5

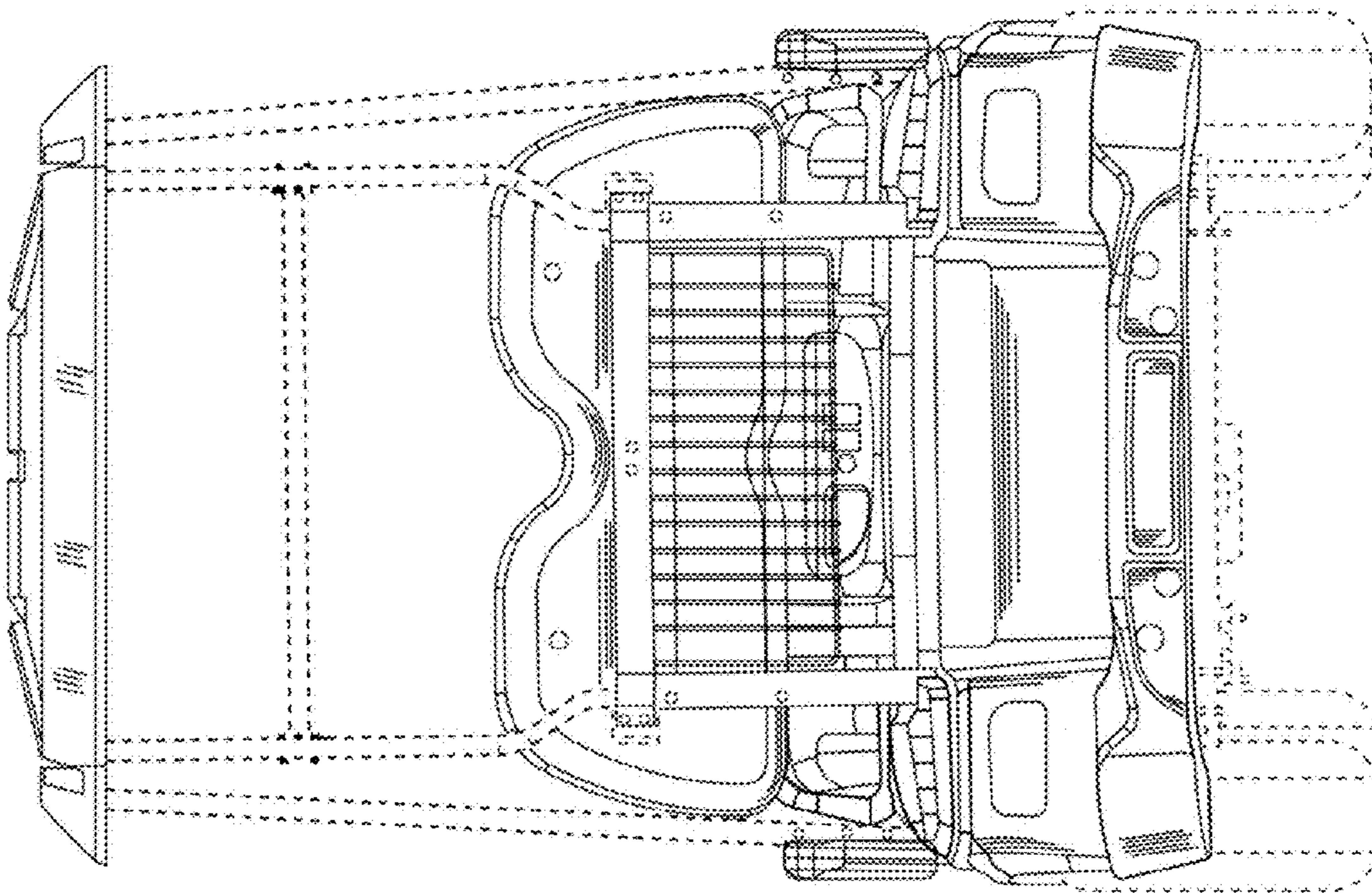


FIG. 6