



US00D588956S

(12) **United States Design Patent**
Kelley et al.

(10) **Patent No.:** **US D588,956 S**
(45) **Date of Patent:** **** Mar. 24, 2009**

(54) **PORTION OF AN OFF-HIGHWAY TRUCK**

(75) Inventors: **Craig B. Kelley**, Dunlap, IL (US); **Gary C. Bryant**, Chillicothe, IL (US); **John J. Maas**, Mount Zion, IL (US); **Michael J. Vance**, Sahuarita, AZ (US); **Colton T. Anderson**, Chillicothe, IL (US); **Kevin F. Stremlau**, Peoria, IL (US); **Brian R. Janes**, Chillicothe, IL (US); **Thomas Fennell**, Kasson, MN (US); **Brian S. Underwood**, Monticello, IL (US)

4,418,636 A * 12/1983 Piper 116/28 R
4,491,336 A * 1/1985 Myers 280/124.154
4,531,781 A * 7/1985 Hunt et al. 298/22 P
D289,069 S * 3/1987 Ohno D21/580
D289,748 S 5/1987 Proeschl
4,684,152 A * 8/1987 Goodbary et al. 280/785
4,719,361 A * 1/1988 Brubaker 290/45
5,385,391 A * 1/1995 Dickerson 298/17 R
5,472,062 A * 12/1995 Nagai et al. 180/252

(Continued)

(73) Assignee: **Caterpillar Inc.**, Peoria, IL (US)

(**) Term: **14 Years**

(21) Appl. No.: **29/285,215**

(22) Filed: **Mar. 23, 2007**

(51) **LOC (9) Cl.** **08-10**

(52) **U.S. Cl.** **D12/15**

(58) **Field of Classification Search** D12/1,
D12/5, 22, 15, 93, 98, 196, 14; D15/10,
D15/25, 30, 33; 414/245, 685, 688, 722,
414/724, 493; 108/234, 641; 37/403, 413,
37/442, 443, 412; D21/558, 559, 562, 561

See application file for complete search history.

(56) **References Cited**

U.S. PATENT DOCUMENTS

2,796,141 A 6/1957 Schreiner
D184,217 S * 1/1959 Erlacher et al D12/15
D217,726 S * 6/1970 Cohn D21/554
D224,651 S 8/1972 Lorenz
3,713,666 A * 1/1973 Cheers et al. 280/124.177
D234,130 S * 1/1975 Kress D12/15
D235,528 S * 6/1975 Ahola D12/15
3,923,337 A * 12/1975 Kershaw et al. 296/183.2
3,938,238 A * 2/1976 Kershaw et al. 29/469
D240,613 S * 7/1976 Thomas et al. D12/15
3,977,489 A * 8/1976 Cole et al. 180/89.1
4,236,601 A * 12/1980 Naka 182/76
4,307,300 A * 12/1981 Kisami 307/9.1
4,325,444 A * 4/1982 Anami 180/346

OTHER PUBLICATIONS

Rigid Dumper, RD 32, Astra, English Sep. 2005 (3 pps.).

(Continued)

Primary Examiner—T. Chase Nelson
Assistant Examiner—Ania K. Dworzecka
(74) *Attorney, Agent, or Firm*—Michael Braunstein

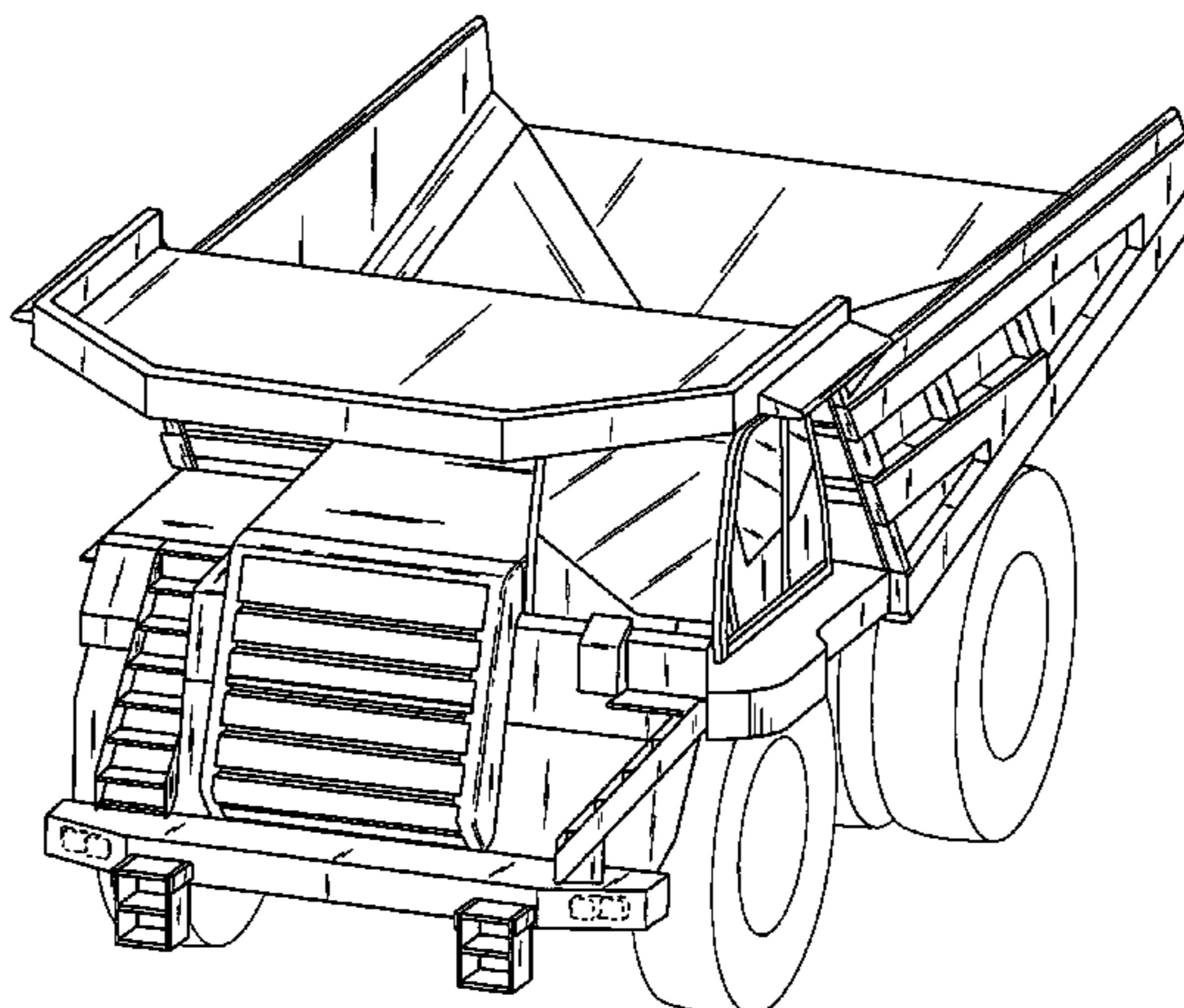
(57) **CLAIM**

The ornamental design for a portion of an off-highway truck, as shown and described.

DESCRIPTION

FIG. 1 is a front view of our new design;
FIG. 2 is a left view thereof;
FIG. 3 is a rear view thereof;
FIG. 4 is a right view thereof;
FIG. 5 is a top view thereof;
FIG. 6 is a left, front perspective view thereof; and,
FIG. 7 is a right, front perspective view thereof.
The bottom view does not form part of the claimed design and therefore is not disclosed.
The elements depicted in dashed lines form no part of the claimed design.

1 Claim, 7 Drawing Sheets



US D588,956 S

Page 2

U.S. PATENT DOCUMENTS

5,520,442 A * 5/1996 Kisami et al. 298/17 R
5,564,519 A * 10/1996 Katoh et al. 180/243
5,797,657 A * 8/1998 D'Amico et al. 298/17 R
6,086,076 A * 7/2000 Prem et al. 280/124.111
6,113,193 A * 9/2000 Kunzeman 298/1 H
6,175,788 B1 * 1/2001 Hasegawa et al. 701/29
D458,943 S 6/2002 Briggs et al.
D465,499 S 11/2002 Briggs et al.
6,542,851 B2 * 4/2003 Hasegawa et al. 702/182
6,588,539 B2 * 7/2003 Hinton et al. 180/372
6,612,774 B1 * 9/2003 Dulin 404/104
6,935,678 B1 * 8/2005 Laban et al. 296/183.2
7,100,256 B2 * 9/2006 D'Amico et al. 29/401.1
7,131,670 B2 * 11/2006 Kinoshita 280/856
7,207,621 B2 4/2007 D'Amico et al.
D545,473 S * 6/2007 Nunes D26/73
D560,553 S * 1/2008 Vance et al. D12/15

2002/0047300 A1 * 4/2002 Uematsu et al. 298/22 R
2002/0103623 A1 * 8/2002 Hasegawa et al. 702/184
2003/0010549 A1 * 1/2003 Hinton et al. 180/65.5
2004/0026959 A1 * 2/2004 Kostecki 296/183.2
2004/0036245 A1 * 2/2004 Mollhagen 280/124.128
2004/0102907 A1 * 5/2004 Lueschow et al. 702/33
2004/0104596 A1 * 6/2004 Bender 296/183.2
2005/0040695 A1 * 2/2005 Kinoshita 301/36.3
2005/0126056 A1 * 6/2005 Kostecki 37/379
2005/0278089 A1 * 12/2005 Lueschow 701/29
2006/0080818 A1 * 4/2006 D'Amico et al. 29/401.1
2007/0101818 A1 * 5/2007 Kabrich et al. 74/335
2007/0114092 A1 * 5/2007 Khalil et al. 180/406

OTHER PUBLICATIONS

New Rigid Dump Trucks, RD 28, RD 32, Astra, Italian/English,
A3500679-05-2005 (2 pps.).

* cited by examiner

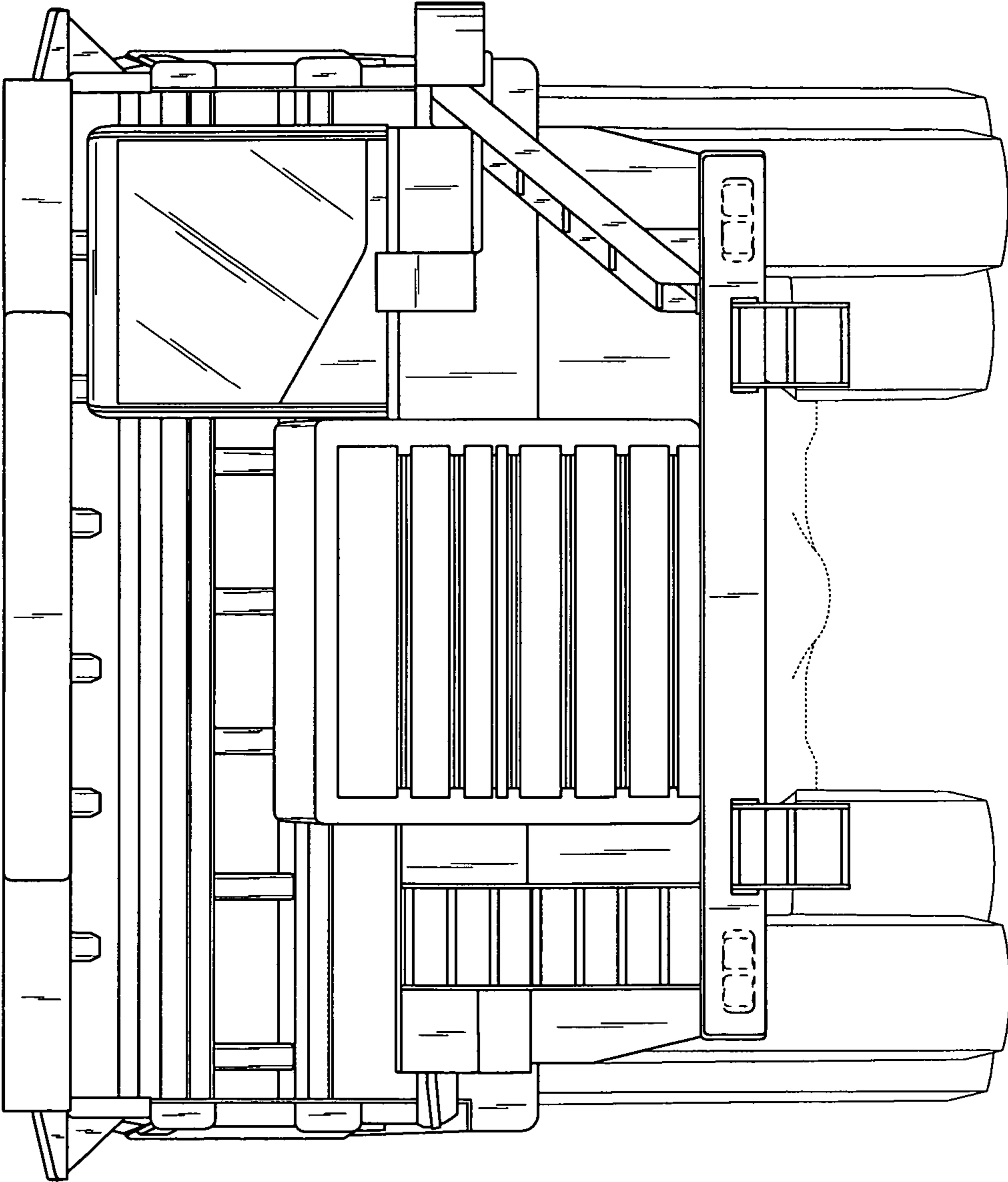


FIG. 1

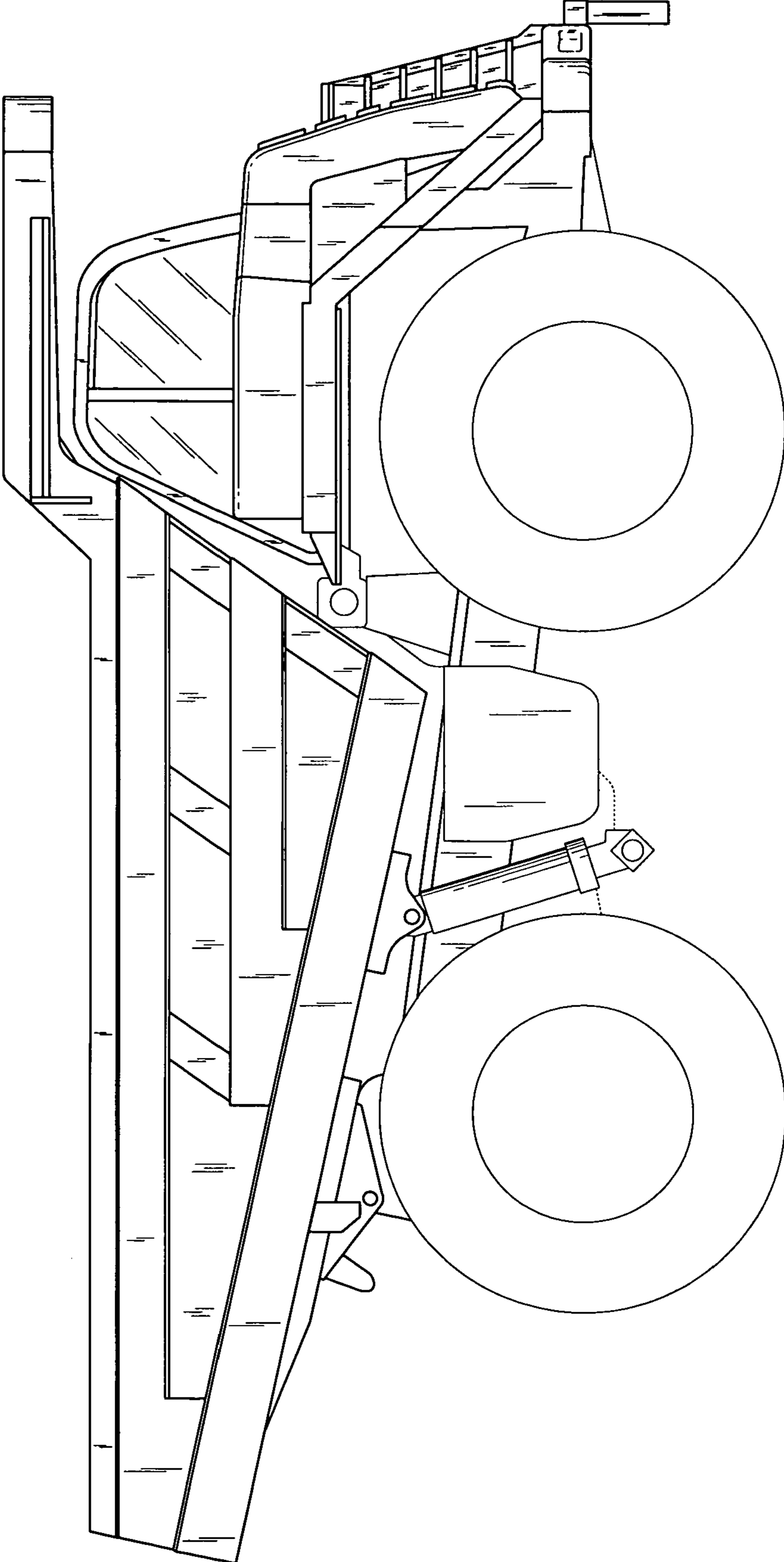


FIG. 2

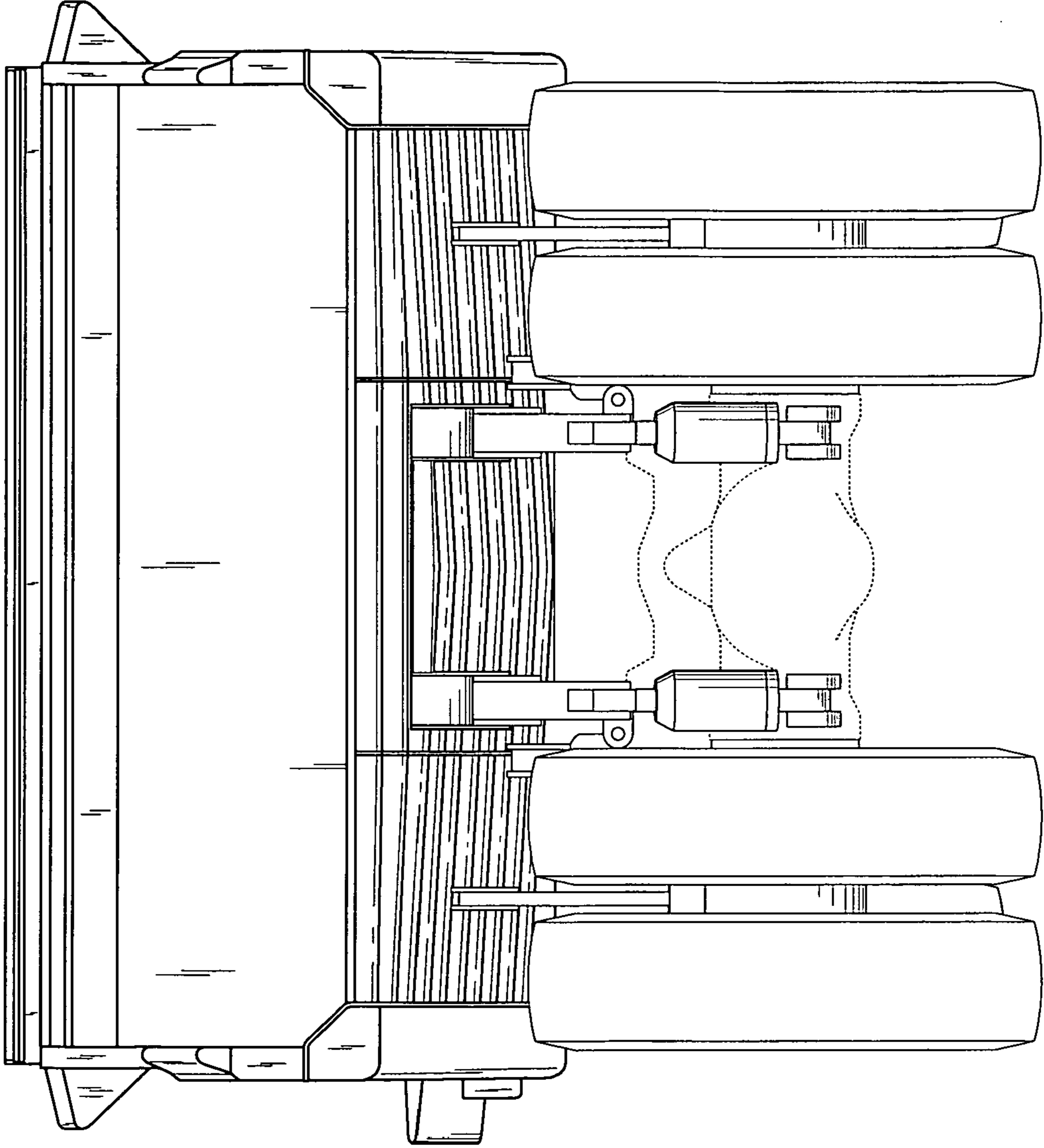
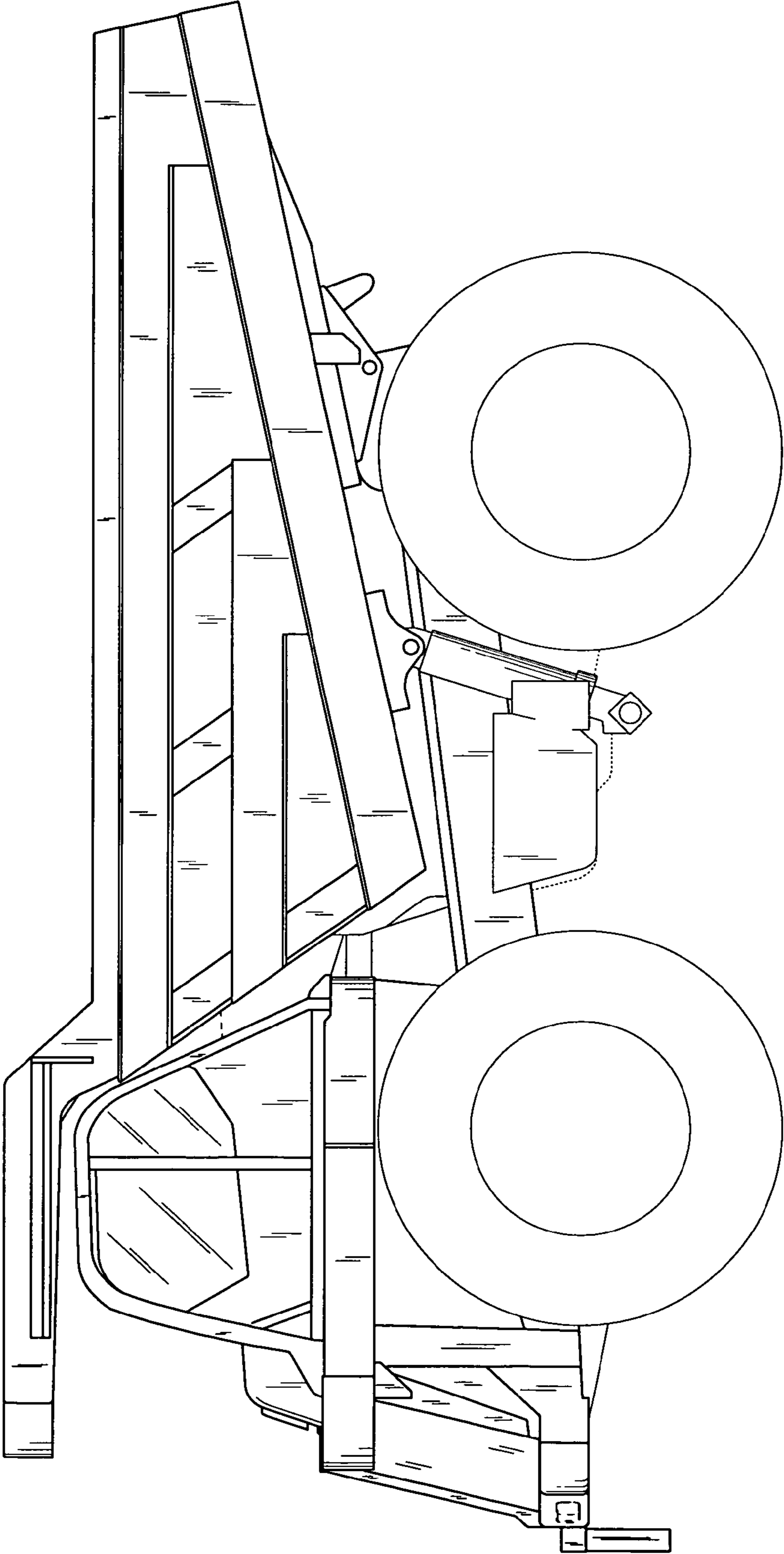


FIG. 3

FIG. 4



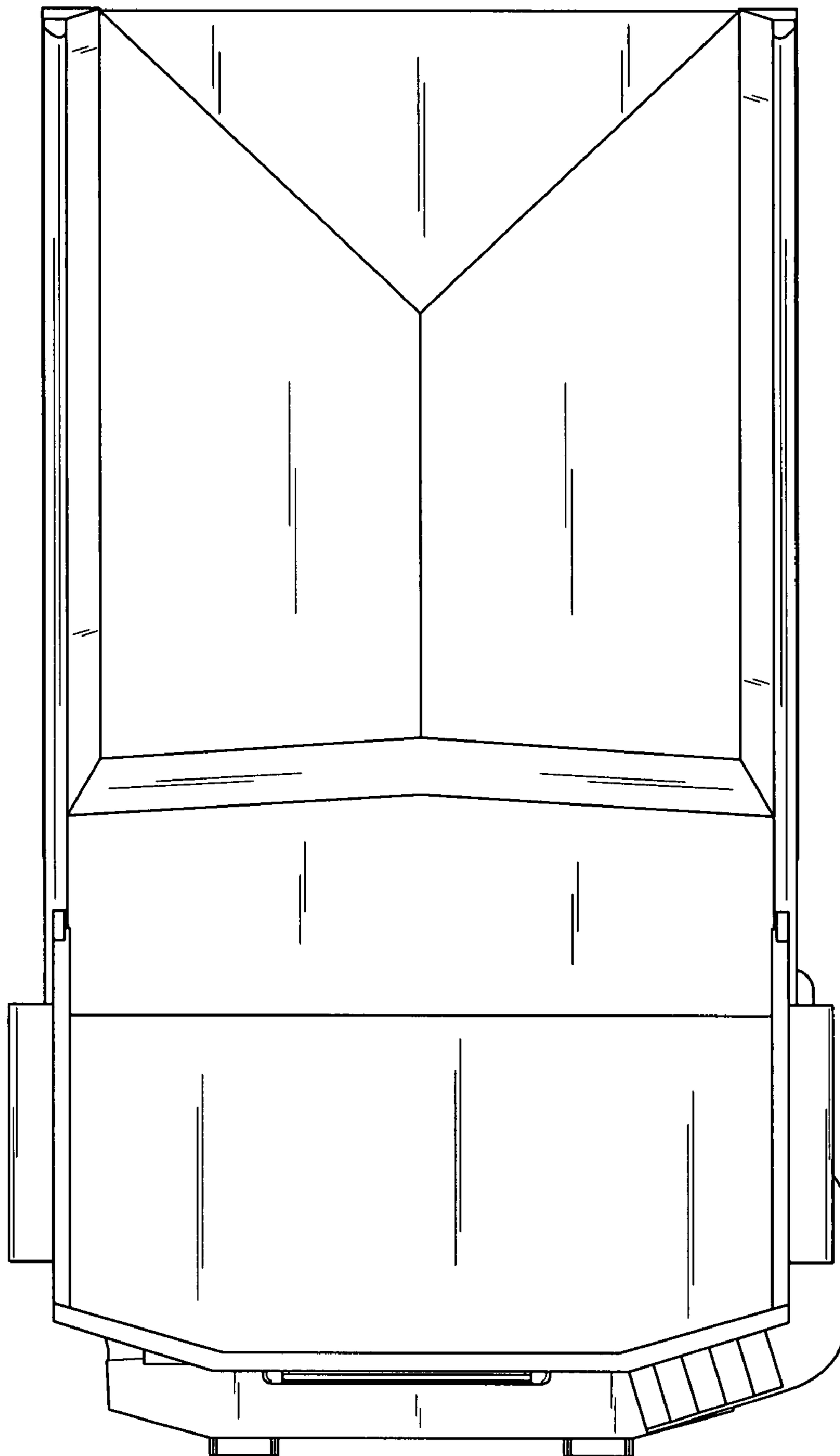
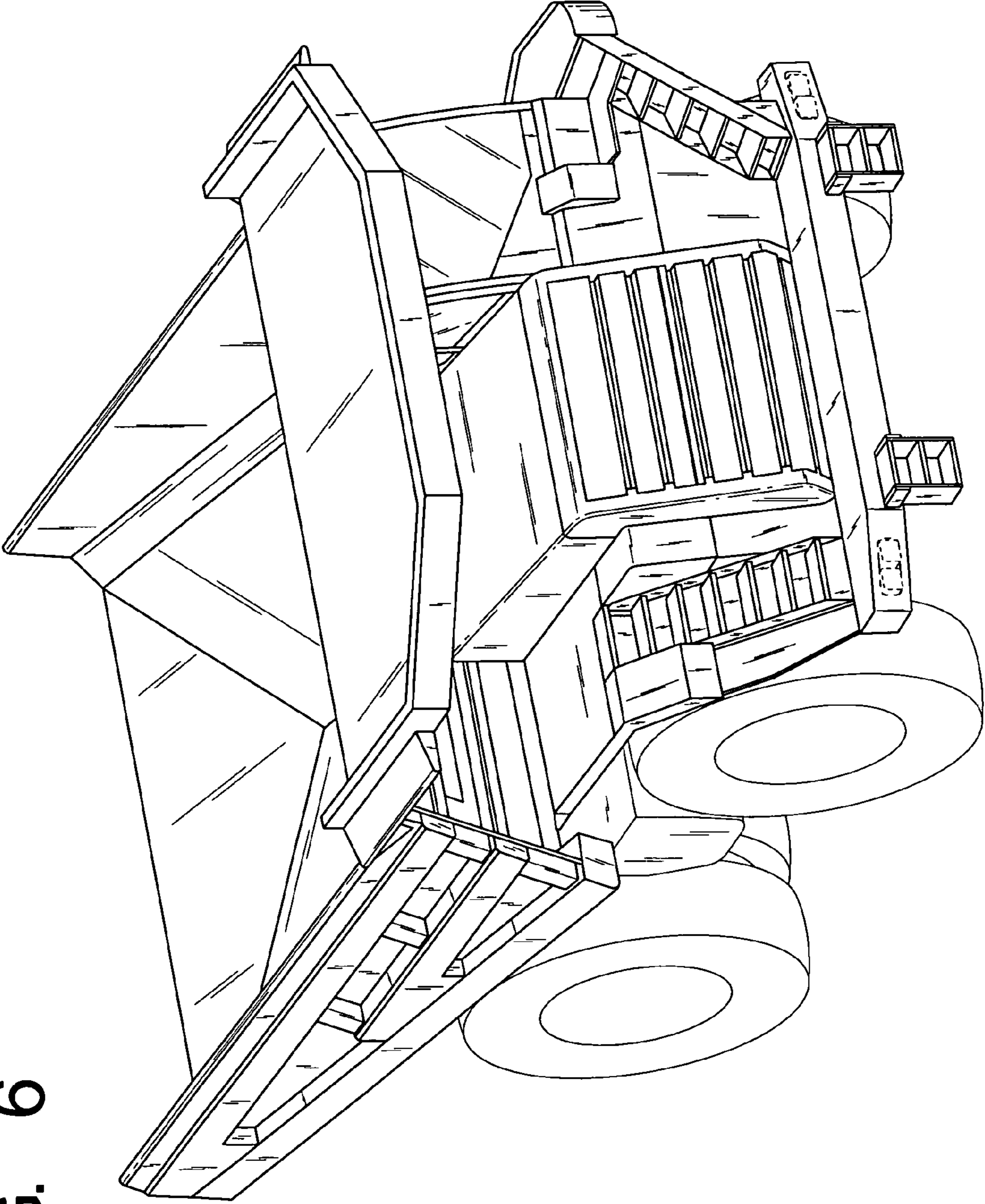


FIG. 5

FIG. 6



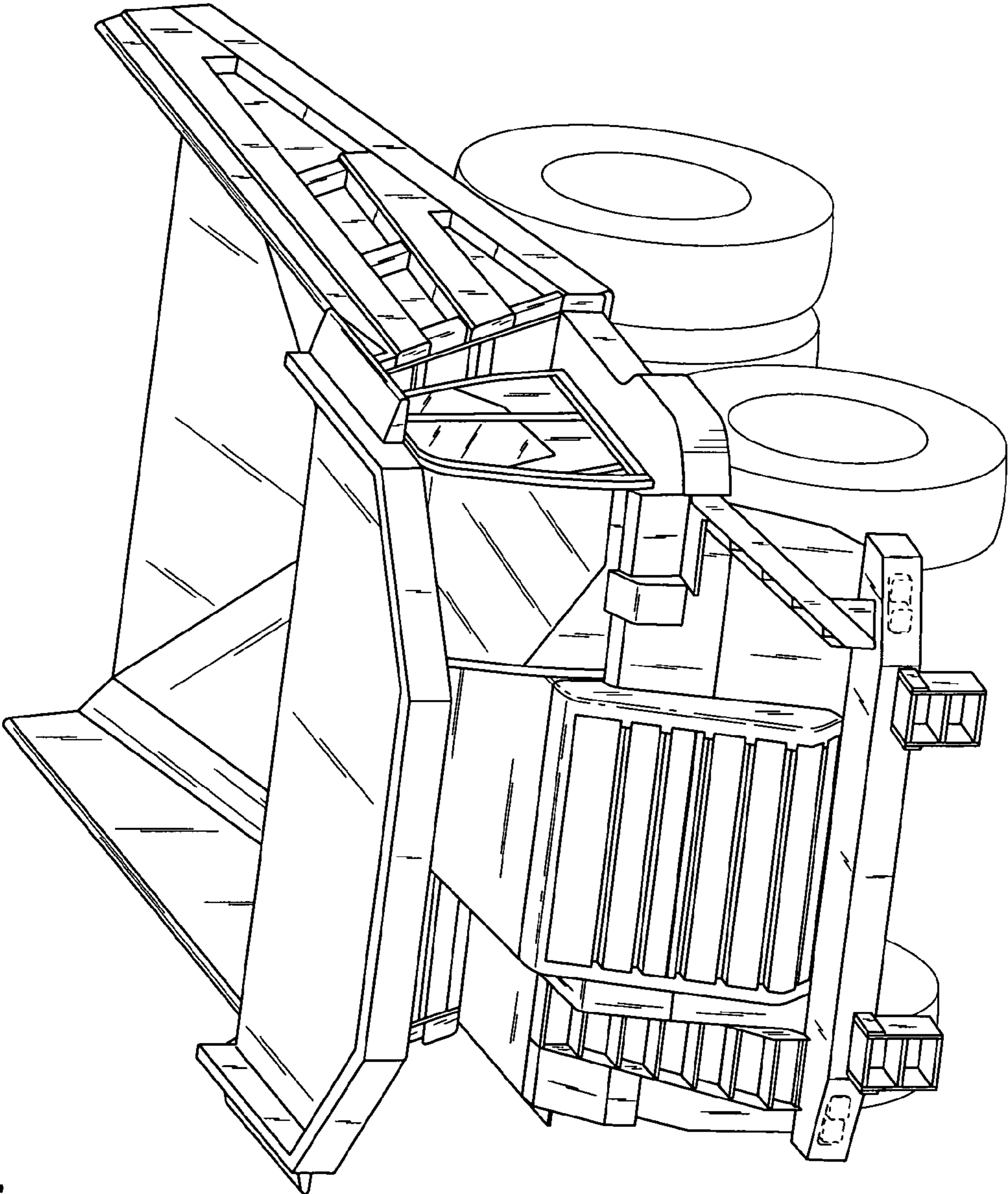


FIG. 7